

**YARWAY SEATLESS BLOW-OFF VALVES**  
 INSTRUCTION, OPERATION AND MAINTENANCE MANUAL

Installation instructions for packing rings

Remove the stopscrew, then remove the yoke nuts and yoke springs. Turn the handwheel to open the valve. This raises the plunger.

Turn the handwheel to close the valve. The yoke will rise. Turn the yoke so that the holes and studs are out of line and turn the handwheel to open the valve. The plunger is thus withdrawn from the body.

Remove the glands and old packing (using a Yarway puller).

Install new packing rings (see Figs. 1 or 2), glands and stopscrew in the body and replace the yoke (with the plunger screwed all the way up on the stem). Pull down the yoke nuts and place the springs under them.

FIGURE 1  
 Without support ring

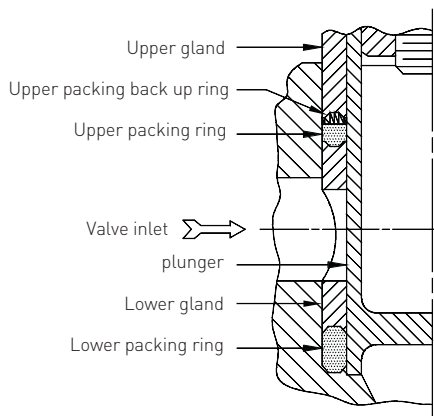
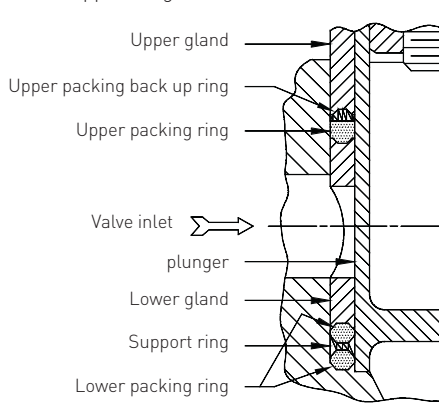


FIGURE 2  
 With support ring



**WARNING**

*Hot discharge from this product may cause severe burns. Discharge must be piped away or directed so that persons in the vicinity are not endangered. This product must be isolated, vented and cool to the touch before repairing or inspecting.*

# YARWAY SEATLESS BLOW-OFF VALVES

## INSTRUCTION, OPERATION AND MAINTENANCE MANUAL

---

### NOTE

Any malfunction of this product must be reported to the service department.  
Repair made to the product by unauthorized personnel will void the warranty.

### Right to know laws and OSHA standard 29CFR (1910.1200)

Material Safety Data Sheets on the following Yarway products:  
Valves, Steam traps and Strainers

The OSHA Hazard Communication Standard 29CFR 1910.1200, states that the standard does not apply to "articles." The standard defines an article as:  
"A manufactured item formed to a specific shape or design for a particular use which does not release or otherwise expose an employee to a hazardous chemical under normal conditions of use."  
The above named products fall within the definition of an "article", no Material Safety Data Sheets are available or are required. Our product is manufactured as an "end product."

If the product is a weld end the following applies.

### WARNING

*Materials used in manufacture of Yarway products are considered in a stable condition when shipped. However, under certain conditions purchasers could create potential hazardous conditions by their future operations.*

### CAUTION

*Welding, cutting, burning, machining or grinding of this product can generate toxic dust and fumes of potentially hazardous ingredients. The dust or fumes can cause irritation of the respiratory tract, nose, throat, skin and eyes. It may cause temporary or permanent respiratory disease in a small percentage of exposed individuals. Use moderate ventilation when grinding or welding. Avoid breathing dust, fumes or mist. Avoid prolonged skin contact with dust or mist. Maintain dust levels below OSHA and ACGIH levels. Use protective devices. Wash hands thoroughly after contact with dust before eating or smoking.*

Neither Emerson, Emerson Automation Solutions, nor any of their affiliated entities assumes responsibility for the selection, use or maintenance of any product. Responsibility for proper selection, use, and maintenance of any product remains solely with the purchaser and end user.

Yarway is a mark owned by one of the companies in the Emerson Automation Solutions business unit of Emerson Electric Co. Emerson Automation Solutions, Emerson and the Emerson logo are trademarks and service marks of Emerson Electric Co. All other marks are the property of their respective owners.

The contents of this publication are presented for informational purposes only, and while every effort has been made to ensure their accuracy, they are not to be construed as warranties or guarantees, express or implied, regarding the products or services described herein or their use or applicability. All sales are governed by our terms and conditions, which are available upon request. We reserve the right to modify or improve the designs or specifications of such products at any time without notice.