

July 2019

RELEASE RELAY (Slam Shuts DN 200 and 250mm)

CHARACTERISTICS

Identical to those of the OS2 (D103683X012) except for:
Max travel for the associated valve : **85 mm**

DIMENSIONS AND WEIGHTS

Table 1. Dimensions and Weights

		Type	Dimensions / mm			Weight / kg
			A	B	C	
BM	BM 1	for 1 BMS				4.7
	BM 2	for 2 BMS				4.7
BMS	162	Diaphragm	191	211	83	2.6
	71	Diaphragm	185	205	36	1.2
	27 or 17	Piston	214	234	36	2.3
	236	Bellows	212	232	36	2.4
	315	Bellows	233	253	36	2.8

For an OSD2 with 1 BMS add the weight of the BMS to that of the BM 1.
For an OSD2 with 2 BMS add the weight of the two BMS to that of the BM 2.

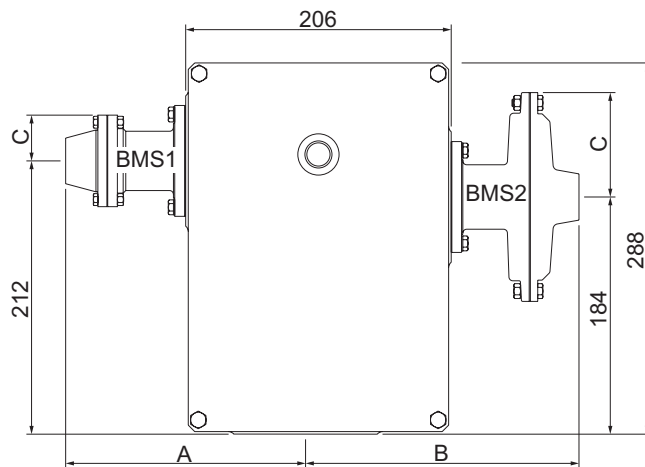


Figure 1. OSD2 Dimensions and Weights

Mechanism Box (BM)

DESCRIPTION AND SPARE PARTS

Table 2. Mechanism Box Assembly

Key	Description	OSD2 BMS1	OSD2 BMS2D
	Mechanism box	181 166	181 167
	Machined mechanism box	144 338	144 339
1	Cover O-ring		144 670
2	BS ring		461 178
3	Box / Connecting part O-ring		144 671
4	Sub-assembly mechanism		181 041
5	BMS / Mechanism box O-ring		142 931
	BS ring for BMS		461 150

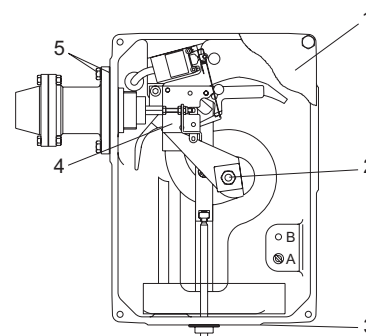


Figure 2. Mechanism Box for one BMS

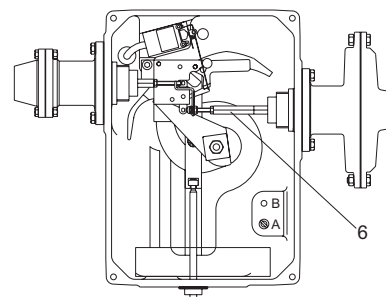


Figure 3. Mechanism Box for two BMS

CONNECTIONS

Table 3. BMS Connections

Non-connectable	Plastic vent with screen	1/4 NPT
Connectable	Link for tube 8/10	
Contact	Box exit	1/2 NPT

OPERATION

CONNECTIONS

MATERIALS

MAINTENANCE

OPTIONS

See D103683X012
OS2 instruction
manual

COMMISSIONING

- Nota :
- The position of the travel stop (fig. 2) depends on the type of equipment and its size, positions A or B according to the max. travel of the valve:
A = 75 to 85 mm travel, B = 60 to 70 mm travel
 - Interventions on the BM : the cover is held by 4 unremovable screws

Type OSD2

Safety Manometric Box (BMS)

DESCRIPTION AND SPARE PARTS

BMS1 See D103683X012 - OS2 instruction manual
 BMS2D The safety manometric box BMS2D consists of a BMS1 and a spacer (code: 144 673 (key 6, fig. 3))

DETECTION BMS

Table 3. Detection Configurations Available for BMS

		Activator	Max. only	Min. only	Max. & Min.
1 BMS	BMS1	Releasing screw	Active	Neutral	Active
		Hook	Neutral	Active	Active
2 BMS	BMS1	Releasing screw	Active		Active
		Releasing screw	Active	Neutral	Neutral
	BMS2D	Hook	Neutral	Active	Active

LEAD SEALING

Pass the lead wire through the head of the 2 screws

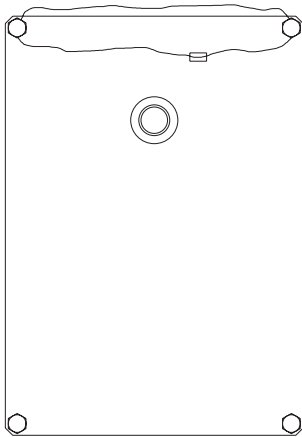


Figure 4. BMS Box Detail for Lead Sealing

Nota : in the case of a two BMS assembly, the BMS1 does not have a mini. hook.

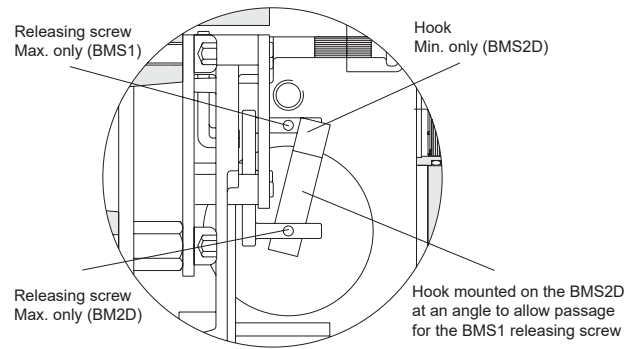


Figure 5. BMS Details

✉ Webadmin.Regulators@emerson.com

🔍 Fisher.com

📘 Facebook.com/EmersonAutomationSolutions

🌐 LinkedIn.com/company/emerson-automation-solutions

🐦 Twitter.com/emr_automation

Emerson Automation Solutions

Americas

McKinney, Texas 75070 USA
 T +1 800 558 5853
 +1 972 548 3574

Europe

Bologna 40013, Italy
 T +39 051 419 0611

Asia Pacific

Singapore 128461, Singapore
 T +65 6770 8337

Middle East and Africa

Dubai, United Arab Emirates
 T +971 4 811 8100

D103686X012 © 2017, 2019 Emerson Process Management Regulator Technologies, Inc. All rights reserved. 07/19.

The Emerson logo is a trademark and service mark of Emerson Electric Co. All other marks are the property of their prospective owners. Fisher™ is a mark owned by Fisher Controls International LLC, a business of Emerson Automation Solutions.

The contents of this publication are presented for informational purposes only, and while every effort has been made to ensure their accuracy, they are not to be construed as warranties or guarantees, express or implied, regarding the products or services described herein or their use or applicability. All sales are governed by our terms and conditions, which are available upon request. We reserve the right to modify or improve the designs or specifications of such products at any time without notice.

Emerson Process Management Regulator Technologies, Inc does not assume responsibility for the selection, use or maintenance of any product. Responsibility for proper selection, use and maintenance of any Emerson Process Management Regulator Technologies, Inc. product remains solely with the purchaser.

Francel SAS, 3 Avenue Victor Hugo, CS 80125, Chartres 28008, France
 SIRET 552 068 637 00057 APE 2651B, N° TVA : FR84552068637, RCS Chartres B 552 068 637,
 SAS capital 534 400 Euro

