

Types G200 and G201 Replacement Parts Sheet

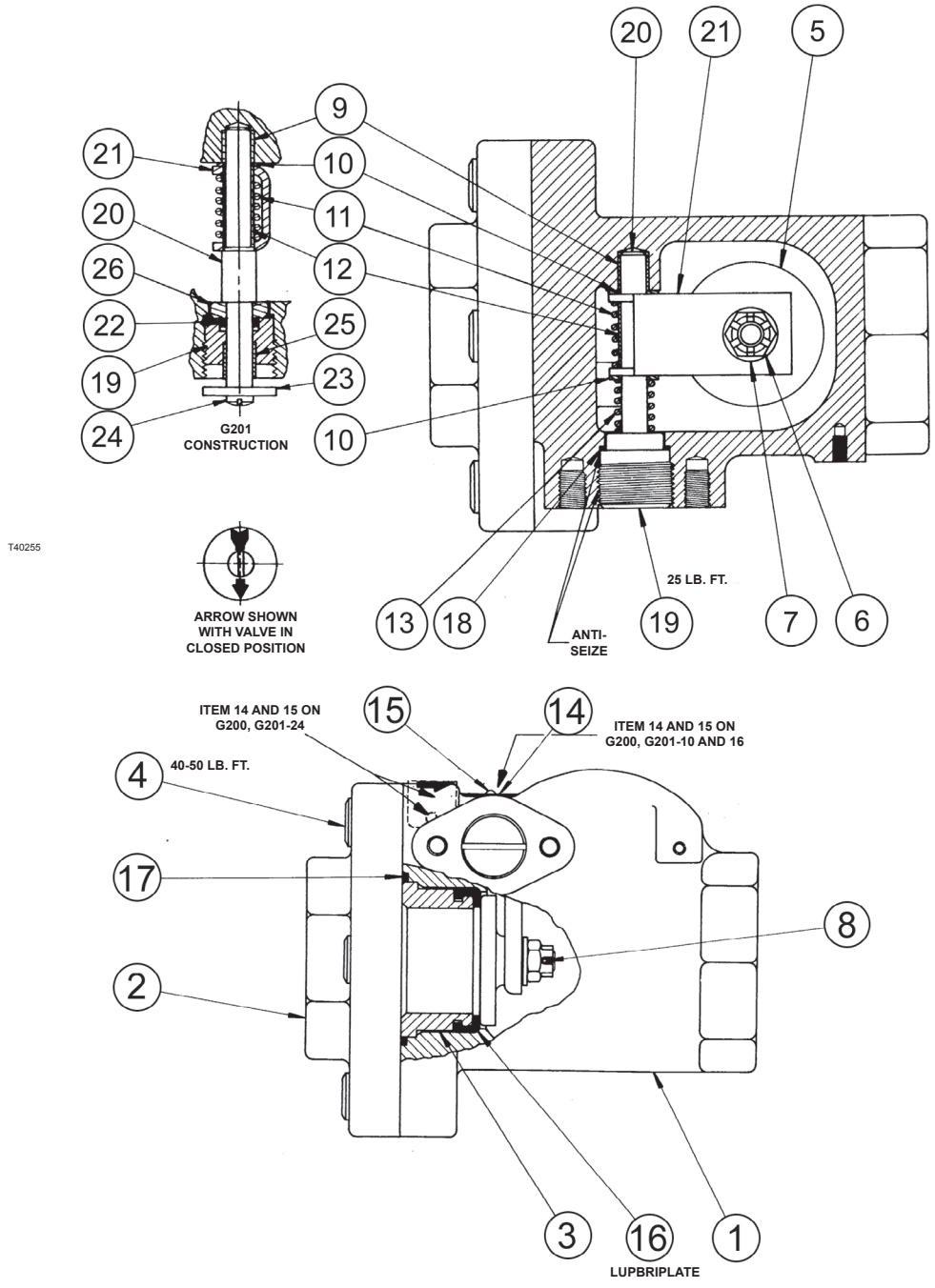


Figure 1. G200 Back Check Valve

Types G200 and G201

Parts List

KEY	DESCRIPTION	PART NUMBER					
		1 1/4-Inch NPT		2-Inch NPT		3-Inch NPT	
		G200	G201	G200	G201	G200	G201
1	Body	T40333X0012		T40245T0012		T80171T0012	
2	Flange	T20681T0012		T12783T0012		T20699T0012	
3*	Seat Ring	T12857T0012		T12548T0012		T12887T0012	
4	Cap Screw (4 required)	T12864T0012		1E760432992		-----	
4	Cap Screw (8 required)	-----	-----	-----	-----	1E760432992	
5	Poppet	T12882T0012		T12550T0012		T12952T0012	
6	Nut	T12929T0012		T12930T0012		T12930T0012	
7	Washer	T12861T0012		T12780T0012		T12780T0012	
8	Pin	T1241338992		T12933T0012		T12933T0012	
9	Bushing	T12551T0012					
10	Slip Disc (2 required)	T12781T0012	-----	T12781T0012	-----	T12781T0012	-----
10	Slip Disc	-----	T12781T0012	-----	T12781T0012	-----	T12781T0012
11	Spring	T12883T0012		T12785T0012		T12953T0012	
12	Tube	T12880T0012		T12544T0012		T12954T0012	
13	Spring	T1188637022	-----	T1188637022	-----	T1153537022	-----
14	Nameplate	Not Orderable					
15	Drive Screw (2 required)	1A368228982					
16*	Disc	T12858T0012		T12547T0012		T12891T0012	
17*	O-Ring	10A3800X032		1H8762X0022		T12759T0012	
18*	Gasket	T12782T0012		T12782T0012		T12782T0012	
19	Plug	T12554T0012	T12557T0012	T12554T0012	T12557T0012	T12554T0012	T12557T0012
20	Shaft	T12881T0012	T12254T0012	T12553T0012	T12749T0012	T12955T0012	T12956T0012
21	Lever	T12835T0012		T12674T0012		T20701T0012	
22*	X-Ring	-----	T12786T0012	-----	T12786T0012	-----	T12786T0012
23	Indicator	-----	T12787T0012	-----	T12787T0012	-----	T12787T0012
24	Screw	-----	1U205528982	-----	1U205528982	-----	1U205528982
25	Bushing	-----	T12551T0012	-----	T12551T0012	-----	T12551T0012
26	Spacer	-----	T12827T0012	-----	T12827T0012	-----	T12827T0012
27	Instruction Manual	D450038T012					

* Recommended Replacement Part

LP-Gas Equipment

Emerson Process Management
Regulator Technologies, Inc.

USA - Headquarters
McKinney, Texas 75069-1872 USA
Telephone: 1 (800) 558-5853
Telephone: 1 (972) 548-3574

For further information visit www.fisherregulators.com/lp

The Emerson logo is a trademark and service mark of Emerson Electric Co. All other marks are the property of their prospective owners. Fisher is a mark owned by Fisher Controls, Inc., a business of Emerson Process Management.

The contents of this publication are presented for informational purposes only, and while every effort has been made to ensure their accuracy, they are not to be construed as warranties or guarantees, express or implied, regarding the products or services described herein or their use or applicability. We reserve the right to modify or improve the designs or specifications of such products at any time without notice.

Emerson Process Management does not assume responsibility for the selection, use or maintenance of any product. Responsibility for proper selection, use and maintenance of any Emerson Process Management product remains solely with the purchaser.



EMERSON
Process Management