

AVENTICS GmbH
 Ulmer Straße 4
 30880 Laatzen, GERMANY
 Phone +49 (0) 5 11-21 36-0
 Fax: +49 (0) 511-21 36-2 69
 www.aventics.com
 info@aventics.com

AVENTICS 

AVENTICS 

Montageanleitung | Assembly instructions | Mode d'emploi |
 Istruzioni di montaggio | Instrucciones de montaje | Monteringsanvisning

Sensorbefestigung
 Sensor mounting
 Fixation de capteur
 Fissaggio sensore
 Fijación de sensor
 Sensorfäste

CB1

R412020606/02.2016,
 Replaces: 08.2014, DE/EN/FR/IT/ES/SV

Further addresses:
 www.aventics.com/contact

The data specified above only serve to describe the product. No statements concerning a certain condition or suitability for a certain application can be derived from our information. The given information does not release the user from the obligation of own judgement and verification. It must be remembered that our products are subject to a natural process of wear and aging.

An example configuration is depicted on the title page. The delivered product may thus vary from that in the illustration.

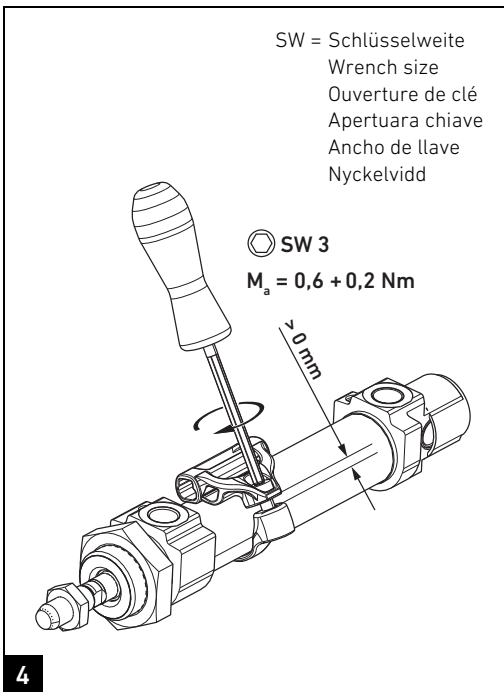
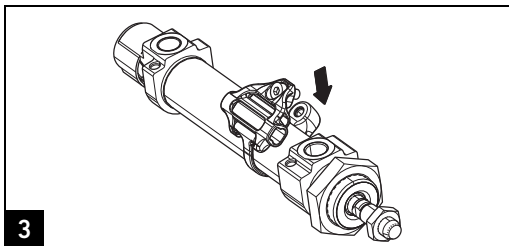
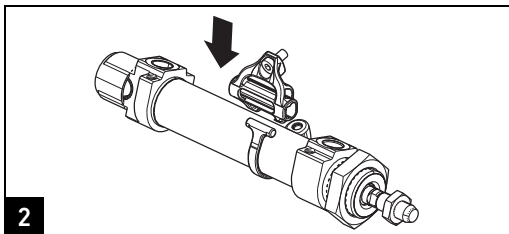
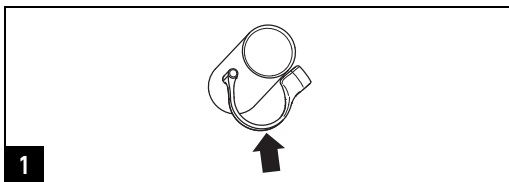
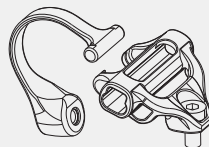
Translation of the original operating instructions. The original operating instructions were created in the German language.

R412020626-BAL-001-AD/02.2016
 Subject to modifications. © All rights reserved by AVENTICS GmbH, even and especially in cases of proprietary rights applications. It may not be reproduced or given to third parties without its consent.


für Serie/for Series/pour Série/per Serie/para Serie/för Serie



Lieferumfang
 Delivery contents
 Fourniture
 Fornitura
 Volumen de suministro
 Leveransomfattning

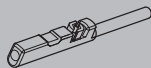


SW = Schlüsselweite
 Wrench size
 Ouverture de clé
 Apertura chiave
 Ancho de llave
 Nyckelvidd

 SW 3
 $M_a = 0,6 + 0,2 \text{ Nm}$

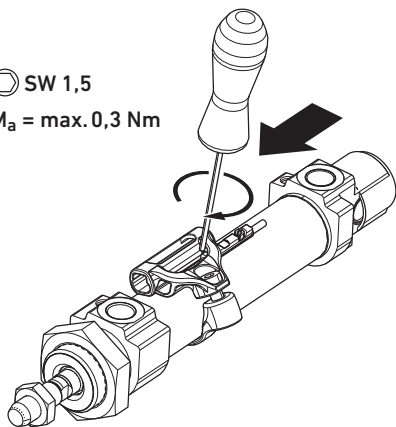
> 0 mm

ST4



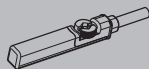
⊙ SW 1,5

$M_a = \text{max. } 0,3 \text{ Nm}$

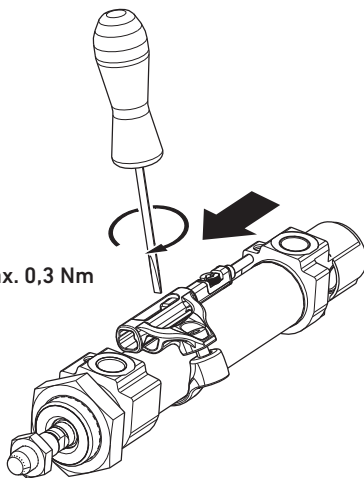


5

ST6

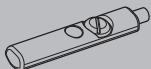


$M_a = \text{max. } 0,3 \text{ Nm}$

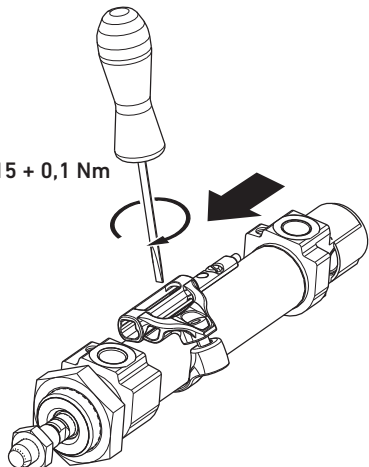


5

ST6



$M_a = 0,15 + 0,1 \text{ Nm}$



5

SW = Schlüsselweite
Wrench size
Ouverture de clé
Apertura chiave
Ancho de llave
Nyckelvidd