

JP1

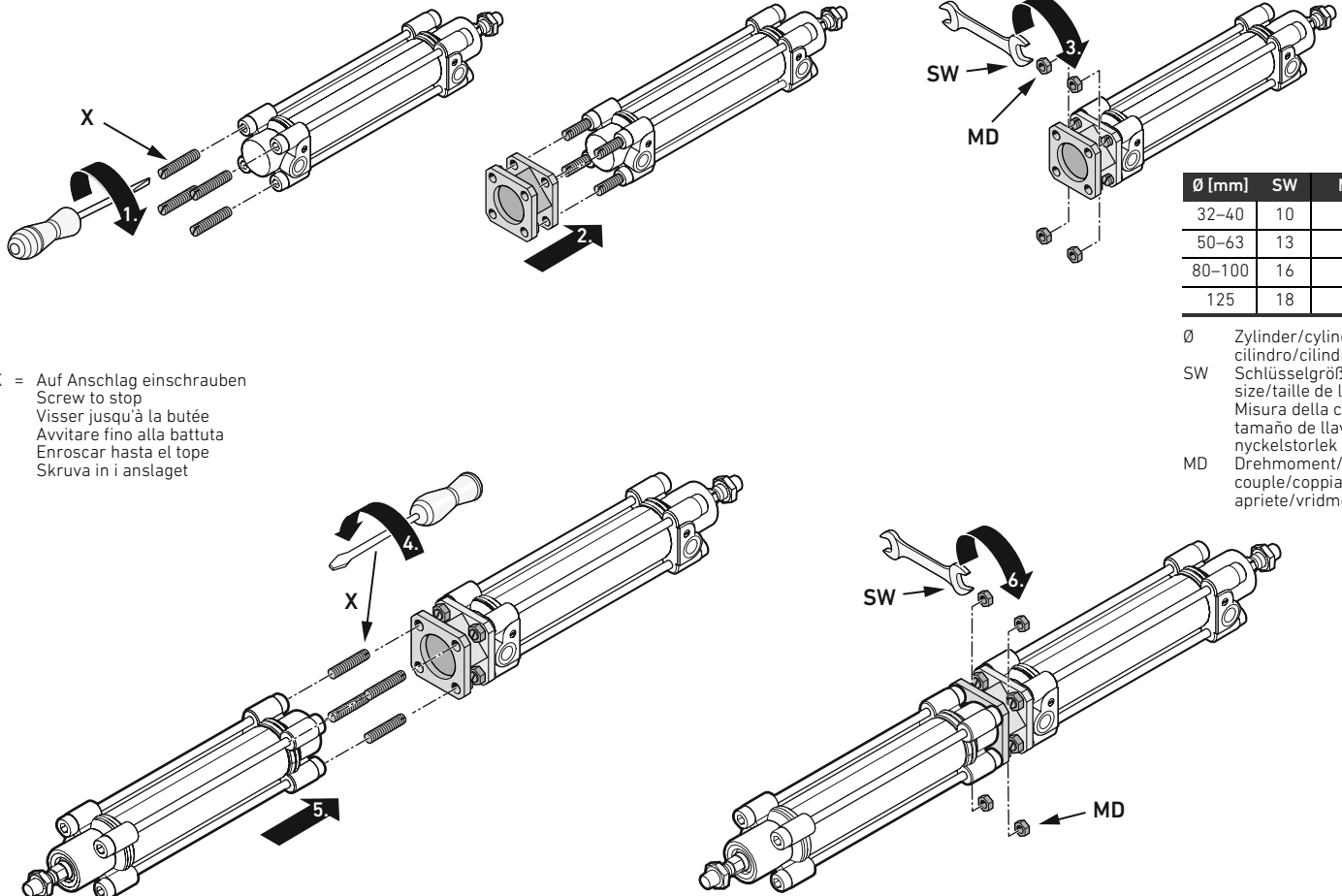
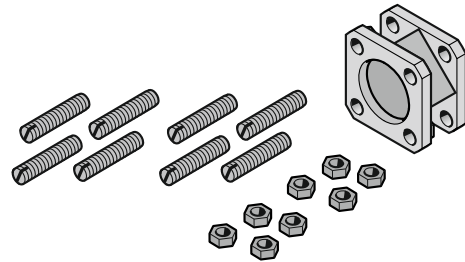
1829927207/12.2014
 Replaces: -, DE/EN/FR/IT/ES/SV

The data specified above only serve to describe the product. No statements concerning a certain condition or suitability for a certain application can be derived from our information. The given information does not release the user from the obligation of own judgement and verification. It must be remembered that our products are subject to a natural process of wear and aging.

An example configuration is depicted on the title page. The delivered product may thus vary from that in the illustration.

Translation of the original operating instructions. The original operating instructions were created in the German language.

1829927207-BDL-001-AA/12.2014
 Subject to modifications. © All rights reserved by AVENTICS GmbH, even and especially in cases of proprietary rights applications. It may not be reproduced or given to third parties without its consent.



X = Auf Anschlag einschrauben
 Screw to stop
 Visser jusqu'à la butée
 Avvitare fino alla battuta
 Enroscar hasta el tope
 Skrúva in i anslaget

Ø [mm]	SW	MD [Nm]
32-40	10	5
50-63	13	10
80-100	16	20
125	18	25

Ø Zylinder/cylinder/vérin/
 cilindro/cilindro/cylinder
 SW Schlüsselgröße/wrench
 size/taille de la clé/
 Misura della chiave/
 tamaño de llave/
 nyckelstorlek
 MD Drehmoment/torque/
 couple/coppia/par de
 apriete/vridmoment