

Fisher™ FIELDVUE™ 4400 Digital Position Monitor and Magnet Array Dimensions

4400 Envelope Dimensions Figure 1

Magnet Arrays⁽¹⁾ Figure 2

Magnet Array Dimensional drawings:

SStem #7 Figure 3
7 mm (1/4 inch)

SStem #19 Figure 4
19 mm (3/4 inch)

SStem #25 Figure 5
25 mm (1 inch)

SStem #38 Figure 6
38 mm (1-1/2 inch)

SStem #50 Figure 7
50 mm (2 inch)

SStem #110 Figure 8
110 mm (4-1/8 inch)

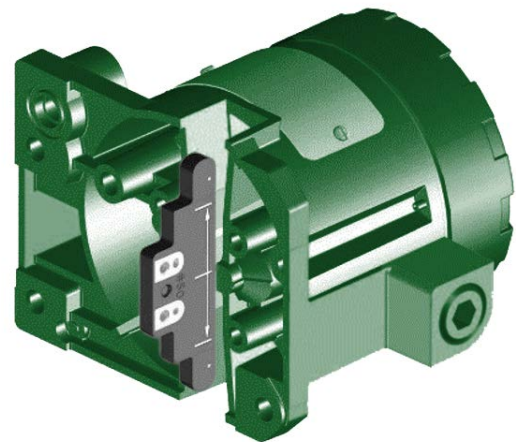
SStem #210 Figure 9
210 mm (8-1/4 inch)

RShaft #1 / LRC⁽²⁾ Figure 10
Fisher 2052 Size 2 & 3
1051/1052 Size 40-70
1061 Size 30-100
Sliding Stem > 210 mm (8.25 inches)

RShaft #2 / LRC⁽²⁾ Figure 10
2052 Size 1, 1051/1052 Size 20-33

RShaft End Figure 11
90 degree

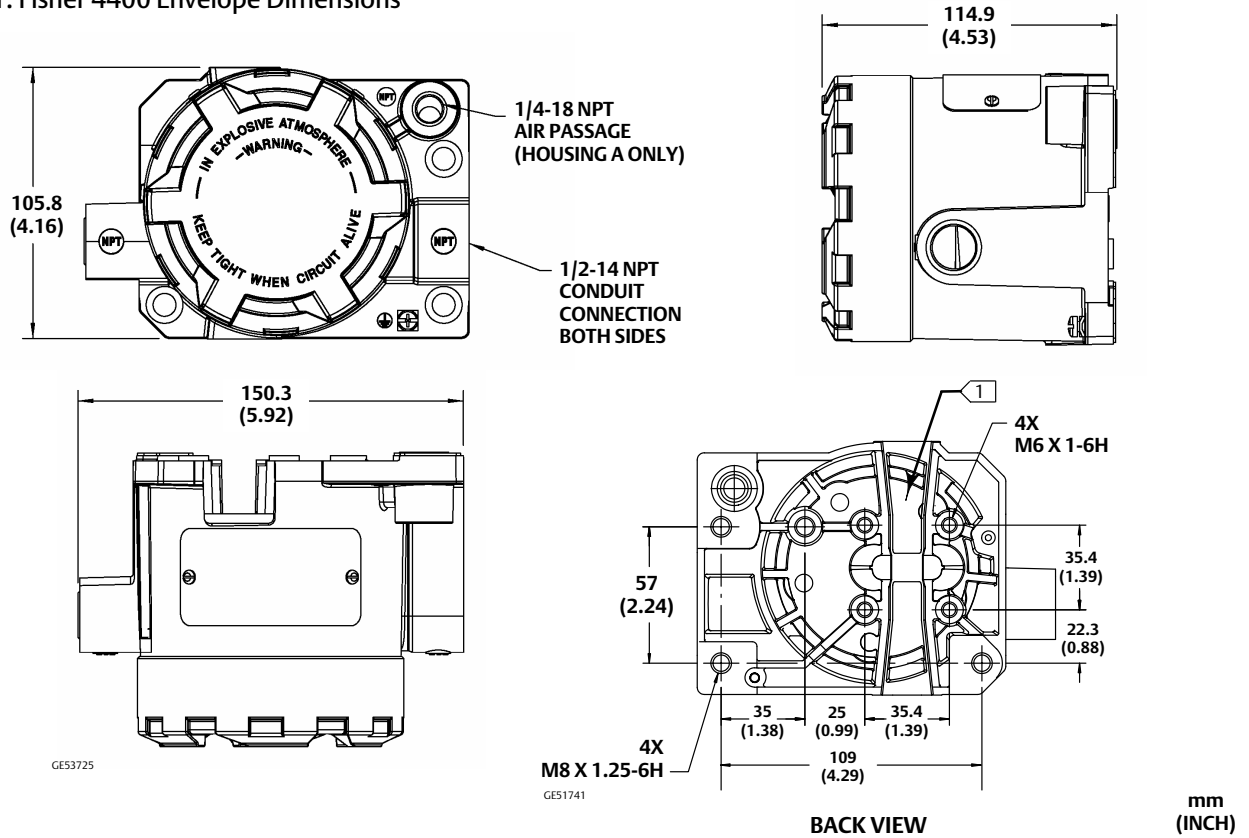
Related Documents Page 8



BACK VIEW WITH MAGNET ARRAY

1. Linear magnet array width dimensions are shown in figure 6.
2. Linear Roller Cam.

Figure 1. Fisher 4400 Envelope Dimensions



1 Housing insert for SSTEM #210 magnet array (figure 9) inserted here.

Magnet Arrays

Figure 2. Magnet Arrays

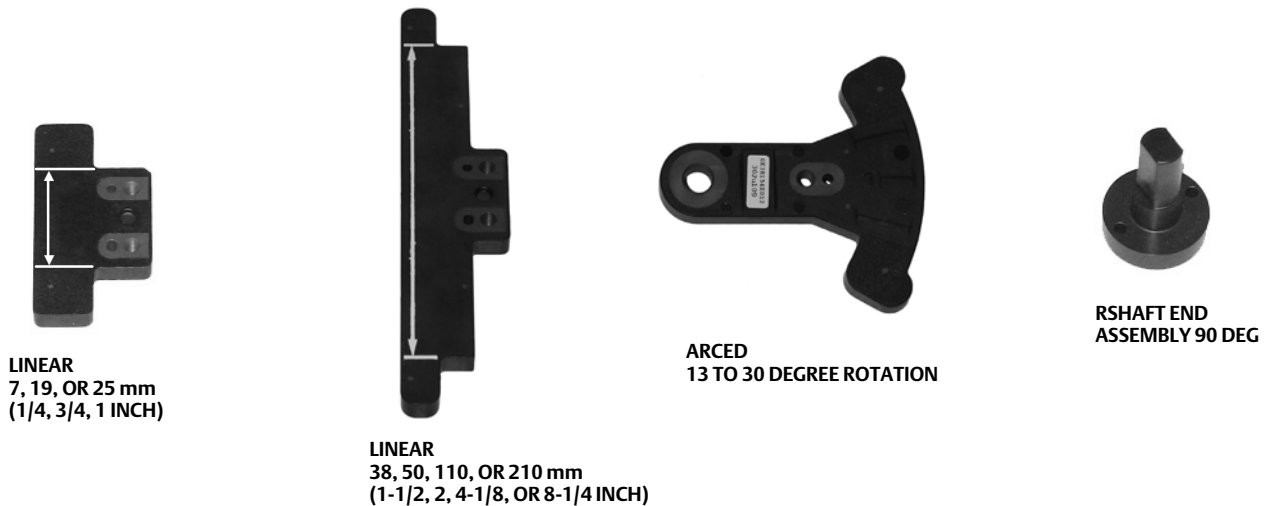
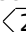


Figure 3. SStem #7 Magnet Array
(Also see  in figure 6)

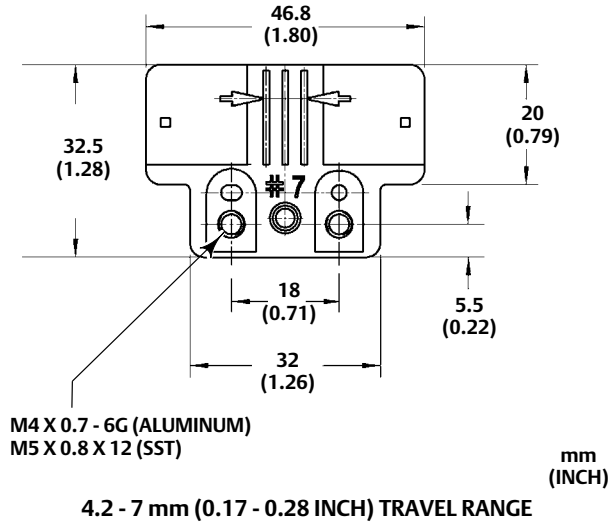



Figure 4. SStem #19 Magnet Array
(Also see  in figure 6)

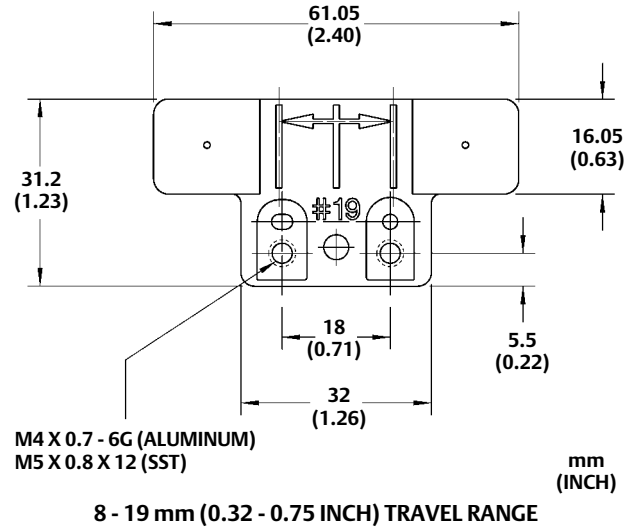



Figure 5. SStem #25 Magnet Array (also see  in figure 6)

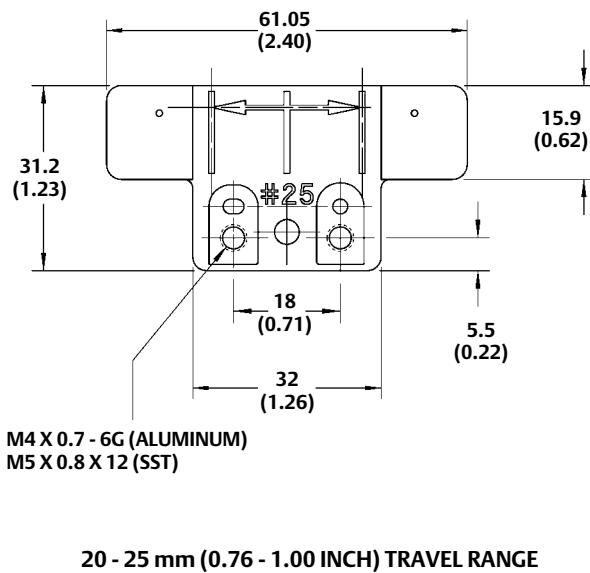
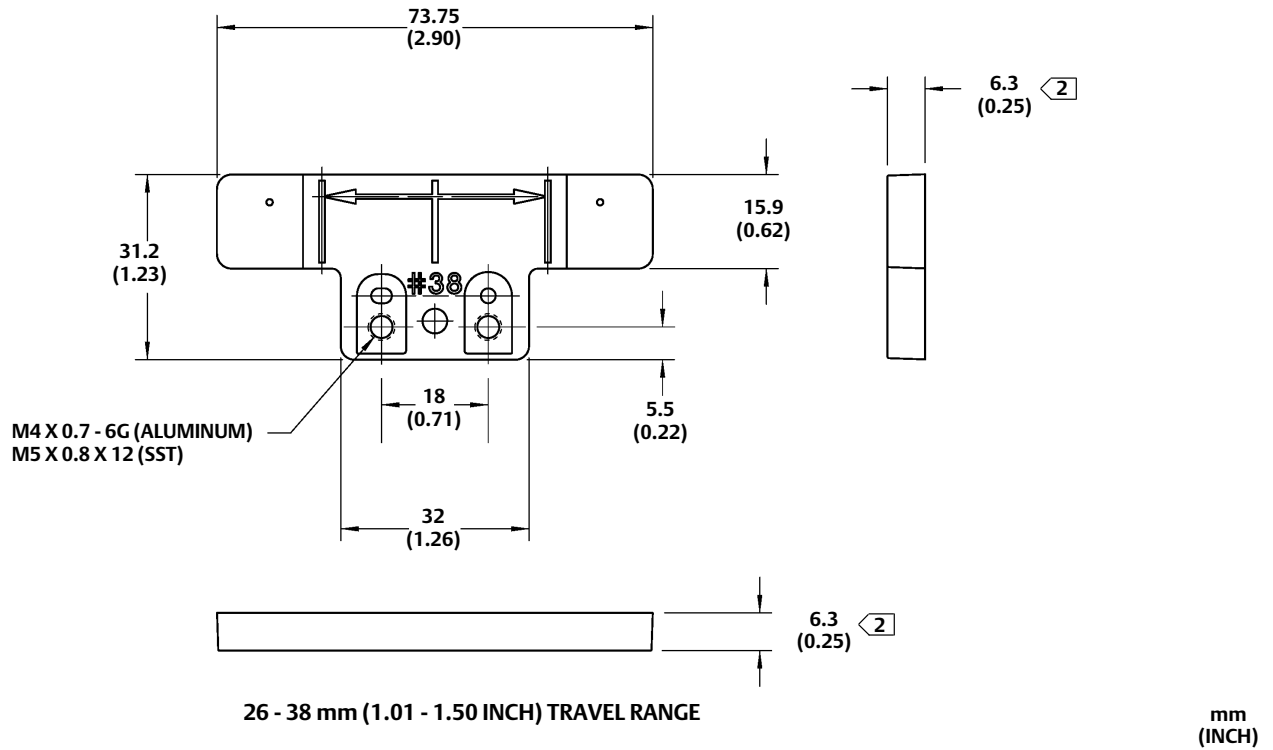
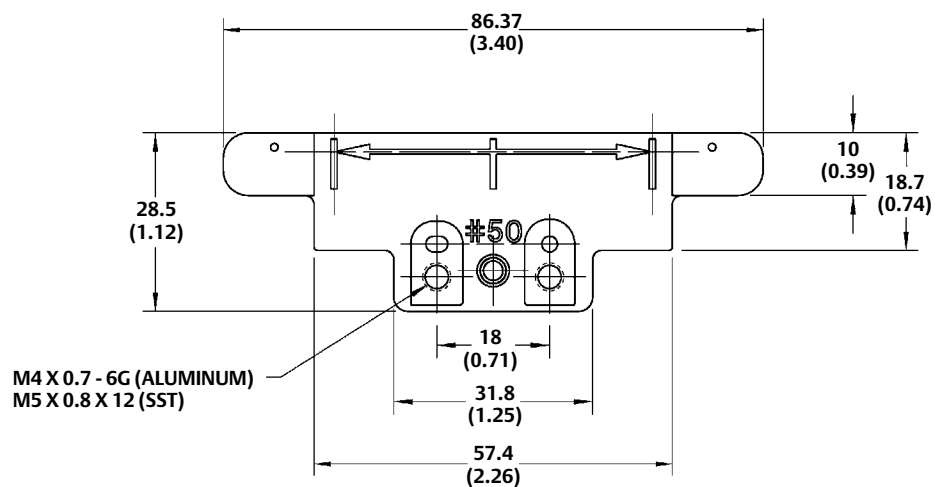


Figure 6. SStem #38 Magnet Array



2 Linear magnet array width dimensions.

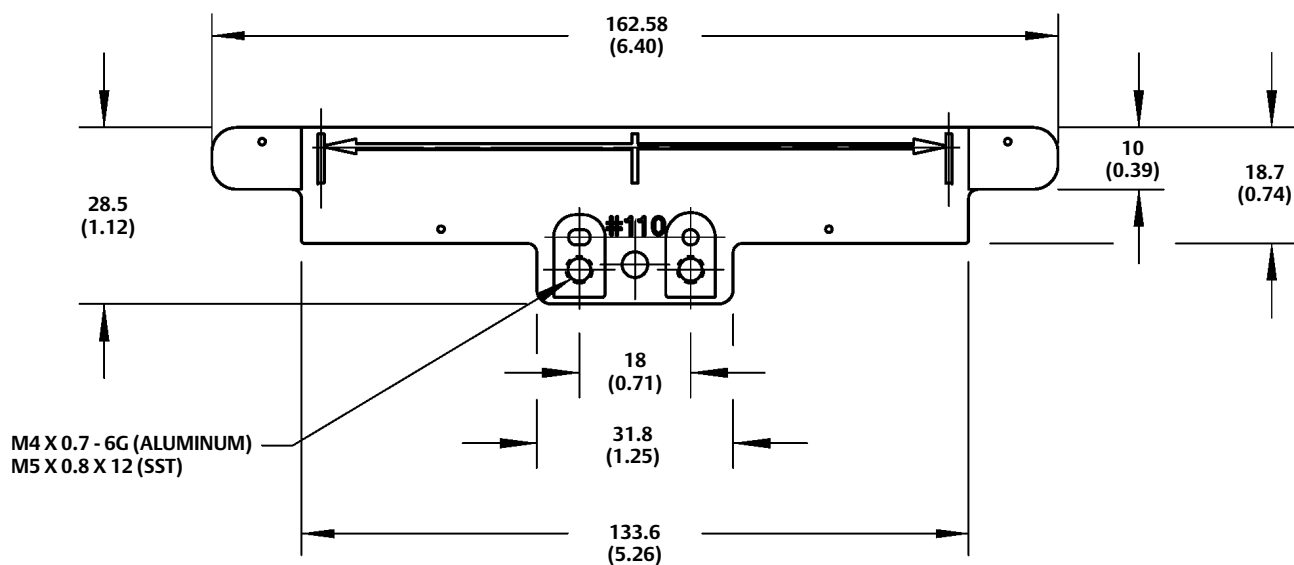
Figure 7. SStem #50 Magnet Array (also see  in figure 6)



39 - 50 mm (1.51 - 2.00 INCH) TRAVEL RANGE

mm
(INCH)

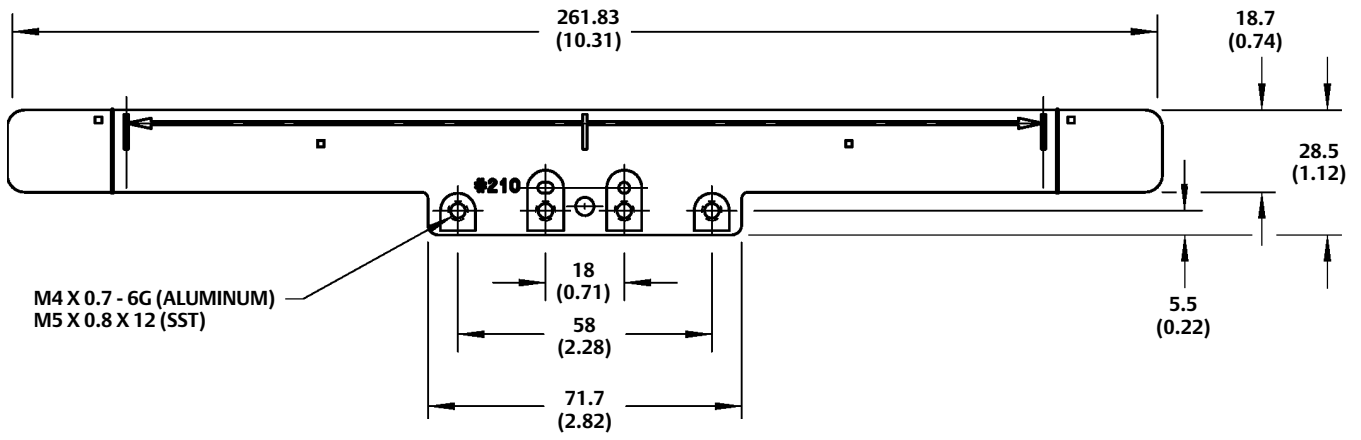
Figure 8. SStem #110 Magnet Array (also see  in figure 6)



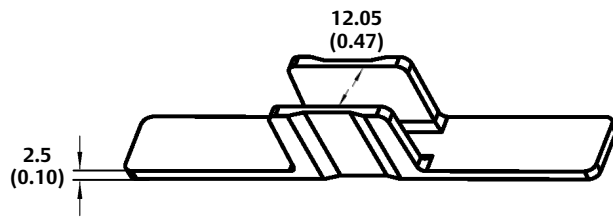
51 - 110 mm (2.01 - 4.125 INCH) TRAVEL RANGE

mm
(INCH)

Figure 9. SStem #210 Magnet Array (also see ◀2 in figure 6)



111 - 210 mm (4.126 - 8.25 INCH) TRAVEL RANGE

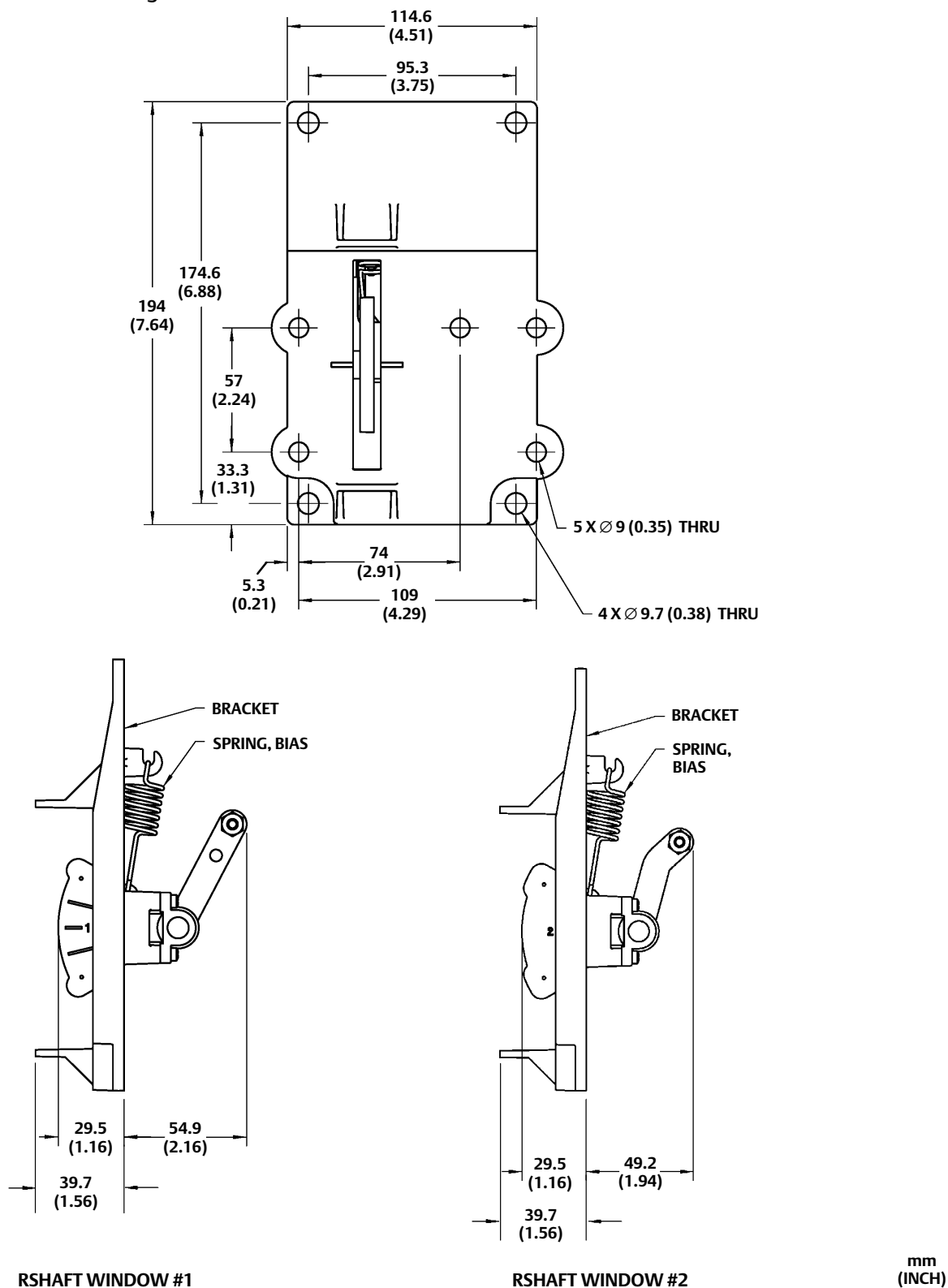


HOUSING INSERT FOR SSTEM #210 MAGNET ASSEMBLY ◀1

mm
(INCH)

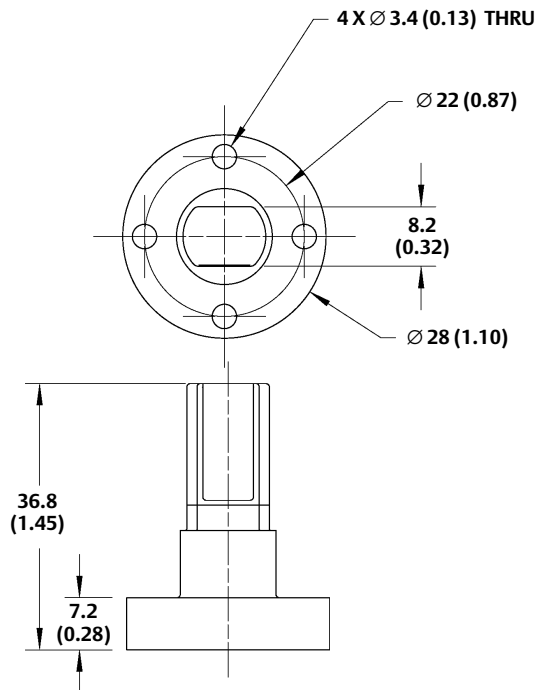
◀1 Refer to BACK VIEW of figure 1 for housing insert placement.

Figure 10. RShaft Window Magnet Assemblies



mm
(INCH)

Figure 11. RShaft End Mount Magnet Assembly



mm
(INCH)

Related Documents

- Bulletin 62.3:4400
Fisher 4400 Digital Position Transmitter
[D104739X012](#)
- Fisher 4400 Digital Position Transmitter
Instruction Manual [D104738X012](#)

Documents are available from your [Emerson sale office](#)
or at [Fisher.com](#)

Neither Emerson, nor any of its affiliated entities assume responsibility for the selection, use or maintenance of any product. Responsibility for proper selection, use, and maintenance of any product remains solely with the purchaser and end user.

Fisher is a mark owned by one of the companies in the Emerson business unit of Emerson Electric Co. Emerson and the Emerson logo are trademarks and service marks of Emerson Electric Co. All other marks are the property of their respective owners.

The contents of this publication are presented for informational purposes only, and while every effort has been made to ensure their accuracy, they are not to be construed as warranties or guarantees, express or implied, regarding the products or services described herein or their use or applicability. All sales are governed by our terms and conditions, which are available upon request. We reserve the right to modify or improve the designs or specifications of such products at any time without notice.

Emerson

Marshalltown, Iowa 50158 USA
Sorocaba, 18087 Brazil
Cernay, 68700 France
Dubai, United Arab Emirates
Singapore 128461 Singapore

[www.Fisher.com](#)

