

Fisher™ FIELDVUE™ Non-Contact Mounting Kit Selection Guide

This guide supports the selection of mounting kits for FIELDVUE instruments that use linkage-less non-contacting feedback technology. Designs are available to suit the full-range of Fisher control valves and an extensive list of third-party control valve OEM's.

If you are unable to identify the exact mounting kit required, contact your [Emerson sales office](#) for support. Our extensive mounting kit library contains over 1000+ additional kits not listed in this guide and our sales teams can support the creation of new mounting kit designs if necessary.

Reliability

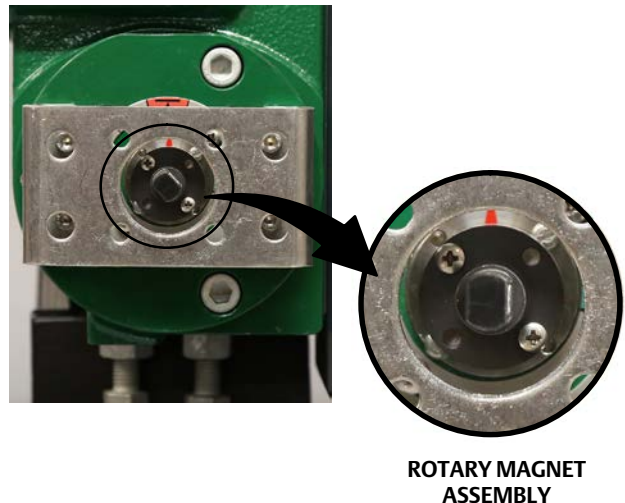
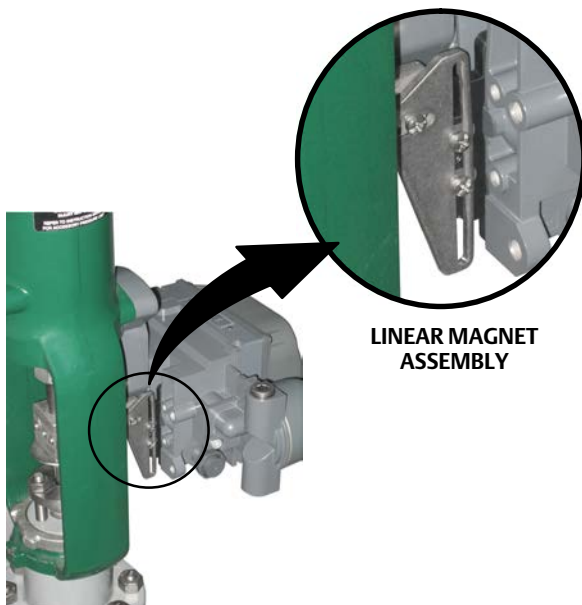
- **Rigid, Rugged Mounting Kit Designs**—Our mounting kits are uniquely designed to offer maximum rigidity and low vibration, ensuring high reliability for optimum control of the final element.

- **Linkage-less Non-Contact Position Feedback**—High-performance contactless linkage-less feedback technology eliminates physical contact between the valve stem and the instrument. No mechanical parts or feedback arms equals no wear and greater resistance to environmental effects for increased equipment reliability.

Simple and Flexible

The simplicity of our contactless linkage-less feedback technology allows these instruments to be mounted on any type of pneumatic valve with ease.

- **Mounting kit complexity is significantly reduced** compared to devices with mechanical feedback technology, allowing a small number of optimized kits to cover many control valve models.



EXAMPLES OF LINKAGE-LESS FEEDBACK SYSTEM

Mounting Kit Selection

Consider the following points when choosing your mounting kit from the following pages:

1. Aluminum instruments may be used with either standard or 316 stainless steel mounting kits.
2. Stainless steel instruments **MUST** be used with 316 stainless steel mounting kits.
3. For linear (sliding-stem) valves, select the smallest magnet assembly that covers the travel of the valve. The use of unnecessarily long magnet assemblies may impact control performance of the valve.
4. Mounting kits may be purchased without a magnet assembly by selecting the Magnet Assembly code “-XX” if a “▲” is shown in the Mtg Kit ONLY column.
5. Magnet assemblies may be purchased separately by selecting Mounting Kit code “XXXX” along with the required Magnet Assembly code, for example, -S4.

If you are unable to identify the exact mounting kit required, contact your [Emerson sales office](#) for support.

Selecting your kit

Refer to table 1 and 2 for Standard Kits for aluminum instruments.

Refer to table 3 and 4 for Stainless Steel Kits that **MUST** be used for all stainless steel devices, such as DVC6200S, DVC6200fS and DVC6200PS.

Note

“A” tables cover the mounting kit selection. The corresponding row in the related “B” table allows you to choose the appropriate magnet assembly for each kit.

1. Find the actuator make, model, and size that matches the description of your control valve actuator from the appropriate “A” table.
 - a. Check the description to confirm compatibility with handwheels/accessories.
 - b. Record the mounting kit code (for example, F005) and housing type (A or B) to be used with that kit.
2. From the associated “B” table, select the smallest magnet assembly shown with a “▲” that accommodates the valve travel.
 - a. Record the magnet assembly code (for example, -A2).
3. Combine the mounting kit code with the magnet assembly code to complete your selection.

Example: DVCMTG - F 0 0 5 - A 2 (requires housing B)

Example:

To mount a DVC6200S on a Fisher 585 size 68 actuator with 4-inch yoke, side mounted handwheel and 25 mm (1 inch) valve travel:

- Refer to table 3A as DVC6200S is a stainless steel instrument so MUST use a stainless steel mounting kit
- Table 3A indicates mounting kit F115 is suitable for this actuator model and size with side-mounted handwheel
- From the corresponding row of table 3B on the facing page, the 25 mm valve travel can be achieved using magnet assembly -S3
- Final Code is: DVCMTG – F 1 1 5 – S 3 (requires housing B)

Provide this code to your [Emerson sales office](#) when requesting a quotation.

Table 1A. Standard Kits for Aluminum Instruments, see Table 1B on facing page for Magnet Assembly Selection

STANDARD MOUNTING KITS					
Actuator					
Manufacturer	Model	Size	Description	Instrument Housing ⁽¹⁾	Code
Fisher	657 & 667 (i = Integral Mount)	34 - 60	With side handwheel, traditional bracket	B	F001
		30 - 60	Without side handwheel, traditional bracket		F002
		70, 76, 87	With or without side handwheel, traditional bracket		F003
		80			F004
		34i			F005
		40i - 46i	With side handwheel, integral mount		F006
		50i - 60i	Without side handwheel, integral mount		F007
		30i - 46i			F008
		50i - 60i			F009
		70i	657 ONLY without side handwheel, integral mount		F009
	70i - 76i	667 without side handwheel, integral mount	F010		
	585	25 - 50	With or without side handwheel	B	F011
		60	Without side handwheel		F012
		68			F013
		60-68	With side handwheel, 4-inch travel yoke		F014
			With side handwheel, 8-inch travel yoke		F015
			Without side handwheel, 8-inch travel yoke		F016
		80-100	Without side handwheel, 4-inch travel yoke		F017
			Without side handwheel, 8-inch travel yoke		F018
		80 - 130	With side handwheel, 8-inch travel yoke		F019
		130	Without side handwheel, 4-inch travel yoke		F020
	Without side handwheel, 8-inch travel yoke		F021		
	2052	1	Window mount	B	F022
		2 - 3	Compatible with all handwheel types		F023
		1	Shaft-end mount		F024
		2	Not suitable with side-mounted handwheel		F025
		3			F026
	1051 & 1052	20	Window mount	B	F027
		33	Compatible with all handwheel types		F028
		40 - 70			F029
		20	Shaft-end mount Not suitable with side-mounted handwheel		F030
		33			F031
		40			F032
	60 - 70	F033			
	GX	225 - 1200	Integral mount (DVC2000/DVC6200 with NPT pneumatic connections) With or without side handwheel	A	F034
			Integral mount (DVC2000 with G 1/4 pneumatic connections) With or without side handwheel		F035
			Non-integral mount for high process-temperatures Use where process temperature is > 200°C and ambient > 50°C, with or without side handwheel Standard mounting method for DVC7K	B	F036
	1061	30 - 68	Window mount, with or without handwheel	B	F037
		80 - 100			F038
		130			F039
	3025	P462	Without side handwheel	B	F040
		P460-200			F041
P900		With or without side handwheel	F042		

1. DVC7K and 4400 only available with Housing B.

-Continued-

Table 1B. Standard Magnet Assemblies for Table 1A Mounting Kits

Code from Table 1A	STANDARD MAGNET ASSEMBLIES ⁽²⁾								
	Travel Range (mm / inches / degrees)								Mtg Kit ONLY ⁽³⁾
	5-7 0.19-0.28	8-19 0.29-0.75	20-25 0.76-1.00	26-38 1.01-1.50	39-50 1.51-2.00	51-110 2.01-4.125	111-210 4.126-8.25	45-90°	
MAGNET ASSEMBLY CODE									
	-A1	-A2	-A3	-A4	-A5	-A6	-A7	-A8	-XX
F001	▲	▲	▲	▲	▲	●	●	●	▲
F002	▲	▲	▲	▲	▲	●	●	●	▲
F003	●	▲	▲	▲	▲	▲	●	●	▲
F004	▲	▲	▲	▲	▲	▲	●	●	▲
F005	▲	▲	▲	▲	●	●	●	●	▲
F006	▲	▲	▲	▲	▲	●	●	●	▲
F007	▲	▲	▲	▲	▲	●	●	●	▲
F008	▲	▲	▲	▲	▲	●	●	●	▲
F009	▲	▲	▲	▲	▲	▲	●	●	▲
F009	▲	▲	▲	▲	▲	▲	●	●	▲
F010	●	▲	▲	▲	▲	▲	●	●	▲
F011	▲	▲	▲	▲	▲	●	●	●	▲
F012	▲	▲	▲	▲	▲	▲	●	●	▲
F013	▲	▲	▲	▲	▲	●	●	●	▲
F014	●	▲	▲	▲	▲	▲	●	●	▲
F015	●	▲	▲	▲	▲	▲	▲	●	▲
F016	▲	▲	▲	▲	▲	▲	▲	●	▲
F017	●	▲	▲	▲	▲	▲	●	●	▲
F018	●	▲	▲	▲	▲	▲	▲	●	▲
F019	●	▲	▲	▲	▲	▲	▲	●	▲
F020	●	▲	▲	▲	▲	▲	●	●	▲
F021	●	●	▲	▲	▲	▲	▲	●	▲
F022	●	●	●	●	●	●	●	▲	●
F023	●	●	●	●	●	●	●	▲	●
F024	●	●	●	●	●	●	●	▲	●
F025	●	●	●	●	●	●	●	▲	●
F026	●	●	●	●	●	●	●	▲	●
F027	●	●	●	●	●	●	●	▲	●
F028	●	●	●	●	●	●	●	▲	●
F029	●	●	●	●	●	●	●	▲	●
F030	●	●	●	●	●	●	●	▲	●
F031	●	●	●	●	●	●	●	▲	●
F032	●	●	●	●	●	●	●	▲	●
F033	●	●	●	●	●	●	●	▲	●
F034	▲	▲	▲	▲	▲	▲	●	●	▲
F035	▲	▲	▲	▲	▲	▲	●	●	▲
F036	▲	▲	▲	▲	▲	▲	●	●	▲
F037	●	●	●	●	●	●	●	▲	●
F038	●	●	●	●	●	●	●	▲	●
F039	●	●	●	●	●	●	●	▲	●
F040	▲	▲	▲	▲	▲	▲	●	●	▲
F041	▲	▲	▲	▲	▲	▲	▲	●	▲
F042	▲	▲	▲	▲	▲	▲	●	●	▲

▲ = Available
● = Not Available

2. Select the smallest magnet assembly that accommodates the valve travel
3. Magnet Assembly not included

-Continued-

Table 1A. Standard Kits for Aluminum Instruments, see Table 1B on facing page for Magnet Assembly Selection (Continued)

STANDARD MOUNTING KITS					
Actuator					
Manufacturer	Model	Size	Description	Instrument Housing ⁽¹⁾	Code
Fisher	D4	40	With or without side handwheel	B	F043
	656	30	Standard mounting pad, with or without handwheel	B	F044
		40 - 60			F045
		40	High mounting pad, with or without handwheel		F046
	60		F047		
Baumann		32, 54, 70	Without side handwheel	B	F048
1. DVC7K and 4400 only available with Housing B.					

**Table 1B. Standard Magnet Assemblies for Table 1A Mounting Kits
(Continued)**

STANDARD MAGNET ASSEMBLIES ⁽²⁾									
Travel Range (mm / inches / degrees)									
	5-7 0.19-0.28	8-19 0.29-0.75	20-25 0.76-1.00	26-38 1.01-1.50	39-50 1.51-2.00	51-110 2.01-4.125	111-210 4.126-8.25	45-90°	Mtg Kit ONLY ⁽³⁾
Code from Table 1A	MAGNET ASSEMBLY CODE								
	-A1	-A2	-A3	-A4	-A5	-A6	-A7	-A8	-XX
F043	▲	▲	●	●	●	●	●	●	▲
F044	▲	▲	▲	▲	▲	▲	●	●	▲
F045	●	▲	▲	▲	▲	▲	●	●	▲
F046	▲	▲	▲	▲	▲	▲	●	●	▲
F047	▲	▲	▲	▲	▲	▲	●	●	▲
F048	▲	▲	▲	●	●	●	●	●	▲

▲ = Available
● = Not Available
2. Select the smallest magnet assembly that accommodates the valve travel
3. Magnet Assembly not included

Table 2A. Standard Kits for Aluminum Instruments, see Table 2B on facing page for Magnet Assembly Selection

STANDARD MOUNTING KITS						
Actuator						
Manufacturer	Model	Size	Description	Instrument Housing ⁽¹⁾	Code	
IEC 60534-6-1 & -6-2 (VDI/VDE-3845)	60534-6-1	All	Linear actuators to IEC 60534-6-1 with NAMUR Rib, U-Clamp or yoke mount, without side handwheel	B	IE01	
	60534-6-2 & VDI/VDE-3845	A80 / B20	With a tandem-mount for TopWorx D-series (NAMUR shaft), or TopWorx T-series (1" extended shaft)		IE02	
		A80 / B30	All rotary actuators to IEC 60534-6-2 A = horizontal distance between mounting bolts B = actuator shaft height		IE03	
		A130 / B30			IE04	
		A130 / B50			IE05	
Masoneilan	Model 33	B & C	Minitork II	B	MN01	
	Model 35/70	All	Camflex II			
	Model 47/48	All	Sigma-F (rotary mount)			
	Model 37 / 38	9, 11, 13	With or without side handwheel, fork-style			
	Model 87 / 88	6, 10, 16, 23	With or without side handwheel, connector block Without side handwheel			
Flowserve	VL/VL-C/ES/ UHC	25	With or without side handwheel	B	FS01	
		50			FS02	
	VL-C/ES/UHC	100 - 200	2.62/2.88-inch Spud, 1.5" stem, with/without handwheel 3.38/4.00/4.75-inch Spud, 2.25" stem, with/without Handwheel		FS03	
Neles	B1C / B1J	6 - 11	Without handwheel	B	NJ01	
		12 - 17			NJ02	
		20			NJ03	
		25			NJ04	
		32			NJ05	
	B1CU / B1JU	6 - 11			NJ06	
		12 - 20			NJ07	
		25			NJ08	
		32			NJ09	
	QPX	1			15 mm key-drive (internal), without handwheel	NJ10
	QPX / QPII	1M, 2M			(External drive) without handwheel	NJ11
		3M				NJ12
		4M, 5M				NJ13
Kinetrol	Qtr-Turn Vane	70, 74, 77, 79	With and without SR	B	KT01	
		84, 87			KT02	
		90, 98, 99			KT03	
		94, 97			KT04	
		144, 147			KT05	
		164, 167			KT06	
CCI	MSD II	All	Without side handwheel	B	CC01	
Bettis	CBA & CBB	315, 415	SR and DR versions, without handwheel	B	BE01	
		420, 520			BE02	
		525, 725			BE03	
Kent Introl	G-Series	G075, G150, G300	Without side handwheel	B	KI01	
Severn Glocon	W-Series	75, 150, 300				
Biffi	ALGA, ALGAS, ALGAS-QA	0.1, 0.3, 0.9, 1.5	Without accessories	B	BF01	

1. DVC7K and 4400 only available with Housing B.

-Continued-

Table 2B. Standard Magnet Assemblies for Table 2A Mounting Kits

Code from Table 2A	STANDARD MAGNET ASSEMBLIES ⁽²⁾								
	Travel Range (mm / inches / degrees)								
	5-7 0.19-0.28	8-19 0.29-0.75	20-25 0.76-1.00	26-38 1.01-1.50	39-50 1.51-2.00	51-110 2.01-4.125	111-210 4.126-8.25	45-90°	Mtg Kit ONLY ⁽³⁾
	MAGNET ASSEMBLY CODE								
	-A1	-A2	-A3	-A4	-A5	-A6	-A7	-A8	-XX
IE01	▲	▲	▲	▲	▲	▲	●	●	▲
IE02	●	●	●	●	●	●	●	▲	●
IE03	●	●	●	●	●	●	●	▲	●
IE04	●	●	●	●	●	●	●	▲	●
IE05	●	●	●	●	●	●	●	▲	●
IE06	●	●	●	●	●	●	●	▲	●
MN01	●	●	●	●	●	●	●	▲	●
	●	●	●	●	●	●	●	▲	●
	●	●	●	●	●	●	●	▲	●
MN02	▲	▲	▲	▲	▲	▲	●	●	▲
MN03	▲	▲	▲	▲	▲	▲	●	●	▲
MN04	▲	▲	▲	▲	▲	▲	●	●	▲
FS01	▲	▲	▲	▲	●	●	●	●	▲
FS02	▲	▲	▲	▲	▲	▲	●	●	▲
FS03	▲	▲	▲	▲	▲	▲	●	●	▲
FS04	▲	▲	▲	▲	▲	▲	▲	●	▲
NJ01	●	●	●	●	●	●	●	▲	●
NJ02	●	●	●	●	●	●	●	▲	●
NJ03	●	●	●	●	●	●	●	▲	●
NJ04	●	●	●	●	●	●	●	▲	●
NJ05	●	●	●	●	●	●	●	▲	●
NJ06	●	●	●	●	●	●	●	▲	●
NJ07	●	●	●	●	●	●	●	▲	●
NJ08	●	●	●	●	●	●	●	▲	●
NJ09	●	●	●	●	●	●	●	▲	●
NJ10	●	●	●	●	●	●	●	▲	●
NJ11	●	●	●	●	●	●	●	▲	●
NJ12	●	●	●	●	●	●	●	▲	●
NJ13	●	●	●	●	●	●	●	▲	●
KT01	●	●	●	●	●	●	●	▲	●
KT02	●	●	●	●	●	●	●	▲	●
KT03	●	●	●	●	●	●	●	▲	●
KT04	●	●	●	●	●	●	●	▲	●
KT05	●	●	●	●	●	●	●	▲	●
KT06	●	●	●	●	●	●	●	▲	●
CC01	●	▲	▲	▲	▲	▲	●	●	▲
BE01	●	●	●	●	●	●	●	▲	●
BE02	●	●	●	●	●	●	●	▲	●
BE03	●	●	●	●	●	●	●	▲	●
KI01	●	▲	▲	▲	▲	▲	●	●	▲
	●	▲	▲	▲	▲	▲	●	●	▲
BF01	●	●	●	●	●	●	●	▲	●

▲ = Available
● = Not Available
2. Select the smallest magnet assembly that accommodates the valve travel
3. Magnet Assembly not included

-Continued-

Table 2A. Standard Kits for Aluminum Instruments, see Table 2B on facing page for Magnet Assembly Selection (Continued)

STANDARD MOUNTING KITS					
Actuator					Code
Manufacturer	Model	Size	Description	Instrument Housing ⁽¹⁾	
Blakeborough Weir & Hammel Dahl	A20/A21, A40/A41, RAD/RAR, STD	50, 100, 200, 300	Without side handwheel	B	BB01
Copes Vulcan	Model 700	60, 100, 160, 160L	Without side handwheel	B	CV01
Samson	3270 Series, Type 3271/3277	240, 350, 355, 700, 750	NAMUR Rib mount	B	SS01
None	NA	NA	Magnet Assembly ONLY, mounting kit not required	NA	XXXX
1. DVC7K and 4400 only available with Housing B.					

**Table 2B. Standard Magnet Assemblies for Table 2A Mounting Kits
(Continued)**

Code from Table 2A	STANDARD MAGNET ASSEMBLIES ⁽²⁾								
	Travel Range (mm / inches / degrees)								Mtg Kit ONLY ⁽³⁾
	5-7 0.19-0.28	8-19 0.29-0.75	20-25 0.76-1.00	26-38 1.01-1.50	39-50 1.51-2.00	51-110 2.01-4.125	111-210 4.126-8.25	45-90°	
MAGNET ASSEMBLY CODE									
	-A1	-A2	-A3	-A4	-A5	-A6	-A7	-A8	-XX
BB01	▲	▲	▲	▲	▲	▲	●	●	▲
CV01	▲	▲	▲	▲	▲	▲	●	●	▲
SS01	▲	▲	▲	▲	●	●	●	●	▲
XXXX	▲	▲	▲	▲	▲	▲	▲	▲	●

▲ = Available
● = Not Available
2. Select the smallest magnet assembly that accommodates the valve travel
3. Magnet Assembly not included

Table 3A. Stainless Steel Kits for Stainless Steel Instruments, see Table 3B on facing page for Magnet Assembly Selection

STAINLESS STEEL MOUNTING KITS						
Actuator						
Manufacturer	Model	Size	Description	Instrument Housing ⁽¹⁾	Code	
Fisher	657 & 667 (i = Integral Mount)	34 - 60	With side handwheel, traditional bracket	B	F101	
		30 - 60	Without side handwheel, traditional bracket		F102	
		70, 76, 87	With or without side handwheel, traditional bracket		F103	
		80			F104	
		34i	With side handwheel, integral mount		F105	
		40i - 46i			F106	
		50i - 60i			F107	
		30i - 46i			F108	
		50i - 60i	Without side handwheel, integral mount		F109	
		70i	657 ONLY without side handwheel, integral mount		F110	
		70i - 76i	667 ONLY without side handwheel, integral mount		F111	
	585	25 - 50	With or without side handwheel	B	F112	
		60	Without side handwheel, 2-inch travel yoke		F113	
		68			F114	
		60-68			With side handwheel, 4-inch travel yoke	F115
		80-100	With side handwheel, 8-inch travel yoke		F116	
			Without side handwheel, 8-inch travel yoke		F117	
		80-130	Without side handwheel, 4-inch travel yoke		F118	
			Without side handwheel, 8-inch travel yoke		F119	
		130	With side handwheel, 8-inch travel yoke		F120	
			Without side handwheel, 4-inch travel yoke		F121	
		2052	1		Window mount, with or without handwheel	B
	2 - 3		F123			
	1		Shaft-end mount, top mounted handwheel only	F124		
	2			F125		
	3			F126		
	1051 & 1052	20	Window mount, with or without handwheel	B	F127	
		33			F128	
		40 - 70			F129	
		20	Shaft-end mount, top mounted handwheel only		F130	
		33			F131	
		40			F132	
	GX	225 - 1200	Integral SST mount, for aluminum DVC2000/DVC6200 ONLY. Without side handwheel, NPT pneumatic connections	A	F133	
			Non-Integral mount for high process-temperatures [Use where process temperature is is > 200°C and ambient > 50°C], with or without side handwheel Standard mounting method for DVC6200S	B	F134	
	1061	30 - 68	Window mount, with or without handwheel	B	F135	
		80 - 100			F136	
		130			F137	
	Baumann	32, 54, 70	Without side handwheel	B	F138	
						F139
						F140

1. DVC7K and 4400 only available with Housing B.

Table 3B. Stainless Steel Magnet Assemblies for Table 3A Mounting Kits

STAINLESS STEEL MAGNET ASSEMBLIES ⁽²⁾									
Code from Table 3A	Travel Range (mm / inches / degrees)								Mtg Kit ONLY ⁽³⁾
	5-7 0.19-0.28	8-19 0.29-0.75	20-25 0.76-1.00	26-38 1.01-1.50	39-50 1.51-2.00	51-110 2.01-4.125	111-210 4.126-8.25	45-90°	
	MAGNET ASSEMBLY CODE								
	-S1	-S2	-S3	-S4	-S5	-S6	-S7	-S8	-XX
F101	●	▲	▲	▲	▲	●	●	●	▲
F102	●	▲	▲	▲	▲	●	●	●	▲
F103	●	▲	▲	▲	▲	▲	●	●	▲
F104	●	▲	▲	▲	▲	▲	●	●	▲
F105	●	▲	▲	▲	●	●	●	●	▲
F106	●	▲	▲	▲	▲	●	●	●	▲
F107	●	▲	▲	▲	▲	●	●	●	▲
F108	●	▲	▲	▲	▲	●	●	●	▲
F109	●	▲	▲	▲	▲	▲	●	●	▲
F110	●	▲	▲	▲	▲	▲	●	●	▲
F111	●	▲	▲	▲	▲	▲	●	●	▲
F112	●	▲	▲	▲	▲	●	●	●	▲
F113	●	▲	▲	▲	▲	▲	●	●	▲
F114	●	▲	▲	▲	▲	●	●	●	▲
F115	●	▲	▲	▲	▲	▲	●	●	▲
F116	●	▲	▲	▲	▲	▲	▲	●	▲
F117	●	▲	▲	▲	▲	▲	▲	●	▲
F118	●	▲	▲	▲	▲	▲	●	●	▲
F119	●	▲	▲	▲	▲	▲	▲	●	▲
F120	●	▲	▲	▲	▲	▲	▲	●	▲
F121	●	▲	▲	▲	▲	▲	●	●	▲
F122	●	●	●	●	●	▲	▲	●	▲
F123	●	●	●	●	●	●	●	▲	●
F124	●	●	●	●	●	●	●	▲	●
F125	●	●	●	●	●	●	●	▲	●
F126	●	●	●	●	●	●	●	▲	●
F127	●	●	●	●	●	●	●	▲	●
F128	●	●	●	●	●	●	●	▲	●
F129	●	●	●	●	●	●	●	▲	●
F130	●	●	●	●	●	●	●	▲	●
F131	●	●	●	●	●	●	●	▲	●
F132	●	●	●	●	●	●	●	▲	●
F133	●	●	●	●	●	●	●	▲	●
F134	●	●	●	●	●	●	●	●	●
F135	●	▲	▲	▲	▲	▲	●	●	▲
F136	●	▲	▲	▲	▲	▲	●	●	▲
F137	●	●	●	●	●	●	●	▲	●
F138	●	●	●	●	●	●	●	▲	●
F139	●	●	●	●	●	●	●	▲	●
F140	●	▲	▲		●	●	●	●	▲

▲ = Available
● = Not Available
2. Select the smallest magnet assembly that accommodates the valve travel
3. Magnet Assembly not included

Table 4A. Stainless Steel Kits for Stainless Steel Instruments, see Table 4B on facing page for Magnet Assembly Selection

STAINLESS STEEL MOUNTING KITS					
Actuator					
Manufacturer	Model	Size	Description	Instrument Housing ⁽¹⁾	Code
IEC 60534-6-1 & -6-2 (VDI/VDE-3845)	60534-6-1	All	Linear actuators to IEC 60534-6-1 with NAMUR Rib, U-Clamp or yoke mount; without side handwheel	B	IE51
	60534-6-2 VDI/VDE-3845	A80 / B20	With a tandem-mount for TopWorx D-series (NAMUR shaft), or TopWorx T-series (1" extended shaft)		IE52
			All rotary actuators to IEC 60534-6-2		IE53
			A = horizontal distance between mounting bolts		IE54
			B = actuator shaft height		IE55
	A130 / B30		IE56		
	A130 / B50				
Masoneilan	Model 33	B & C	Minitork II	B	MN51
	Model 35/70	All	Camflex II		MN52
	Model 47/48	All	Sigma-F (rotary mount)		MN53
	Model 37 / 38	9, 11, 13	Without side handwheel, fork-style stem connection		MN54
		15, 18, 24	With or without side handwheel		MN55
Model 87 / 88	6, 10, 16, 23	Without side handwheel	MN56		
Flowserve	VL/VL-C/ES/UHC	25	With or without side handwheel	B	FS51
		50			FS52
	VL-C/ES/UHC	100 - 200	2.62/2.88-inch spud size, without side handwheel		FS53
			3.38/4.00/4.75-inch spud size, without side handwheel		FS54
Neles	B1C / B1J	6 - 11	Without handwheel	B	NE51
		12 - 17			NE52
		20			NE53
		25			NE54
		32			NE55
	B1CU / B1JU	6 - 11			NE56
		12 - 20			NE57
		25			NE58
		32			NE59
CCI	MSD II	All	Without side handwheel	B	CC51
Bettis	CBA & CBB	315, 415	SR and DR versions, without handwheel	B	BE51
		420, 520			BE52
		525, 725			BE53
Kent Introl	G-Series	G075, G150, G300	Without side handwheel	B	KI51
Severn Glocon	W-Series	75, 150, 300	Without side handwheel	B	SG51
Biffi	ALGA, ALGAS, ALGAS-QA	0.1, 0.3, 0.9, 1.5	Without accessories	B	BI51
Blakeborough, Weir & Hammel Dahl	A20/A21, A40/A41, RAD/RAR, STD	50, 100, 200, 300	Without side handwheel	B	BB51
Samson	3270 Series, Type 3271/3277	240, 350, 355, 700, 750	NAMUR rib mount	B	SS51
None	NA	NA	Magnet Assembly ONLY, mounting kit not required	NA	XXXX

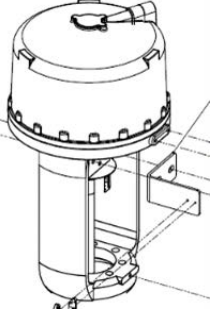
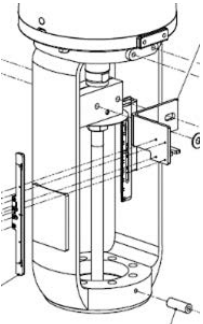
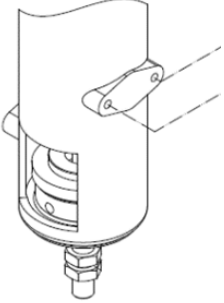
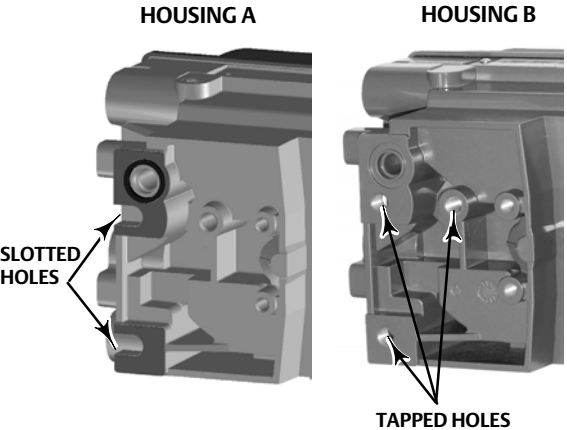
1. DVC7K and 4400 only available with Housing B.

Table 4B. Stainless Steel Magnet Assemblies for Table 4A Mounting Kits

Code from Table 4A	STAINLESS STEEL MAGNET ASSEMBLIES ⁽²⁾								
	Travel Range (mm / inches / degrees)								Mtg Kit ONLY ⁽³⁾
	5-7 0.19-0.28	8-19 0.29-0.75	20-25 0.76-1.00	26-38 1.01-1.50	39-50 1.51-2.00	51-110 2.01-4.125	111-210 4.126-8.25	45-90°	
MAGNET ASSEMBLY CODE									
	-S1	-S2	-S3	-S4	-S5	-S6	-S7	-S8	-XX
IE51	●	▲	▲	▲	▲	▲	●	●	▲
IE52	●	●	●	●	●	●	●	▲	●
IE53	●	●	●	●	●	●	●	▲	●
IE54	●	●	●	●	●	●	●	▲	●
IE55	●	●	●	●	●	●	●	▲	●
IE56	●	●	●	●	●	●	●	▲	●
MN51	●	●	●	●	●	●	●	▲	●
MN52	●	●	●	●	●	●	●	▲	●
MN53	●	●	●	●	●	●	●	▲	●
MN54	●	▲	▲	▲	▲	▲	●	●	▲
MN55	●	▲	▲	▲	▲	▲	●	●	▲
MN56	●	▲	▲	▲	▲	▲	●	●	▲
FS51	●	▲	▲	▲	●	●	●	●	▲
FS52	●	▲	▲	▲	▲	▲	●	●	▲
FS53	●	▲	▲	▲	▲	▲	●	●	▲
FS54	●	▲	▲	▲	▲	▲	▲	●	▲
NE51	●	●	●	●	●	●	●	▲	●
NE52	●	●	●	●	●	●	●	▲	●
NE53	●	●	●	●	●	●	●	▲	●
NE54	●	●	●	●	●	●	●	▲	●
NE55	●	●	●	●	●	●	●	▲	●
NE56	●	●	●	●	●	●	●	▲	●
NE57	●	●	●	●	●	●	●	▲	●
NE58	●	●	●	●	●	●	●	▲	●
NE59	●	●	●	●	●	●	●	▲	●
CC51	●	▲	▲	▲	▲	▲	●	●	▲
BE51	●	●	●	●	●	●	●	▲	●
BE52	●	●	●	●	●	●	●	▲	●
BE53	●	●	●	●	●	●	●	▲	●
KI51	●	▲	▲	▲	▲	▲	●	●	▲
SG51	●	▲	▲	▲	▲	▲	●	●	▲
BI51	●	●	●	●	●	●	●	▲	●
BB51	●	▲	▲	▲	▲	▲	●	●	▲
SS51	●	▲	▲	▲	●	●	●	●	▲
XXXX	●	▲	▲	▲	▲	▲	▲	▲	●

▲ = Available
● = Not Available
2. Select the smallest magnet assembly that accommodates the valve travel
3. Magnet Assembly not included

Glossary of Terms

<p>4-Inch Travel Yoke</p> <p>Actuator uses a 4-inch travel yoke</p> <ul style="list-style-type: none">■ Fisher 471, 475, and 585 actuators	
<p>8-Inch Travel Yoke</p> <p>Actuator uses a 8-inch travel yoke</p> <ul style="list-style-type: none">■ Fisher 471, 475, and 585 actuators	
<p>High Mounting Pad</p> <p>The instrument is mounted using the “high” mounting pad as shown:</p> <ul style="list-style-type: none">■ Fisher 656 actuator	
<p>Housing Type A or B</p> <p>Housing A: The instrument has straight-through holes/slots so bolts pass-through the housing into the bracket or actuator yoke</p> <p>Housing B: The instrument has tapped holes so bolts pass through the mounting kit and screw into the housing</p> <p>Be sure to use a mounting kit specific to the housing type</p>	 <p>HOUSING A HOUSING B</p> <p>SLOTTED HOLES TAPPED HOLES</p>

Integral Mount

The instrument is directly bolted to the actuator yoke without using a separate bracket

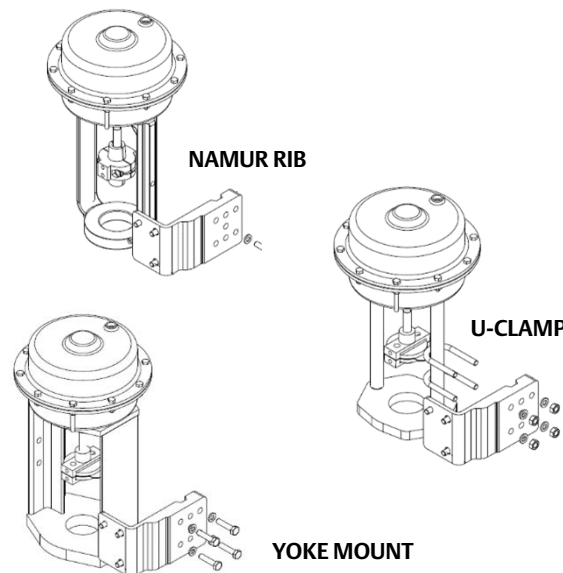
- Fisher 657i/667i actuators
- Fisher GX actuators



Linear Actuators according to IEC 60534-6-1 standard

One mounting kit compatible with:

- NAMUR Rib mounting,
- Post U-Clamp mounting, and
- Yoke mounting



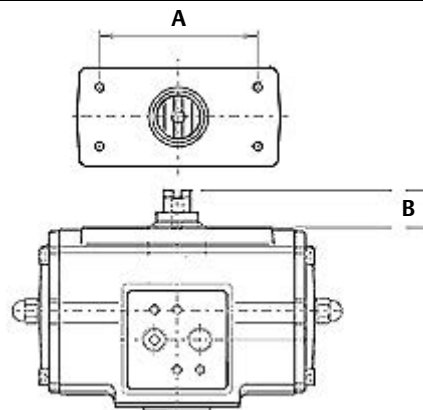
Rotary Actuators to IEC 60534-6-2 and VDI/VDE-3845 standards

A = Horizontal dimension (mm) between mounting holes

B = Height of actuator shaft (20, 30, or 50 mm)

Example NAMUR sizes (rotary) include:

- A80/B20
- A80/B30
- A130/B30
- A130/B50



Shaft-End Mount

The instrument mounts on the end of the valve shaft as shown:

- Fisher 1051, 1052, 1061, and 2052 actuators
- Not suitable with side-handwheels



Side-Mounted Handwheels

The handwheel is mounted to the side of the actuator:

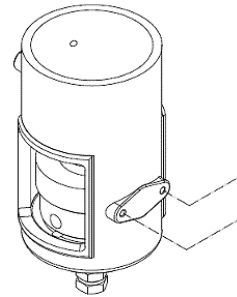
- Various actuators makes
- Check kit description for suitability



Standard Mounting Pad

The instrument is mounting using the “standard” (lower) mounting pad as shown:

- Fisher 656 actuator



Top-Mounted Handwheels

The handwheel is mounted to the top of the actuator casing:

- Various actuator makes
- Compatible with most mounting kits



Traditional Bracket

The instrument is mounted using a “traditional” mounting bracket instead of via an “integral mount”

- Fisher 657/667 actuators
- Fisher GX actuators, high temperature kit



Window Mount

The instrument is mounted on the actuator “window” as shown:

- Fisher 1051, 1052, 1061, and 2052 actuators
- Suitable for all handwheel types



Related Documents

DVC7K Digital Valve Controller

Quick Start Guide ([D104766X012](#))

Instruction Manual ([D104767X012](#))

DVC6200 Series Digital Valve Controllers

Quick Start Guide ([D103556X012](#))

DVC6200 HW2 Instruction Manual ([D103605X012](#))

DVC6200 SIS Instruction Manual ([D103557X012](#))

DVC6200f Instruction Manual ([D103412X012](#))

DVC6200p Instruction Manual ([D103563X012](#))

DVC2000 Valve Controller

Quick Start Guide ([D103203X012](#))

Instruction Manual ([D103176X012](#))

4400 Digital Position Transmitter

Instruction Manual ([D104738X012](#))

Neither Emerson, nor any of its affiliated entities assume responsibility for the selection, use, or maintenance of any product. Responsibility for proper selection, use, and maintenance of any product remains solely with the purchaser and end user.

Fisher, FIELDVUE, are marks owned by one of the companies in the Emerson business unit of Emerson Electric Co. Emerson and the Emerson logo are trademarks and service marks of Emerson Electric Co. All other marks are the property of their respective owners.

The contents of this publication are presented for informational purposes only, and while every effort has been made to ensure their accuracy, they are not to be construed as warranties or guarantees, express or implied, regarding the products or services described herein or their use or applicability. All sales are governed by our terms and conditions, which are available upon request. We reserve the right to modify or improve the designs or specifications of such products at any time without notice.

Emerson

Marshalltown, Iowa 50158 USA

Sorocaba, 18087 Brazil

Cernay, 68700 France

Dubai, United Arab Emirates

Singapore 128461 Singapore

www.Fisher.com

