

# Data sheet

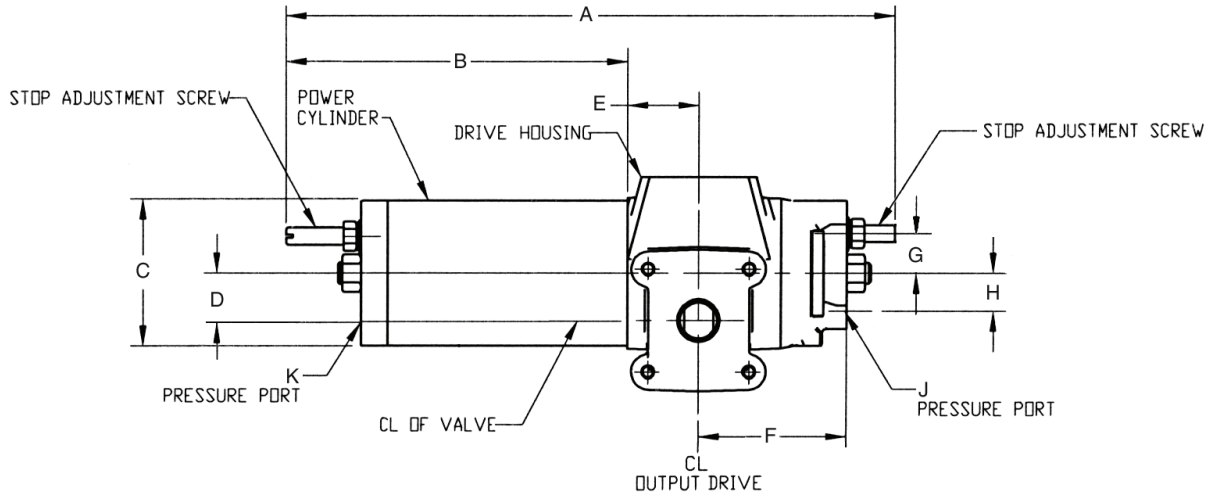
Sheet No.: CPI 3.01 Rev. B

Date: September 2010

CBA-Series

## Dimensions – (Pneumatic) In.

### Double-Acting Actuators CBAXXX



Actuator Model	A	B	C	D	E	F	G	H	J/K	L	M	N
CBA315	14.16	7.38	3.25	1.09	1.88	3.46	0.94	0.94	1/4" NPT	.313-18 UNC	0.38	2.250
CBA420	16.43	8.57	4.25	1.38	2.13	4.37	1.10	1.10	3/8" NPT	.375-16 UNC	0.50	3.000
CBA520	16.46	8.63	5.38	1.38	2.07	4.37	1.10	1.10	3/8" NPT	.375-16 UNC	0.50	3.000
CBA525	19.22	9.88	5.38	1.69	2.56	5.00	1.25	1.25	3/8" NPT	.500-13 UNC	0.50	3.500
CBA725	19.44	10.24	7.50	1.69	2.53	5.00	1.25	1.25	3/8" NPT	.500-13 UNC	0.50	3.500

Actuator Model	P	Q	R	S	T	U	V	W	X	Y	Z	AA
CBA315	.313-18 UNC	1.125	2.91	5.81	0.75	2.22	5.18	0.614 0.620	1.03	3.75	1.09	0.873 0.875
CBA420	.375-16 UNC	1.500	3.35	6.69	0.75	2.81	6.25	0.864 0.870	1.03	4.63	1.38	1.123 1.125
CBA520	.375-16 UNC	1.500	3.35	6.69	0.75	2.81	6.25	0.864 0.870	1.03	4.63	1.38	1.121 1.125
CBA525	.500-13 UNC	1.750	4.38	8.75	1.12	3.50	7.58	1.115 1.121	1.50	5.75	1.69	1.498 1.500
CBA725	.500-13 UNC	1.750	4.38	8.75	1.12	3.50	7.58	1.115 1.121	1.50	5.75	1.69	1.498 1.500

Note: Not Certified dimensional drawings. Such drawings available on request.  
Contact factory with correct model designation and serial number.  
All dimensions are expressed in inches.

**BETTIS™**

**EMERSON™**

# Data sheet

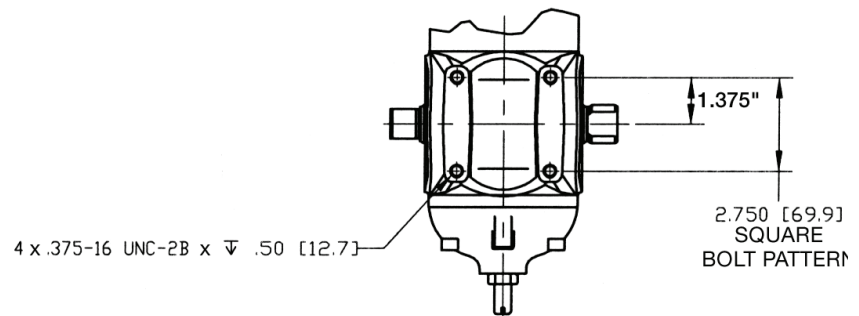
Sheet No.: CPI 3.02 Rev. B

Date: September 2010

# CBA-Series

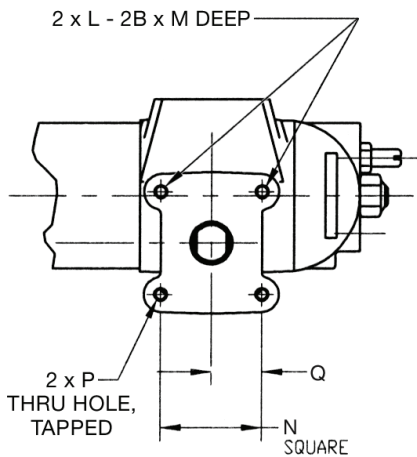
## Dimensions – (Pneumatic) In.

Double-Acting Actuators  
CBAXXX (cont.)

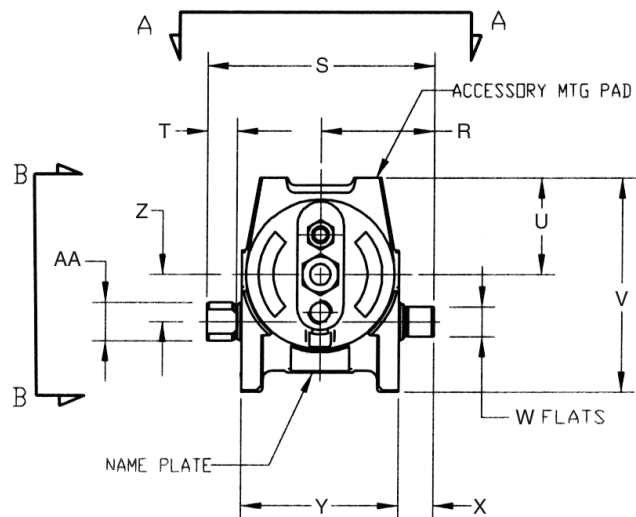


**VIEW A-A  
ACCY MTG PAD**

ACTUATORS SHOWN ROTATED  
TO FULL CLOCKWISE POSITION



**VIEW B-B  
VALVE MTG SURFACE  
TYP BOLT PATTERN BOTH SIDES  
NOTE OPPOSING OUTPUT  
SHAFT ORIENTATION**



**END VIEW REPRESENTATIVE  
OF ALL MODELS**

Note: Not Certified dimensional drawings. Such drawings available on request.  
Contact factory with correct model designation and serial number.  
All dimensions are expressed in inches.

# BETTIS™



# EMERSON™

Copyright © Emerson. The information in this document is subject to change without notice. Updated data sheets can be obtained from our website [www.emerson.com/bettis](http://www.emerson.com/bettis) or from your Emerson Automation Solutions - Actuation Technologies Center:  
America's: +1 281 477 4100 Europe: +36 22 53 0950 Asia/Pacific: +65 67 77 8211 Middle East: +971 4 811 810

# Data sheet

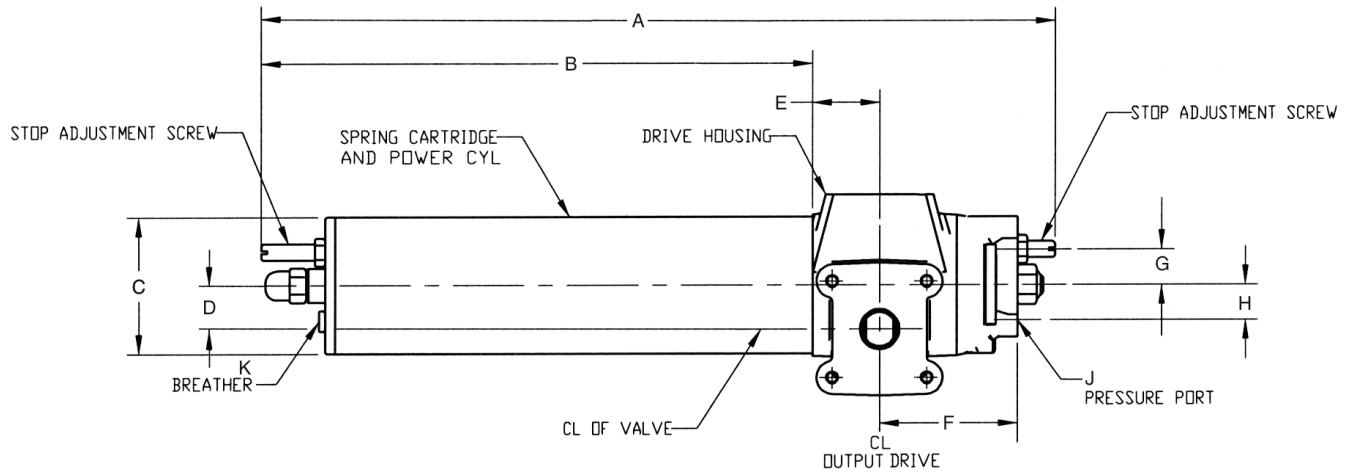
Sheet No.: CPI 3.03 Rev. B

Date: September 2010

CBA-Series

## Dimensions – (Pneumatic) In.

### Spring-Return Actuators CBA XXX-SRX



Actuator Model	A	B	C	D	E	F	G	H	J/K	L
CBA315-SRX	20.13	13.66	3.25	1.09	1.88	3.46	0.94	0.94	1/4" NPT	.313-18 UNC
CBA415-SRX	20.20	13.71	4.25	1.09	1.88	3.46	0.94	0.94	1/4" NPT	.313-18 UNC
CBA420-SRX	24.54	17.07	4.25	1.38	2.13	4.37	1.10	1.10	3/8" NPT	.375-16 UNC
CBA520-SRX	24.88	17.44	5.38	1.38	2.07	4.37	1.10	1.10	3/8" NPT	.375-16 UNC
CBA525-SRX	28.21	18.01	5.38	1.69	2.56	5.00	1.25	1.25	3/8" NPT	.500-13 UNC
CBA725-SRX	28.09	18.37	7.50	1.69	2.53	5.00	1.25	1.25	3/8" NPT	.500-13 UNC

Actuator Model	M	N	P	Q	R	S	T	U	V	W	X	Y	Z	AA
CBA315-SRX	0.38	2.250	.313-18 UNC	1.125	2.91	5.81	0.75	2.22	5.18	0.614 0.620	1.03	3.75	1.09	0.873 0.875
CBA415-SRX	0.38	2.250	.313-18 UNC	1.125	2.91	5.81	0.75	2.22	5.18	0.614 0.620	1.03	3.75	1.09	0.871 0.875
CBA420-SRX	0.50	3.000	.375 -16 UNC	1.500	3.35	6.69	0.75	2.81	6.25	0.864 0.870	1.03	4.63	1.38	1.123 1.125
CBA520-SRX	0.50	3.000	.375 -16 UNC	1.500	3.35	6.69	0.75	2.81	6.25	0.864 0.870	1.03	4.63	1.38	1.121 1.125
CBA525-SRX	0.50	3.500	.500 -13 UNC	1.750	3.50	8.75	1.12	3.50	7.58	1.115 1.121	1.50	5.75	1.69	1.498 1.500
CBA725-SRX	0.50	3.500	.500 -13 UNC	1.750	3.50	8.75	1.12	3.50	7.58	1.115 1.121	1.50	5.75	1.69	1.498 1.500

Note: Not Certified dimensional drawings. Such drawings available on request.  
Contact factory with correct model designation and serial number.  
All dimensions are expressed in inches.

**BETTIS™**

**EMERSON™**

Copyright © Emerson. The information in this document is subject to change without notice. Updated data sheets can be obtained from our website [www.emerson.com/bettis](http://www.emerson.com/bettis) or from your Emerson Automation Solutions - Actuation Technologies Center:  
America's: +1 281 477 4100 Europe: +36 22 53 0950 Asia/Pacific: +65 67 77 8211 Middle East: +971 4 811 810

# Data sheet

Sheet No.: CPI 3.04 Rev. B

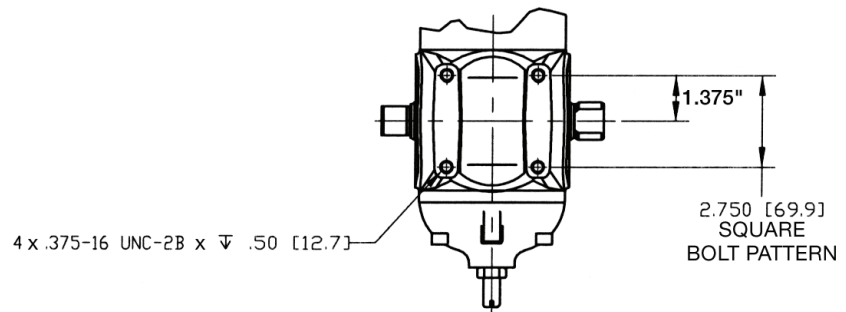
Date: September 2010

# CBA-Series

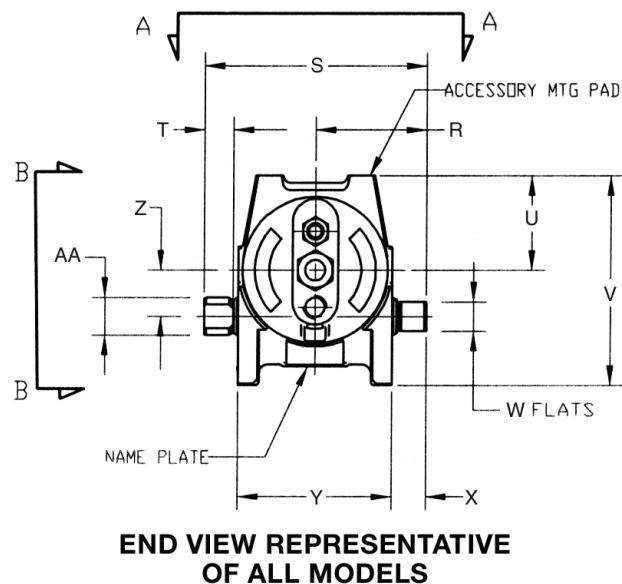
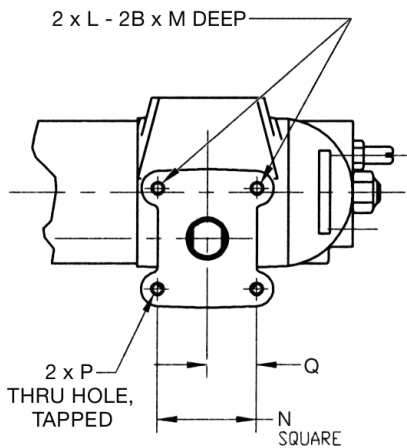
## Dimensions – (Pneumatic) In.

### Spring-Return Actuators

CBA XXX-SRX (cont.)



ACTUATORS SHOWN ROTATED  
TO FULL CLOCKWISE POSITION



Note: Not Certified dimensional drawings. Such drawings available on request.  
Contact factory with correct model designation and serial number.  
All dimensions are expressed in inches.

# BETTIS™

# EMERSON™

Copyright © Emerson. The information in this document is subject to change without notice. Updated data sheets can be obtained from our website [www.emerson.com/bettis](http://www.emerson.com/bettis) or from your Emerson Automation Solutions - Actuation Technologies Center:  
America's: +1 281 477 4100 Europe: +36 22 53 0950 Asia/Pacific: +65 67 77 8211 Middle East: +971 4 811 810

# Data sheet

Sheet No.: CPI 3.05 Rev. B

Date: September 2010

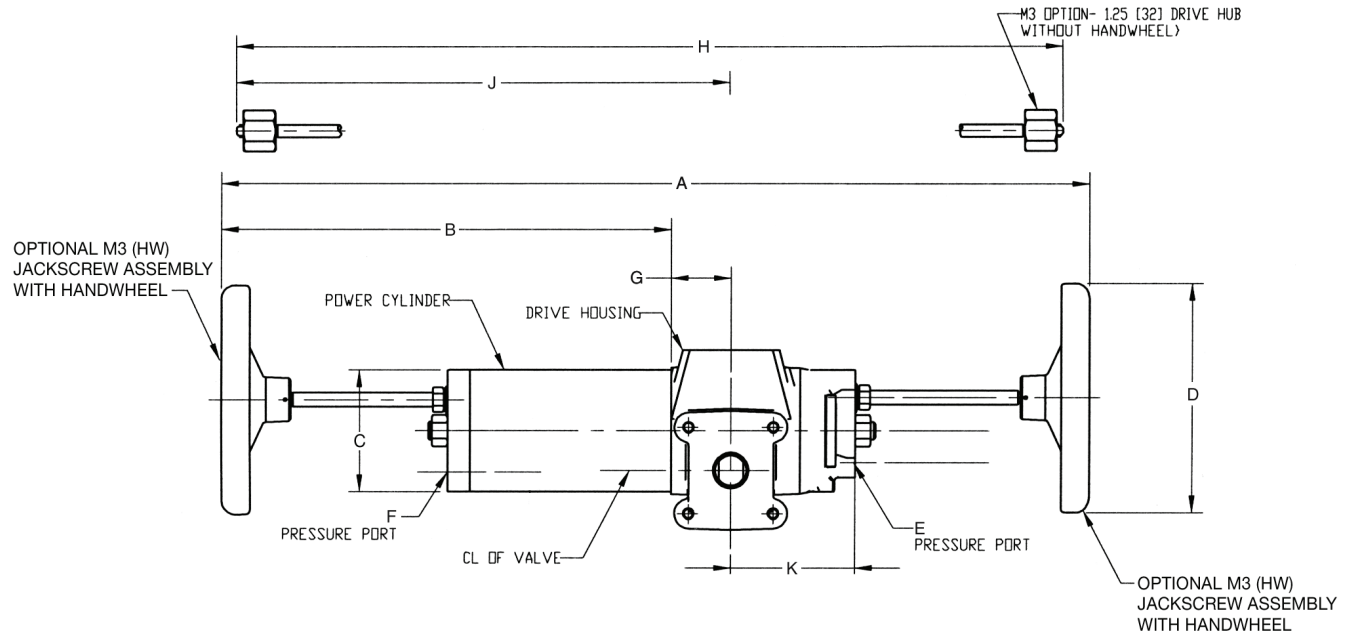
CBA-Series

## Dimensions – (Pneumatic) In.

### M3(HW) Override

#### Double-Acting Actuators

#### CBA XXX-M3(HW)



Actuator Model	A	B	C	D	E	F	G	H	J	K
CBA315-M3HW	25.23	13.01	3.25	6.00	1/4" NPT	1/4" NPT	1.88	24.21	14.37	3.47
CBA420-M3HW	30.58	15.82	4.25	8.00	3/8" NPT	3/8" NPT	2.13	29.12	17.37	4.38
CBA520-M3HW	30.58	15.85	5.25	8.00	3/8" NPT	3/8" NPT	2.09	29.06	17.37	4.38
CBA525-M3HW	36.52	18.92	5.25	10.00	3/8" NPT	3/8" NPT	2.56	34.17	20.31	5.00
CBA725-M3HW	36.65	19.08	7.50	10.00	3/8" NPT	3/8" NPT	2.53	34.17	20.31	5.00

Note: Not Certified dimensional drawings. Such drawings available on request.  
 Contact factory with correct model designation and serial number.  
 All dimensions are expressed in inches.

**BETTIS**

**EMERSON**

Copyright © Emerson. The information in this document is subject to change without notice. Updated data sheets can be obtained from our website [www.emerson.com/bettis](http://www.emerson.com/bettis) or from your Emerson Automation Solutions - Actuation Technologies Center:  
 America's: +1 281 477 4100 Europe: +36 22 53 0950 Asia/Pacific: +65 67 77 8211 Middle East: +971 4 811 810

# Data sheet

Sheet No.: CPI 3.06 Rev. B

Date: September 2010

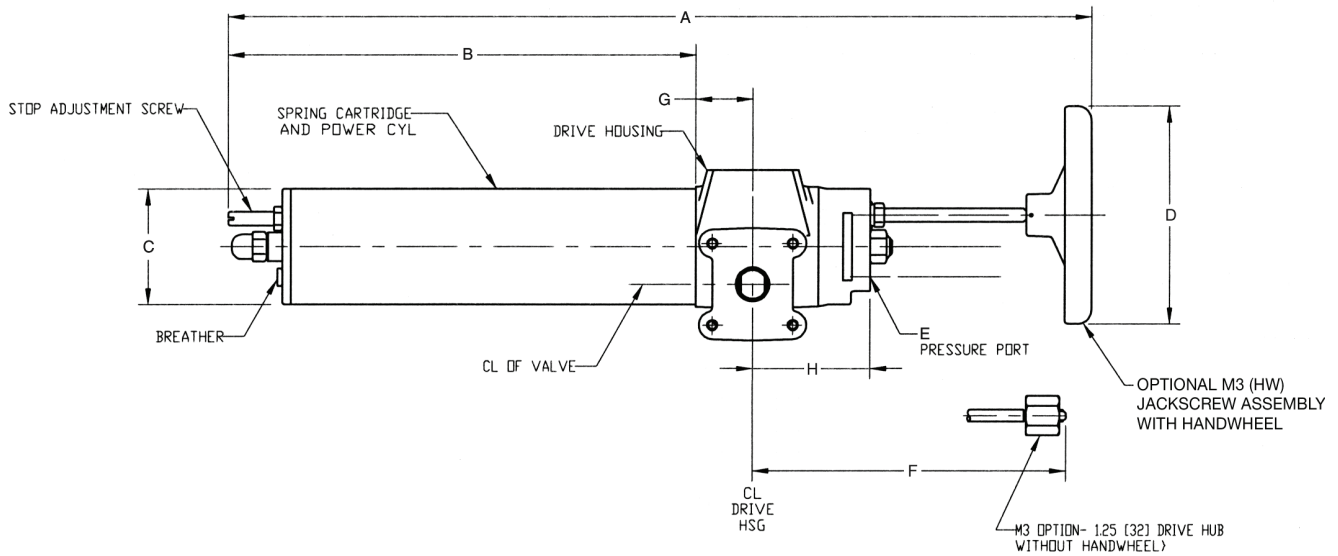
CBA-Series

## Dimensions – (Pneumatic) In.

### M3(HW) Override

#### Spring-Return Actuators

#### CBA XXX-SRX-M3



Actuator Model	A	B	C	D	E	F	G	H
CBA315-SR-M3HW	26.66	14.43	3.25	6.00	1/4" NPT	9.84	1.88	3.47
CBA415-SR-M3HW	26.74	14.51	4.25	6.00	1/4" NPT	9.84	1.88	3.47
CBA420-SR-M3HW	32.13	17.37	4.25	8.00	3/8" NPT	11.69	2.13	4.38
CBA520-SR-M3HW	32.16	17.43	5.38	8.00	3/8" NPT	11.69	2.09	4.38
CBA525-SR-M3HW	36.93	19.33	5.38	10.00	3/8" NPT	13.86	2.56	5.00
CBA725-SR-M3HW	36.98	19.41	7.50	10.00	3/8" NPT	13.86	2.53	5.00

Note: Not Certified dimensional drawings. Such drawings available on request.

Contact factory with correct model designation and serial number.

All dimensions are expressed in inches.

**BETTIS**

**EMERSON**

Copyright © Emerson. The information in this document is subject to change without notice. Updated data sheets can be obtained from our website [www.emerson.com/bettis](http://www.emerson.com/bettis) or from your Emerson Automation Solutions - Actuation Technologies Center:

America's: +1 281 477 4100 Europe: +36 22 53 0950 Asia/Pacific: +65 67 77 8211 Middle East: +971 4 811 810