

Damcos™ BRCF 500 - 90 bar

Hydraulic Single-acting Balanced Rotary Actuator 90° (Quarter-turn) Fail-safe

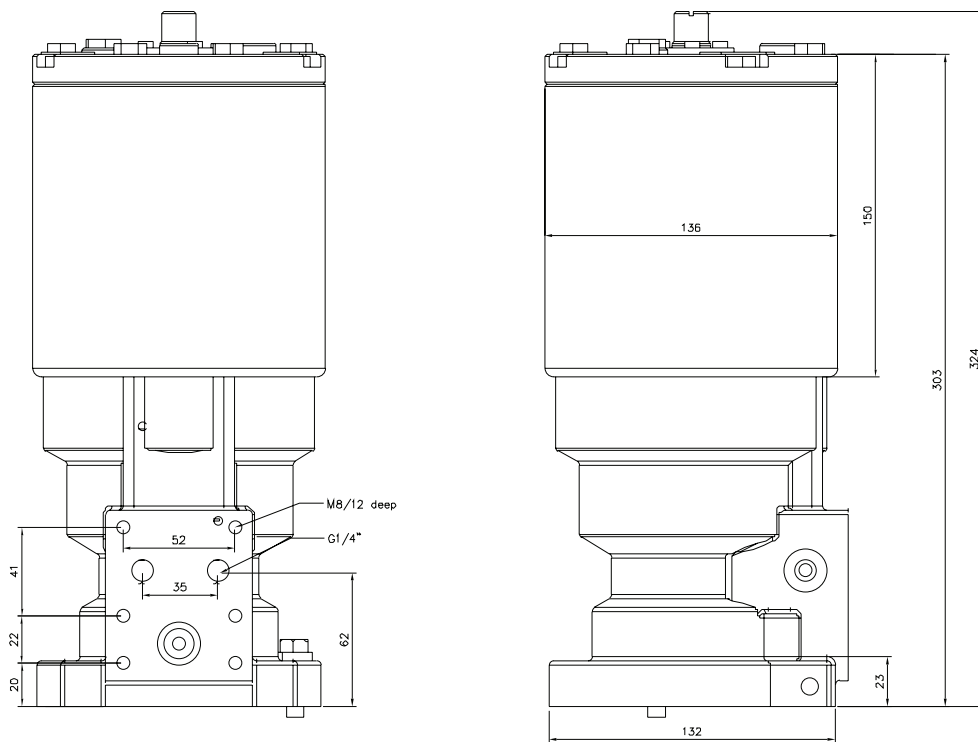


Main Data

| | |
|--|--|
| Working pressure | 90 bar |
| Burst test | 675 bar |
| Total dry weight incl. mounting set (3.1 kg) | 22.5 kg |
| Oil displacement | 0.102 l |
| Temperature range | -20°C to +80°C |
| Rotation | 90° ±1° |
| Hydraulic media and viscosities | We recommend acid-free hydraulic oil. Viscosity range: 15-200 cSt. For recommended brands and for other media than oil please refer to separate data sheet. |

Main Dimensions

Actuator shown in closed (fail-safe) position



All dimensions in mm

Valve adaption:

Approx. 5°

Adapter

Intermediate flange

Max. valve shaft intrusion: 55

Adjustment screw, torque: 6 Nm

7.5° 7.5°

Fastning nut, torque: 17 Nm

Limits for the machining of the adapter. Other shapes on request, please contact DMS.

| Shape | | | |
|-------------------|----------|----------|--------|
| Machined acc. to: | DIN 6885 | DIN 6885 | DIN 79 |
| mm (max.): | 35 | 35 | 30 |

All dimensions in mm

Performance

Performance:

Torque

| Valve Angle | State | Spring Return (Nm) | Working Pressure (Nm) | Break Away (Nm) |
|-------------|--------|--------------------|-----------------------|-----------------|
| 0° | closed | 102 | 102 | 181 |
| 90° | open | 129 | 129 | 149 |

Spring return

working pressure

break away opening

break away closing

end closing

end opening

0° closed

90° open

Spring action

Hydraulic action

open

closed

Operation port (B)

©2020 Emerson. All rights reserved.

The Emerson logo is a trademark and service mark of Emerson Electric Co. Damcos and the Damcos logotype are trademarks of Damcos A/S. Damcos is a member of the Emerson family of companies. All other marks are the property of their respective owners.

Emerson Automation Solutions

Damcos A/S
Aaderupvej 41
DK-4700 Naestved
T +45 5578 7200
F +45 5578 7272

www.Emerson.com/marine

The contents of this publication are presented for information purposes only, and while effort has been made to ensure their accuracy, they are not to be construed as warranties or guarantees, expressed or implied, regarding the products or services described herein or their use or applicability. Standard Terms and Conditions of Sale can be issued by contacting Damcos A/S. We reserve the right to modify or improve the designs and specifications of our products at any time without notice. Damcos A/S accepts no responsibility for any errors that may appear in this publication.