

Standard Drive & Bottom Mounting Details

XL26 - XL4581 Imperial Actuators

Basic Bottom Mounting Details

Model	ISO	A unc	B ^{±0.01"}	C ^{±0.01"}	D unc	E ^{±0.01"}
XL 26	F05	1/4"	0.35"	1.97"	1/4"	0.35"
XL 71	F07	5/16"	0.47"	2.76"	5/16"	0.47"
XL 131	F07	5/16"	0.47"	2.76"	5/16"	0.47"
XL 186	F07	5/16"	0.47"	2.76"	5/16"	0.47"
XL 221	F07	5/16"	0.47"	2.76"	5/16"	0.47"

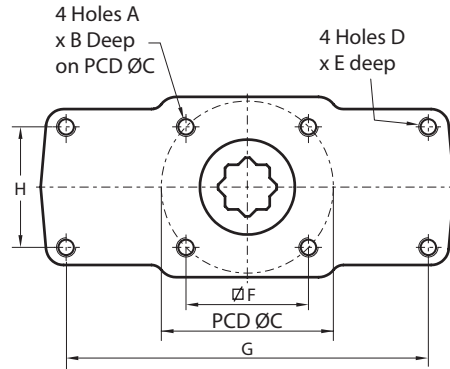
Model	F ^{±0.007"}	G ^{±0.006"}	H ^{±0.007"}
XL 26	1.39"	3.54"	1.39"
XL 71	1.95"	4.49"	1.95"
XL 131	1.95"	4.49"	1.95"
XL 186	1.95"	4.49"	1.95"
XL 221	1.95"	4.49"	1.95"

Models shown with optional Centering Ring fitted

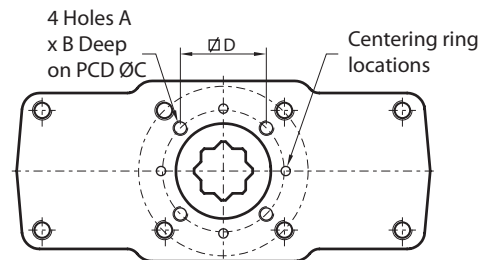
Additional Bottom Mounting Details

Model	ISO	A unc	B ^{±0.01"}	C ^{±0.01"}	D ^{±0.007"}
XL 26	F03	No10 x 24	0.32"	1.42"	1.00"
XL 71	F05	1/4"	0.35"	1.97"	1.39"
XL 131	F05	1/4"	0.35"	1.97"	1.39"

Models shown with optional Centering Ring removed to reveal additional ISO mounting holes.

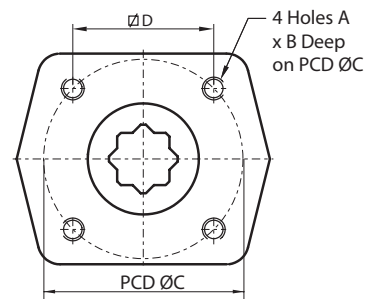


Note:
 - Dimensions in inches
 - Valve flange and drive according to ISO5211



Basic Bottom Mounting Details

Model	ISO	A unc	B ^{±0.01"}	C ^{±0.01"}	D ^{±0.007"}
XL 281	F07	5/16"	0.47"	2.76"	1.95"
XL 426	F10	3/8"	0.59"	4.02"	2.84"
XL 681	F10	3/8"	0.59"	4.02"	2.84"
XL 1127	F12	1/2"	0.71"	4.92"	3.48"
XL 1372	F12	1/2"	0.71"	4.92"	3.48"
XL 2586	F16	3/4"	0.79"	6.50"	4.59"
XL 4581	F16	3/4"	0.98"	6.50"	4.59"



Standard Drive Details

Model	ISO	A ^{±0.004}	B	ØC	D ^{±0.02}	E	F ^{±0.02}
XL 26	F05	0.71"	1.1"	0.58"	0.55"	0.551/0.555"	0.09"
XL 71	F07	0.87"	1.8"	0.7"	0.66"	0.669/0.673"	0.09"
XL 131	F07	0.87"	1.8"	0.7"	0.66"	0.669/0.673"	0.09"
XL 186	F07	0.87"	1.8"	0.7"	0.66"	0.669/0.673"	0.09"
XL 221	F07	0.87"	1.8"	0.7"	0.66"	0.669/0.673"	0.09"
XL 281	F07	0.87"	1.8"	0.7"	0.66"	0.669/0.673"	0.09"
XL 426	F10	1.11"	2.3"	0.9"	0.96"	0.866/0.871"	1.20"
XL 681	F10	1.11"	2.3"	0.9"	0.96"	0.866/0.871"	1.20"
XL 1127	F12	1.43"	2.8"	1.1"	1.16"	1.063/1.068"	1.00"
XL 1372	F12	1.43"	2.8"	1.1"	1.16"	1.063/1.068"	1.00"
XL 2586	F16	2.37"	3.9"	1.9"	1.91"	1.811/1.817"	1.40"
XL 4581	F16	2.37"	3.9"	1.9"	1.91"	1.811/1.817"	1.40"

