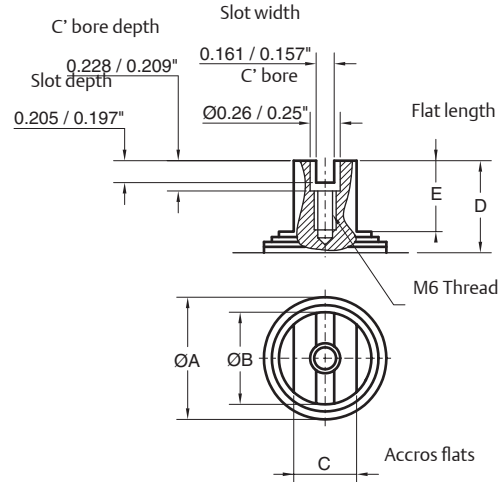


Top and Solenoid Mounting Details

XL26 - XL4581 Imperial Actuators

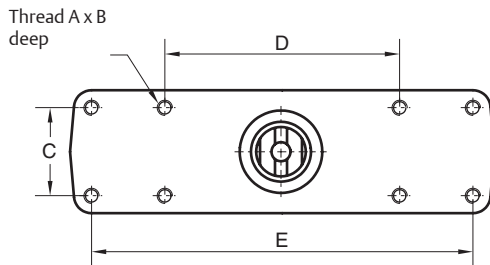
Pinion top details VDI/VDE3845 (NAMUR)

Model	ØA	ØB	C	D	E
XL 26	0.969" / 0.965"	0.653" / 0.650"	0.551" / 0.545"	0.791" / 0.783"	0.645" / 0.63"
XL 71					
XL 131					
XL 186	1.201" / 1.181"	0.925" / 0.917"	0.670" / 0.663"	0.791" / 0.783"	0.539" / 0.524"
XL 221					
XL 281	1.752" / 1.732"	1.713" / 1.705"	0.866" / 0.86"	0.791" / 0.783"	0.496" / 0.488"
XL 426	2.539" / 2.52"				
XL 681	2.736" / 2.717"				
XL 1127	3.56" / 3.54"	2.642" / 2.634"	1.417" / 1.411"	1.185" / 1.177"	0.712" / 0.705"
XL 1372	3.76" / 3.74"	2.815" / 2.807"	1.575" / 1.569"		
XL 2586					
XL 4581					

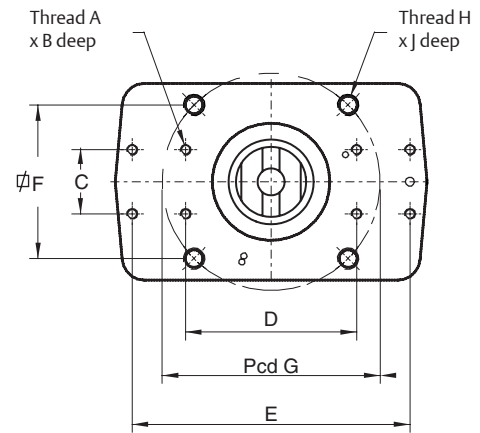


Top Mounting details VDI/VDE3845 (NAMUR)

XL 26 - XL221



XL 281 - XL4581



Model	A unc	B	C	D	E	ISO	F	H	J	G
XL 26	No10 x 24	0.24"	1.18"	3.15"	-	-/-	-/-	-/-	-/-	-/-
XL 71	No10 x 24	0.24"	1.18"	3.15"	-	-/-	-/-	-/-	-/-	-/-
XL 131	No10 x 24	0.24"	1.18"	3.15"	5.12"	-/-	-/-	-/-	-/-	-/-
XL 186	No10 x 24	0.24"	1.18"	3.15"	5.12"	-/-	-/-	-/-	-/-	-/-
XL 221	No10 x 24	0.24"	1.18"	3.15"	5.12"	-/-	-/-	-/-	-/-	-/-
XL 281	No10 x 24	0.315"	1.18"	3.15"	5.12"	F07	1.95	5/16"-18	0.47	2.76
XL 426	No10 x 24	0.315"	1.18"	3.15"	5.12"	F10	2.84	3/8"-16	0.59	4.02
XL 681	No10 x 24	0.315"	1.18"	3.15"	5.12"	F10	2.84	3/8"-16"	0.59	4.02
XL 1127	No10 x 24	0.315"	1.18"	5.12"	-	F12	3.48	1/2"-13	0.71	4.92
XL 1372	No10 x 24	0.315"	1.18"	5.12"	-	F12	3.48	1/2"-13	0.71	4.92
XL 2586	No10 x 24	0.315"	1.18"	5.12"	-	F16	4.59	3/4"-10	0.79	6.50
XL 4581	No10 x 24	0.315"	1.18"	5.12"	-	F16	4.59	3/4"-10	0.79	6.50

Product Data sheet

D89 Rev. 0 Page 2 of 2

October 2017

Hytork XL

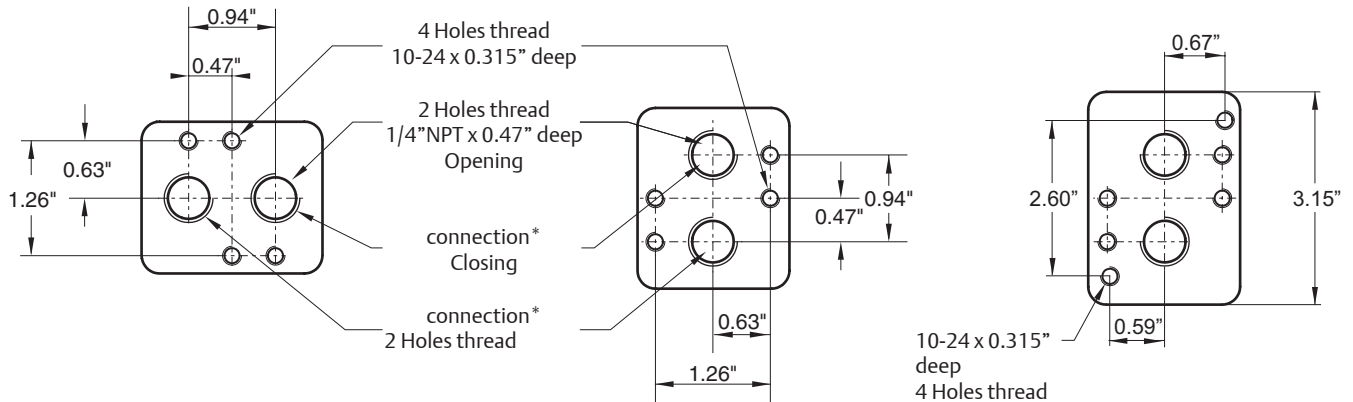
NAMUR Solenoid Mounting details

Additional drilling pattern

XL26 - XL221

XL281 - XL4581

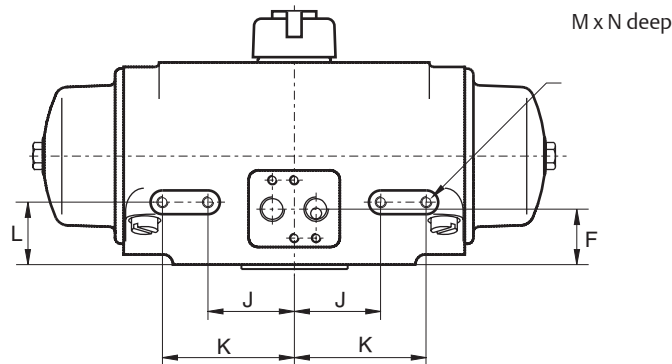
XL2586 & XL4581



Note:

* "Opening" or "Closing" port operation, as shown, is for standard (Spring-to-Close) actuators. For reverse acting actuators (Spring-to-Open) the port operation is also reversed.

Additional Front mounting patterns (XL26 to XL221)



Dimensions in inches						
Model	F	J	K	L	M	N
XL26	1.14	1.22	1.81	1.26	10-24	0.26
XL71	1.14	1.33	2.31	1.26	10-24	0.26
XL131	1.18	1.86	2.85	1.34	1/4"-20	0.26
XL186	1.18	2.41	3.40	1.34	1/4"-20	0.26
XL221	1.30	2.46	3.44	1.46	1/4"-20	0.26

HYTORK™

EMERSON™