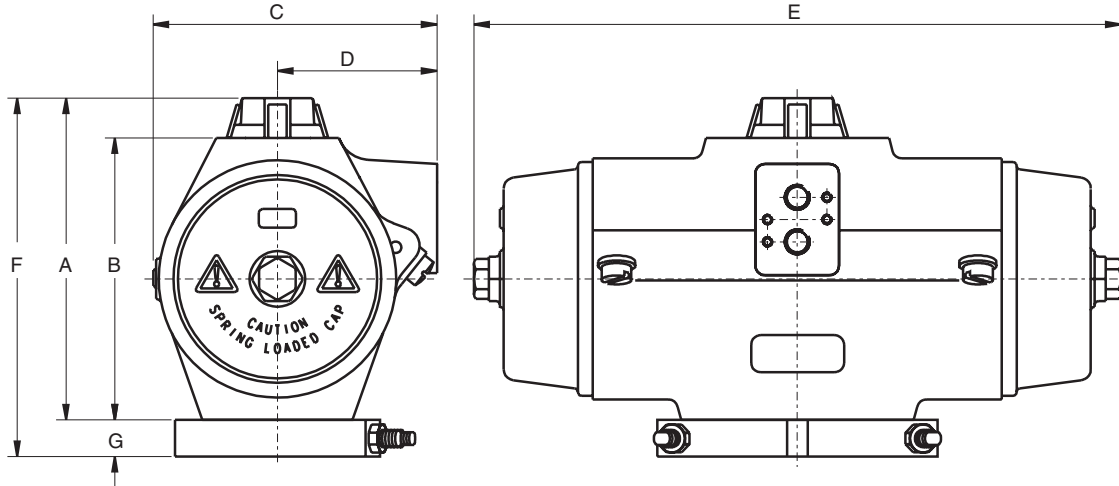


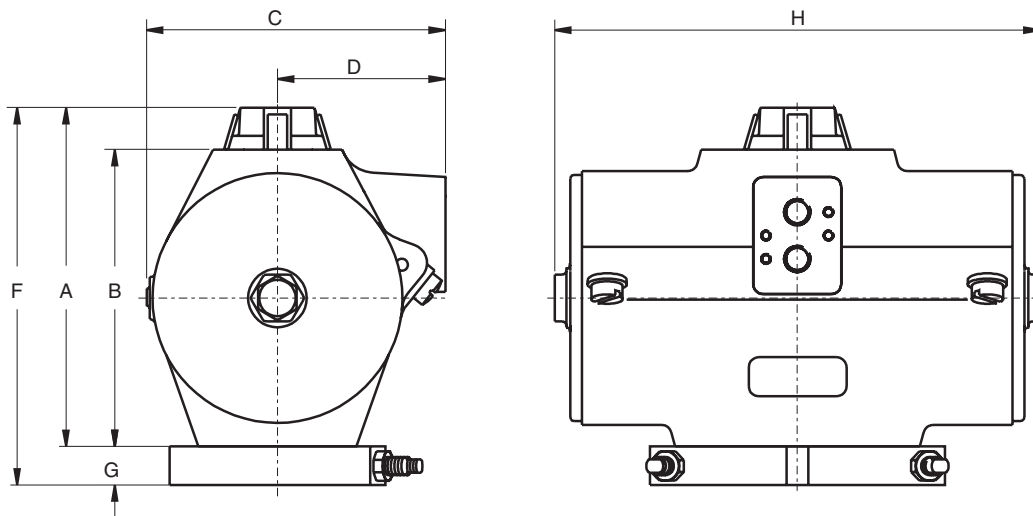
Envelope Dimensions

XL2586 / XL4581 Actuators with Stop Blocks (Imperial)



Spring Return Units

Models	A	B	C	D	E	F	G	Weight (lbf)	
								Block	Assembly
XL2586	11.50"	10.24"	9.96"	5.16"	33.94"	13.31"	1.81"	21.0	195.0
XL4581	15.28"	14.02"	12.64"	6.30"	34.80"	17.09"	1.81"	21.0	334.0



Double Acting Units

Models	A	B	C	D	H	F	G	Weight (lbf)	
								Block	Assembly
XL2586	11.50"	10.24"	9.96"	5.16"	18.39"	13.27"	1.81"	21.0	122.0
XL4581	15.28"	14.02"	12.64"	6.30"	20.28"	17.05"	1.81"	21.0	204.0