

# Universal Mount for Rosemount™ Wireless WT210 Corrosion Transmitter



- Alternative to stud welding on pipes operating up to 797 °F (425 °C)
- Compatible with Rosemount Wireless WT210 Corrosion Transmitters
- Compatible with piping ranging in size from NPS 4 to NPS 20

# Universal Mount for Rosemount™ Wireless WT210 Corrosion Transmitter

## Introduction

The Universal Mount is a mounting solution which allows a single WT210 transmitter to be installed on pipe diameters NPS 4 to NPS 20 without the need for stud welding. The strap and spring assembly of this mount are engineered to deliver consistent performance of the transmitter up to 797 °F (425 °C), on a range of pipe materials. The Universal Mount and WT210 transmitter can be installed while piping is in active operation.

## Ordering information

### Optimizing lead time

The starred offerings (★) represent the most common options and should be selected for the fastest delivery times. The non-starred offerings are subject to additional delivery lead times.

**Table 1: Ordering Information for Universal Mount for Rosemount Wireless WT210 Corrosion Transmitter**

Part number	Description	
PERMA-2009-0001	Universal Mount for Rosemount Wireless WT210 Corrosion Transmitter (including strap)	★
PERMA-2006-0003	Replacement Strap for Universal Mount 5 ft. (1.5 m)	★

---

## Contents

Universal Mount for Rosemount™ Wireless WT210 Corrosion Transmitter.....	2
Ordering information.....	2
Specifications.....	3
Dimensional drawing.....	4

# Specifications

## Physical specifications

### Material selection

Emerson provides a variety of Rosemount products with various product options and configurations including materials of construction that can be expected to perform well in a wide range of applications. The Rosemount product information presented is intended as a guide for the purchaser to make an appropriate selection for the application. It is the purchaser's sole responsibility to make a careful analysis of all process parameters (such as all chemical components, temperature, pressure, flow rate, abrasives, contaminants, etc.), when specifying product materials, options, and components for the particular application. Emerson is not in a position to evaluate or guarantee the compatibility of the process fluid or other process parameters with the product options, configuration, or materials of construction selected.

### Weight

11 lb. (5 kg)

### Materials of construction

<b>Base material</b>	Stainless steel 316L
<b>Stud material</b>	Stainless steel 316L
<b>Fastener material</b>	Stainless steel 316L
<b>Spring material</b>	Inconel 718
<b>Strap material</b>	17-7 PH stainless steel
<b>Lanyard</b>	Stainless steel 316L

## Performance specifications

### Temperature limits

<b>Operating temperature</b>	-22 °F to 797 °F (-30 °C to 425 °C)
<b>Storage temperature</b>	-22 °F to 167 °F (-30 °C to 75 °C)

### Compatibility

<b>Transmitter</b>	Rosemount™ Wireless WT210 Corrosion Transmitter
<b>Pipe mounting</b>	Compatible on pipes with NPS 4 - NPS 20 diameters (including elbows)

### Supplied hardware

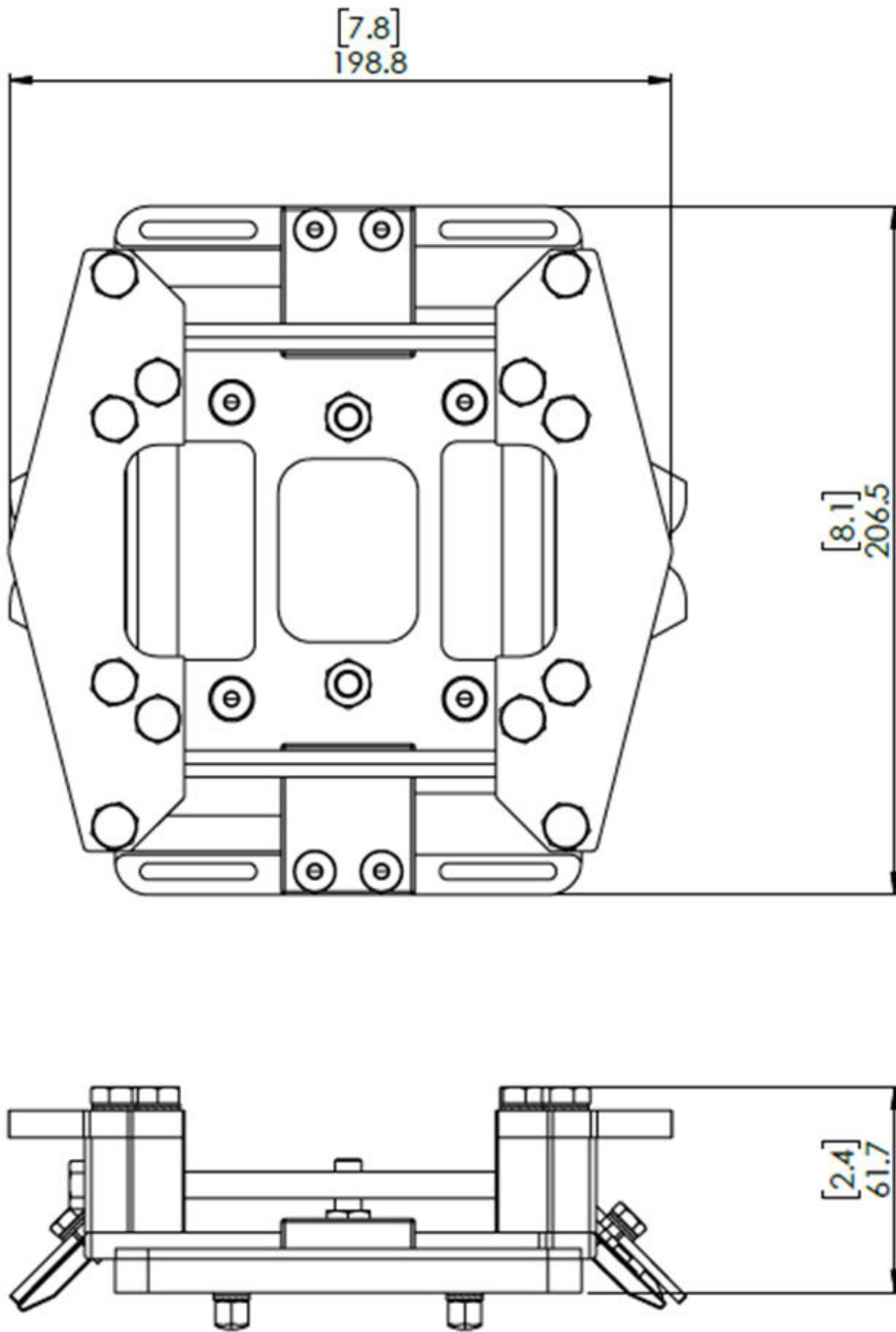
- Sensor bed assembly (including studs for mounting)
- 5 ft. (1.58 m) strap

# Dimensional drawing

Dimensions are displayed as:

$\frac{[\text{inches}]}{\text{millimeters}}$

Figure 1: Universal Mount for Rosemount™ Wireless WT210 Corrosion Transmitter









For more information: [Emerson.com/global](https://emerson.com/global)

©2024 Emerson. All rights reserved.

Emerson Terms and Conditions of Sale are available upon request. The Emerson logo is a trademark and service mark of Emerson Electric Co. Rosemount is a mark of one of the Emerson family of companies. All other marks are the property of their respective owners.