

Vision 19 and 24 Vision Monitor Series



Introduction

The Vision Monitors are available in 19" (5:4 format) and 24" (16:9 format).

All monitors are equipped with wide angle view, full dimming, front mounted buzzer and touch screen.

The Vision monitors have splash-proof fronts when mounted in panels/consolas and have front mounting for easy fitting into consolas.

All of the monitors can be mounted with the Vision CPU on back.

Tilt-adjustable stands are available for all sizes.

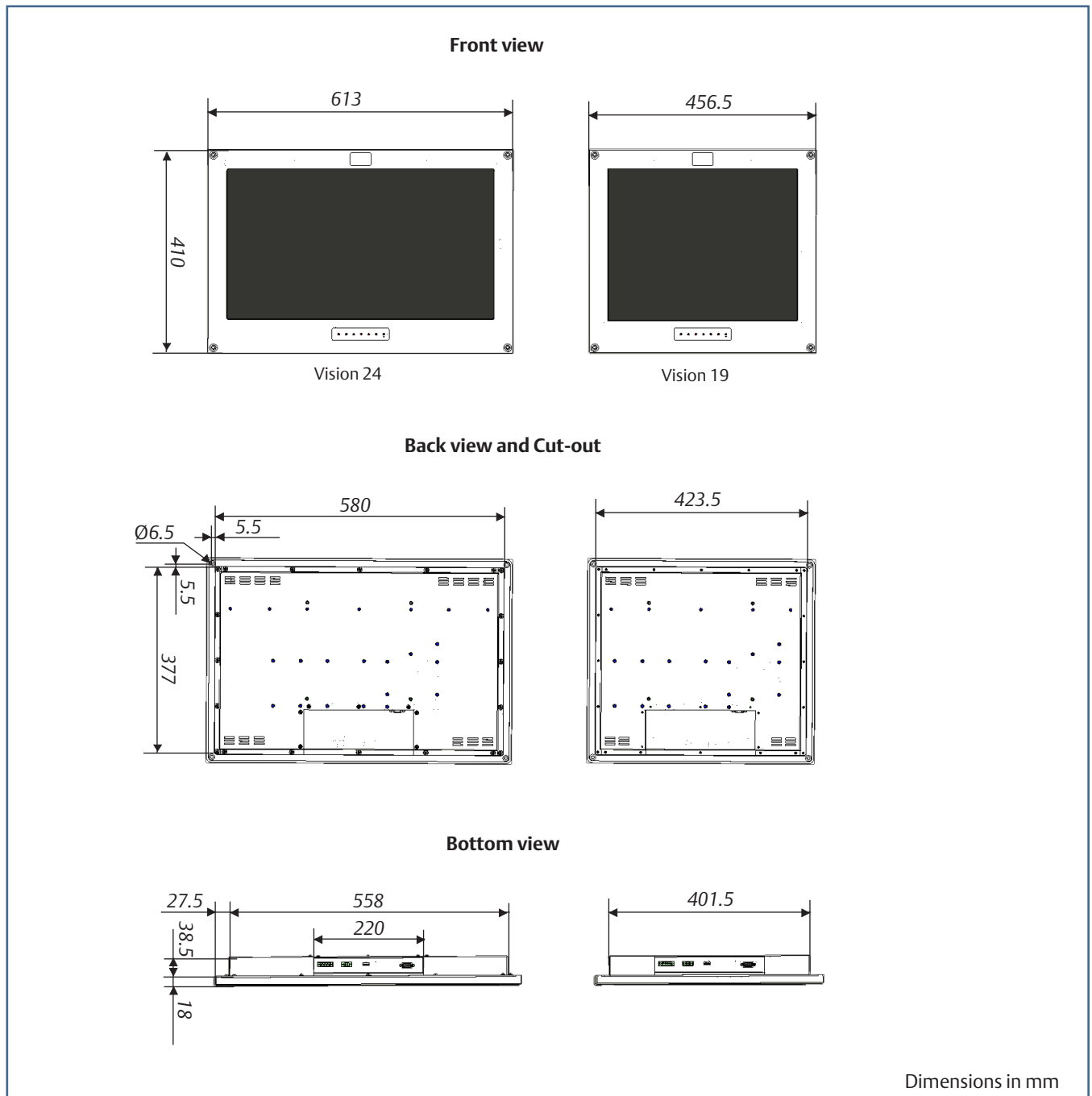


Features

- Robust design adapted for the marine environments
- Various installation possibilities in a panel or on a console or desk
- All monitors are available with touch screen
- 24 VDC (Optional 230 VAC, as an external 230 VAC to 24 VDC PSU)

Item/Type	No.	Description
Vision 19	165B9163	19" Monitor
Vision 24	165B9177	24" Monitor
Vision 19 Touch	165B9164	19" Touch-screen Monitor
Vision 24 Touch	165B9162	24" Touch-screen Monitor
Accessories		
Vision USB cable	165B9072	USB touch-Cable 1.8 m
Vision USB cable (CPU)	165B9075	USB touch-Cable 20cm (when mounted with Vision CPU on back)
Vision 19/24 Stand	165B9167	Stand for Vision 19/24
Vision display cable	165B9172	Display cable 1.8m
Vision display cable (CPU)	165B9173	Display cable 20cm (when mounted with Vision CPU on back)

Dimensions - Vision 19 and 24



Panel cut-outs

Vision 19: (W) 423.5 x (H) 377 mm

Vision 24: (W) 580 x (H) 377 mm

Corner holes placement are the same for all monitors, 5.5 x 5.5 mm to cut-out dimensions.

Corner Ø-hole is 6.5 mm or 10 mm, if expansion nut is used.

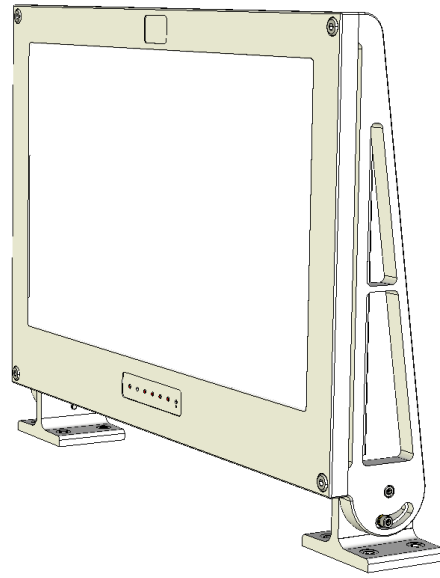
Vision Stand Mounting

The stand is type approved to carry all monitors with the Vision CPU mounted on the back. Also the stand can carry the monitors reversed thus enabling ceiling mounting.

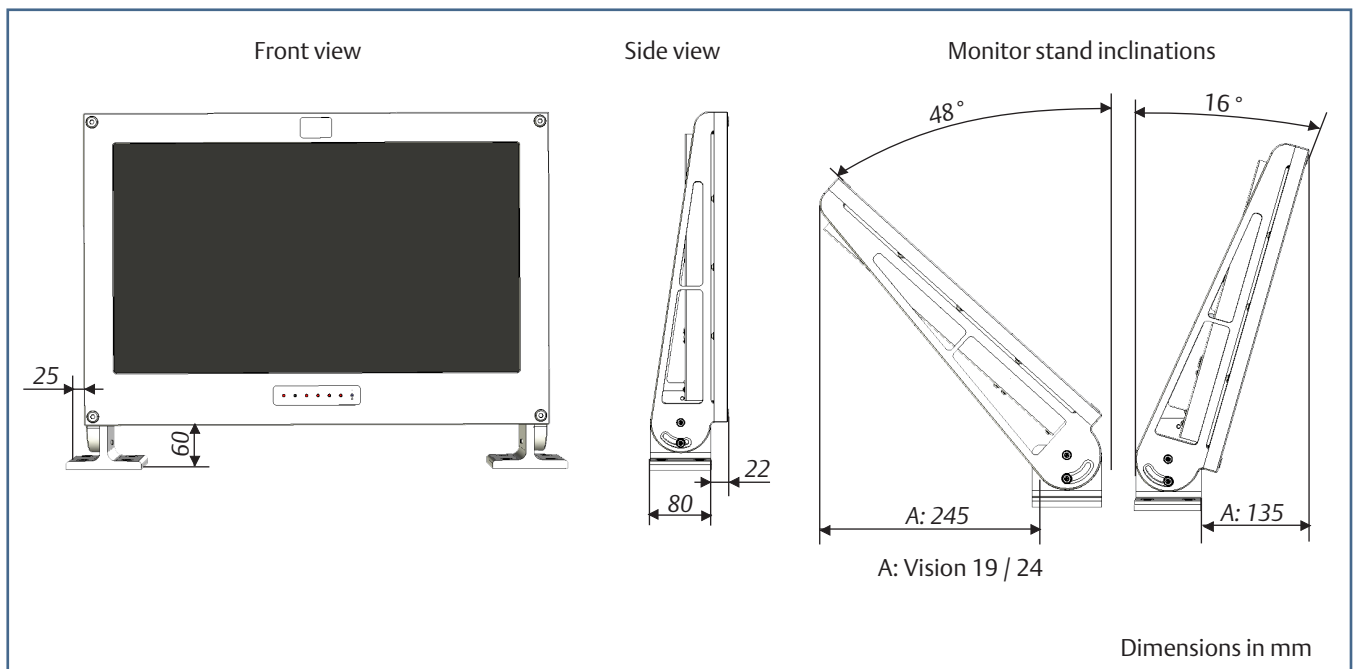
Adjustments of the inclination of the stand is done with a standard metric 5 mm Hex-tool.

Mounting Considerations

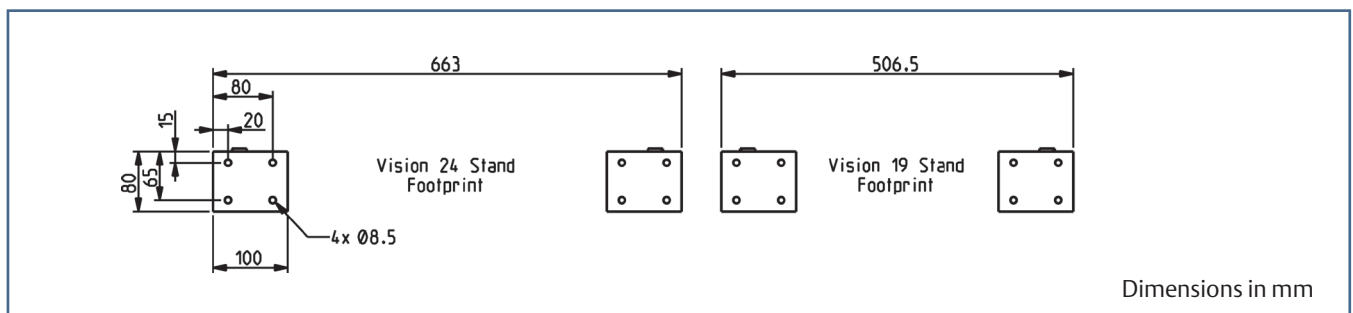
The stand is approved according to the IACS-E10 / IEC-60945, but require that the mounting base (table, panel, ceiling) is of equal mechanical sturdiness, or if mounted in soft structure, that it is placed in an environment where severe vibrations do not occur.



Vision Stand General



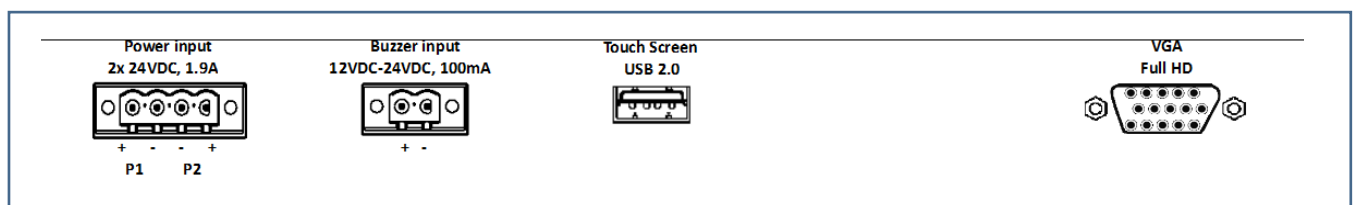
Vision Stand Cut-out for Vision 17 / 19 / 24



Technical Specifications

	Vision 19	Vision 24
Display specifications	HQ TFT with LED backlight	
Native display resolution	1280x1024, 5:4	1920x1080, 16:9
Supported display resolutions	VGA: 640x480 SVGA: 800x600 XGA: 1024X768 SXGA: 1280X1024	VGA: 640x480 SVGA: 800x600 XGA: 1024X768 SXGA: 1280X1024 UXGA: 1600x1200 FHD: 1920x1080 WUXGA: 1920x1200
Input connectors	VGA, D-SUB15 USB Type A for Touch screen connection Buzzer input, 2-pin terminal-block (Phoenix, 5,08 pitch, screwmount) Power input, 4-pin terminal-block (Phoenix, 5,08 pitch, screwmount)	
Monitor controls	On Screen Display with buttons on front: - Power on/off and screen adjustments - Hot-keys: Dimming and Auto-adjustment - LED indication for: Power on (Green), Power off (Red), no signal (Yellow)	
Front mounted buzzer and input	80 dba waterproof piezo buzzer Input: 5 VDC to 32 VDC, max 60mA	
Power supply and consumption	Power input: 2x24 VDC, (18 - 32VDC, common ground) 35 W full brightness 43 W full brightness	
Size (WxHxD)	456.5x410x38.5 mm	613x410x38.5 mm
Weight	8 kg	11 kg
Enviromental specifications	Operating: +5°C to +55°C, 95% Humidity (for maximum lifespan, an operation temp. from +5°C to +40°C is recommended) Storage: +5°C to +60°C, 95% Humidity	
IP-rating	At front, IP34 At back, IP22	
Approvals	Conform to IACS-E10 (Rev. 8 2021) and IEC60945 (EN 60945;2002) To be type approved by DNV-GL, LR, BV, ABS, KR, RINA, NK and CCS	

I/O Panel - Connectors and LED's



About Emerson's Marine Solutions

Emerson is a world-leading provider of marine solutions with engineering excellence, decades of industry experience and global presence supporting any ship anywhere. All marine systems and solutions are designed especially for the harsh marine environments, engineered and manufactured in-house by our skilled teams of marine engineers. Emerson is well-known in the industry and has more than 50 years' experience with a large installed base and covers well-known marine brands such as Rosemount, Micro Motion and Damcos. Supporting marine customers from a global network of sales and service hubs along the maritime highway.

To learn more about Emerson's marine solutions, visit **[Emerson.com/marine](https://www.emerson.com/marine)**

To contact Emerson's marine experts, visit **[Emerson.com/marinecontacts](https://www.emerson.com/marinecontacts)**

The Emerson logo is trademark and service mark of Emerson Electric Co.
The Rosemount, MicroMotion and Damcos logotypes are registered trademarks of one of the Emerson family of companies. All other marks are the property of their respective owners.

©February 2022 Emerson. All rights reserved.

