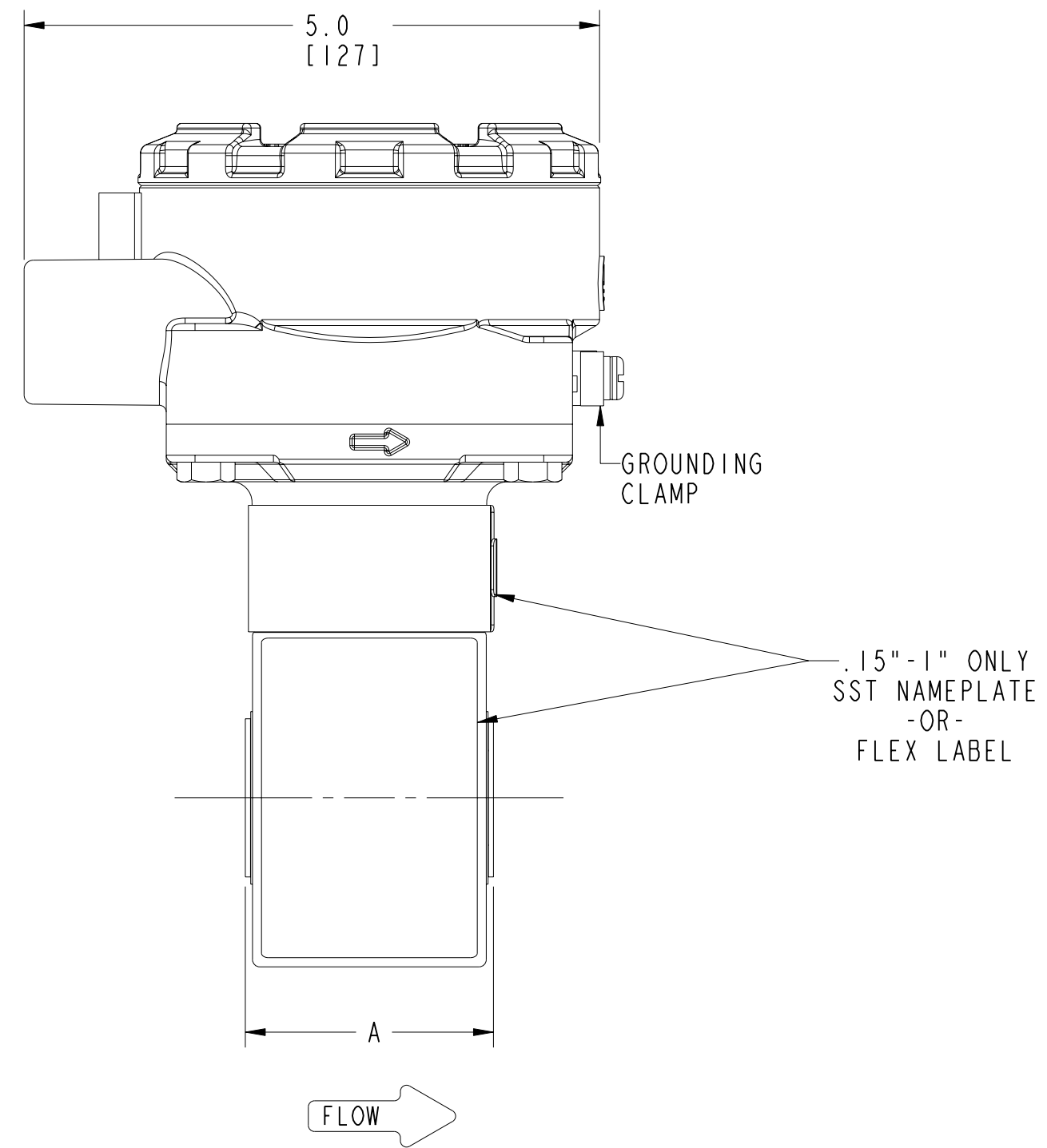
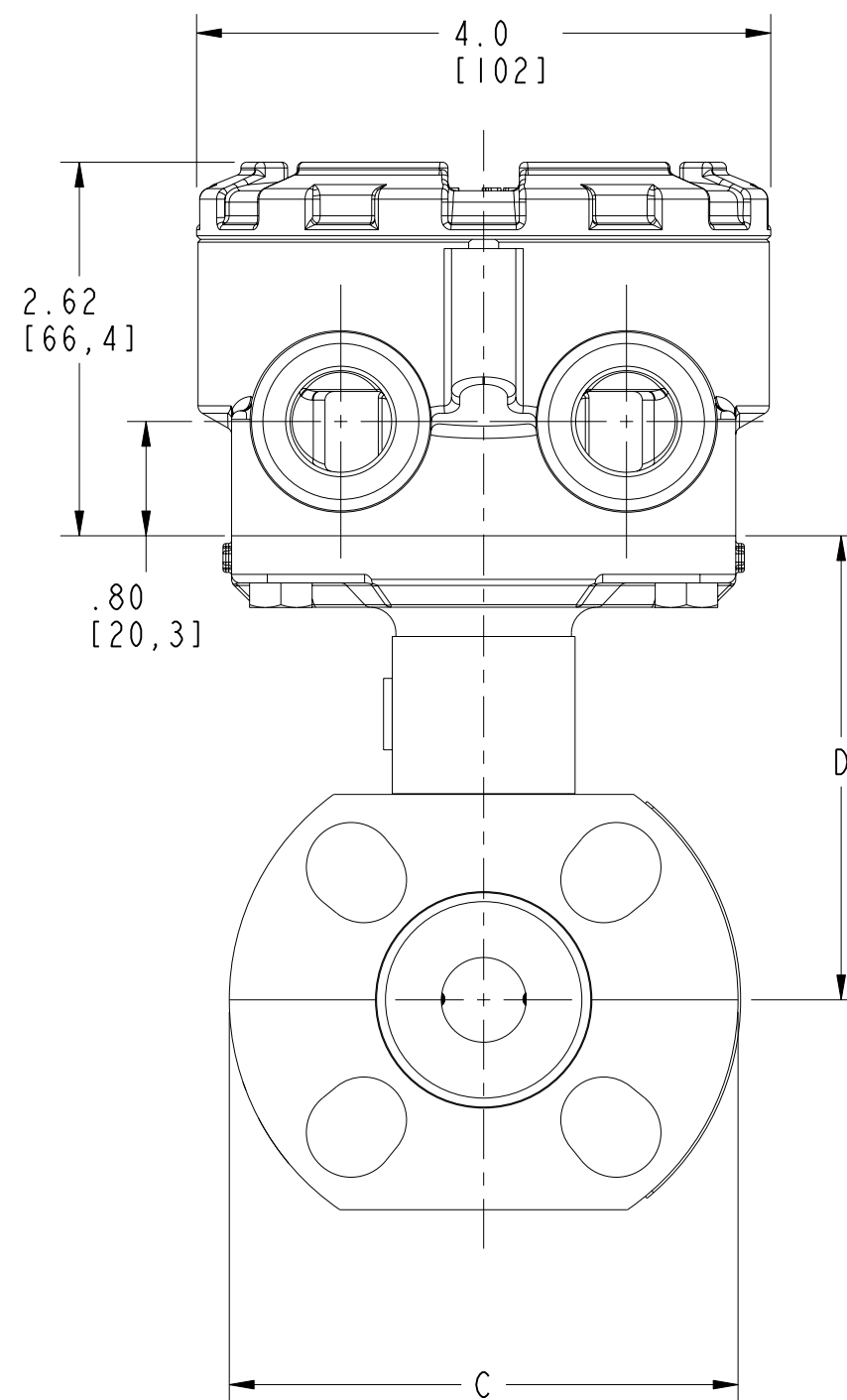


REVISION TABLE			
REVISION	ECO NO.	APP'D	DATE
AL	RTF1051623	NM	5/2/15
DESCRIPTION			
CORRECT LINE SIZE COLUMN ON INCH AND MILLIMETER TABLES LINE SIZE 2"(50) WAS 2"(20)			

**STANDARD WAFER MAGMETER  
.15" TO 1"  
STYLE A**

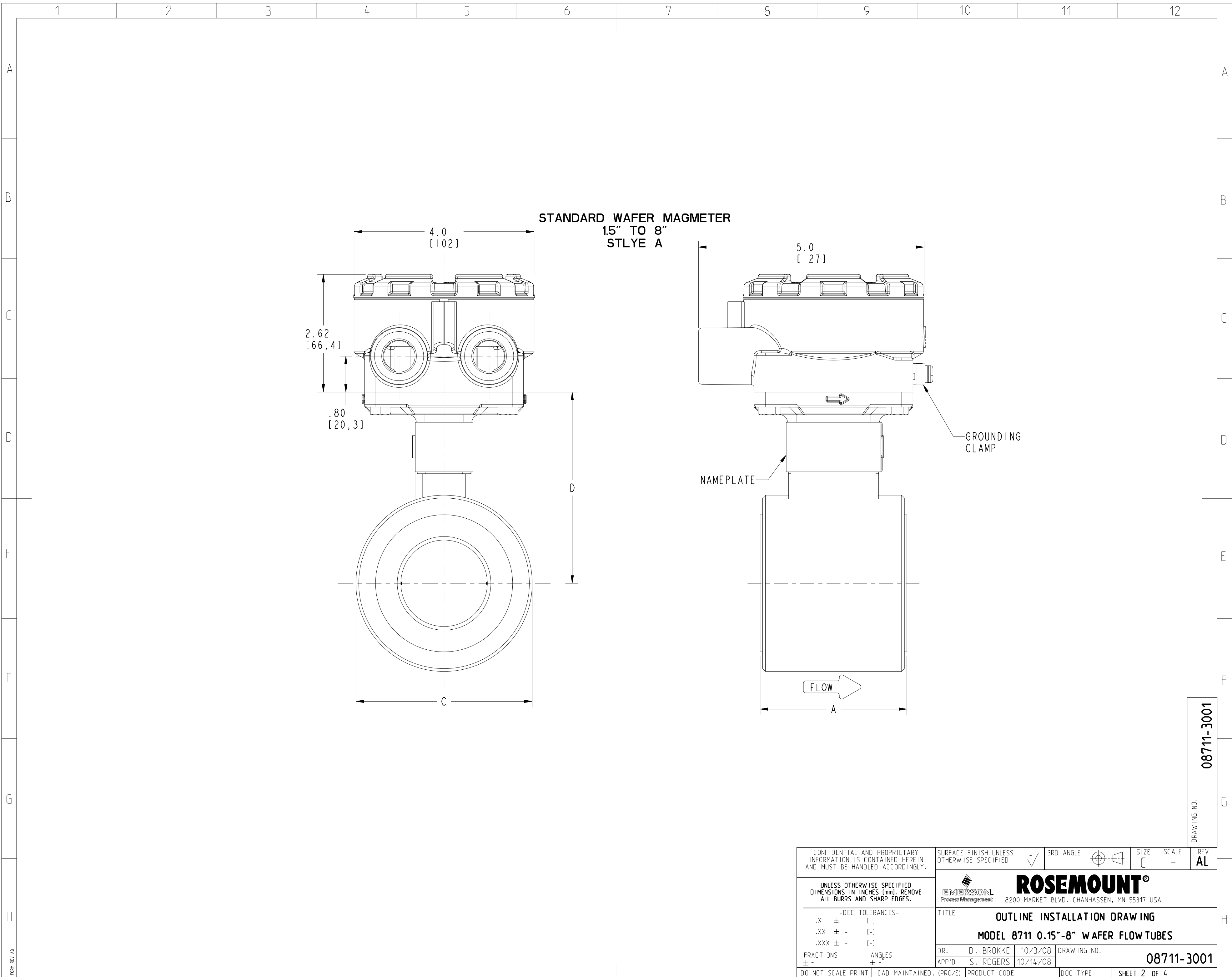


2. STYLE A REFERS TO ANY FLOWTUBE WITH REMOTE MOUNTING OPTION R OR INTEGRAL MOUNTING OPTION U. (EXAMPLE MODEL CODE: 8711XXXXRXXX OR 8711XXXXUXXX)  
STYLE B REFERS TO ANY FLOWTUBE WITH REMOTE MOUNTING OPTION L OR INTEGRAL MOUNTING OPTION M. (EXAMPLE MODEL CODE: 8711XXXXLXXX OR 8711XXXXMXXX)
1. ROSEMOUNT INC. CERTIFIES THESE DRAWINGS ARE IN ACCORDANCE WITH ROSEMOUNT ENGINEERING SPECIFICATIONS AND ACCURATELY REPRESENTS THE EQUIPMENT FURNISHED.

NOTES:

CONFIDENTIAL AND PROPRIETARY INFORMATION IS CONTAINED HEREIN AND MUST BE HANDLED ACCORDINGLY.	SURFACE FINISH UNLESS OTHERWISE SPECIFIED	3RD ANGLE	SIZE C	SCALE -	REV AL
UNLESS OTHERWISE SPECIFIED DIMENSIONS IN INCHES (mm). REMOVE ALL BURRS AND SHARP EDGES.	<b>ROSEMOUNT®</b> 8200 MARKET BLVD. CHANHASSEN, MN 55317 USA				
-DEC TOLERANCES- .X ± - [-] .XX ± - [-] .XXX ± - [-]	TITLE <b>OUTLINE INSTALLATION DRAWING MODEL 8711 0.15"-8" WAFER FLOW TUBES</b>				
FRACTIONS ± - ANGLES ± -	DR. D. BROKKE	10/3/08	DRAWING NO. <b>08711-3001</b>		
DO NOT SCALE PRINT	CAD MAINTAINED. (PRO/E)	PRODUCT CODE	DOC TYPE	SHEET 1 OF 4	

DRAWING NO. **08711-3001**

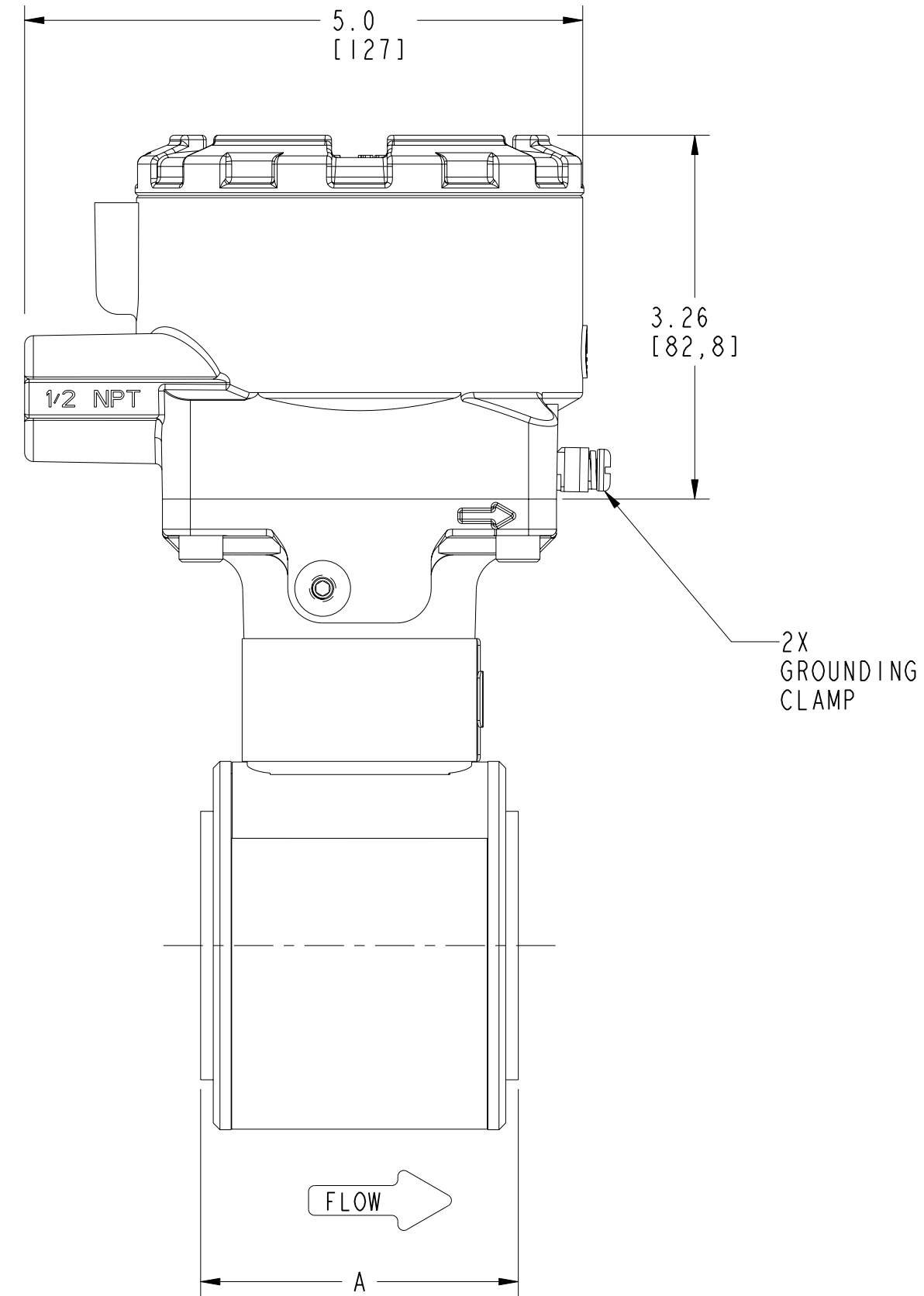
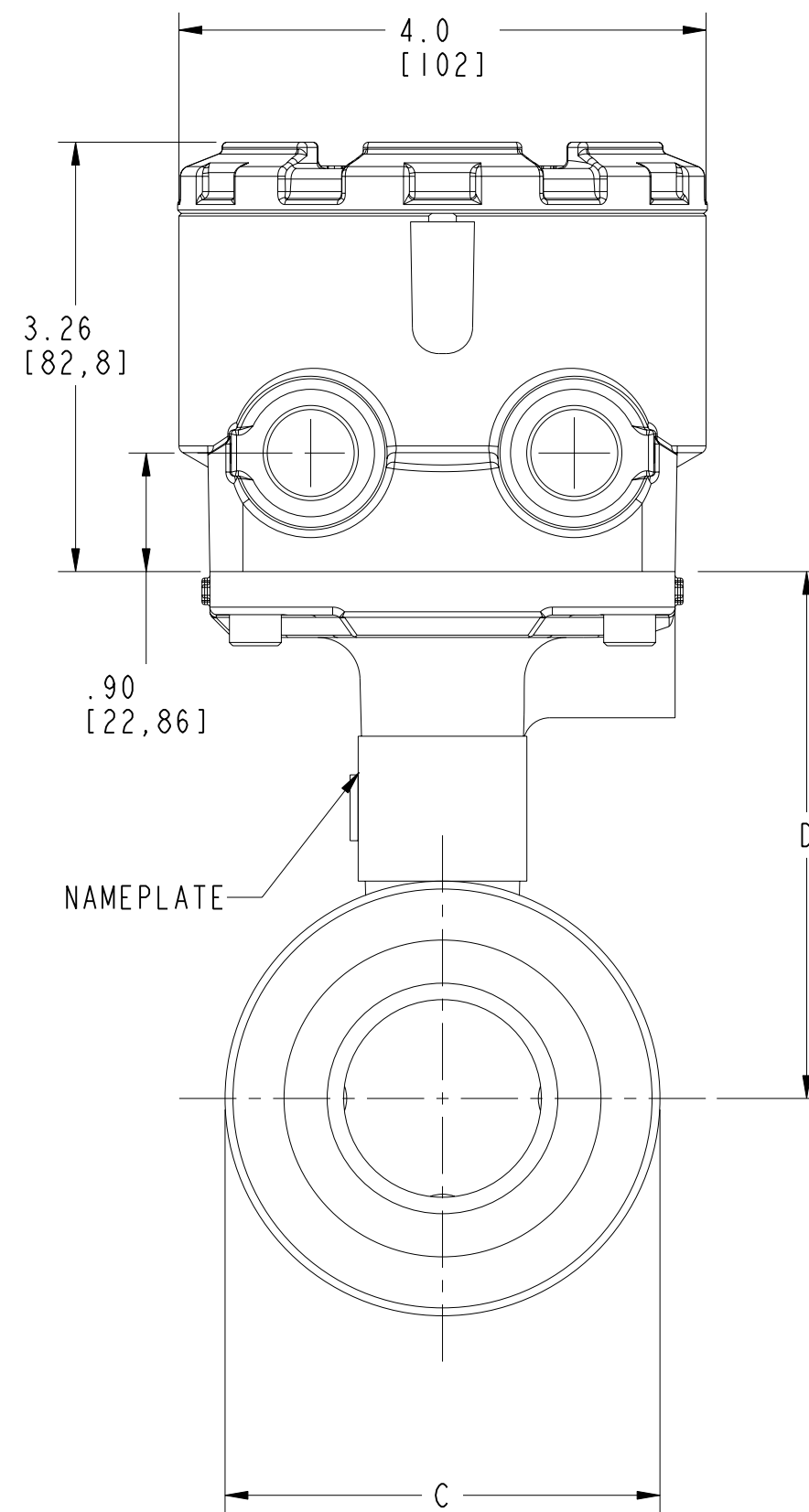


**STANDARD WAFER MAGMETER  
1.5" TO 8"  
STYLE A**

DRAWING NO. 08711-3001

CONFIDENTIAL AND PROPRIETARY INFORMATION IS CONTAINED HEREIN AND MUST BE HANDLED ACCORDINGLY.	SURFACE FINISH UNLESS OTHERWISE SPECIFIED <input checked="" type="checkbox"/>	3RD ANGLE <input checked="" type="checkbox"/>	SIZE C	SCALE -	REV AL
	<b>EMERSON</b> Process Management 8200 MARKET BLVD. CHANHASSEN, MN 55317 USA				
UNLESS OTHERWISE SPECIFIED DIMENSIONS IN INCHES (mm). REMOVE ALL BURRS AND SHARP EDGES.	<b>ROSEMOUNT®</b>				
-DEC TOLERANCES- .X ± - [-] .XX ± - [-] .XXX ± - [-] FRACTIONS ± - ANGLES ± -	TITLE <b>OUTLINE INSTALLATION DRAWING</b> <b>MODEL 8711 0.15"-8" WAFER FLOW TUBES</b>				
DO NOT SCALE PRINT CAD MAINTAINED. (PRO/E)	DR. D. BROKKE	10/3/08	DRAWING NO.		<b>08711-3001</b>
	APP'D S. ROGERS	10/14/08	PRODUCT CODE	DOC TYPE	SHEET 2 OF 4

I.S. WAFER MAGMETER  
1.5" TO 8"  
STYLE B



DRAWING NO. 08711-3001

CONFIDENTIAL AND PROPRIETARY INFORMATION IS CONTAINED HEREIN AND MUST BE HANDLED ACCORDINGLY.		SURFACE FINISH UNLESS OTHERWISE SPECIFIED <input checked="" type="checkbox"/>		3RD ANGLE <input checked="" type="checkbox"/>	SIZE C	SCALE -	REV AL
UNLESS OTHERWISE SPECIFIED DIMENSIONS IN INCHES (mm). REMOVE ALL BURRS AND SHARP EDGES.		<b>ROSEMOUNT®</b> 8200 MARKET BLVD. CHANHASSEN, MN 55317 USA					
-DEC TOLERANCES-		TITLE					
.X ± -	[-]	OUTLINE INSTALLATION DRAWING					
.XX ± -	[-]	MODEL 8711 0.15"-8" WAFER FLOW TUBES					
.XXX ± -	[-]	DR. D. BROKKE 10/3/08		DRAWING NO. 08711-3001			
FRACTIONS ± -	ANGLES ± -	APP'D S. ROGERS 10/14/08					
DO NOT SCALE PRINT		CAD MAINTAINED. (PRO/E)		PRODUCT CODE		DOC TYPE SHEET 3 OF 4	

1	2	3	4	5	6	7	8	9	10	11	12	
A												A
B												B
C												C
D												D
E												E
F												F
G												G
H												H

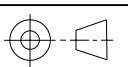

**TABLE 1 -- INCH**

SIZE, DESCRIPTION	MODEL NUMBER	OVERALL LENGTH				DIM "D" CL TO TUBE ADAPTER		LINER Ø ON FACE DIM "J"	FLOW TUBE WEIGHT (lbs.)
		DIM "A" PTFE	DIM "A" ETFE	DIM "A" PFA	BODY Ø DIM "C"	STYLE A	STYLE B		
0.15 (4) WAFER UP TO ANSI - 150# / DIN PN16	8711 _ _ 15F			2.17	3.56	3.25		1.37	4
0.3 (8) WAFER UP TO ANSI - 150# / DIN PN16	8711 _ _ 30F			2.17	3.56	3.25		1.37	4
0.5 (15) WAFER UP TO ANSI - 300# / DIN PN40	8711 _ _ 005	2.21	2.16		3.56	3.25		1.38	4
1 (25) WAFER UP TO ANSI - 300# / DIN PN40	8711 _ _ 010	2.26	2.13		4.50	3.56		1.94	5
1.5 (40) WAFER UP TO ANSI - 300# / DIN PN40	8711 _ _ 015	2.88	2.73		3.29	3.67	4.00	2.42	5
2 (50) WAFER UP TO ANSI - 300# / DIN PN40	8711 _ _ 020	3.32	3.26		3.92	3.89	4.32	3.05	7
3 (80) WAFER UP TO ANSI - 300# / DIN PN40	8711 _ _ 030	4.82	4.62		5.17	4.51	4.95	4.41	13
4 (100) WAFER UP TO ANSI - 300# / DIN PN40	8711 _ _ 040	6.03	5.83		6.39	5.12	5.56	5.80	22
6 (150) WAFER UP TO ANSI - 300# / DIN PN40	8711 _ _ 060	7.08	6.87		8.57	6.22	6.65	7.86	35
8 (200) WAFER UP TO ANSI - 300# / DIN PN40	8711 _ _ 080	9.06	8.86		10.63	7.25	7.68	9.86	60

**TABLE 1 -- MILLIMETER**

SIZE, DESCRIPTION	MODEL NUMBER	OVERALL LENGTH				DIM "D" CL TO TUBE ADAPTER		LINER Ø ON FACE DIM "J"	FLOW TUBE WEIGHT (lbs.)
		DIM "A" PTFE	DIM "A" ETFE	DIM "A" PFA	BODY Ø DIM "C"	STYLE A	STYLE B		
0.15 (4) WAFER UP TO ANSI - 150# / DIN PN16	8711 _ _ 15F			55	90	83		35	2
0.3 (8) WAFER UP TO ANSI - 150# / DIN PN16	8711 _ _ 30F			55	90	83		35	2
0.5 (15) WAFER UP TO ANSI - 300# / DIN PN40	8711 _ _ 005	56	55		90	83		35	2
1 (25) WAFER UP TO ANSI - 300# / DIN PN40	8711 _ _ 010	57	54		114	90		49	2
1.5 (40) WAFER UP TO ANSI - 300# / DIN PN40	8711 _ _ 015	73	69		84	93	102	61	2
2 (50) WAFER UP TO ANSI - 300# / DIN PN40	8711 _ _ 020	84	83		100	99	110	77	3
3 (80) WAFER UP TO ANSI - 300# / DIN PN40	8711 _ _ 030	122	117		131	115	126	112	6
4 (100) WAFER UP TO ANSI - 300# / DIN PN40	8711 _ _ 040	153	148		162	130	141	147	10
6 (150) WAFER UP TO ANSI - 300# / DIN PN40	8711 _ _ 060	180	174		218	158	169	200	16
8 (200) WAFER UP TO ANSI - 300# / DIN PN40	8711 _ _ 080	230	225		270	184	195	250	27

DRAWING NO. 08711-3001

CONFIDENTIAL AND PROPRIETARY INFORMATION IS CONTAINED HEREIN AND MUST BE HANDLED ACCORDINGLY.	SURFACE FINISH UNLESS OTHERWISE SPECIFIED <input checked="" type="checkbox"/>	3RD ANGLE 	SIZE C	SCALE -	REV AL
UNLESS OTHERWISE SPECIFIED DIMENSIONS IN INCHES (mm). REMOVE ALL BURRS AND SHARP EDGES.	 <b>ROSEMOUNT®</b> 8200 MARKET BLVD. CHANHASSEN, MN 55317 USA				
-DEC TOLERANCES- .X ± - [-] .XX ± - [-] .XXX ± - [-]	TITLE <b>OUTLINE INSTALLATION DRAWING</b>				
FRACTIONS ± - ANGLES ± -	MODEL <b>8711 0.15"-8" WAFER FLOW TUBES</b>				
DO NOT SCALE PRINT	CAD MAINTAINED. (PRO/E)	PRODUCT CODE	DOC TYPE	SHEET 4 OF 4	
DR. D. BROKKE 10/3/08		DRAWING NO. 08711-3001		APP'D S. ROGERS 10/14/08	