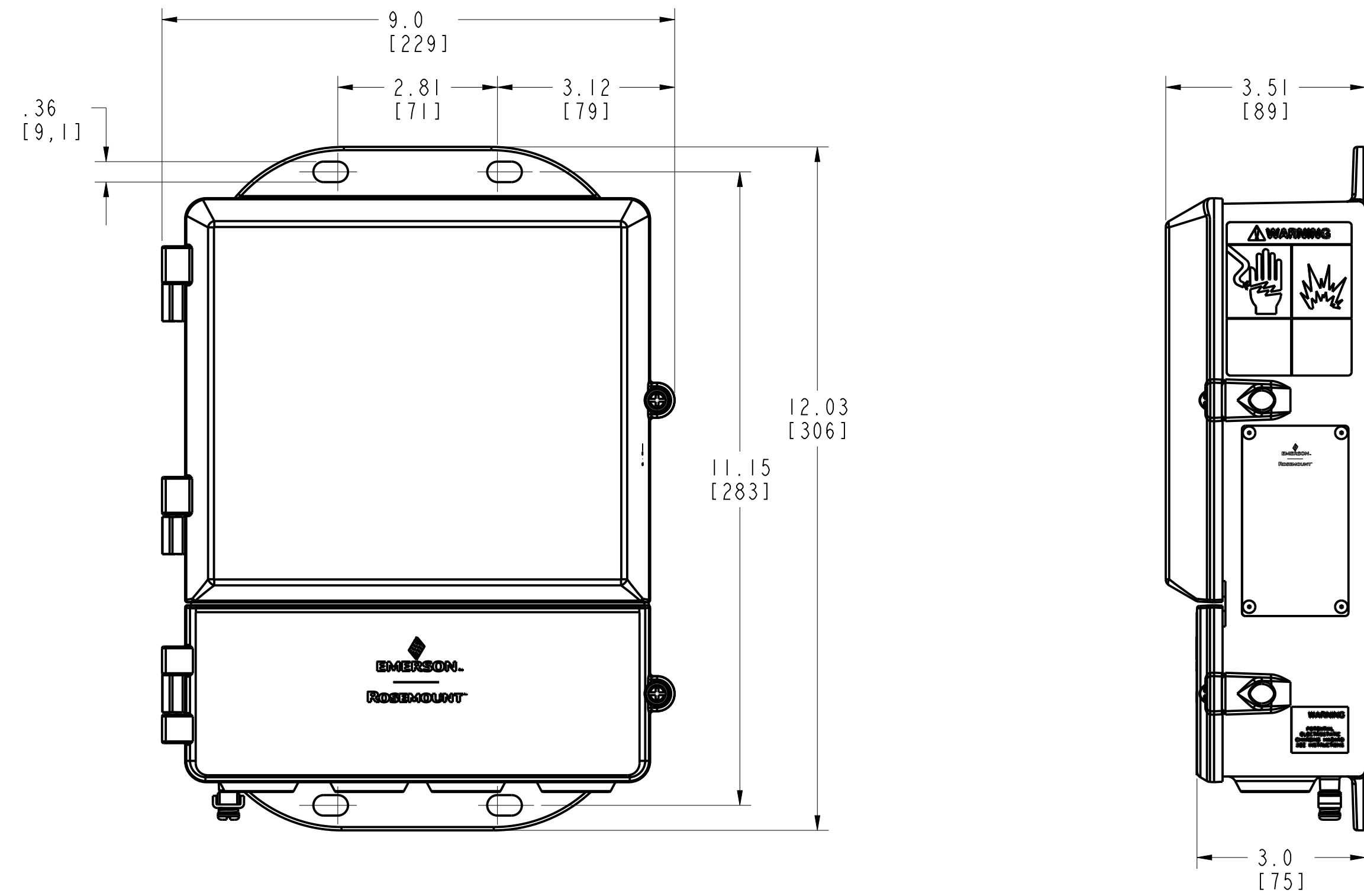
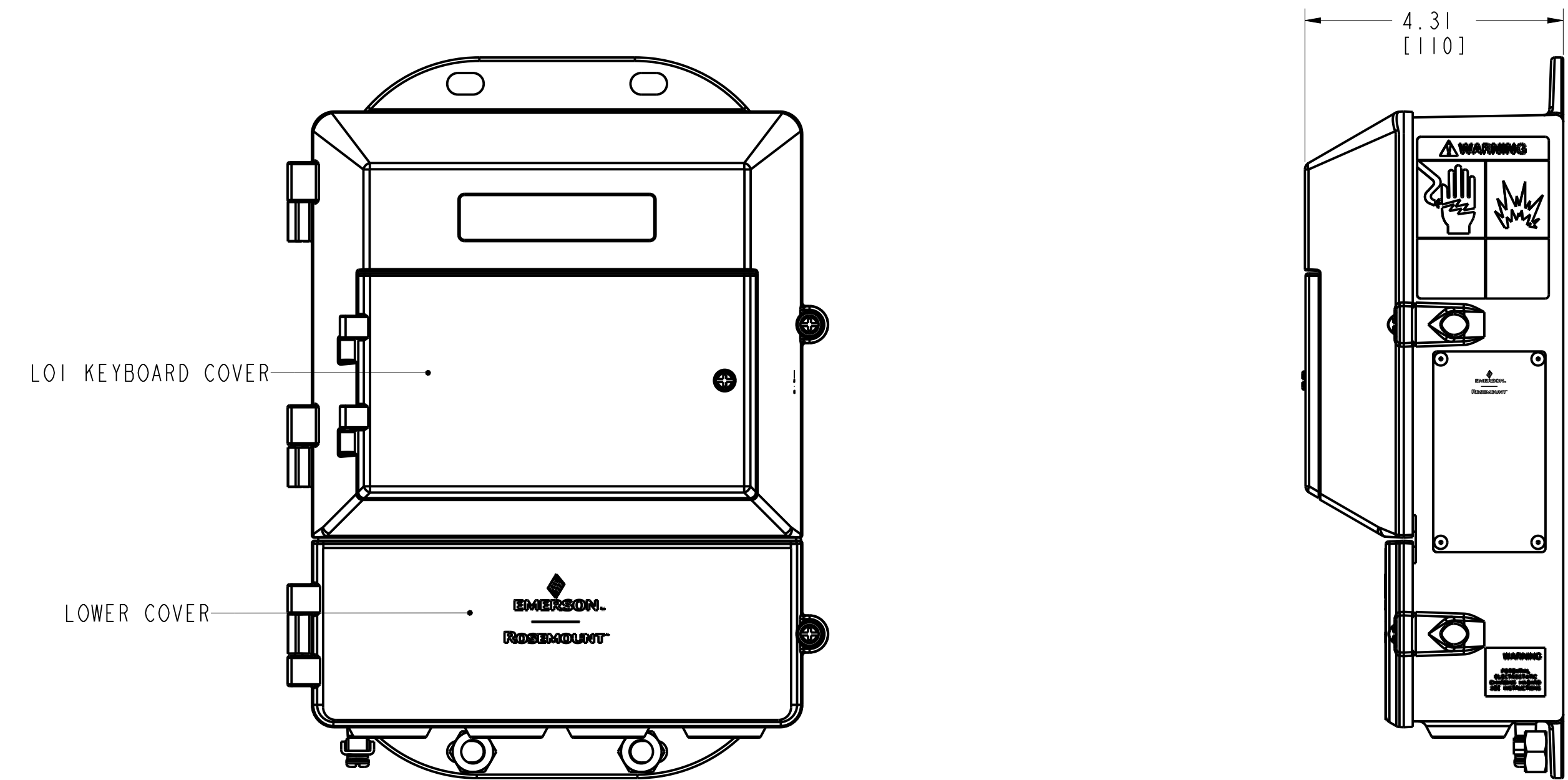


STANDARD COVER

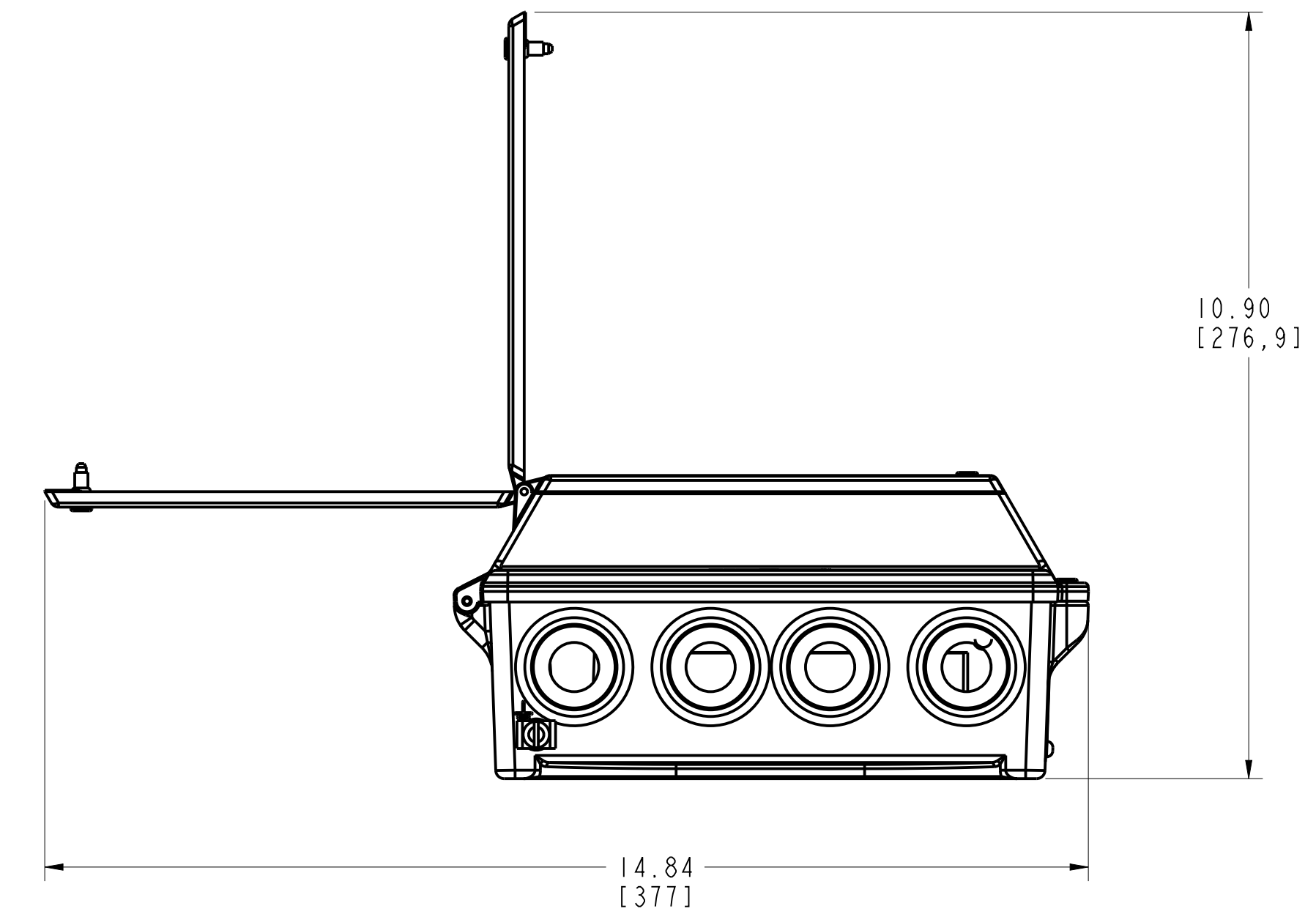
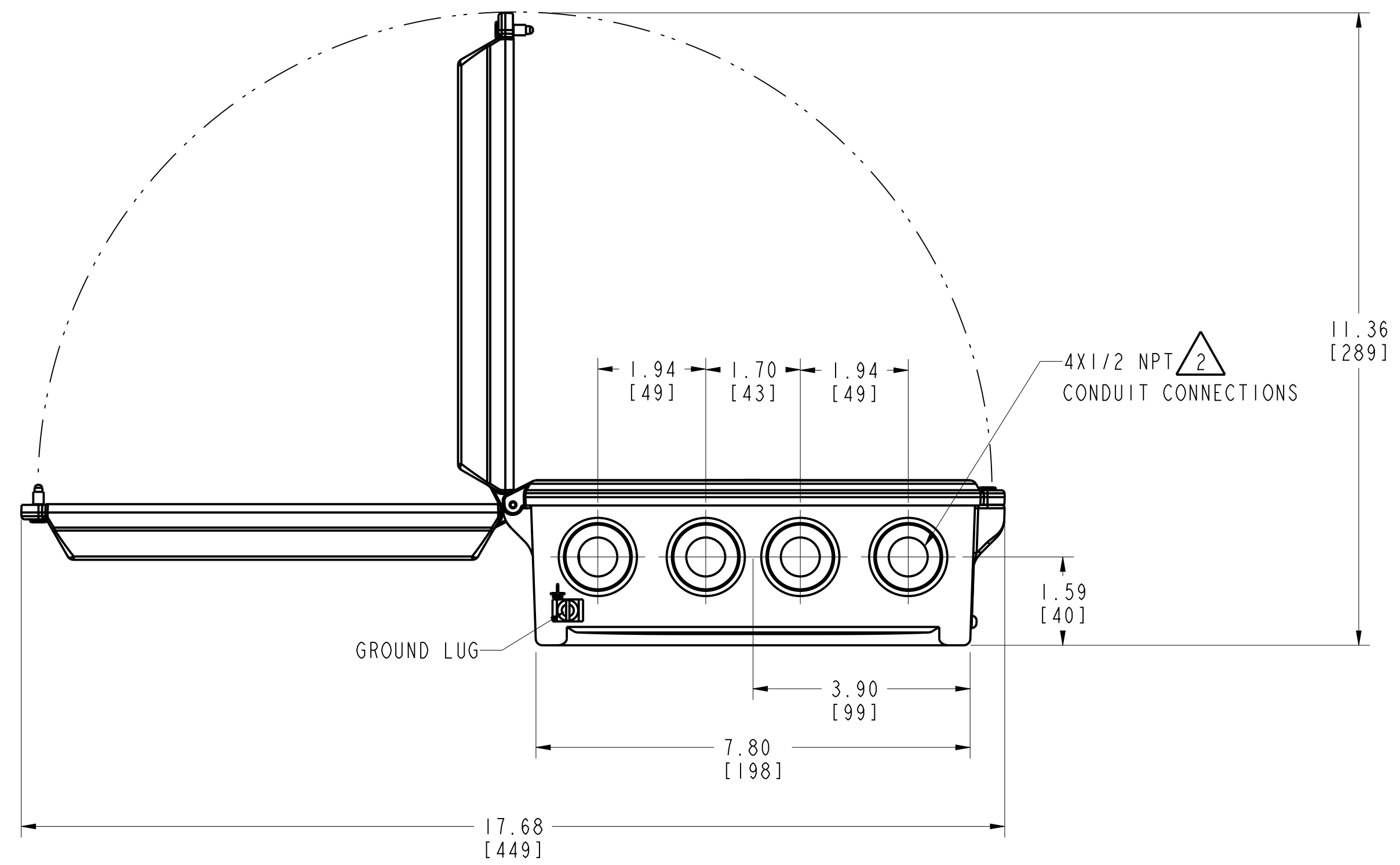


LOI COVER

USE WITH M4 OPTION



| REVISION TABLE | | | |
|-----------------|---------|-------|-----------|
| REVISION | ECO NO. | APP'D | DATE |
| AA | XXXXX | A.L | 5/24/2023 |
| DESCRIPTION | | | |
| INITIAL RELEASE | | | |



4. CONSULT PRODUCT MANUAL FOR DETAILED INFORMATION ON INSTALLATION, OPERATION OR MAINTENANCE. FAILURE TO DO SO COULD RESULT IN INJURY OR DAMAGE.

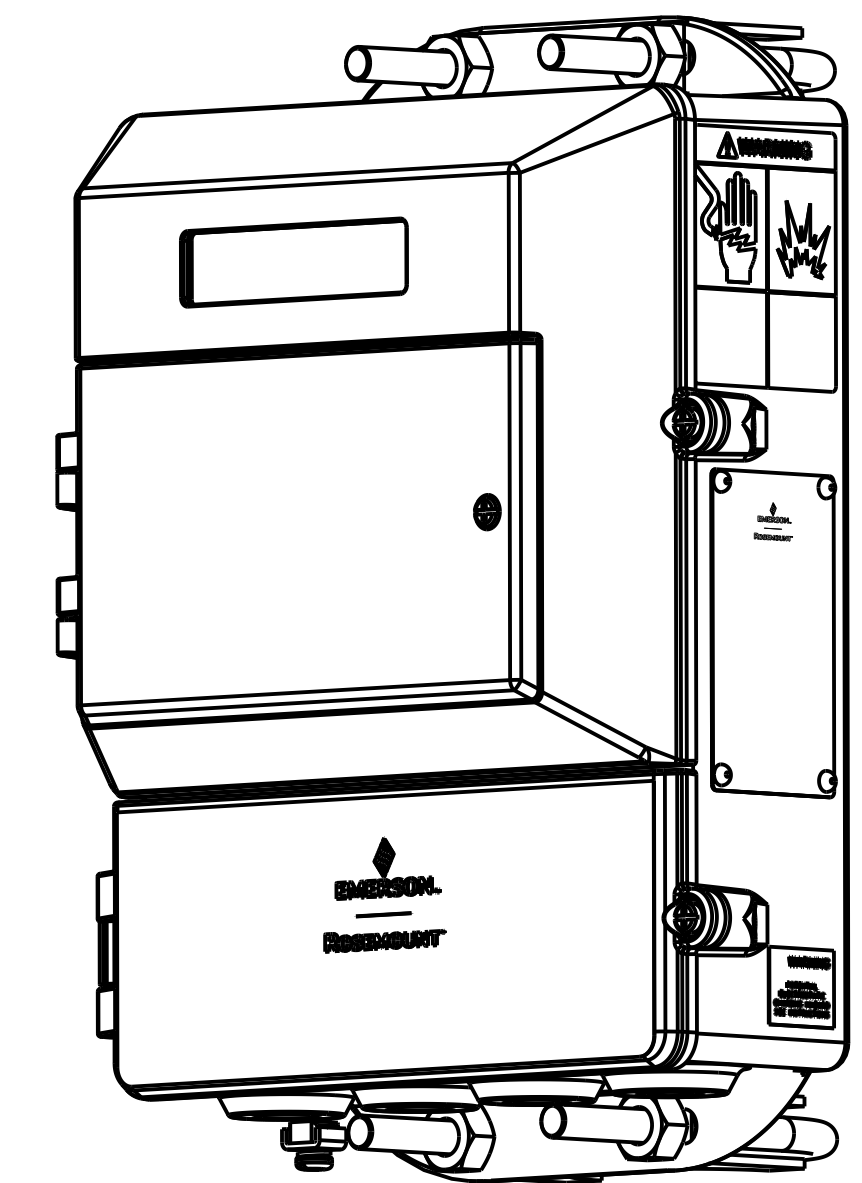
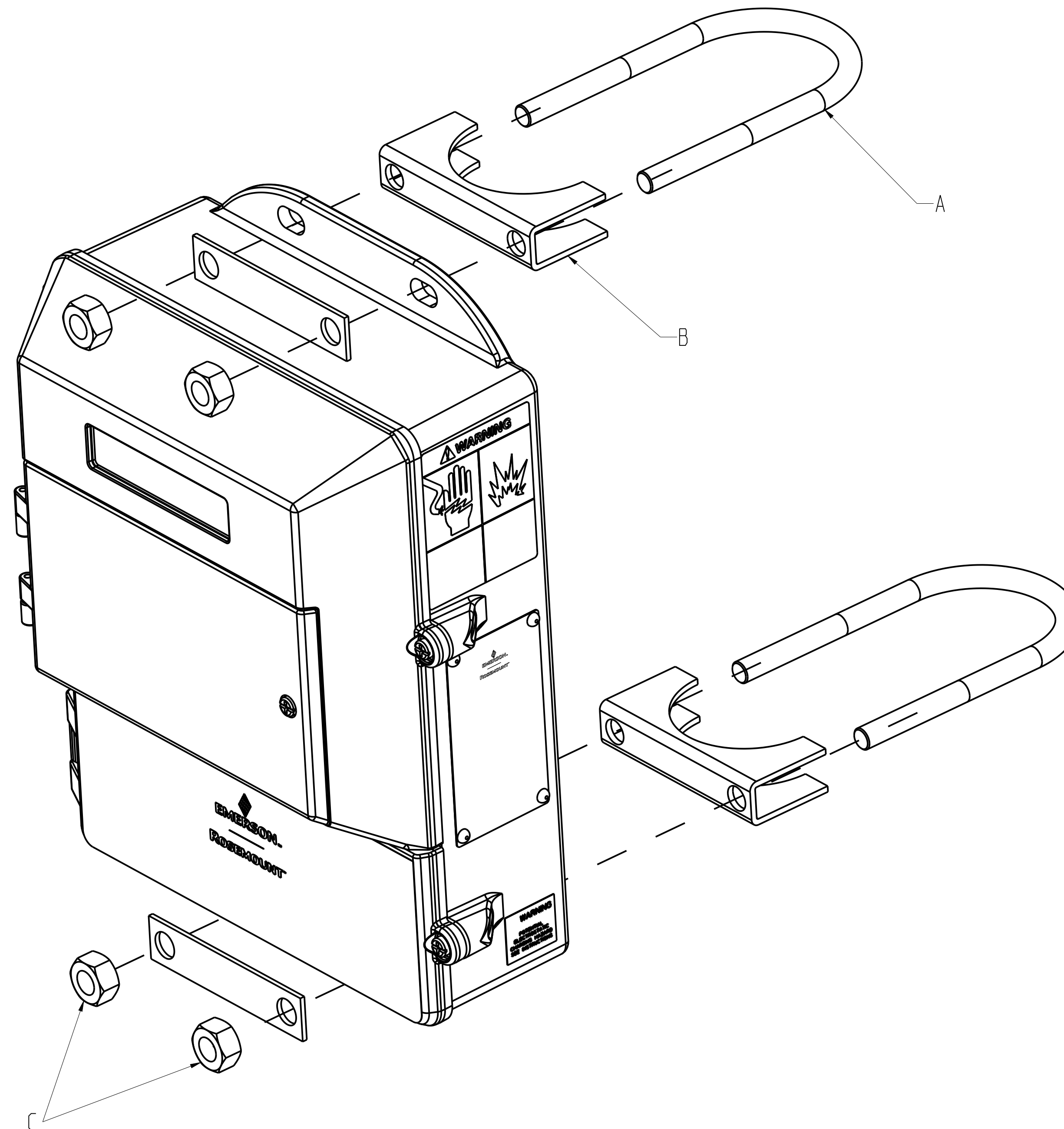
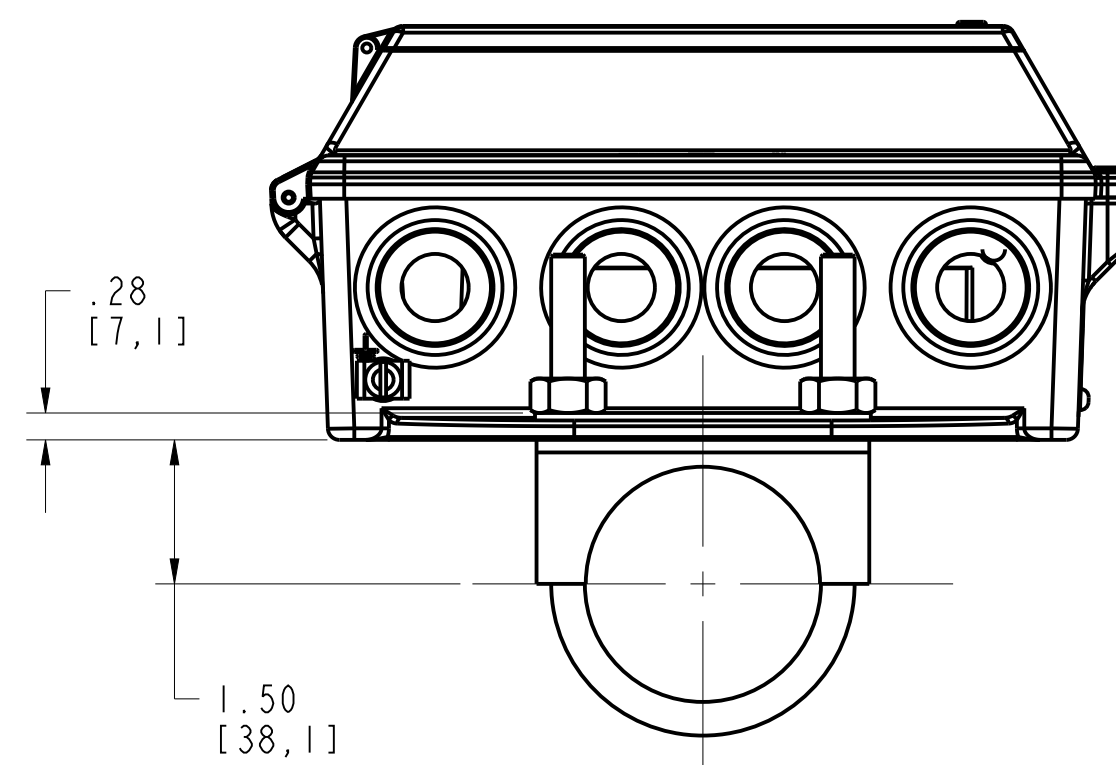
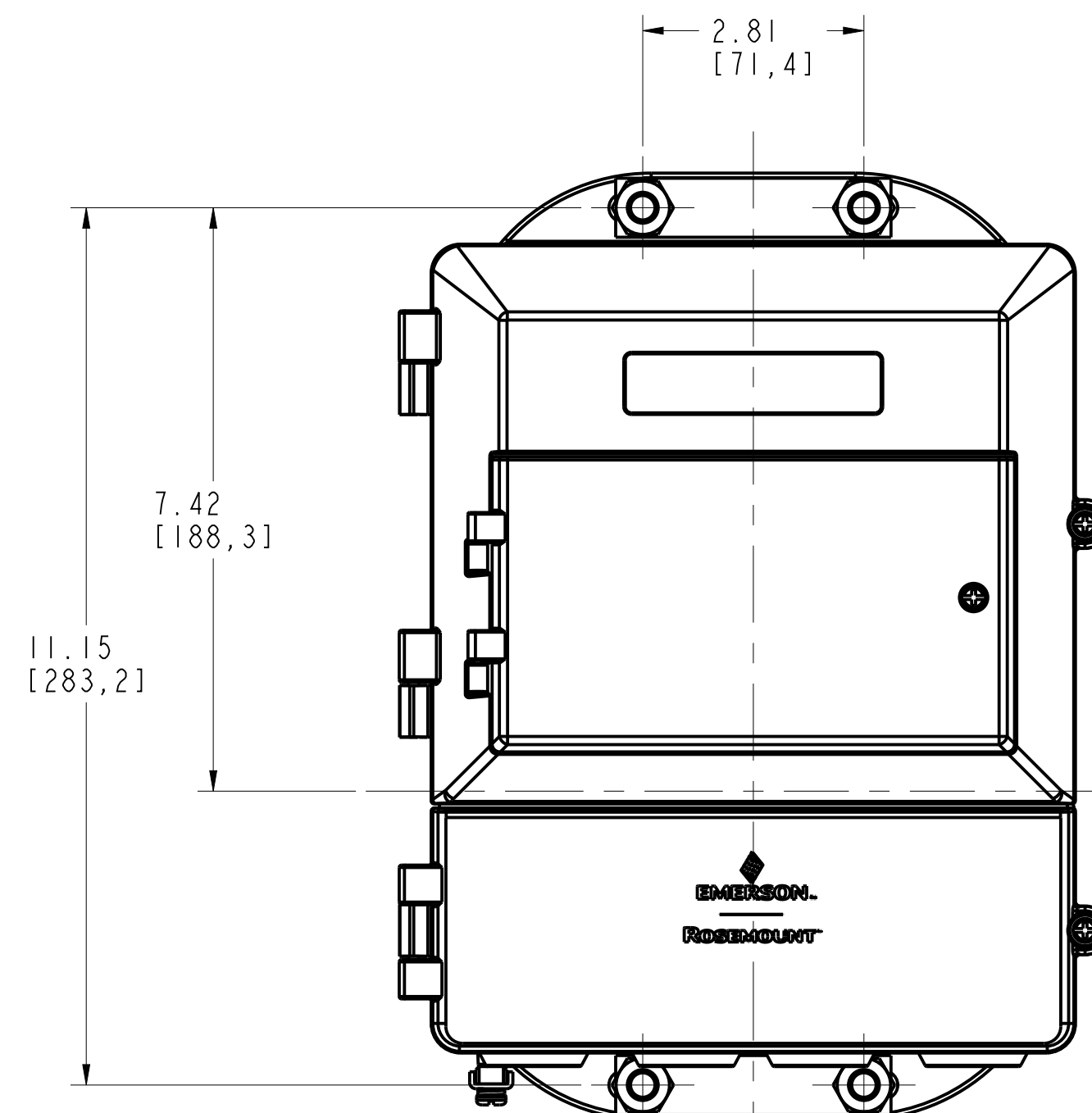
3. UPPER DIMENSIONS ARE IN INCHES. DIMENSIONS SHOWN IN BRACKETS ARE IN MILLIMETERS.

2. PLUG UNUSED CONDUIT HOLES.

1. ROSEMOUNT CERTIFIES THAT THIS DRAWING IS IN ACCORDANCE WITH ROSEMOUNT ENGINEERING SPECIFICATIONS AND ACCURATELY REPRESENTS THE EQUIPMENT FURNISHED.

| | | | | | |
|---|---|----------------|----------|--------------|--------|
| CONFIDENTIAL AND PROPRIETARY INFORMATION IS CONTAINED HEREIN AND MUST BE HANDLED ACCORDINGLY. | SURFACE FINISH UNLESS OTHERWISE SPECIFIED | 125° 3RD ANGLE | SIZE D | SCALE 1:2 | REV AA |
| UNLESS OTHERWISE SPECIFIED DIMENSIONS IN INCHES (mm). REMOVE ALL BURRS AND SHARP EDGES. | ROSEMOUNT | | | | |
| -DEC TOLERANCES- | TITLE DIMENSIONAL DRAWING. | | | | |
| .X ± .1 [2.5] | 08712 TRANSMITTER | | | | |
| .XX ± .02 [0.5] | DR. DANDA,CAO 5/24/23 DRAWING NO. | | | | |
| .XXX ± .005 [0.25] | 08712-1124 | | | | |
| FRACTIONS ± 1/32 | ANGLES ± 2° | APP'D A.L | 5/24/23 | | |
| DO NOT SCALE PRINT | CAD MAINTAINED, (PRO/E) | PRODUCT CODE | DOC TYPE | SHEET 1 OF 2 | |

DRAWING NO. 08712-1124



- A. U-bolt
- B. Saddle clamp
- C. Fasteners

2. For installation, U-bolt (A), Saddle clip (B) backrest, Fastener C and 8712EM are assembled together.
 1. Wall-mounted transmitters come with mounting hardware for 2 inch (50 mm) pipes or flat surfaces.

NOTES:

| | | | | | | |
|---|---|--------------|-----------------------------|------------------------|-----------|--------|
| CONFIDENTIAL AND PROPRIETARY INFORMATION IS CONTAINED HEREIN AND MUST BE HANDLED ACCORDINGLY. | SURFACE FINISH UNLESS OTHERWISE SPECIFIED | 125° | 3RD ANGLE | SIZE D | SCALE 1:2 | REV AA |
| UNLESS OTHERWISE SPECIFIED DIMENSIONS IN INCHES (mm). REMOVE ALL BURRS AND SHARP EDGES. | | | EMERSON ROSEMOUNT | | | |
| -DEC TOLERANCES- | | | TITLE | | | |
| .X ± .1 [2.5] | .XX ± .02 [0.5] | | | DIMENSIONAL DRAWING. | | |
| .XXX ± .005 [0.25] | ANGLES ± 2° | | | 8712 TRANSMITTER | | |
| FRACTIONS ± 1/32 | APP'D A.L. | | | DRAWING NO. 08712-1124 | | |
| DO NOT SCALE PRINT | CAD MAINTAINED, (PRO/E) | PRODUCT CODE | DOC TYPE | SHEET 2 OF 2 | | |

DRAWING NO. 08712-1124