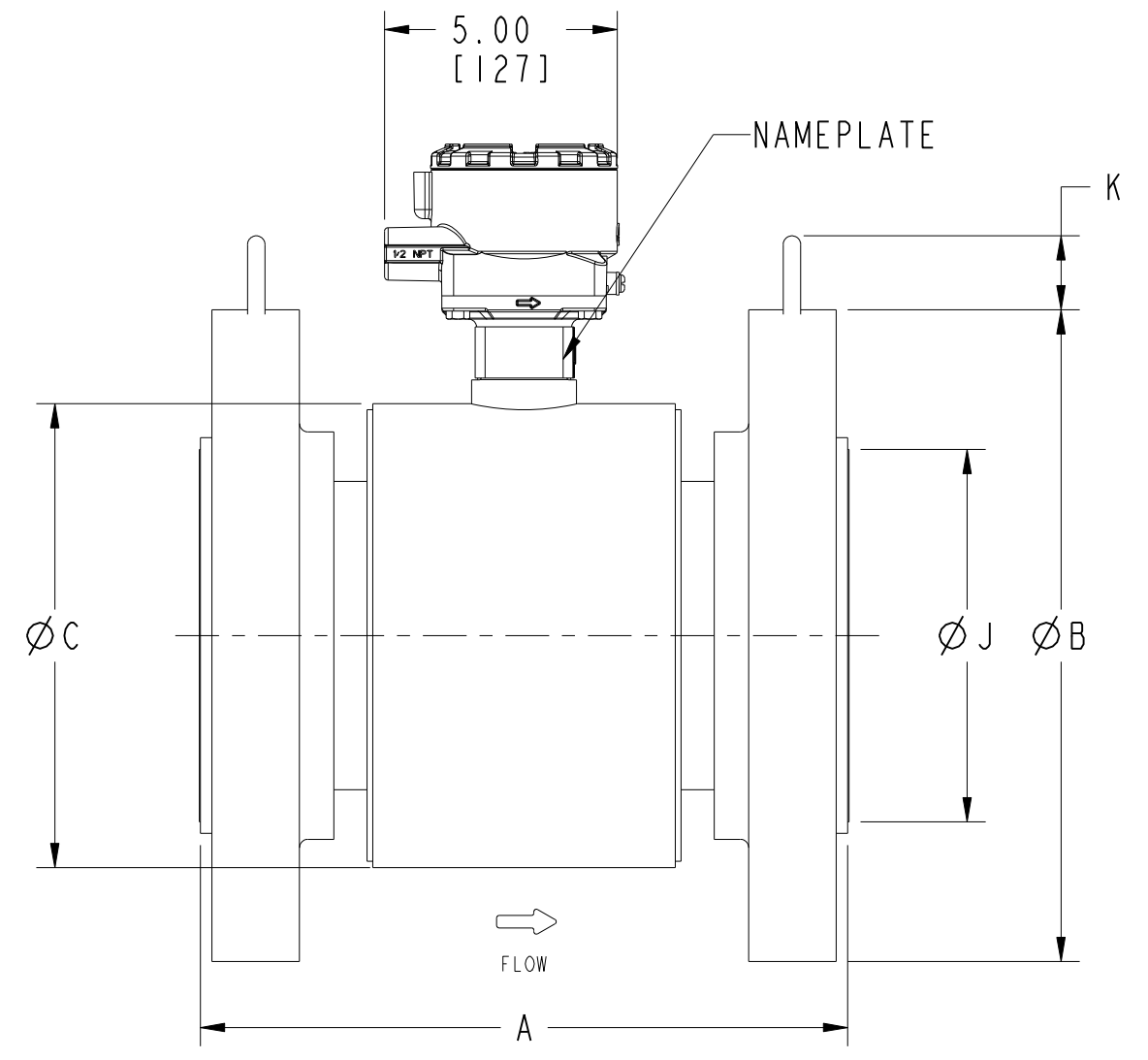
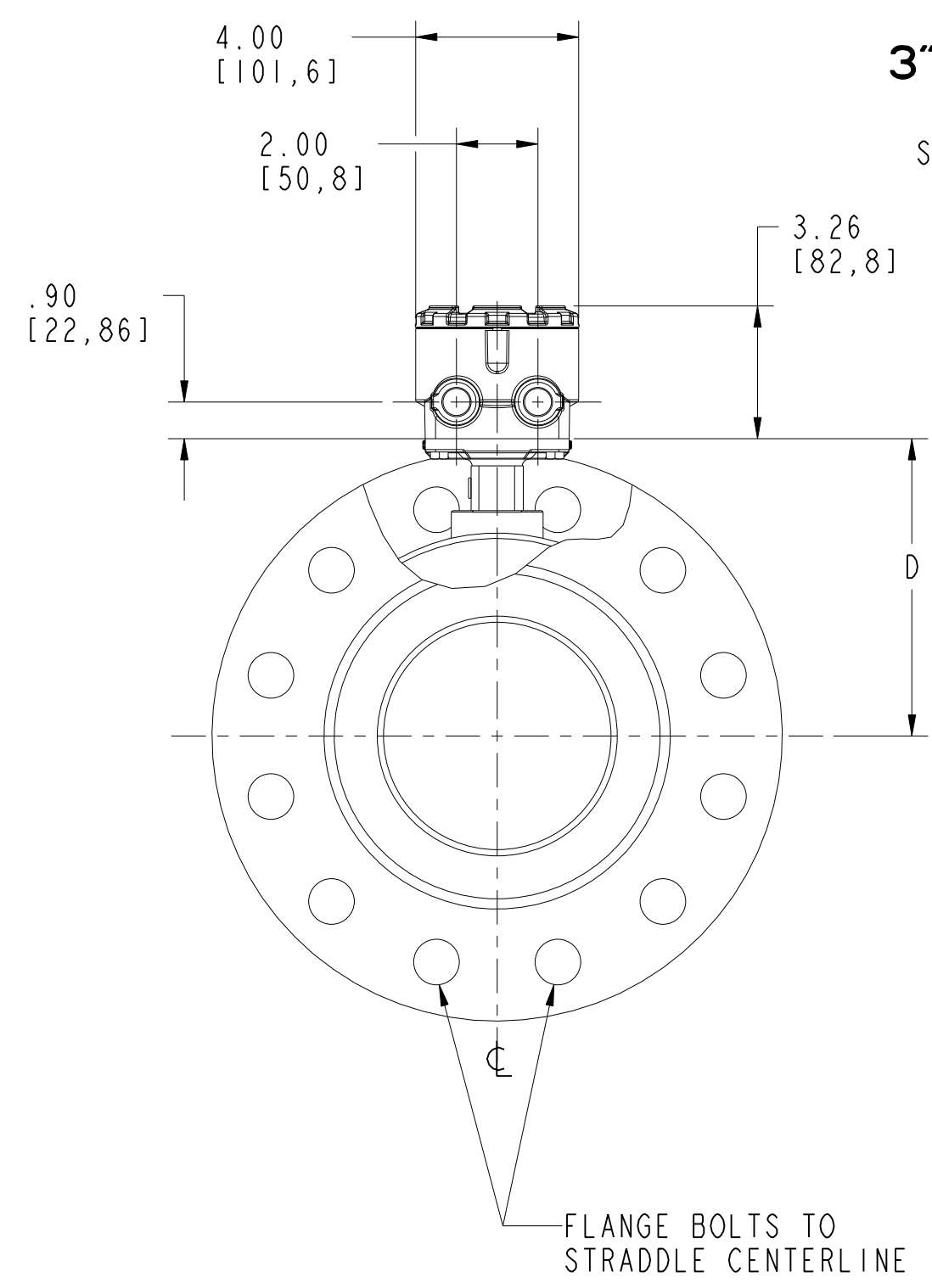


1 2 3 4 5 6 7 8 9 10 11 12

REVISION TABLE			
REVISION	ECO NO.	APP'D	DATE
AA	1127423	MJM	9-19-2019
DESCRIPTION			
INITIAL RELEASE			

**3" THRU 24"  
STYLE A  
SLIP-ON FLANGES**



3. STYLE 'A' REFERS TO ANY FLOWTUBE WITH 'NH' SAFETY APPROVALS AND COIL HOUSING CONFIGURATION 'M0'. STYLE 'B' REFERS TO ALL OTHER FLOWTUBES.
2. SEE DRAWING 000MS-0124 FOR STANDARD (LOWER) PRESSURE FLANGES.
1. ROSEMOUNT CERTIFIES THAT THIS DRAWING IS IN ACCORDANCE WITH ROSEMOUNT ENGINEERING SPECIFICATIONS AND ACCURATELY REPRESENTS THE EQUIPMENT FURNISHED.

DRAWING NO. 000MS-0125

CONFIDENTIAL AND PROPRIETARY INFORMATION IS CONTAINED HEREIN AND MUST BE HANDLED ACCORDINGLY.	SURFACE FINISH UNLESS OTHERWISE SPECIFIED	3RD ANGLE	SIZE C	SCALE -	REV AA
UNLESS OTHERWISE SPECIFIED DIMENSIONS IN INCHES (mm). REMOVE ALL BURRS AND SHARP EDGES.	<b>EMERSON</b>				
-DEC TOLERANCES-	<b>ROSEMOUNT</b>				
.X ± - [-]	TITLE DIMENSIONAL DRAWING				
.XX ± - [-]	MODEL MS MAGNETIC FLOW TUBE - HIGH PRESSURE				
.XXX ± - [-]	DR. N. BOND	9/17/19	DRAWING NO. 000MS-0125		
FRACTIONS ± -	APP'D M. MAYER	9/19/19			
ANGLES ± -	DO NOT SCALE PRINT		CAD MAINTAINED. (PRO/E)	PRODUCT CODE	SHEET 1 OF 8

1 2 3 4 5 6 7 8 9 10 11 12

A

B

C

D

E

F

G

H

A

B

C

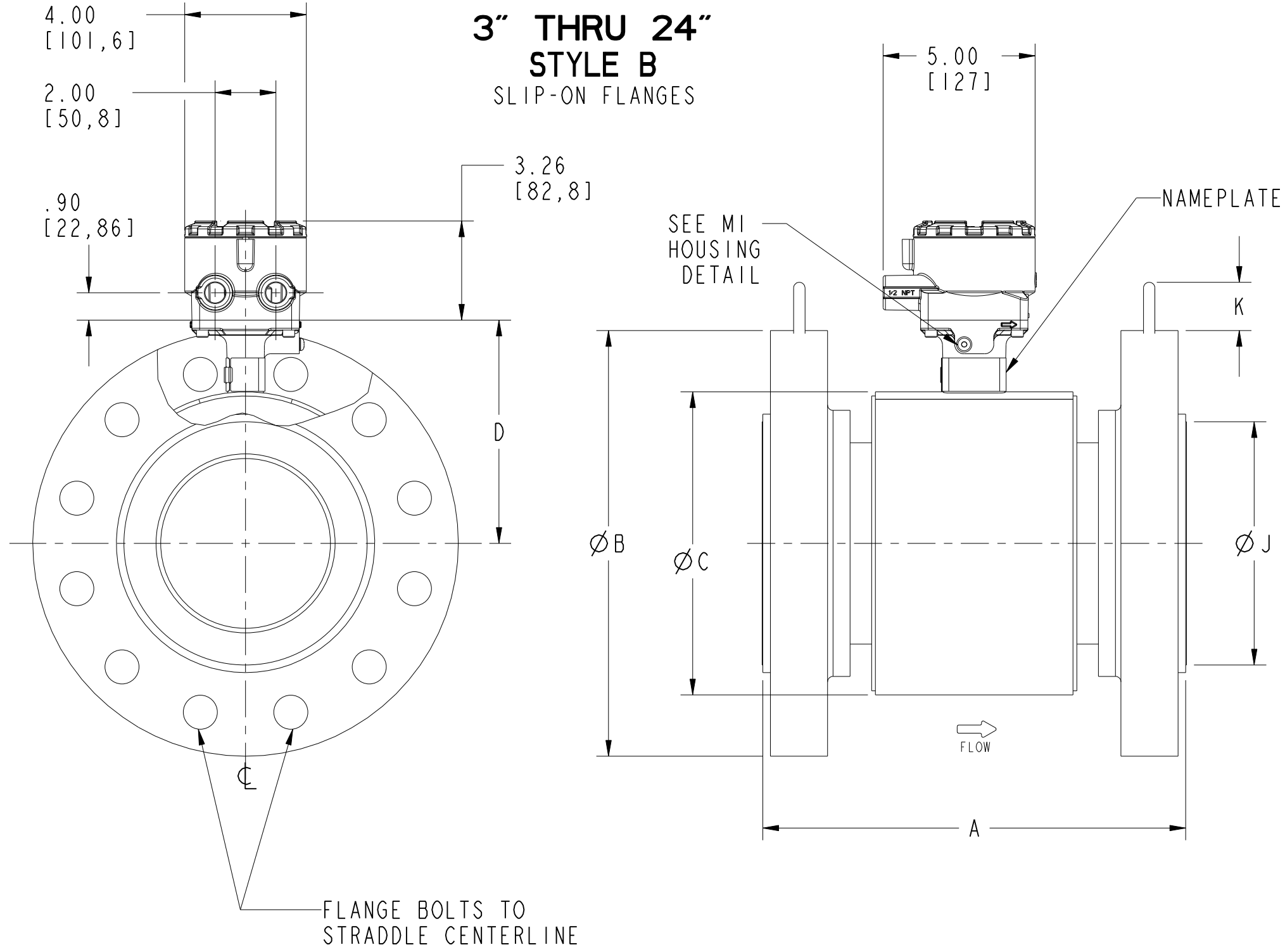
D

E

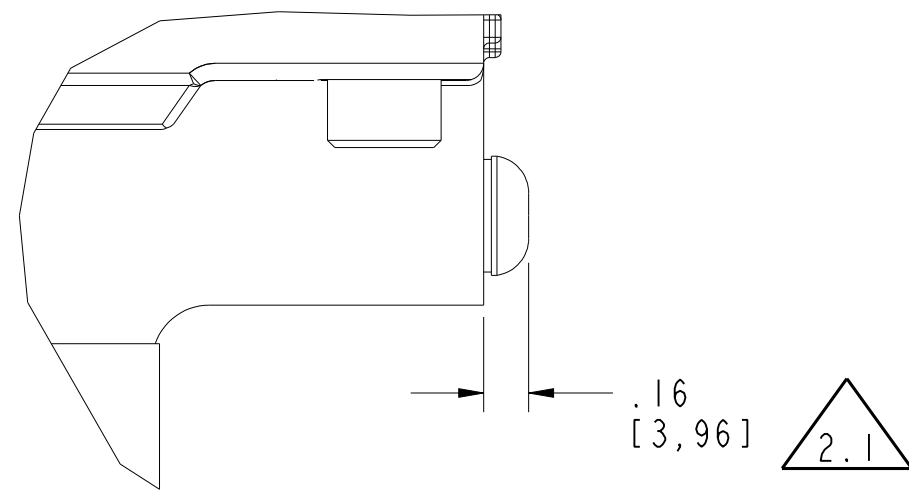
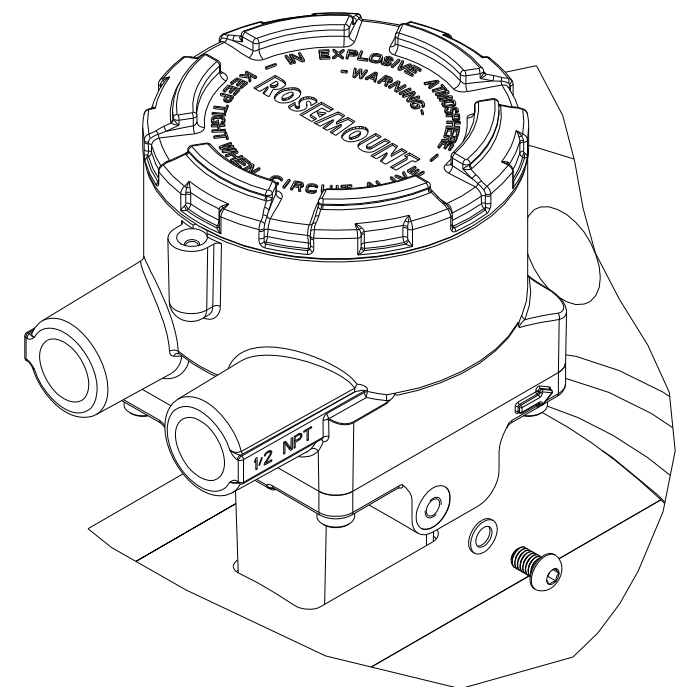
F

G

H



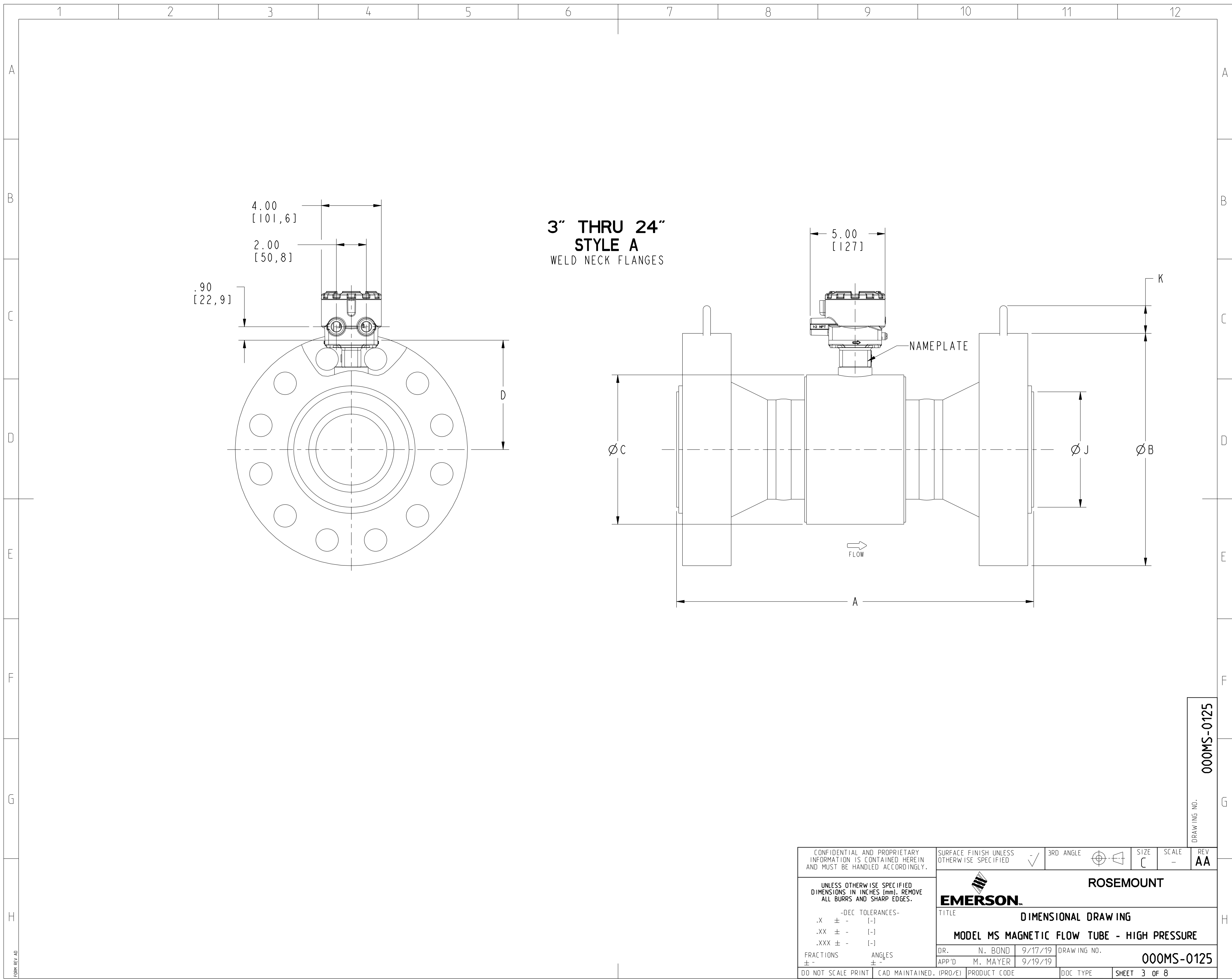
MI HOUSING OPTION DETAIL



$\triangle$  2.1 OPTIONAL RELIEF VALVE ASSEMBLY IS 1.75" [44,5].

CONFIDENTIAL AND PROPRIETARY INFORMATION IS CONTAINED HEREIN AND MUST BE HANDLED ACCORDINGLY.	SURFACE FINISH UNLESS OTHERWISE SPECIFIED	3RD ANGLE	SIZE C	SCALE -	REV AA
UNLESS OTHERWISE SPECIFIED DIMENSIONS IN INCHES (mm). REMOVE ALL BURRS AND SHARP EDGES.	<b>EMERSON</b> ROSEMOUNT				
-DEC TOLERANCES- .X ± - [-] .XX ± - [-] .XXX ± - [-]	TITLE <b>DIMENSIONAL DRAWING</b>				
FRACTIONS ± - ANGLES ± -	<b>MODEL MS MAGNETIC FLOW TUBE - HIGH PRESSURE</b>				
DO NOT SCALE PRINT	CAD MAINTAINED. (PRO/E)	PRODUCT CODE	DOC TYPE	SHEET 2 OF 8	DRAWING NO. 000MS-0125

DRAWING NO. 000MS-0125



**3" THRU 24"**  
**STYLE A**  
 WELD NECK FLANGES

CONFIDENTIAL AND PROPRIETARY INFORMATION IS CONTAINED HEREIN AND MUST BE HANDLED ACCORDINGLY.		SURFACE FINISH UNLESS OTHERWISE SPECIFIED		✓	3RD ANGLE		SIZE	SCALE	REV
UNLESS OTHERWISE SPECIFIED DIMENSIONS IN INCHES (mm). REMOVE ALL BURRS AND SHARP EDGES.		ROSEMOUNT							
-DEC TOLERANCES-		EMERSON.							
.X ± - [-]		TITLE							
.XX ± - [-]		DIMENSIONAL DRAWING							
.XXX ± - [-]		MODEL MS MAGNETIC FLOW TUBE - HIGH PRESSURE							
FRACTIONS	ANGLES	DR.	N. BOND	9/17/19	DRAWING NO.		000MS-0125		
± -	± -	APP'D	M. MAYER	9/19/19					
DO NOT SCALE PRINT	CAD MAINTAINED. (PRO/E)	PRODUCT CODE	DOC TYPE	SHEET 3 OF 8					

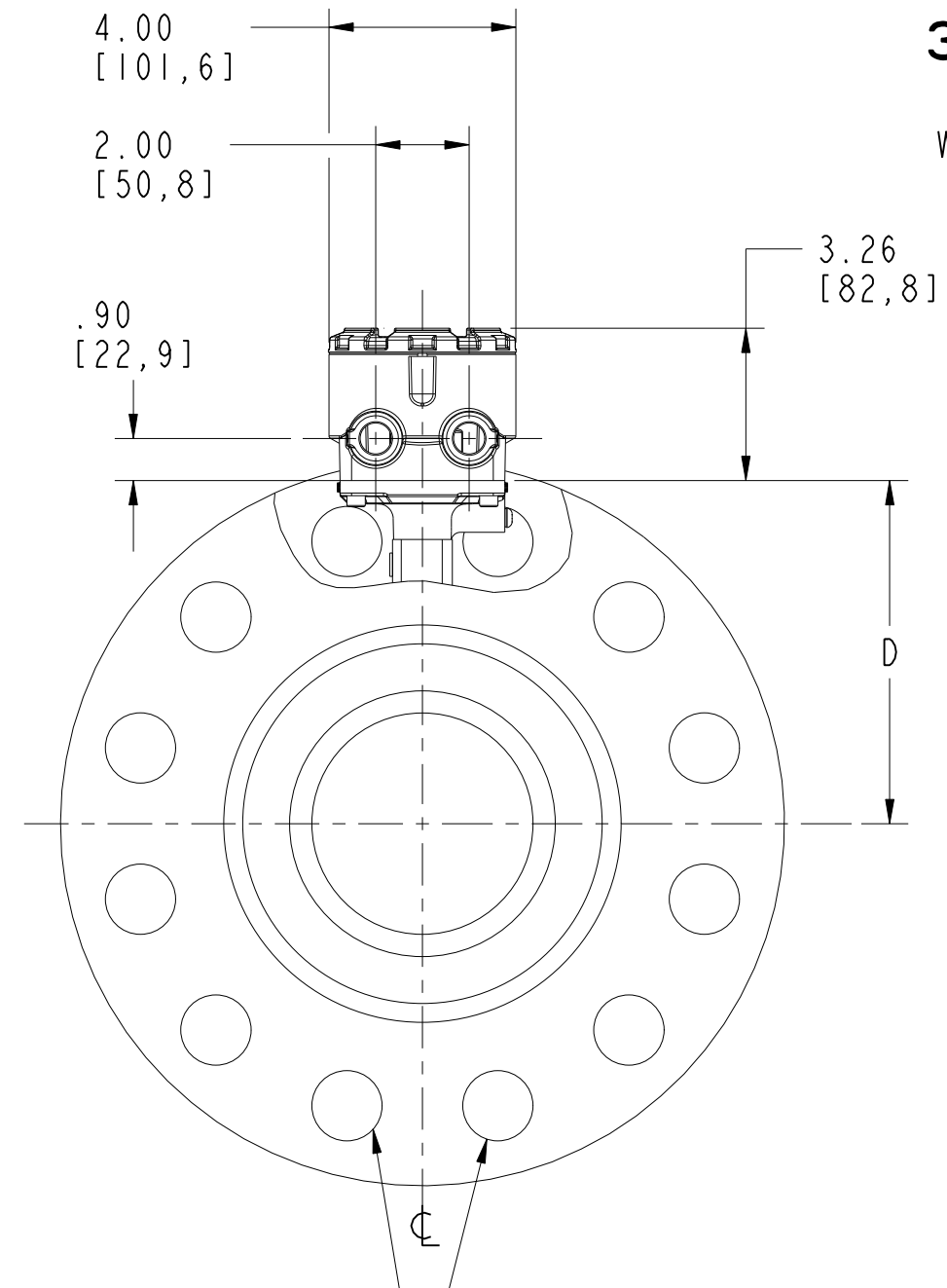
DRAWING NO. 000MS-0125

1 2 3 4 5 6 7 8 9 10 11 12

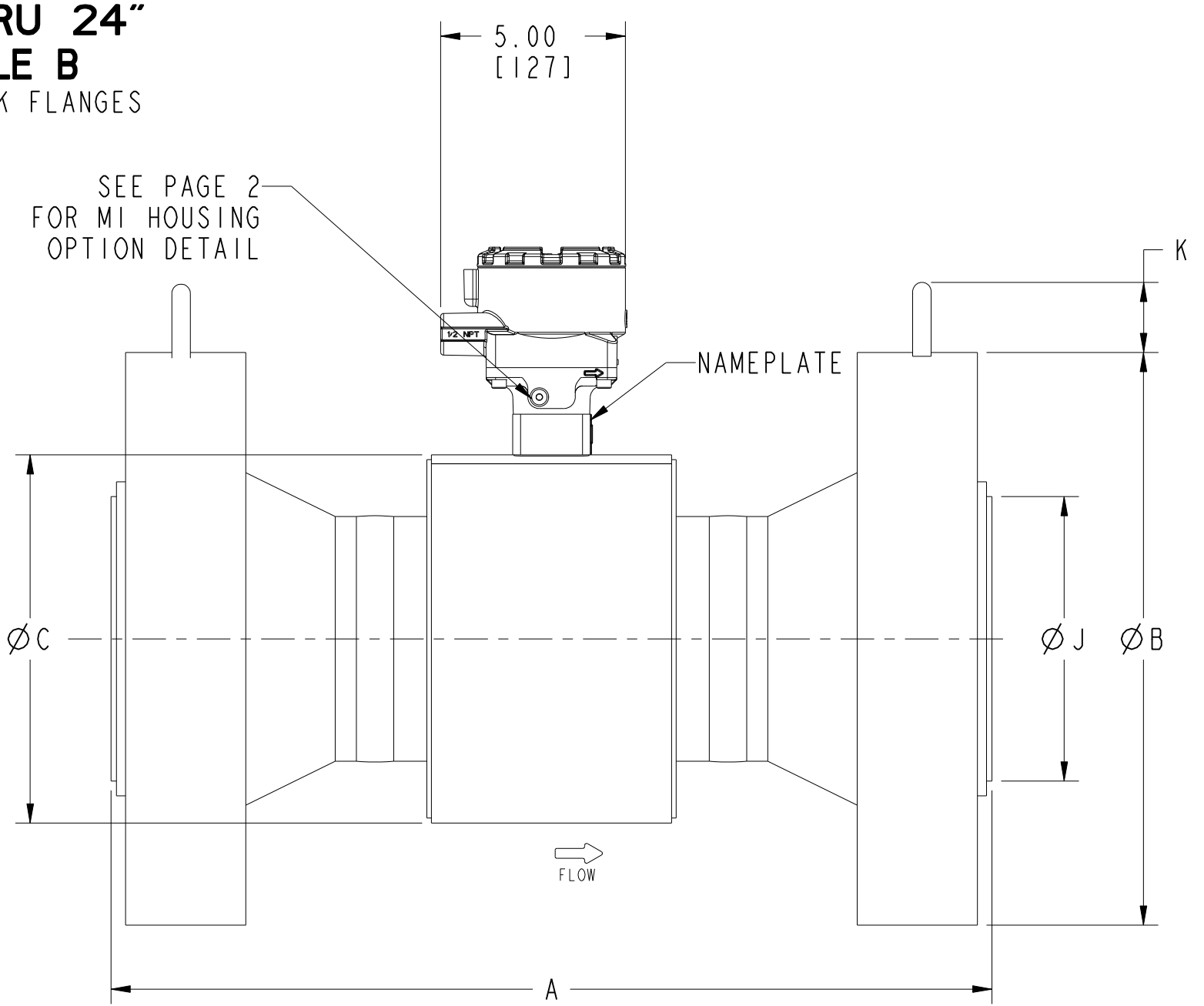
A  
B  
C  
D  
E  
F  
G  
H

A  
B  
C  
D  
E  
F  
G  
H

**3" THRU 24"  
STYLE B  
WELD NECK FLANGES**

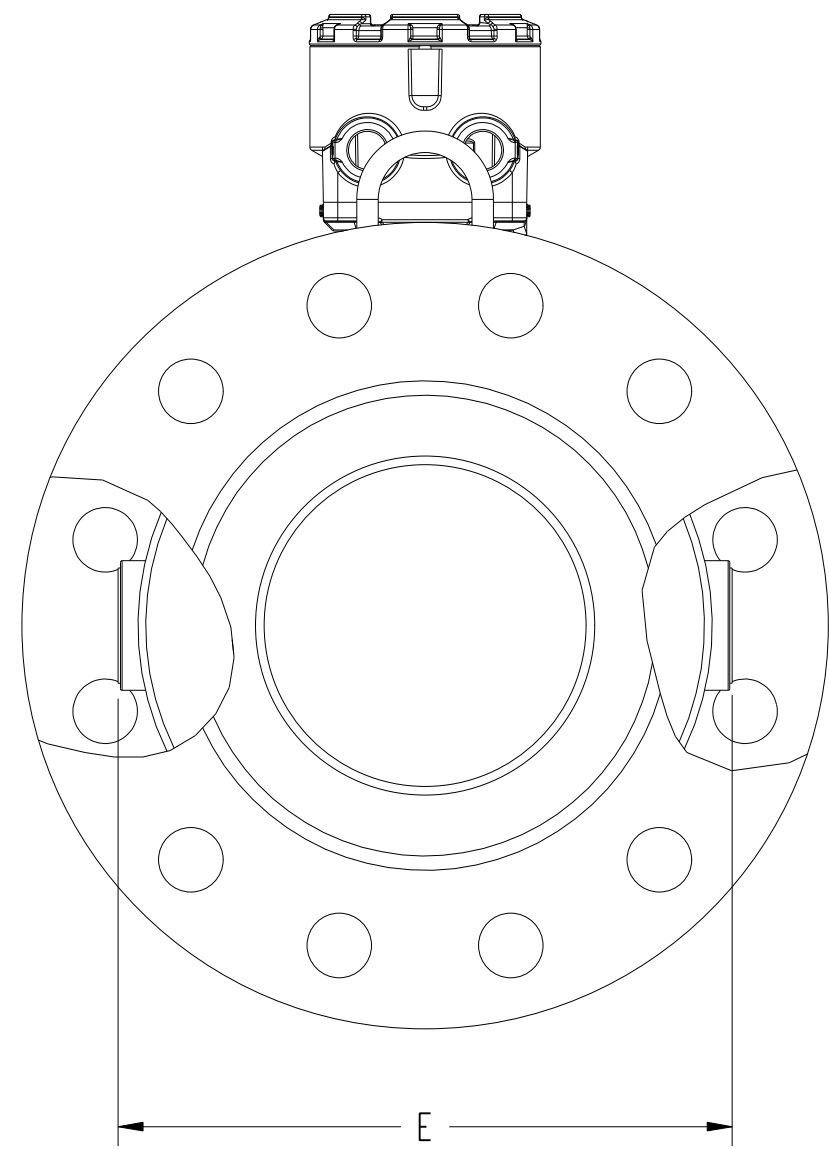


FLANGE BOLTS TO  
STRADDLE CENTERLINE

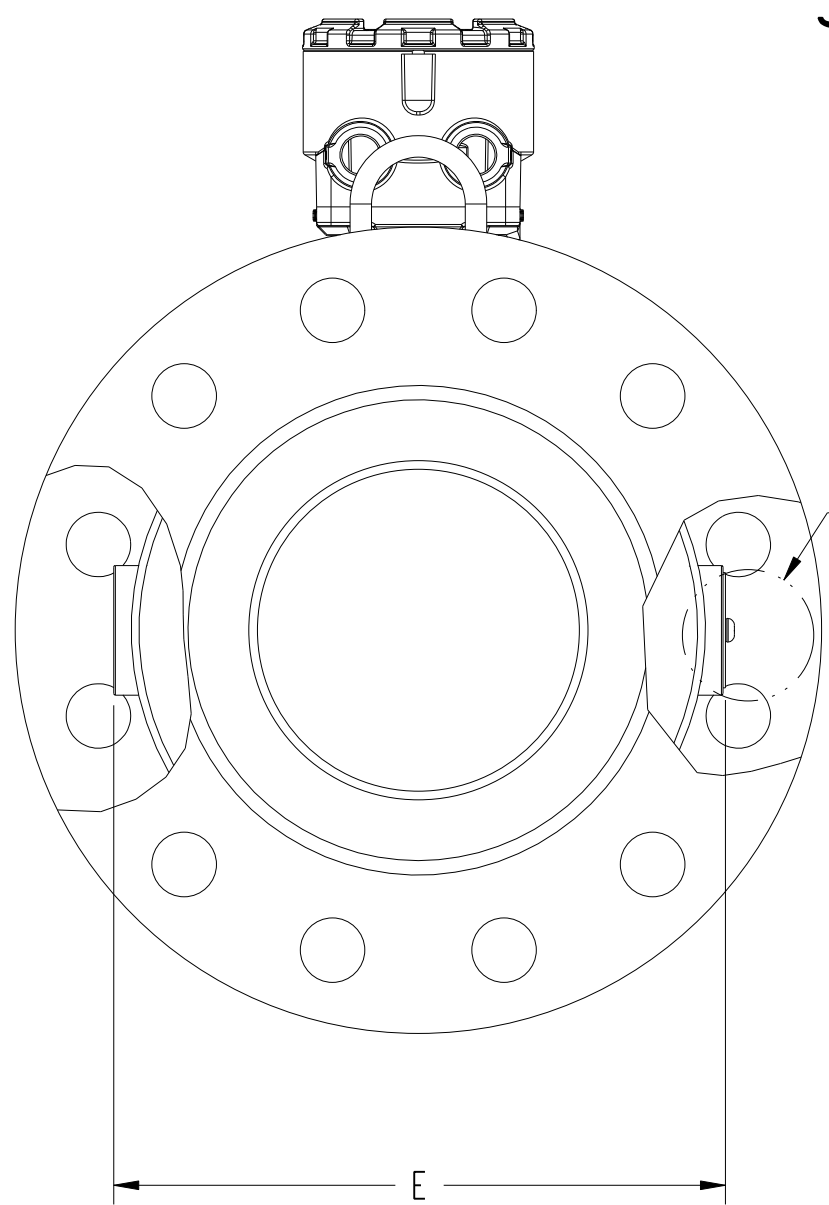
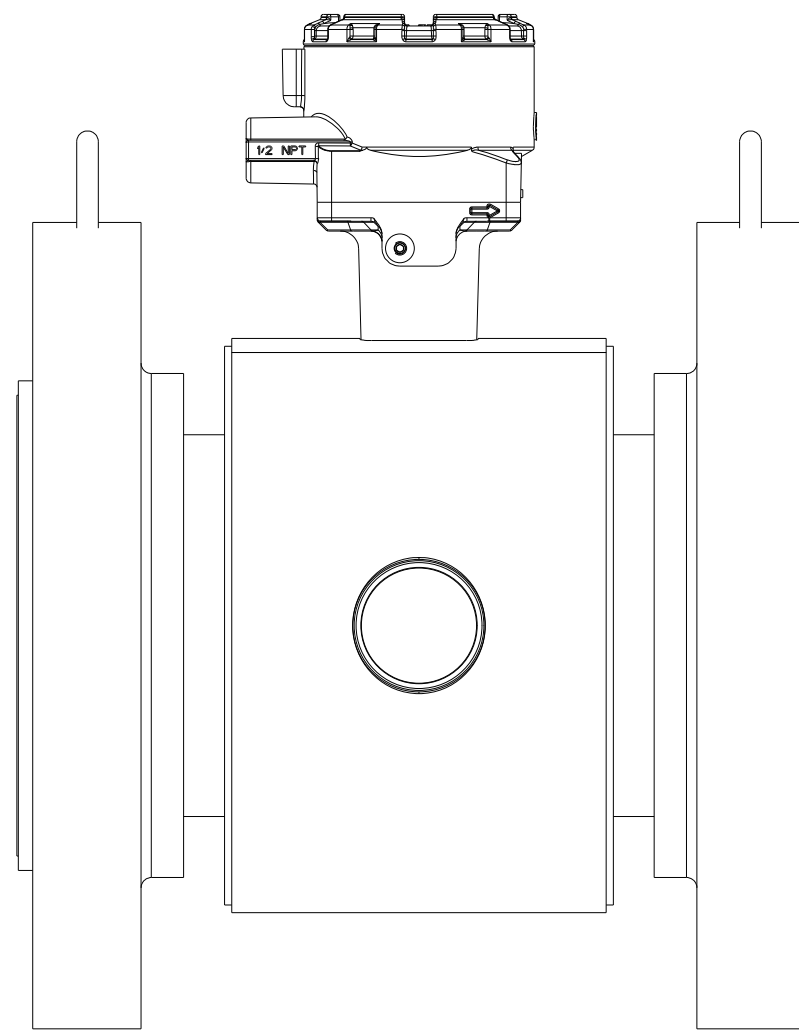


CONFIDENTIAL AND PROPRIETARY INFORMATION IS CONTAINED HEREIN AND MUST BE HANDLED ACCORDINGLY.		SURFACE FINISH UNLESS OTHERWISE SPECIFIED	✓	3RD ANGLE		SIZE	SCALE	REV
UNLESS OTHERWISE SPECIFIED DIMENSIONS IN INCHES (mm). REMOVE ALL BURRS AND SHARP EDGES.		ROSEMOUNT						
-DEC TOLERANCES-		EMERSON.						
.X ± -	[-]	TITLE						
.XX ± -	[-]	DIMENSIONAL DRAWING						
.XXX ± -	[-]	MODEL MS MAGNETIC FLOW TUBE - HIGH PRESSURE						
FRACTIONS	ANGLES	DR.	N. BOND	9/17/19	DRAWING NO.	000MS-0125		
± -	± -	APP'D	M. MAYER	9/19/19				
DO NOT SCALE PRINT	CAD MAINTAINED. (PRO/E)	PRODUCT CODE	DOC TYPE	SHEET 4 OF 8				

DRAWING NO. 000MS-0125



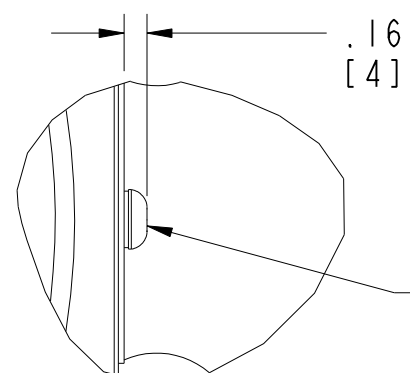
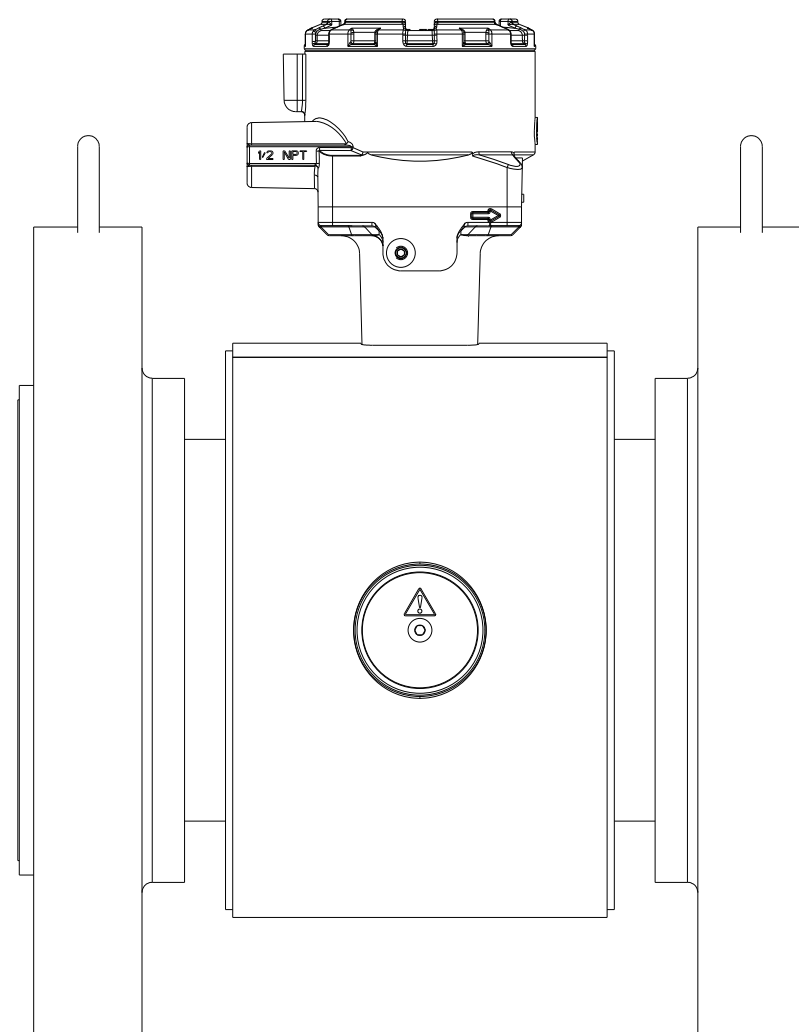
**3" THRU 24"  
STYLE B  
WITH M2 OPTION**



**3" THRU 24"  
STYLE B  
WITH M4 OPTION**

5.2

SEE DETAIL A



DETAIL A  
2X  
M4 OPTION ONLY

**TABLE 5 - BODY WIDTH WITH ELECTRODE ACCESS (M2)**

SIZE - IN (mm) ALL FLANGES	BODY WIDTH W/ M2 DIM "E" (INCH) <span style="border: 1px solid black; padding: 2px;">5.1</span>	BODY WIDTH W/ M2 DIM "E" (mm) <span style="border: 1px solid black; padding: 2px;">5.1</span>
4 (100)	8.65	220
5 (125)	9.71	247
6 (150)	10.62	270
8 (200)	12.62	321
10 (250)	15.53	394
12 (300)	17.53	445
14 (350)	20.68	525
16 (400)	22.68	576
18 (450)	24.68	627
20 (500)	26.68	678
24 (600)	30.68	779

5.2 WHEN VENTING THE ELECTRODE COMPARTMENT, THE VENT AND RECOVERY PIPING DIAMETER MUST NOT BE SMALLER THAN THE M6 COVER THREADING TO AVOID BUILDING PRESSURE INSIDE THE ELECTRODE COMPARTMENT.

5.1 WHEN M4 OPTION IS SELECTED ADD .320 (8mm) TO M2 DIM "E" (BODY WIDTH DIMENSION)

DRAWING NO. 000MS-0125

CONFIDENTIAL AND PROPRIETARY INFORMATION IS CONTAINED HEREIN AND MUST BE HANDLED ACCORDINGLY.		SURFACE FINISH UNLESS OTHERWISE SPECIFIED	3RD ANGLE	SIZE C	SCALE -	REV AA
UNLESS OTHERWISE SPECIFIED DIMENSIONS IN INCHES (mm). REMOVE ALL BURRS AND SHARP EDGES.		<b>EMERSON</b>				
-DEC TOLERANCES-		<b>ROSEMOUNT</b>				
.X ± - [-]		TITLE <b>DIMENSIONAL DRAWING</b>				
.XX ± - [-]		<b>MODEL MS MAGNETIC FLOW TUBE - HIGH PRESSURE</b>				
.XXX ± - [-]		DR. N. BOND	9/17/19	DRAWING NO. 000MS-0125		
FRACTIONS ± -		APP'D M. MAYER	9/19/19			
ANGLES ± -		DO NOT SCALE PRINT CAD MAINTAINED. (PRO/E) PRODUCT CODE		DOC TYPE	SHEET 5 OF 8	

1 2 3 4 5 6 7 8 9 10 11 12

A

A

B

B

C

C

D

D

E

E

F

F

G

G

H

H

TABLE 1: 3" - 24" WITH SLIP-ON FLANGES -- INCH

SIZE, DESCRIPTION	MODEL NUMBER	DIM "A" LINATEX	DIM "A" POLY	DIM "A" NEOPRENE	FLANGE Ø DIM "B"	BODY Ø DIM "C"	DIM "D" CL TO TA		LINER Ø ON FACE DIM "J"	LIFT RING HEIGHT DIM "K"	FLOW TUBE WEIGHT (lbs.)
							STYLE A	STYLE B			
3 (80) ASME - 600 FULL, SO / RF	MS030.....A7	12.16	12.16	12.16	8.25	7.21	5.82	5.97	4.63	1.70	51
3 (80) ASME - 900 , SO / RF	MS030.....A9	12.79	12.79	12.79	9.50	7.21	5.82	5.97	4.63	1.70	72
4 (100) ASME - 600 FULL, SO / RF	MS040.....A7	12.56	12.56	12.56	10.75	7.91	6.17	6.32	5.81	1.70	90
4 (100) ASME - 900 , SO / RF	MS040.....A9	13.86	13.86	13.86	11.50	7.91	6.17	6.32	5.81	2.00	120
6 (150) ASME - 600 FULL, SO / RF	MS060.....A7	13.92	13.92	13.92	14.00	9.98	7.30	7.35	8.00	1.70	184
6 (150) ASME - 900 , SO / RF	MS060.....A9	17.55	17.55	17.55	15.00	9.98	7.30	7.35	8.00	2.00	249
8 (200) ASME - 600 FULL, SO / RF	MS080.....A7	16.44	16.44	16.44	16.50	11.92	8.27	8.32	10.00	1.70	285
8 (200) ASME - 900 , SO / RF	MS080.....A9	20.58	20.58	20.58	18.50	11.92	8.27	8.32	10.00	3.13	437
10 (250) ASME - 600 FULL, SO / RF	MS100.....A7	19.05	19.05	19.05	20.00	14.64	9.69	9.68	12.00	2.00	467
10 (250) ASME - 900 , SO / RF	MS100.....A9	21.54	21.54	21.54	21.50	14.64	9.69	9.68	12.00	3.13	641
12 (300) ASME - 600 FULL, SO / RF	MS120.....A7	21.75	21.75	21.75	22.00	16.80	10.77	10.76	14.00	2.00	607
12 (300) ASME - 900 , SO / RF	MS120.....A9	25.15	25.15	25.15	24.00	16.80	10.77	10.76	14.00	3.13	893
14 (350) ASME - 600 FULL, SO / RF	MS140.....A7	25.41	25.41	25.41	23.75	18.92	11.83	11.82	15.25	2.00	756
14 (350) ASME - 900 , SO / RF	MS140.....A9	33.89	33.85		25.25	18.92	11.83	11.82	15.13	2.00	1164
16 (400) ASME - 600 FULL, SO / RF	MS160.....A7	28.91	28.91	28.91	27.00	20.94	12.84	12.83	17.50	3.13	1080
16 (400) ASME - 900 , SO / RF	MS160.....A9	36.89	36.85		27.75	20.94	12.84	12.83	17.38	3.13	1436
18 (450) ASME - 600 FULL, SO / RF	MS180.....A7	32.39	32.39	32.39	29.25	23.46	14.10	14.09	20.00	3.13	1378
18 (450) ASME - 900 , SO / RF	MS180.....A9	38.89	38.85		31.00	23.46	14.10	14.09	19.88	3.13	1877
20 (500) ASME - 600 FULL, SO / RF	MS200.....A7	36.52	36.52	36.52	32.00	25.48	15.11	15.10	22.00	3.13	1790
20 (500) ASME - 900 , SO / RF	MS200.....A9	41.89	41.85		33.75	25.48	15.11	15.10	21.88	3.13	2286
24 (600) ASME - 600 FULL, SO / RF	MS240.....A7	41.02	41.02	41.02	37.00	30.03	17.39	17.38	26.00	3.13	2648

TABLE 1: 3" - 24" WITH SLIP-ON FLANGES - MILLIMETER

SIZE, DESCRIPTION	MODEL NUMBER	DIM "A" LINATEX	DIM "A" POLY	DIM "A" NEOPRENE	FLANGE Ø DIM "B"	BODY Ø DIM "C"	DIM "D" CL TO TA		LINER Ø ON FACE DIM "J"	LIFT RING HEIGHT DIM "K"	FLOW TUBE WEIGHT (Kgs.)
							STYLE A	STYLE B			
3 (80) ASME - 600 FULL, SO / RF	MS030.....A7	309	309	309	210	183	148	152	118	43	23
3 (80) ASME - 900 , SO / RF	MS030.....A9	325	325	325	241	183	148	152	118	43	33
4 (100) ASME - 600 FULL, SO / RF	MS040.....A7	319	319	319	273	201	157	160	148	43	41
4 (100) ASME - 900 , SO / RF	MS040.....A9	352	352	352	292	201	157	160	148	51	54
6 (150) ASME - 600 FULL, SO / RF	MS060.....A7	353	353	353	356	253	185	187	203	43	84
6 (150) ASME - 900 , SO / RF	MS060.....A9	446	446	446	381	253	185	187	203	51	113
8 (200) ASME - 600 FULL, SO / RF	MS080.....A7	417	417	417	419	303	210	211	254	43	129
8 (200) ASME - 900 , SO / RF	MS080.....A9	523	523	523	470	303	210	211	254	80	198
10 (250) ASME - 600 FULL, SO / RF	MS100.....A7	484	484	484	508	372	246	246	305	51	212
10 (250) ASME - 900 , SO / RF	MS100.....A9	547	547	547	546	372	246	246	305	80	291
12 (300) ASME - 600 FULL, SO / RF	MS120.....A7	552	552	552	559	427	274	273	356	51	275
12 (300) ASME - 900 , SO / RF	MS120.....A9	639	639	639	610	427	274	273	356	80	405
14 (350) ASME - 600 FULL, SO / RF	MS140.....A7	645	645	645	603	481	300	300	387	51	343
14 (350) ASME - 900 , SO / RF	MS140.....A9	861	860		641	481	300	300	384	51	528
16 (400) ASME - 600 FULL, SO / RF	MS160.....A7	734	734	734	686	532	326	326	445	80	490
16 (400) ASME - 900 , SO / RF	MS160.....A9	937	936		705	532	326	326	441	80	651
18 (450) ASME - 600 FULL, SO / RF	MS180.....A7	823	823	823	743	596	358	358	508	80	625
18 (450) ASME - 900 , SO / RF	MS180.....A9	988	987		787	596	358	358	505	80	852
20 (500) ASME - 600 FULL, SO / RF	MS200.....A7	928	928	928	813	647	384	384	559	80	812
20 (500) ASME - 900 , SO / RF	MS200.....A9	1064	1063		857	647	384	384	556	80	1037
24 (600) ASME - 600 FULL, SO / RF	MS240.....A7	1042	1042	1042	940	763	442	441	660	80	1201

DRAWING NO. 000MS-0125

CONFIDENTIAL AND PROPRIETARY INFORMATION IS CONTAINED HEREIN AND MUST BE HANDLED ACCORDINGLY.  UNLESS OTHERWISE SPECIFIED DIMENSIONS IN INCHES (mm). REMOVE ALL BURRS AND SHARP EDGES.  -DEC TOLERANCES- .X ± - [-] .XX ± - [-] .XXX ± - [-]  FRACTIONS ± - ANGLES ± -  DO NOT SCALE PRINT CAD MAINTAINED. (PRO/E) PRODUCT CODE	SURFACE FINISH UNLESS OTHERWISE SPECIFIED <input checked="" type="checkbox"/> 3RD ANGLE	SIZE C SCALE - REV AA
	ROSEMOUNT 	
TITLE DIMENSIONAL DRAWING MODEL MS MAGNETIC FLOW TUBE - HIGH PRESSURE		
DR. N. BOND 9/17/19 APP'D M. MAYER 9/19/19	DRAWING NO. 000MS-0125	
DO NOT SCALE PRINT CAD MAINTAINED. (PRO/E) PRODUCT CODE	DOC TYPE	SHEET 6 OF 8

1	2	3	4	5	6	7	8	9	10	11	12	
A												A
B												B
C												C
D												D
E												E
F												F
G												G
H												H

TABLE 2: 3" - 8" WELD NECK FLANGES - INCH

SIZE, DESCRIPTION	MODEL NUMBER	DIM "A" LINATEX	DIM "A" POLY	DIM "A" NEOPRENE	FLANGE Ø DIM "B"	BODY Ø DIM "C"	DIM "D" CL TO TA		LINER Ø ON FACE DIM "J"	LIFT RING HEIGHT DIM "K"	FLOW TUBE WEIGHT (lbs.)
							STYLE A	STYLE B			
3 (80) ASME - 600 FULL, WN / RF	MS030.....C7	12.78	12.78	12.78	8.25	7.21	5.82	5.97	4.63	1.70	57
3 (80) ASME - 900, WN / RF	MS030.....C9	14.38	14.38	14.38	9.50	7.21	5.82	5.97	4.63	1.70	83
3 (80) ASME -1500, WN / RF	MS030.....CM	16.27	16.27	16.27	10.50	7.21	5.82	5.97	4.33	1.70	123
3 (80) ASME -2500, WN / RF	MS030.....CN	20.42	20.42	20.42	12.00	7.21	5.82	5.97	4.15	1.70	209
3 (80) ASME - 600 FULL, WN / RTJ	MS030.....E7	12.94	12.94	12.94	8.25	7.21	5.82	5.97	4.00	1.70	59
3 (80) ASME - 900, WN / RTJ	MS030.....E9	14.54	14.54	14.54	9.50	7.21	5.82	5.97	3.94	1.70	85
3 (80) ASME -1500, WN / RTJ	MS030.....EM	16.42	16.42	16.42	10.50	7.21	5.82	5.97	3.97	1.70	126
3 (80) ASME -2500, WN / RTJ	MS030.....EN	20.70	20.70	20.70	12.00	7.21	5.82	5.97	3.41	1.70	213
4 (100) ASME - 600 FULL, WN / RF	MS040.....C7	15.57	15.57	15.57	10.75	7.91	6.17	6.32	5.81	1.70	106
4 (100) ASME - 900, WN / RF	MS040.....C9	16.81	16.81	16.81	11.50	7.91	6.17	6.32	5.81	2.00	137
4 (100) ASME -1500, WN / RF	MS040.....CM	18.18	18.18	18.18	12.25	7.91	6.17	6.32	5.71	2.00	185
4 (100) ASME -2500, WN / RF	MS040.....CN	23.71	23.71	23.71	14.00	7.91	6.17	6.32	5.54	2.00	328
4 (100) ASME - 600 FULL, WN / RTJ	MS040.....E7	15.73	15.73	15.73	10.75	7.91	6.17	6.32	4.94	1.70	107
4 (100) ASME - 900, WN / RTJ	MS040.....E9	16.97	16.97	16.97	11.50	7.91	6.17	6.32	4.94	2.00	140
4 (100) ASME -1500, WN / RTJ	MS040.....EM	18.33	18.33	18.33	12.25	7.91	6.17	6.32	5.54	2.00	188
4 (100) ASME -2500, WN / RTJ	MS040.....EN	24.12	24.12	24.12	14.00	7.91	6.17	6.32	4.38	2.00	336
6 (150) ASME - 600 FULL, WN / RF	MS060.....C7	18.73	18.73	18.73	14.00	9.98	7.30	7.35	8.00	1.70	225
6 (150) ASME - 900, WN / RF	MS060.....C9	20.58	20.58	20.58	15.00	9.98	7.30	7.35	8.00	2.00	291
6 (150) ASME -1500, WN / RF	MS060.....CM	23.84	23.84	23.84	15.50	9.98	7.30	7.35	7.70	2.00	423
6 (150) ASME -2500, WN / RF	MS060.....CN	31.79	31.79	31.79	19.00	9.98	7.30	7.35	7.30	2.00	842
6 (150) ASME - 600 FULL, WN / RTJ	MS060.....E7	18.89	18.89	18.89	14.00	9.98	7.30	7.35	7.12	1.70	229
6 (150) ASME - 900, WN / RTJ	MS060.....E9	20.74	20.74	20.74	15.00	9.98	7.30	7.35	7.12	2.00	295
6 (150) ASME -1500, WN / RTJ	MS060.....EM	24.12	24.12	24.12	15.50	9.98	7.30	7.35	6.73	2.00	430
6 (150) ASME -2500, WN / RTJ	MS060.....EN	32.32	32.32	32.32	19.00	9.98	7.30	7.35	6.66	2.00	859
8 (200) ASME - 600 FULL, WN / RF	MS080.....C7	21.59	21.59	21.59	16.50	11.92	8.27	8.32	10.00	1.70	348
8 (200) ASME - 900, WN / RF	MS080.....C9	24.09	24.09	24.09	18.50	11.92	8.27	8.32	10.00	3.13	514
8 (200) ASME -1500, WN / RF	MS080.....CM	28.70	28.70	28.70	19.00	11.92	8.27	8.32	9.76	3.13	747
8 (200) ASME -2500, WN / RF	MS080.....CN	36.88	36.88	36.88	21.75	11.92	8.27	8.32	9.20	3.13	1344
8 (200) ASME - 600 FULL, WN / RTJ	MS080.....E7	21.75	21.75	21.75	16.50	11.92	8.27	8.32	9.37	1.70	353
8 (200) ASME - 900, WN / RTJ	MS080.....E9	24.25	24.25	24.25	18.50	11.92	8.27	8.32	9.13	3.13	520
8 (200) ASME -1500, WN / RTJ	MS080.....EM	29.11	29.11	29.11	19.00	11.92	8.27	8.32	8.66	3.13	761
8 (200) ASME -2500, WN / RTJ	MS080.....EN	37.53	37.53	37.53	21.75	11.92	8.27	8.32	8.28	3.13	1371

TABLE 2: 3" - 8" WITH WELD NECK FLANGES - MILLIMETER

SIZE, DESCRIPTION	MODEL NUMBER	DIM "A" LINATEX	DIM "A" POLY	DIM "A" NEOPRENE	FLANGE Ø DIM "B"	BODY Ø DIM "C"	DIM "D" CL TO TA		LINER Ø ON FACE DIM "J"	LIFT RING HEIGHT DIM "K"	FLOW TUBE WEIGHT (kgs.)
							STYLE A	STYLE B			
3 (80) ASME - 600 FULL, WN / RF	MS030.....C7	325	325	325	210	183	148	152	117	43	26
3 (80) ASME - 900, WN / RF	MS030.....C9	365	365	365	241	183	148	152	117	43	38
3 (80) ASME -1500, WN / RF	MS030.....CM	413	413	413	267	183	148	152	110	43	56
3 (80) ASME -2500, WN / RF	MS030.....CN	519	519	519	305	183	148	152	105	43	95
3 (80) ASME - 600 FULL, WN / RTJ	MS030.....E7	329	329	329	210	183	148	152	102	43	27
3 (80) ASME - 900, WN / RTJ	MS030.....E9	369	369	369	241	183	148	152	100	43	39
3 (80) ASME -1500, WN / RTJ	MS030.....EM	417	417	417	267	183	148	152	101	43	57
3 (80) ASME -2500, WN / RTJ	MS030.....EN	526	526	526	305	183	148	152	87	43	97
4 (100) ASME - 600 FULL, WN / RF	MS040.....C7	396	396	396	273	201	157	160	148	43	48
4 (100) ASME - 900, WN / RF	MS040.....C9	427	427	427	292	201	157	160	148	51	62
4 (100) ASME -1500, WN / RF	MS040.....CM	462	462	462	311	201	157	160	145	51	84
4 (100) ASME -2500, WN / RF	MS040.....CN	602	602	602	356	201	157	160	141	51	149
4 (100) ASME - 600 FULL, WN / RTJ	MS040.....E7	400	400	400	273	201	157	160	125	43	49
4 (100) ASME - 900, WN / RTJ	MS040.....E9	431	431	431	292	201	157	160	125	51	63
4 (100) ASME -1500, WN / RTJ	MS040.....EM	466	466	466	311	201	157	160	141	51	85
4 (100) ASME -2500, WN / RTJ	MS040.....EN	613	613	613	356	201	157	160	111	51	152
6 (150) ASME - 600 FULL, WN / RF	MS060.....C7	476	476	476	356	253	185	187	203	43	102
6 (150) ASME - 900, WN / RF	MS060.....C9	523	523	523	381	253	185	187	203	51	132
6 (150) ASME -1500, WN / RF	MS060.....CM	605	605	605	394	253	185	187	196	51	192
6 (150) ASME -2500, WN / RF	MS060.....CN	807	807	807	483	253	185	187	185	51	382
6 (150) ASME - 600 FULL, WN / RTJ	MS060.....E7	480	480	480	356	253	185	187	181	43	104
6 (150) ASME - 900, WN / RTJ	MS060.....E9	527	527	527	381	253	185	187	181	51	134
6 (150) ASME -1500, WN / RTJ	MS060.....EM	613	613	613	394	253	185	187	171	51	195
6 (150) ASME -2500, WN / RTJ	MS060.....EN	821	821	821	483	253	185	187	169	51	390
8 (200) ASME - 600 FULL, WN / RF	MS080.....C7	548	548	548	419	303	210	211	254	43	158
8 (200) ASME - 900, WN / RF	MS080.....C9	612	612	612	470	303	210	211	254	80	233
8 (200) ASME -1500, WN / RF	MS080.....CM	729	729	729	483	303	210	211	248	80	339
8 (200) ASME -2500, WN / RF	MS080.....CN	937	937	937	552	303	210	211	234	80	609
8 (200) ASME - 600 FULL, WN / RTJ	MS080.....E7	552	552	552	419	303	210	211	238	43	160
8 (200) ASME - 900, WN / RTJ	MS080.....E9	616	616	616	470	303	210	211	232	80	236
8 (200) ASME -1500, WN / RTJ	MS080.....EM	739	739	739	483	303	210	211	220	80	345
8 (200) ASME -2500, WN / RTJ	MS080.....EN	953	953	953	552	303	210	211	210	80	622

DRAWING NO. 000MS-0125

CONFIDENTIAL AND PROPRIETARY INFORMATION IS CONTAINED HEREIN AND MUST BE HANDLED ACCORDINGLY.	SURFACE FINISH UNLESS OTHERWISE SPECIFIED <input checked="" type="checkbox"/>	3RD ANGLE	SIZE C	SCALE -	REV AA
UNLESS OTHERWISE SPECIFIED DIMENSIONS IN INCHES (mm). REMOVE ALL BURRS AND SHARP EDGES.		<b>EMERSON</b>			
-DEC TOLERANCES- .X ± - [-] .XX ± - [-] .XXX ± - [-]		TITLE <b>ROSEMOUNT</b> <b>DIMENSIONAL DRAWING</b> <b>MODEL MS MAGNETIC FLOW TUBE - HIGH PRESSURE</b>			
FRACTIONS ± -	ANGLES ± -	DR. N. BOND 9/17/19	DRAWING NO. 000MS-0125		
DO NOT SCALE PRINT	CAD MAINTAINED. (PRO/E)	APP'D M. MAYER 9/19/19	PRODUCT CODE	DOC TYPE	SHEET 7 OF 8

