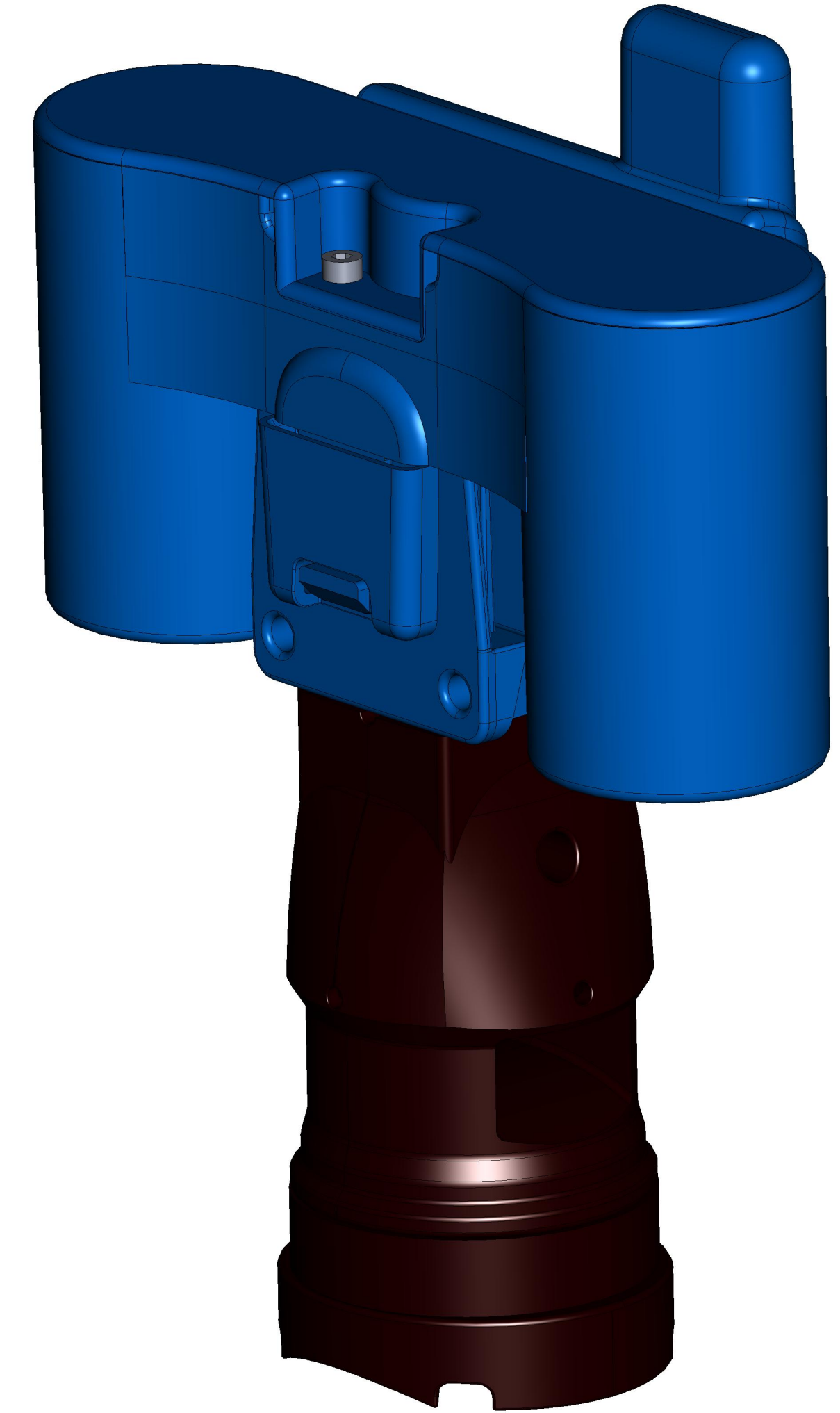
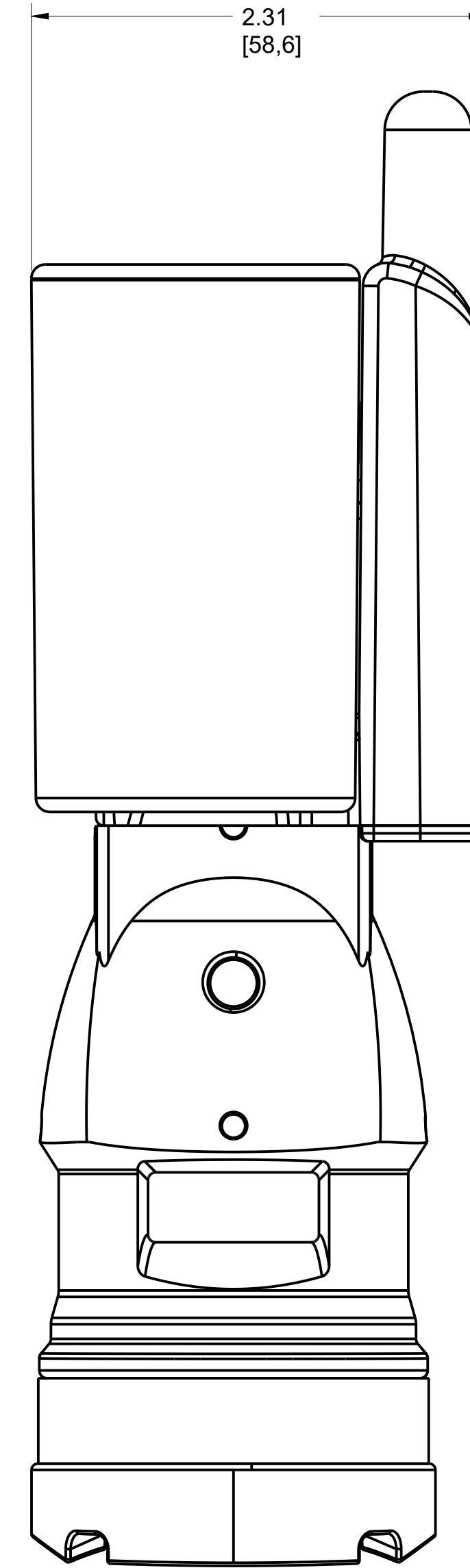
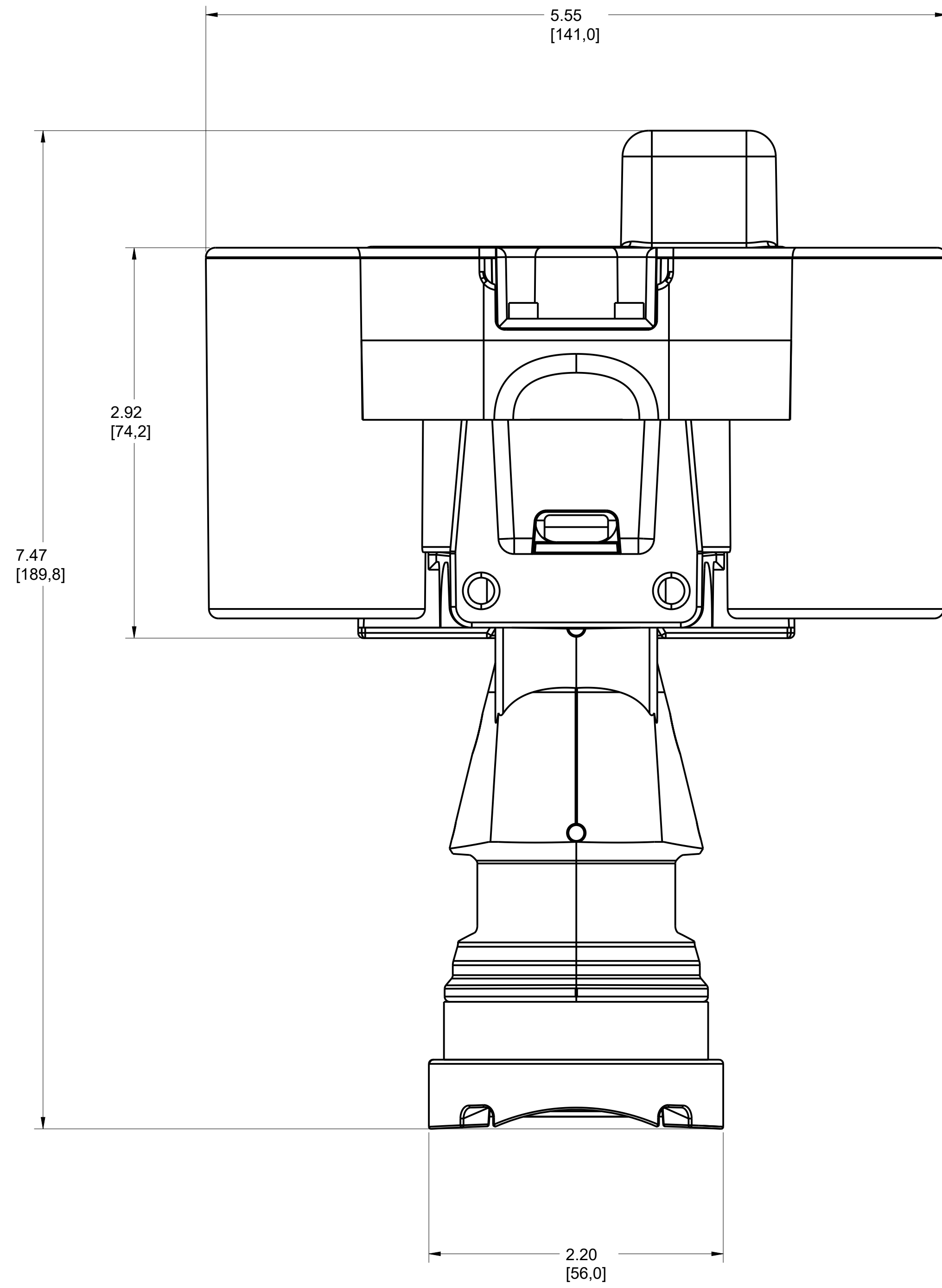


# ROSEMOUNT MODEL ET210 SENSOR CORROSION AND EROSION TRANSMITTER

REVISION TABLE			
REVISION	ECO NO.	APP'D	DATE
AA	RTC1073055	M POKORNY	5/7/19
DESCRIPTION			
NEW RELEASE			

## SENSOR HOUSING



©2015 ROSEMOUNT INC.  
ROSEMOUNT INC. CERTIFIES  
THIS DRAWING IS MADE  
IN ACCORDANCE WITH  
ROSEMOUNT ENGINEERING  
SPECIFICATIONS.  
UNIT NOTES IN INCHES (mm).

REFERENCE ROSEMOUNT  
PRODUCT SPECIFICATIONS.  
CLICK HERE

EMERSON

TITLE  
**ROSEMOUNT ET210  
TYPE I DRAWING**

DR. J. ARMSTRONG	5/7/19	DRAWING NO.	ET210-7000
APP'D M POKORY	5/7/19		

CAD MAINTAINED, (PROE) SHEET 1 OF 1

3RD ANGLE

SIZE D SCALE NTS