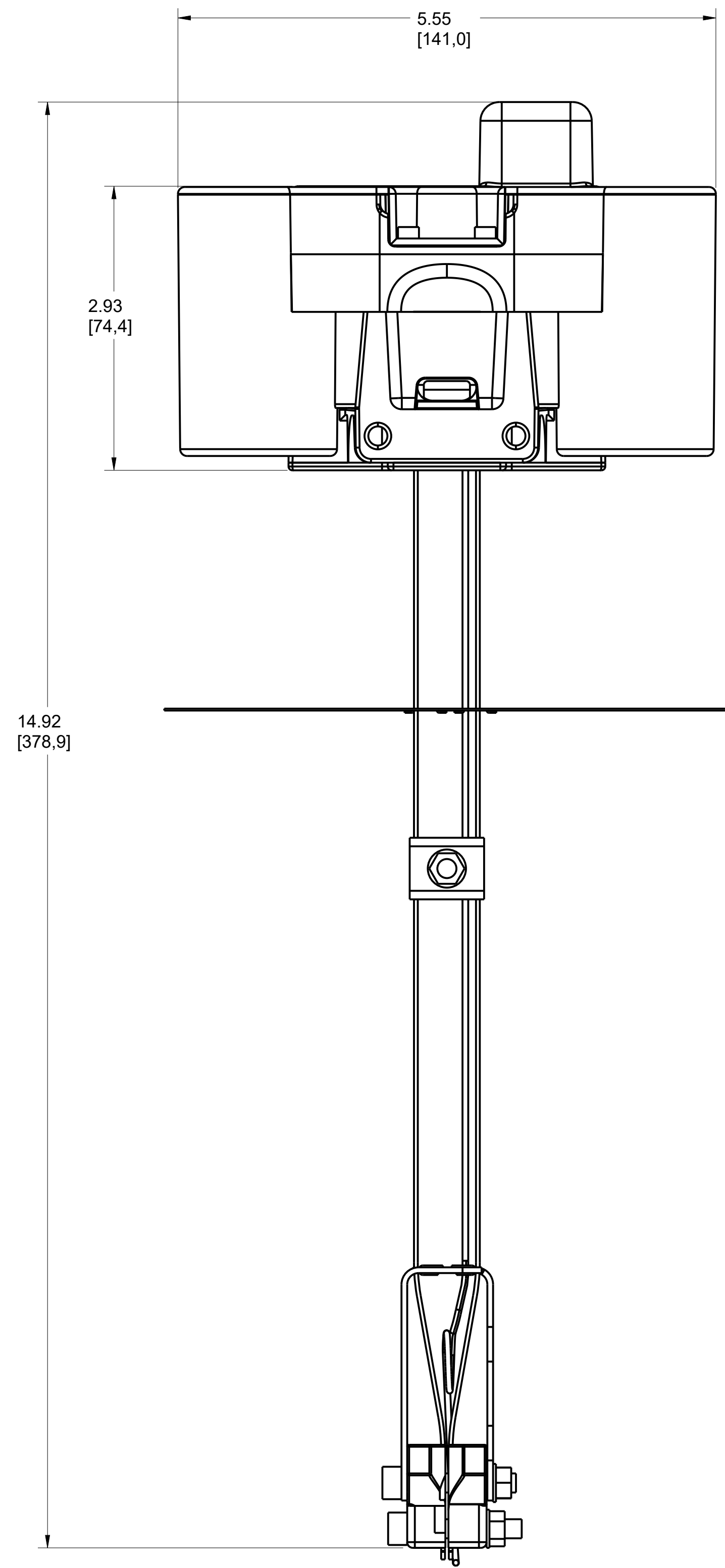
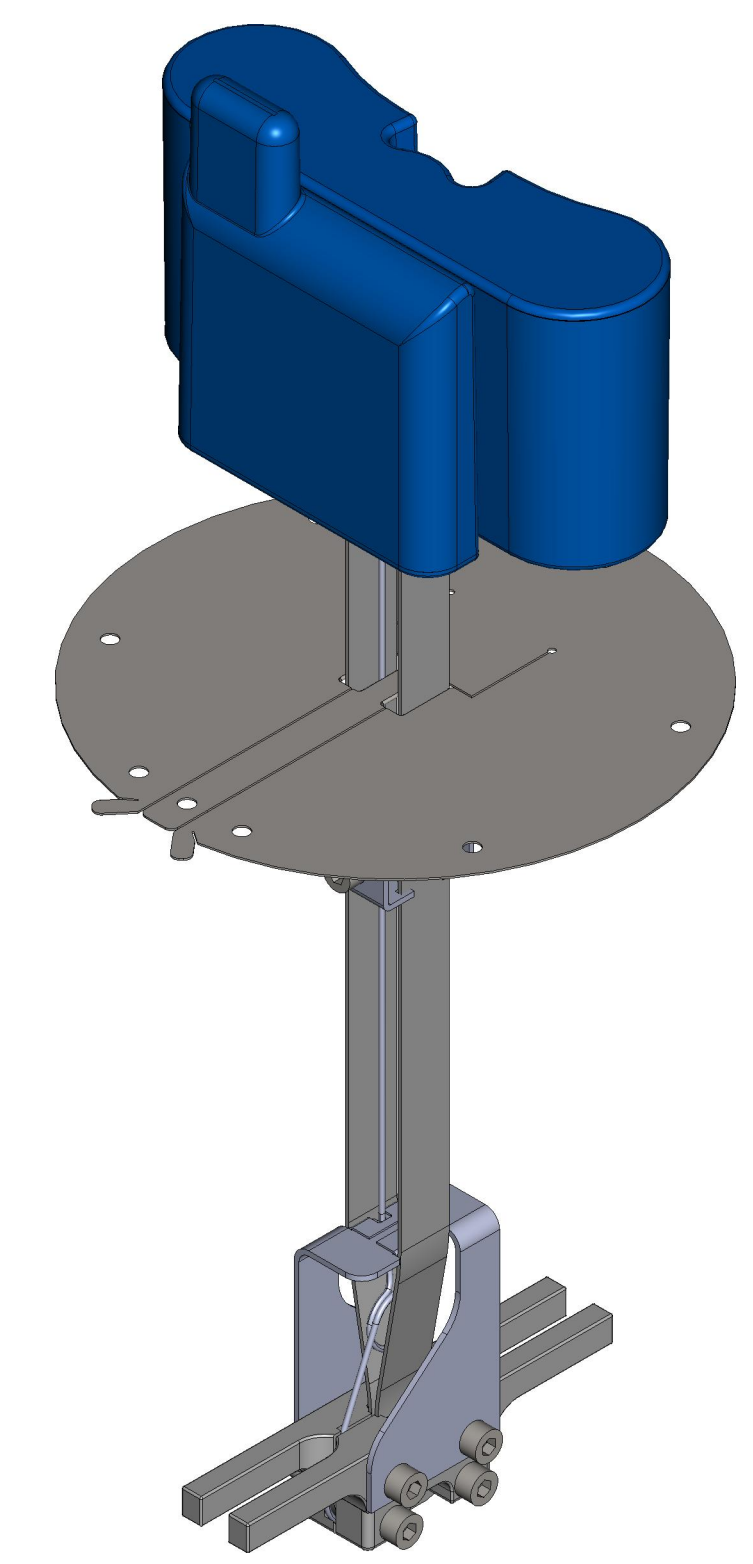
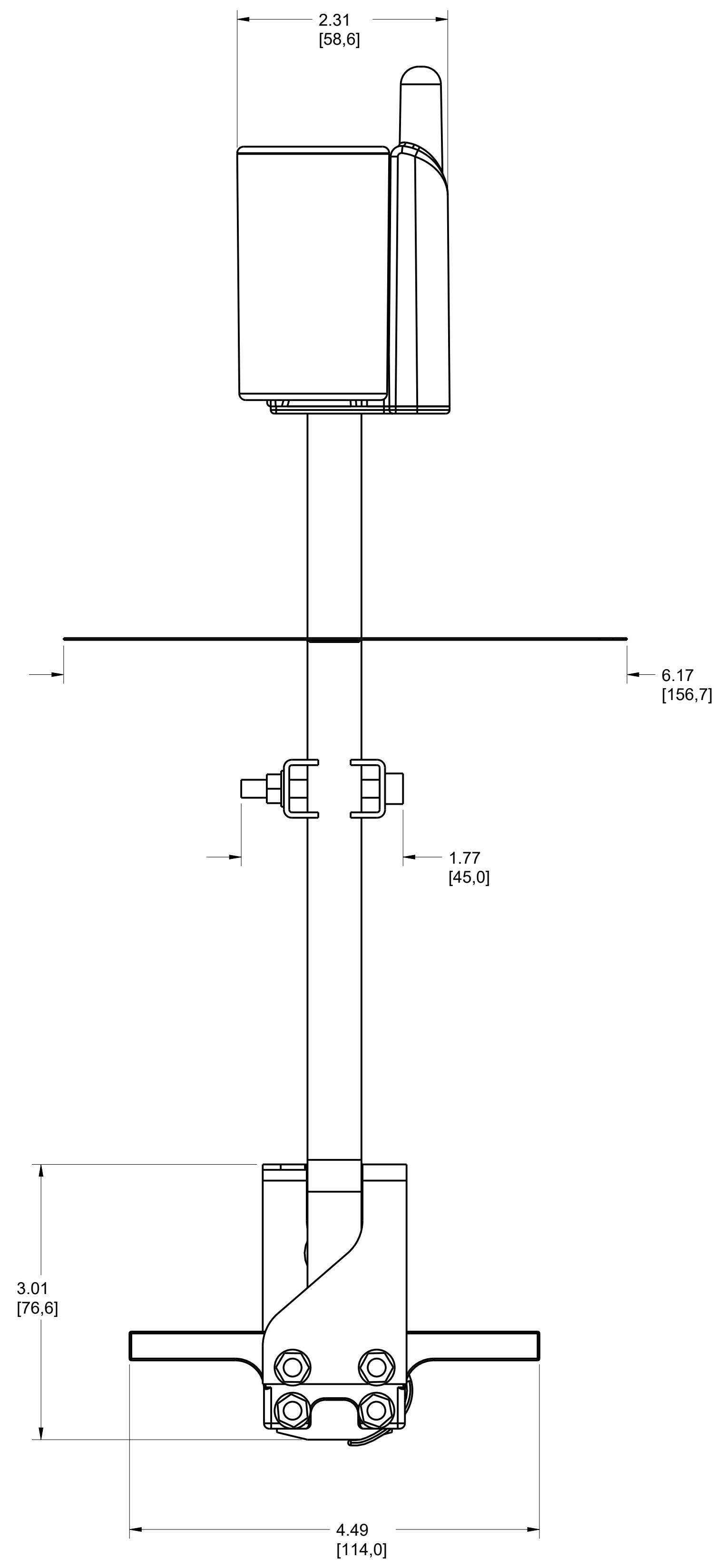


# ROSEMOUNT MODEL WT210 SENSOR CORROSION AND EROSION TRANSMITTER

| REVISION TABLE |            |            |        |
|----------------|------------|------------|--------|
| REVISION       | ECO NO.    | APP'D      | DATE   |
| AA             | RTC1073055 | M. POKORNY | 5/6/19 |
| DESCRIPTION    |            |            |        |
| NEW RELEASE    |            |            |        |



## SENSOR HOUSING



©2015 ROSEMOUNT INC.  
ROSEMOUNT INC. CERTIFIES  
THIS DRAWING IS MADE IN  
ACCORDANCE WITH  
ROSEMOUNT ENGINEERING  
SPECIFICATIONS.  
UNIT NOTES IN INCHES (mm).  
REFERENCE ROSEMOUNT  
PRODUCT SPECIFICATIONS.  
CLICK HERE

**EMERSON**

TITLE  
**ROSEMOUNT WT210  
TYPE I DRAWING**

|                  |        |             |            |
|------------------|--------|-------------|------------|
| DR. J. ARMSTRONG | 5/6/19 | DRAWING NO. | WT210-7000 |
| APP'D M. MOKORNY | 5/6/19 |             |            |

CAD MAINTAINED, (PROE) SHEET 1 OF 1