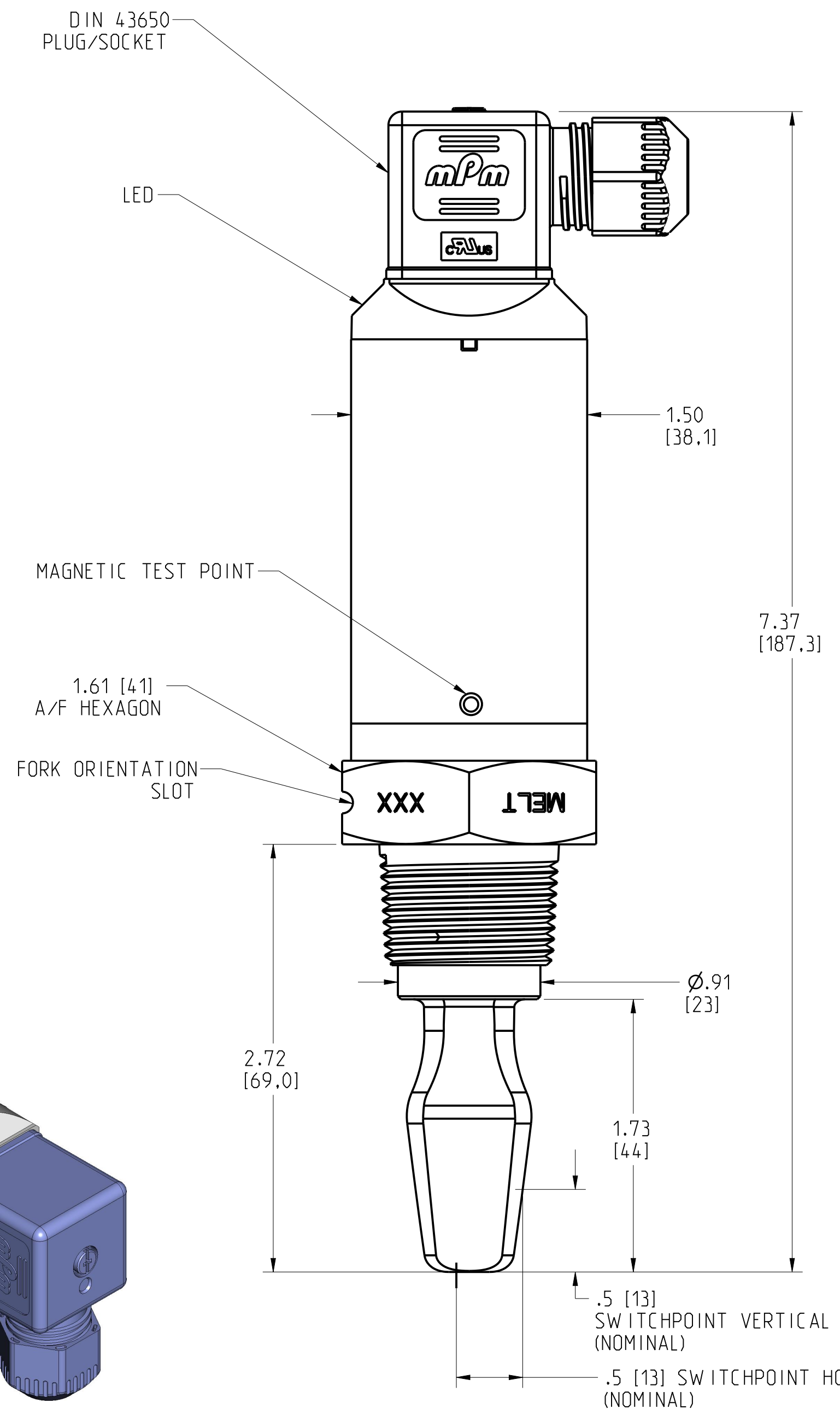
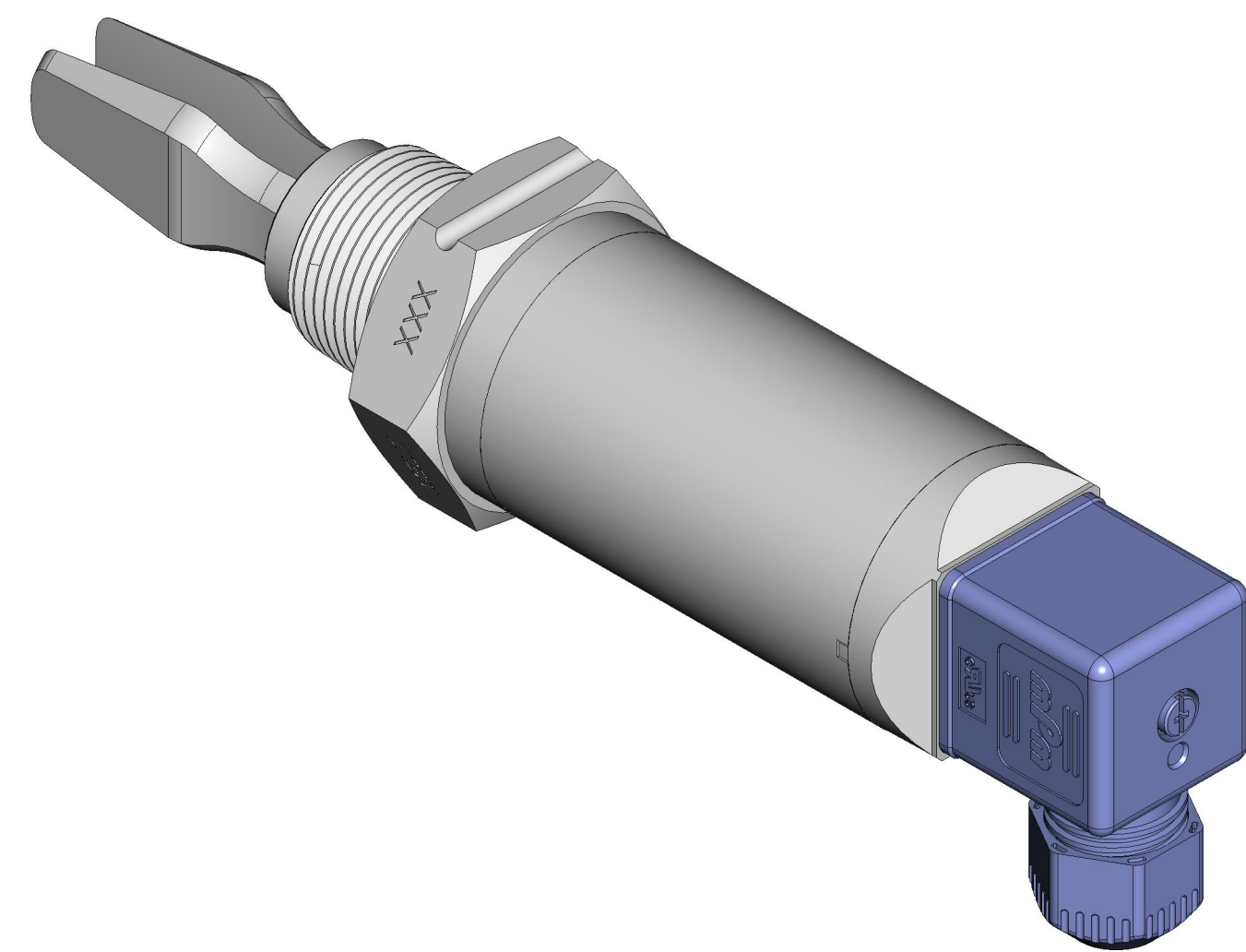
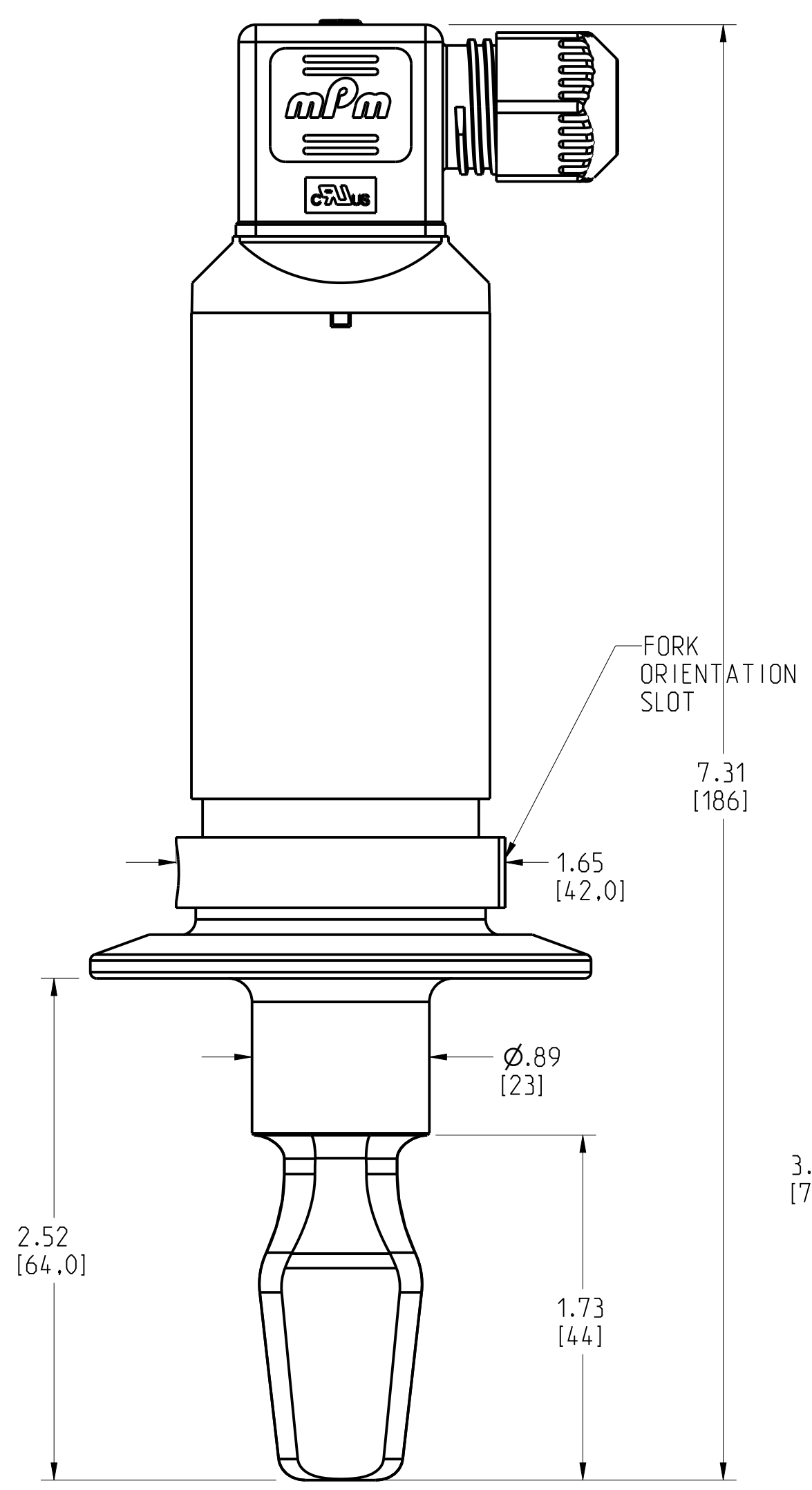


# ROSEMOUNT 2110 COMPACT VIBRATING FORK LIQUID LEVEL SWITCH

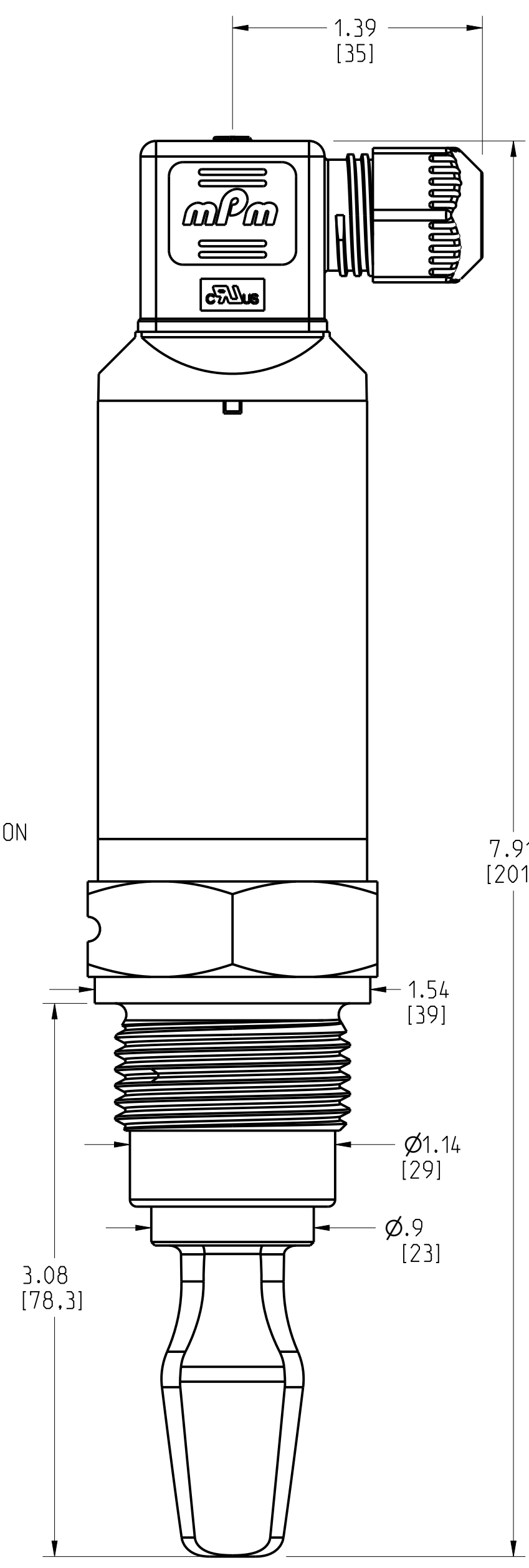
REVISION TABLE			
REVISION	ECO NO.	APP'D	DATE
AB	RTC1078334	D ISAAKSSON	11/29/21
DESCRIPTION			
UPDATE TO ROSEMOUNT TITLEBLOCK AND LOOK			



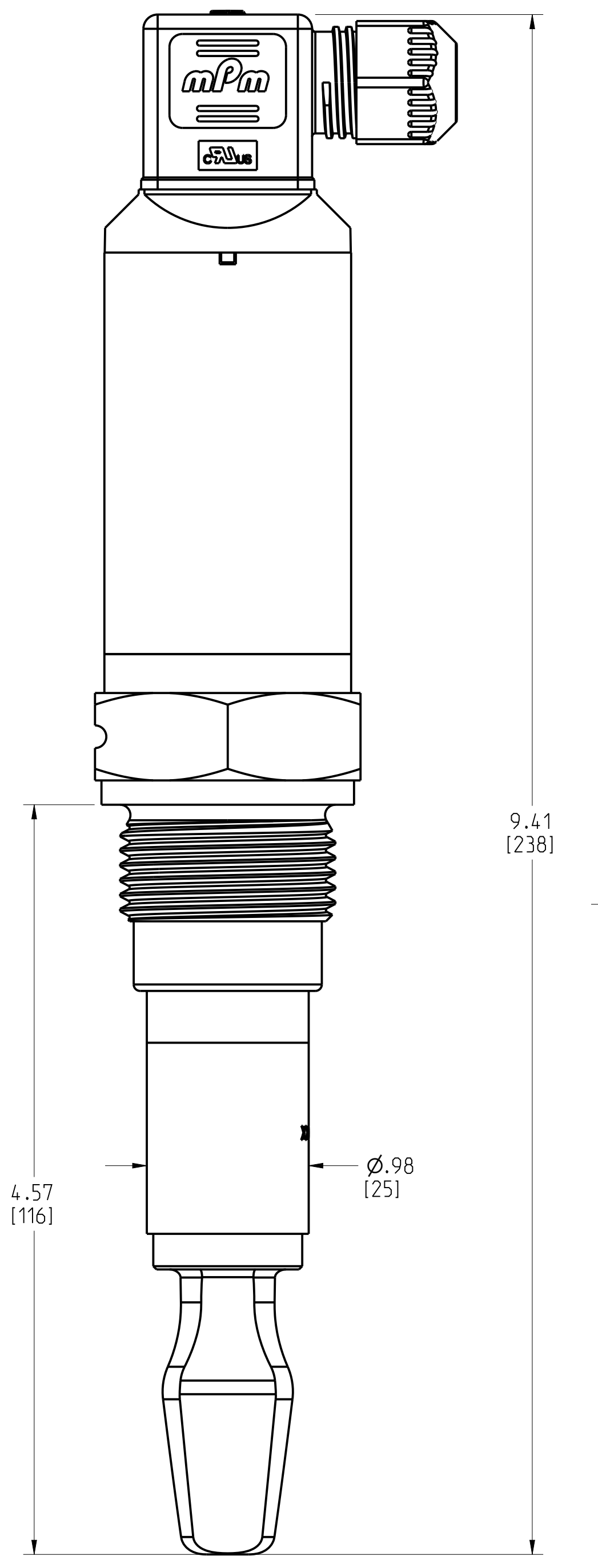
BSPT/NPT THREAD



HYGIENIC 2 IN. TRI-CLAMP



BSPP THREAD



BSPP THREAD (SEMI-EXTENDED)

©2015 ROSEMOUNT, INC.  
 ROSEMOUNT INC. ACCEPTS  
 RESPONSIBILITY FOR THE  
 ACCURACY OF THE DATA  
 PRESENTED IN THIS  
 DRAWING. CONTACT  
 ROSEMOUNT ENGINEERING  
 SPECIFICATIONS.  
 UNIT NOTES IN INCHES (mm).  
 REFERENCE ROSEMOUNT  
 PRODUCT SPECIFICATIONS.  
 CLICK HERE

		3RD ANGLE		SIZE D	SCALE NTS
<b>ROSEMOUNT 2110 LEVEL SWITCH                  TYPE I DRAWING</b>					
DR. J. ARMSTRONG	9/26/21	DRAWING NO.		02110-7000	
APP'D O ISAAKSSON	9/26/21				
CAD MAINTAINED (PRO/E)					SHEET 1 OF 1