

# ROSEMOUNT 2160 WIRELESS VIBRATING FORK LIQUID LEVEL DETECTOR (THREADED NPT) (HIGH TEMP)

EXTENDED LENGTH (NPT) WITH DISPLAY

STANDARD LENGTH (NPT) WITH NO DISPLAY

STANDARD LENGTH (NPT) WITH NO DISPLAY

REVISION TABLE			
REVISION	ECO NO.	APP'D	DATE
AE	RTC10B0315	O ISAKSSON	2/10/23
DESCRIPTION			
Update tables and dimensions.			

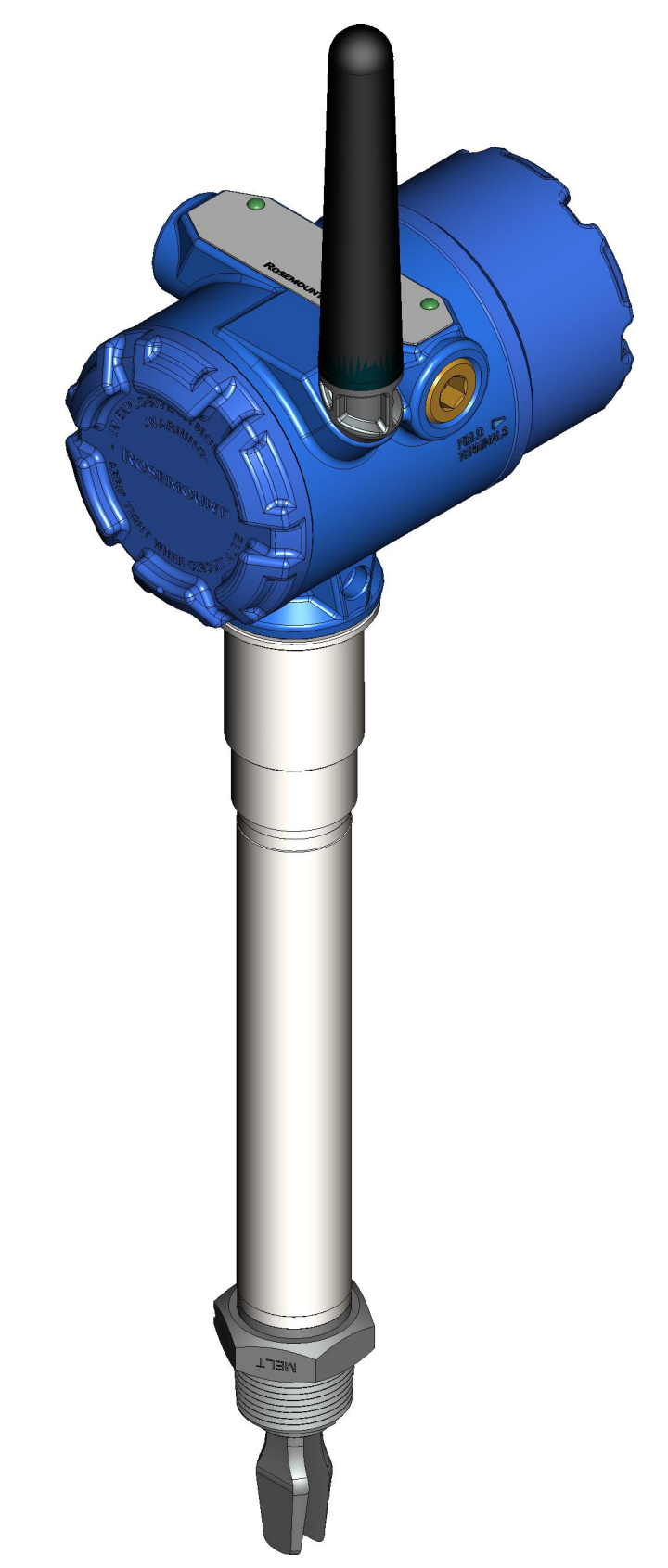
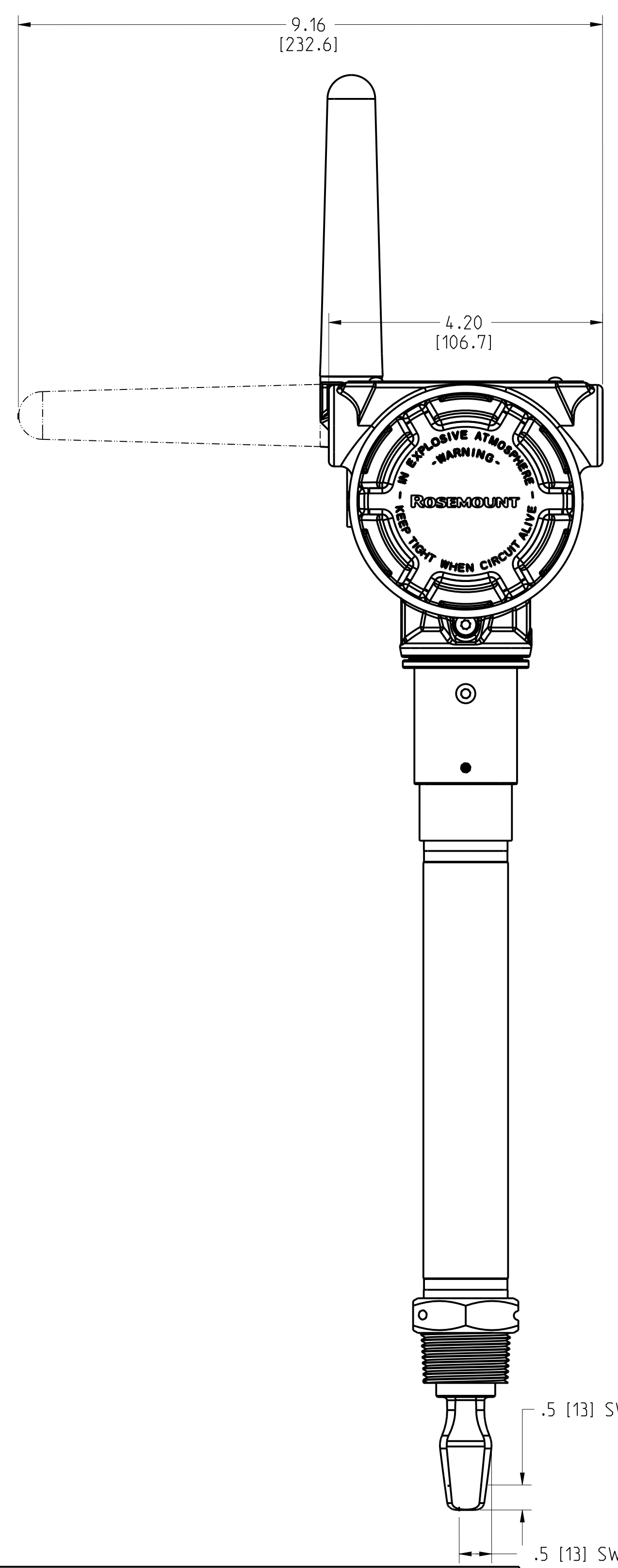
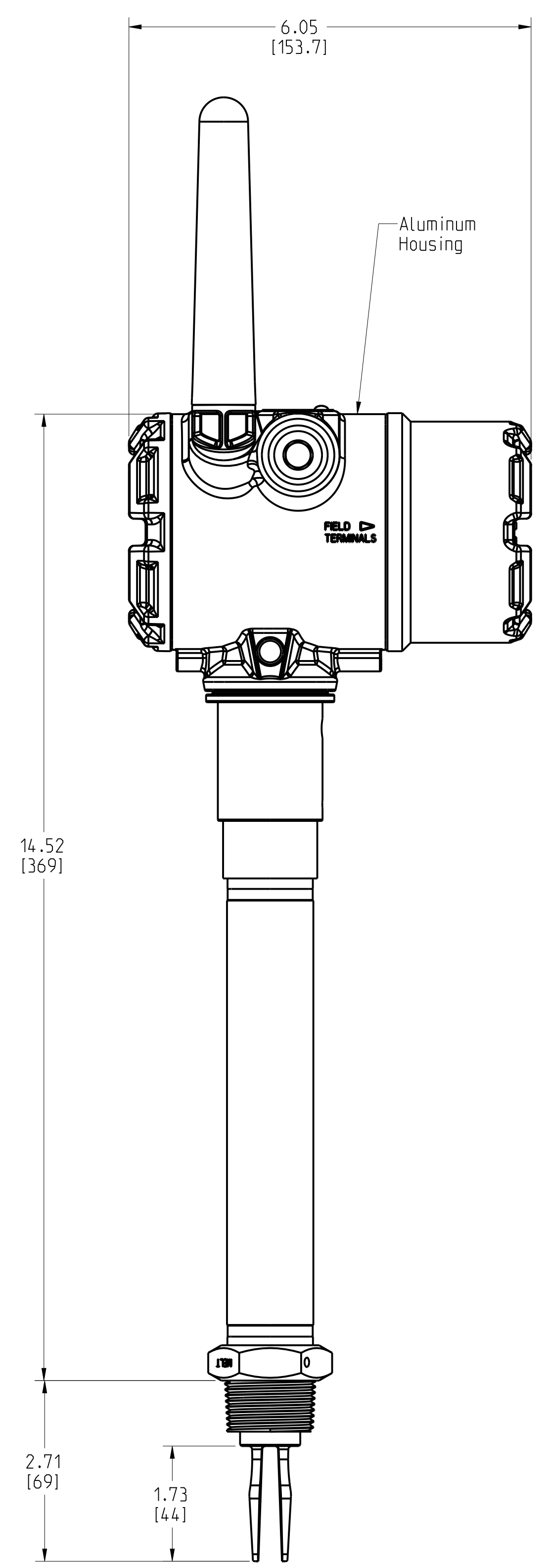
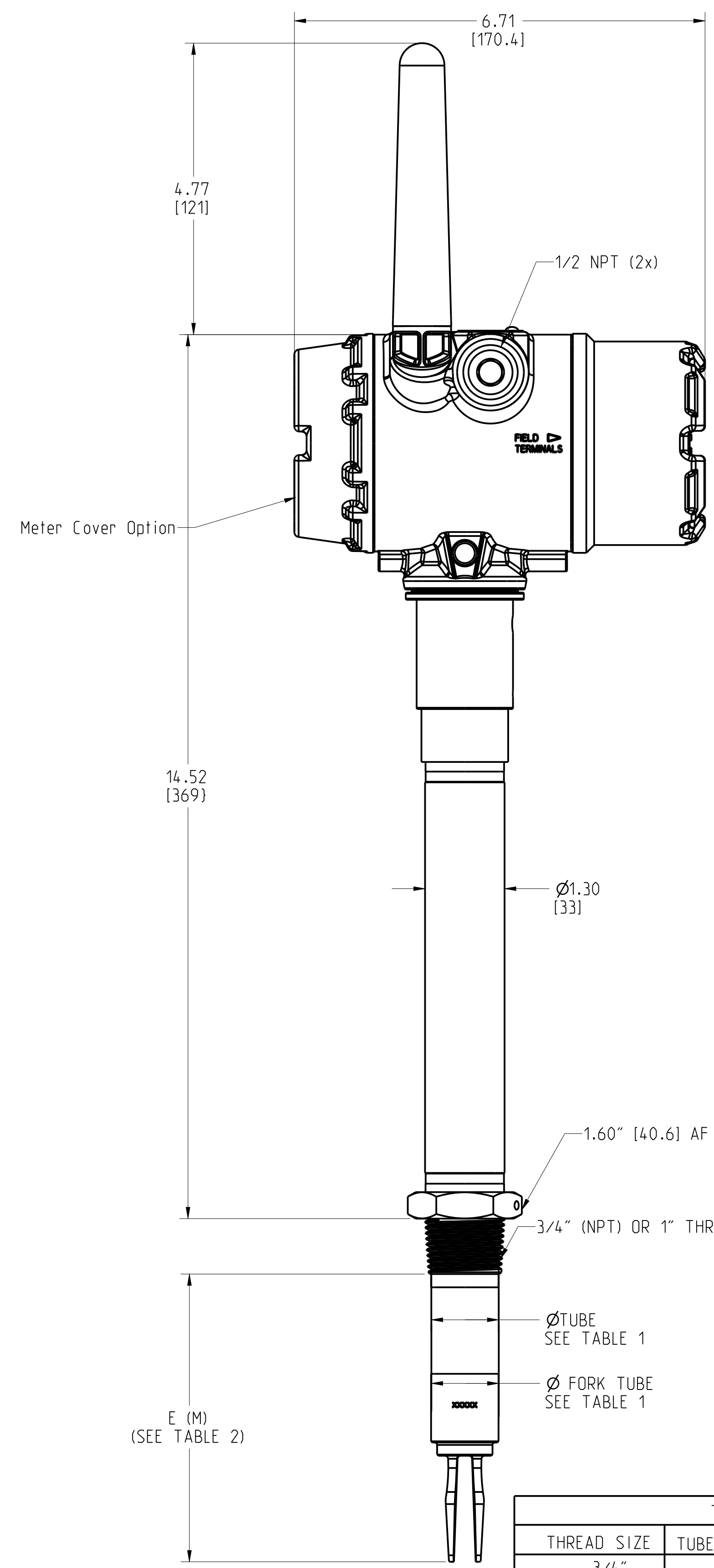


TABLE 1 FORK EXTENSION TUBE DIA.

THREAD SIZE	TUBE MATERIAL	EXT TUBE MAX O/D	FORK TUBE MAX O/D	NOTE
3/4"	316/316L	.9 [22.8]	.9 [22.75]	1.
1" & 2"	316/316L	1.13 [28.8]	1.11 [28.1]	1.
3/4"	ALLOY C/C-276	.85 [21.6]	.9 [22.75]	1.
1"	ALLOY C/C-276	1.06 [26.9]	1.06 [26.8]	1.

1. Weld between extension tube and fork tube locally add up to 0.4 [1] to largest tube dia.

TABLE 2. FORK LENGTH

THREAD	STANDARD LENGTH	MIN LENGTH E	FORK LENGTH E
3/4"	1.73 [44]	3.75 [94]	118.1 [3000]
1"	1.73 [44]	3.75 [94]	118.1 [3000]
O-RING SEAL (1" BSPP)	1.73 [44]	—	—

©2015 ROSEMOUNT, INC.  
ROSEMOUNT INCORPORATES  
THIS ACCORDANCE WITH  
ROSEMOUNT ENGINEERING  
SPECIFICATIONS.  
UNIT NOTES IN INCHES (mm).  
REFERENCE ROSEMOUNT  
PRODUCT SHEETS FOR  
PRODUCT SPECIFICATIONS.  
CLICK HERE

3RD ANGLE SIZE D SCALE NTS

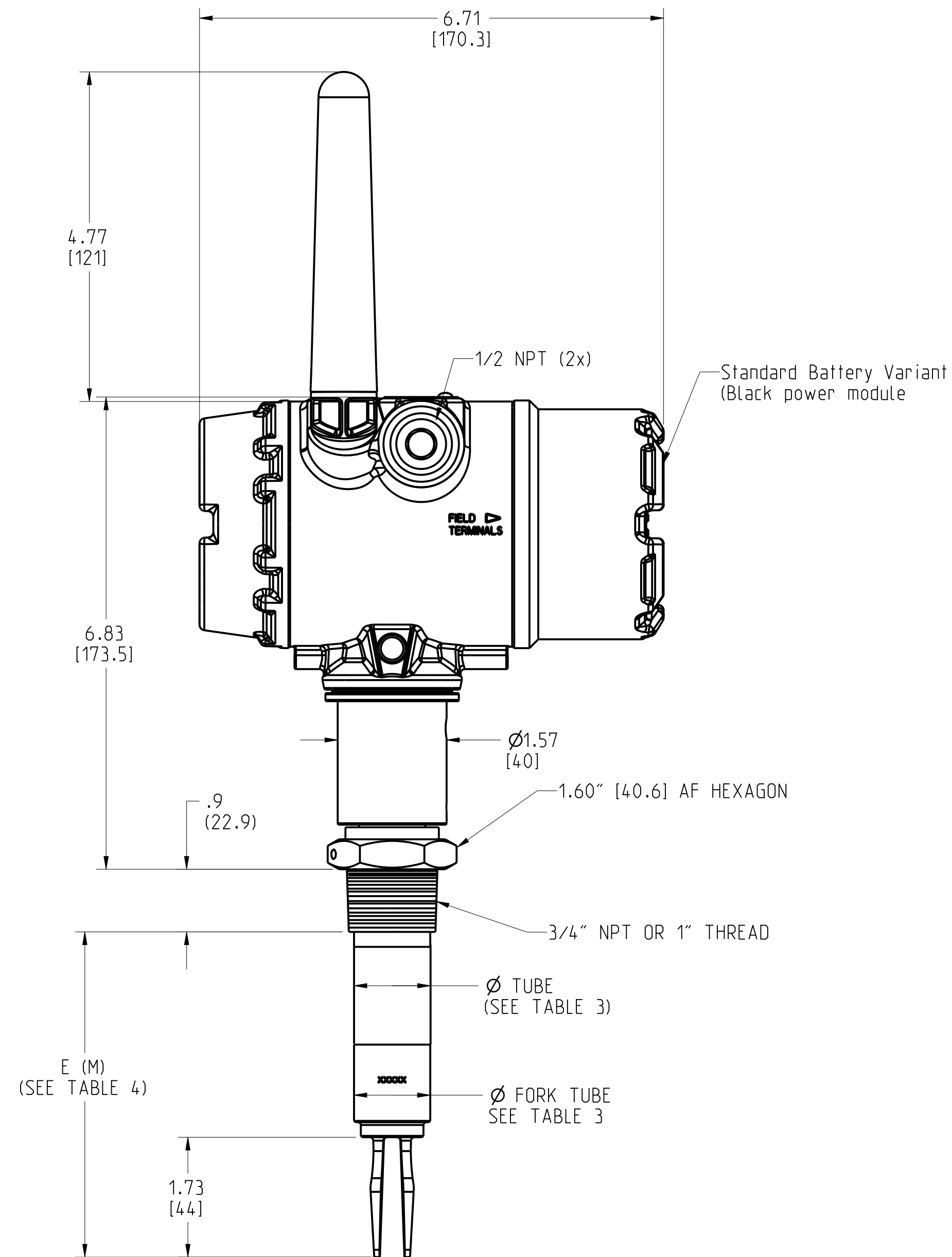
**EMERSON**

ROSEMOUNT 2160 WIRELESS FORK  
TYPE I DRAWING

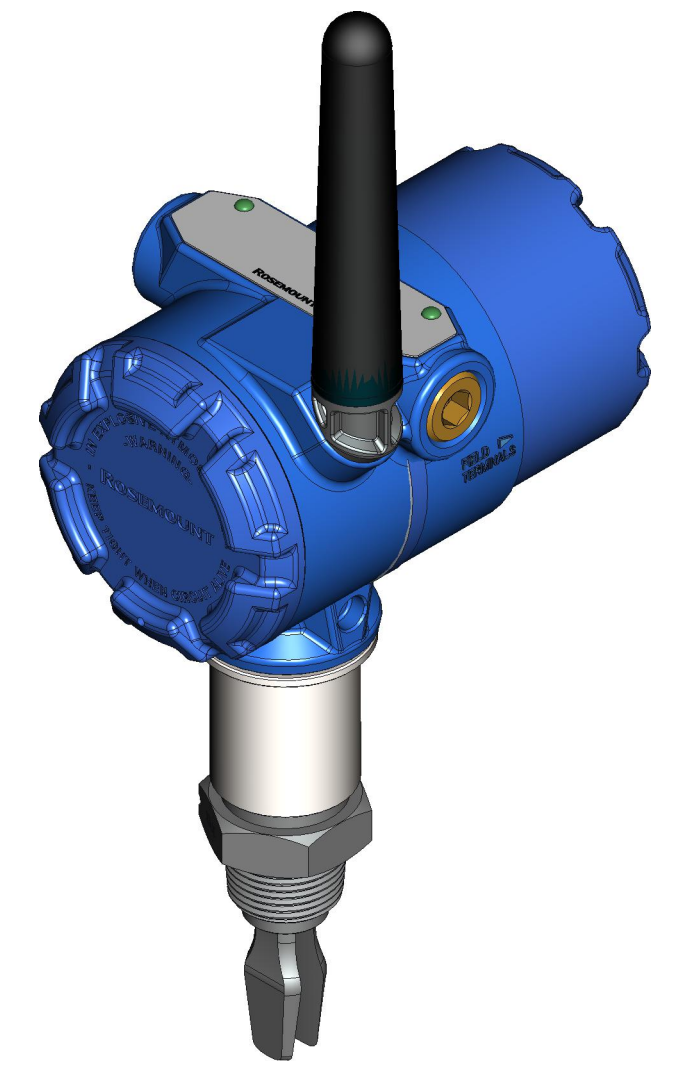
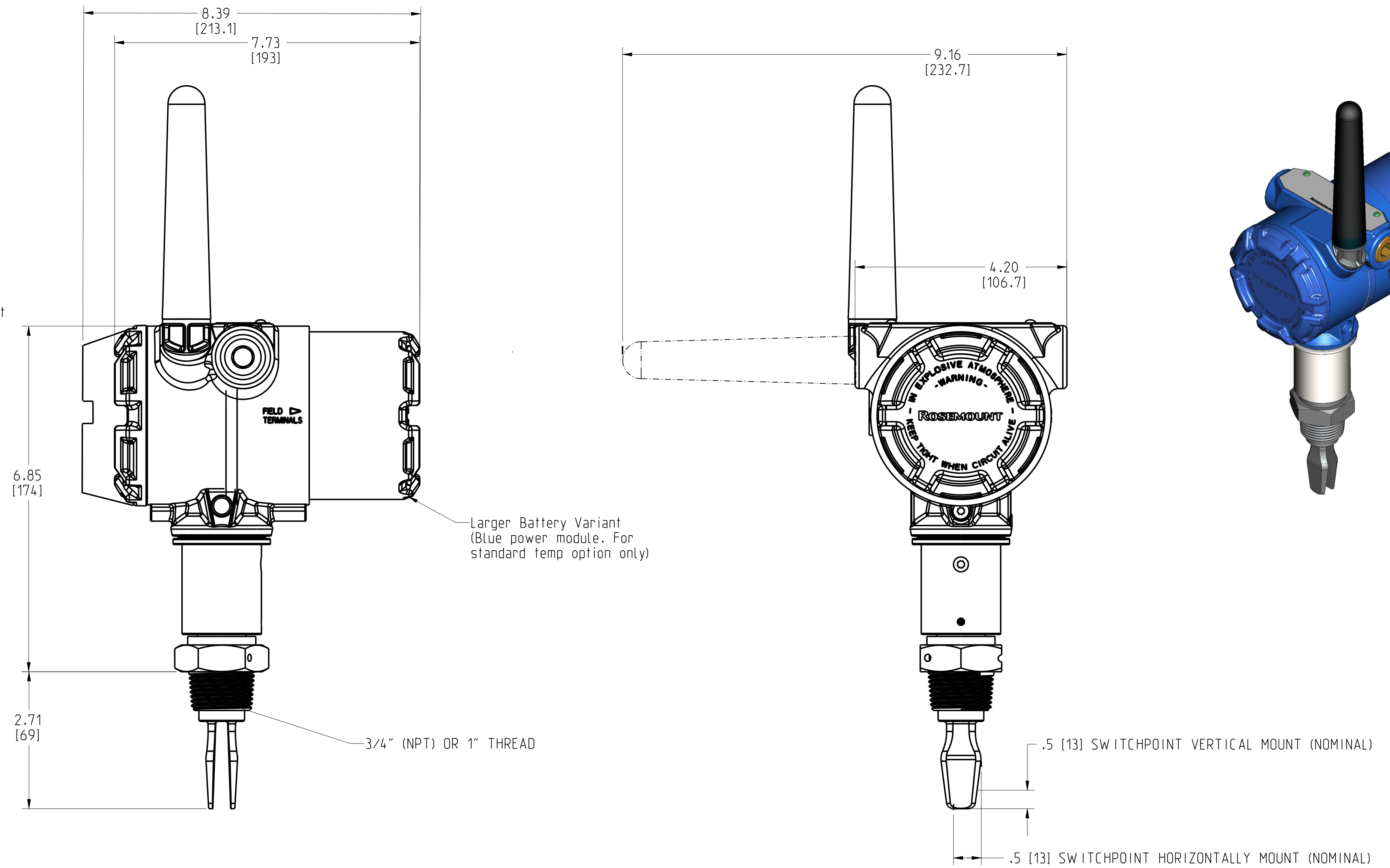
DR. J. ARMSTRONG 12/14/20 DRAWING NO. 02160-7000  
APP'D O. ISAKSSON 12/14/20  
CAD MAINTAINED. (PRO/E) SHEET 1 OF 6

# ROSEMOUNT 2160 WIRELESS VIBRATING FORK LIQUID LEVEL DETECTOR (THREADED)

EXTENDED LENGTH (NPT) WITH DISPLAY



STANDARD LENGTH (NPT) WITH NO DISPLAY



THREAD SIZE	TUBE MATERIAL	EXT TUBE MAX O/D	FORK TUBE MAX O/D	NOTE
3/4"	316/316L	.9 [22.8]	.9 [22.75]	1.
1" & 2"	316/316L	1.13 [28.8]	1.11 [28.1]	1.
3/4"	ALLOY C/C-276	.85 [21.6]	.9 [22.75]	1.
1"	ALLOY C/C-276	1.06 [26.9]	1.06 [26.8]	1.

<sup>1</sup>Weld between extension tube and fork tube locally add up to 0.4 [1] to largest tube dia.

THREAD	STANDARD LENGTH	MIN LENGTH E	FORK LENGTH E
3/4"	1.73 [44]	3.75 [94]	118.1 [3000]
1"	1.73 [44]	3.75 [94]	118.1 [3000]
O-RING SEAL (1" BSPP)	1.73 [44]	—	—

©2015 ROSEMOUNT INC.  
ROSEMOUNT INC. ACCEPTS  
THIS DRAWING AS THE FINAL  
DRAWING IN ACCORDANCE WITH  
ROSEMOUNT ENGINEERING  
SPECIFICATIONS.  
UNIT NOTES IN INCHES (mm).  
REFERENCE ROSEMOUNT  
PRODUCT SPECIFICATIONS FOR  
PRODUCT SPECIFICATIONS.  
CLICK HERE

3RD ANGLE SIZE D SCALE NTS

**EMERSON**

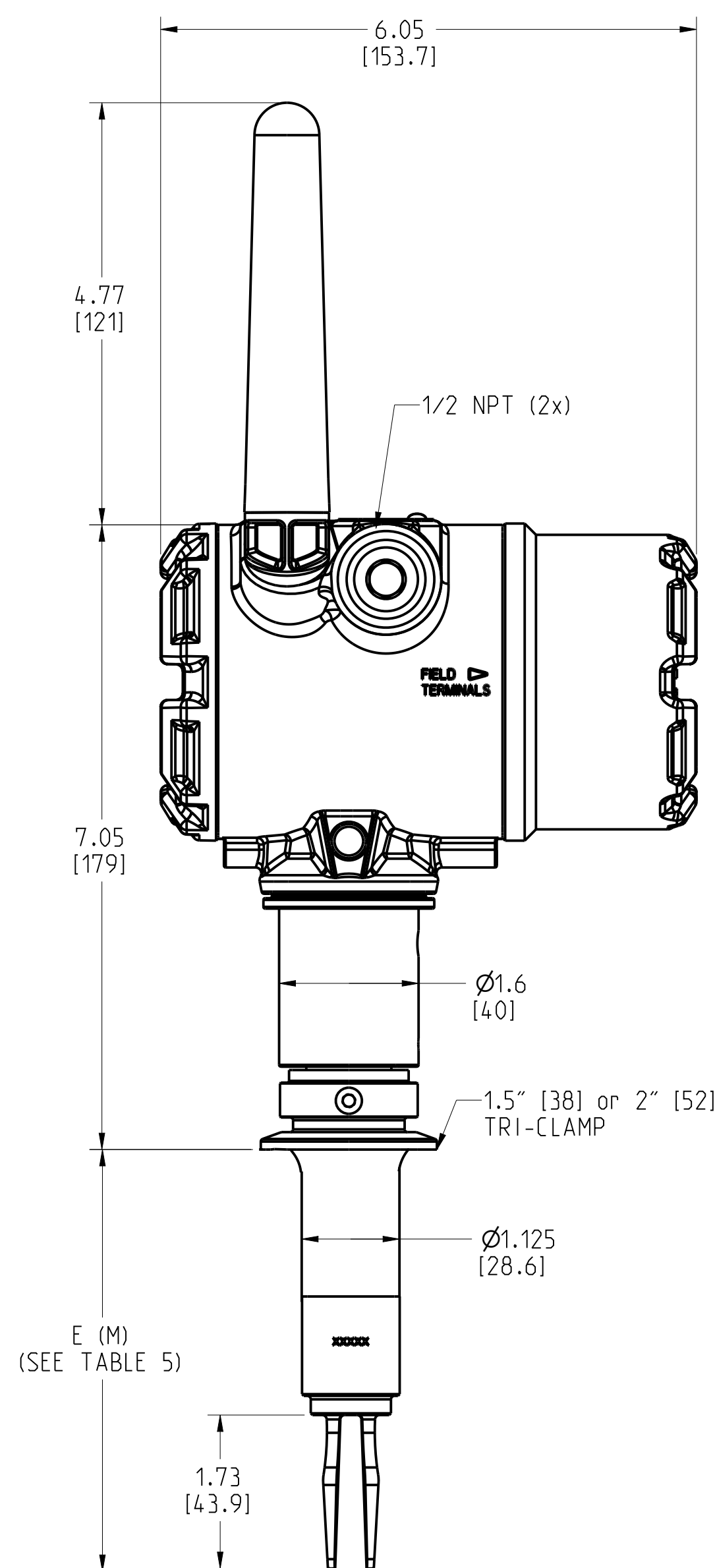
ROSEMOUNT 2160 WIRELESS FORK  
TYPE I DRAWING

DR. J. ARMSTRONG 12/14/20 DRAWING NO. 02160-7000  
APP'D O. ISAKSSON 12/14/20

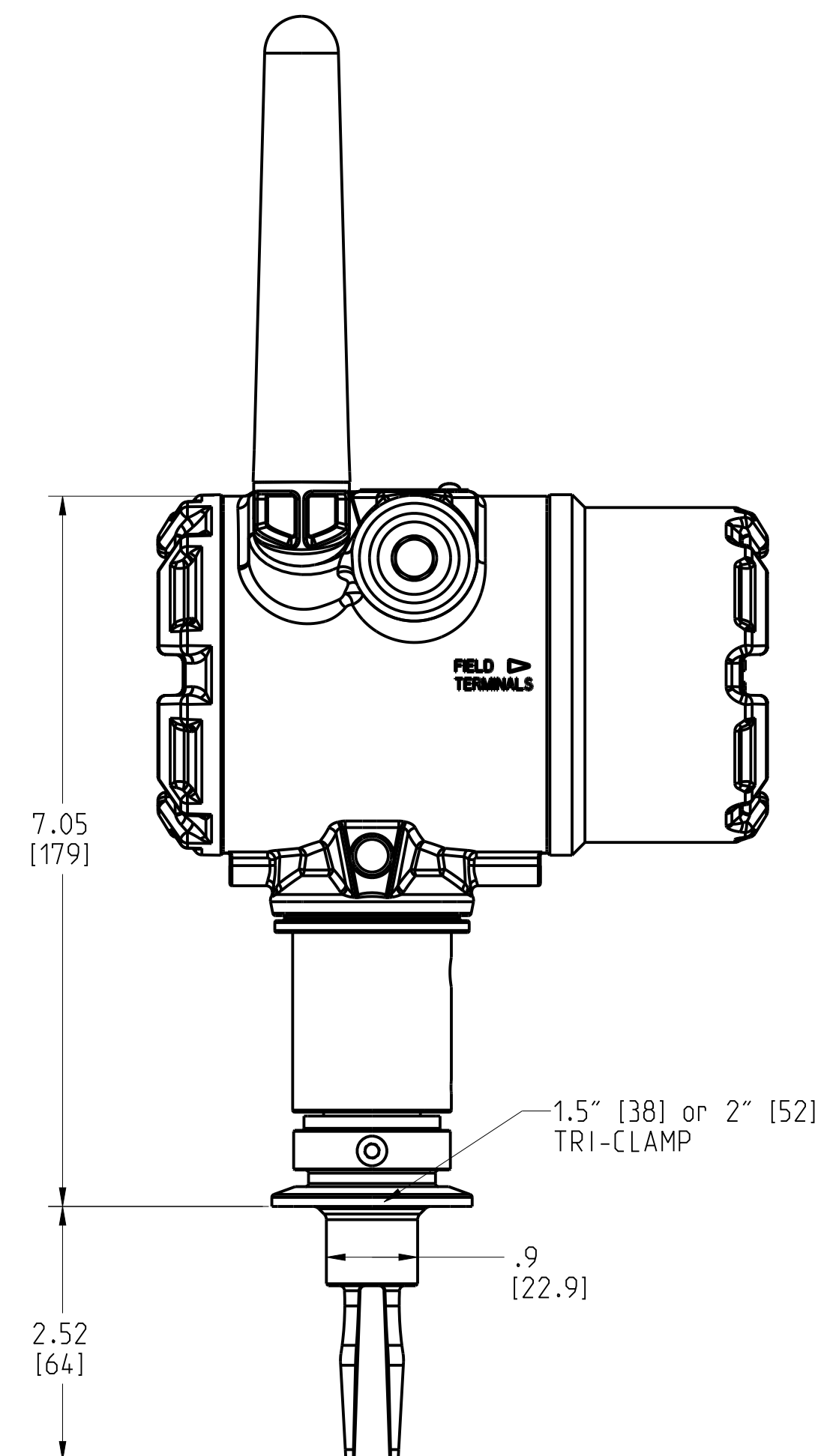
CAD MAINTAINED (PRO/E) SHEET 2 OF 6

# ROSEMOUNT 2160 WIRELESS VIBRATING FORK LIQUID LEVEL DETECTOR (TRI-CLAMP and BSPP)

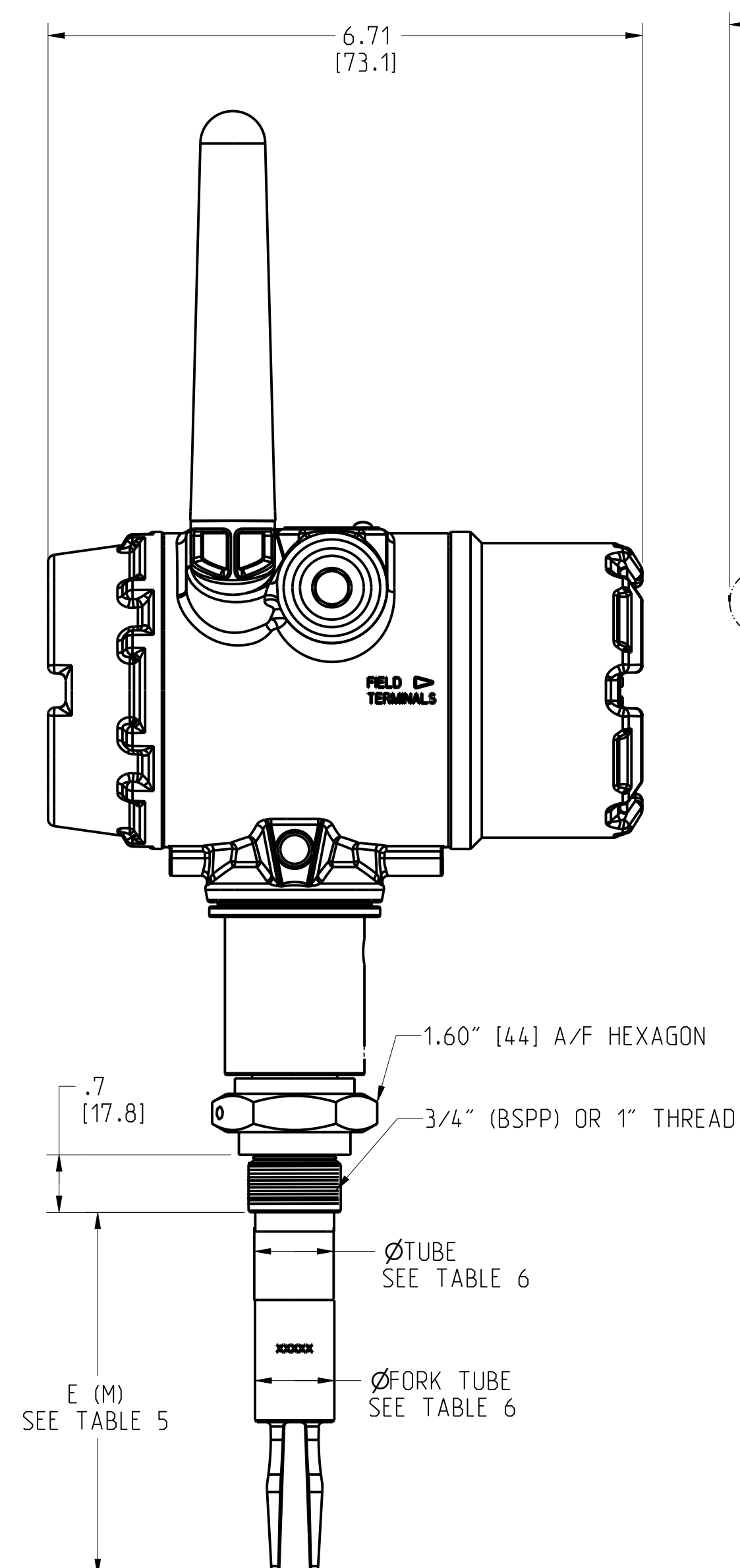
EXTENDED LENGTH WITH NO DISPLAY TRI-CLAMP



STANDARD LENGTH WITH NO DISPLAY TRI-CLAMP



EXTENDED LENGTH WITH DISPLAY (BSPP)



STANDARD LENGTH WITH DISPLAY (BSPP)

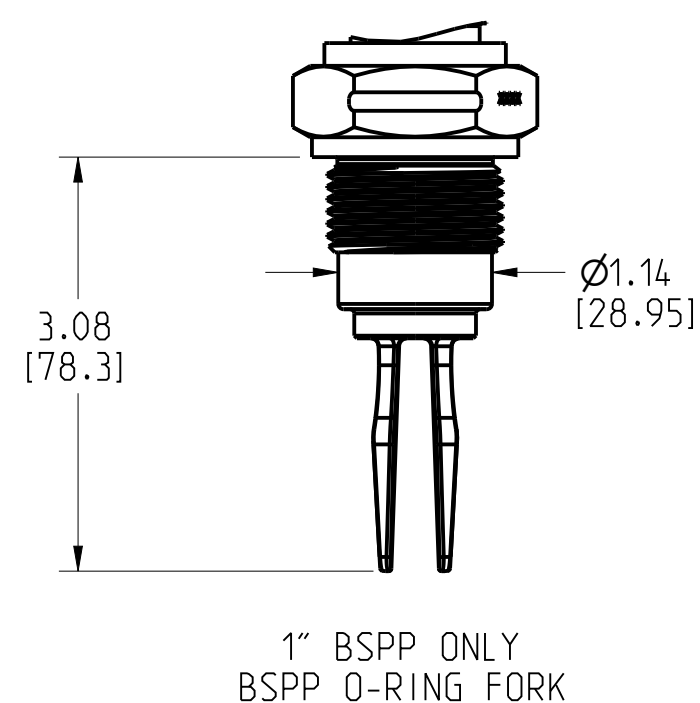
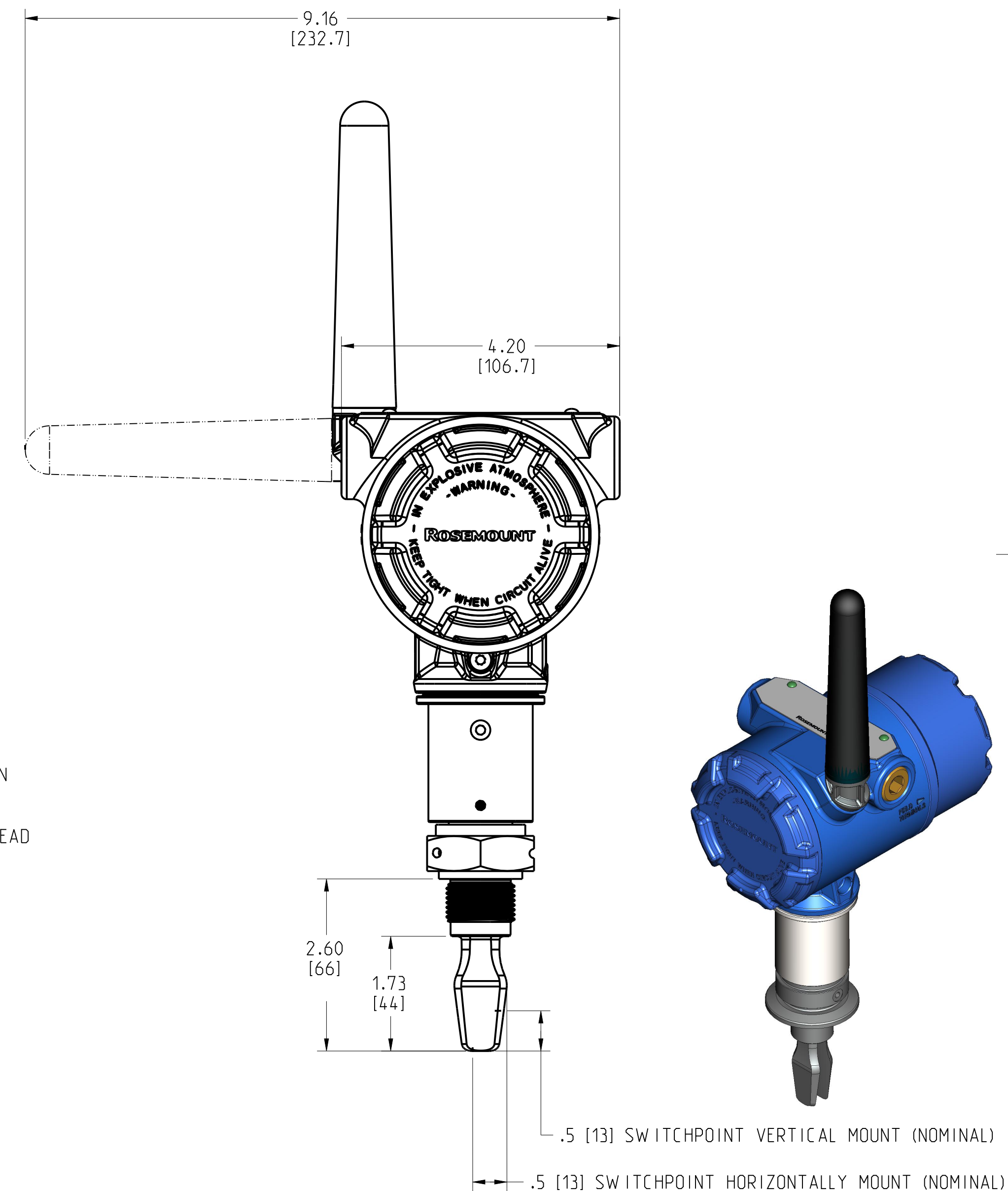


TABLE 5 FORK LENGTH

CONNECTION	STANDARD LENGTH	MIN LENGTH E	MAX LENGTH E	HANDPOLISH MAX LENGTH
3/4-IN THREAD	1.73 [44]	3.75 [95]	118.1 [3000]	-
1-IN THREAD	1.73 [44]	3.75 [95]	118.1 [3000]	1.33 [44], BSPP O-RING FORK
TRI-CLAMP	1.70 [44]	4.10 [105]	118.1 [3000]	39.3 [1000]
TRI-CLAMP (POLISHED)	1.70 [44]	4.10 [105]	118.1 [3000]	39.3 [1000]
O-RING SEAL (1" BSPP)	1.70 [44]	—	—	—

TABLE 6 FORK EXTENSION TUBE DIA.

THREAD SIZE	TUBE MATERIAL	EXT TUBE MAX O/D	FORK TUBE MAX O/D	NOTE
3/4"	316/316L	.9 [22.8]	.9 [22.75]	1.
1" & 2"	316/316L	1.13 [28.8]	1.11 [28.1]	1.
3/4"	ALLOY C/C-276	.85 [21.6]	.9 [22.75]	1.
1"	ALLOY C/C-276	1.06 [26.9]	1.06 [26.8]	1.

<sup>1</sup>Weld between extension tube and fork tube locally add up to 0.4 [1] to largest tube dia.

©2015 ROSEMOUNT INC. ROSEMOUNT INC. ACCEPTS THIS DRAWING AS THE ACCURATE REPRESENTATION OF THE PRODUCT SPECIFICATIONS. UNIT NOTES IN INCHES (mm). PREFERENCE ROSEMOUNT PRODUCT SPECIFICATIONS FOR PRODUCT SPECIFICATIONS. CLICK HERE

3RD ANGLE SIZE D SCALE NTS

**EMERSON**

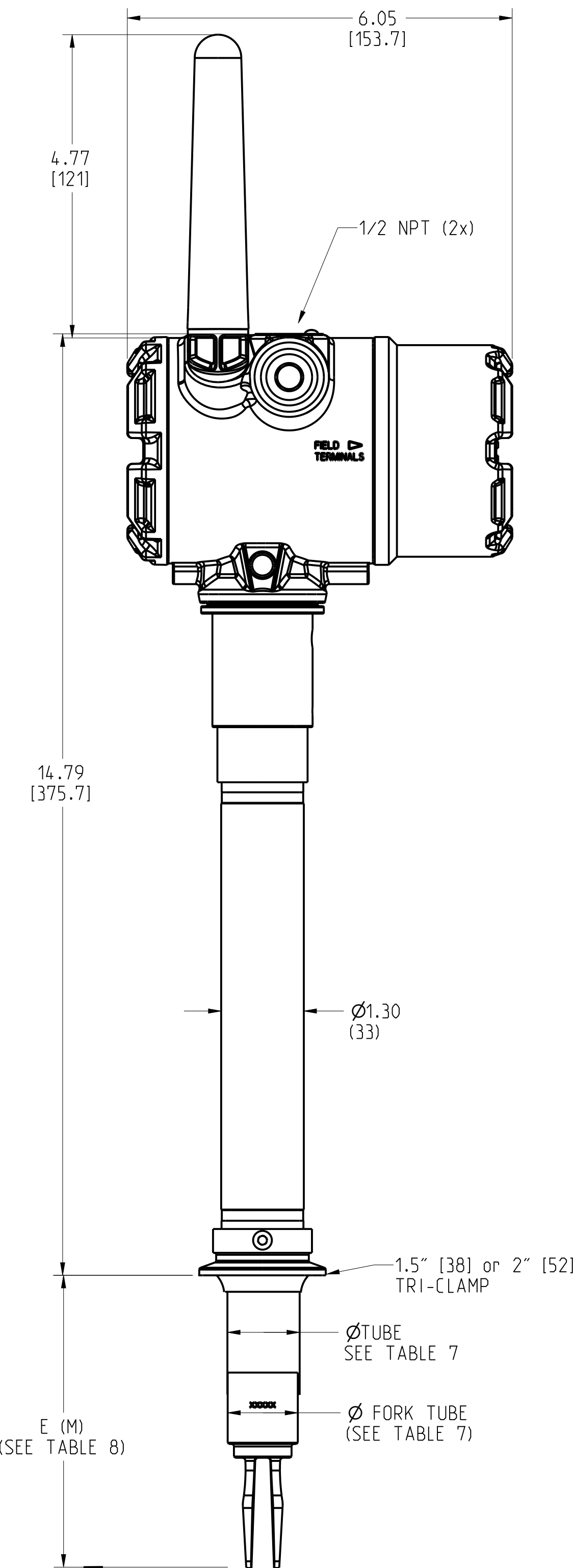
ROSEMOUNT 2160 WIRELESS FORK TYPE I DRAWING

DR. J. ARMSTRONG 12/14/20 DRAWING NO. 02160-7000  
APP'D O. ISAKSSON 12/14/20

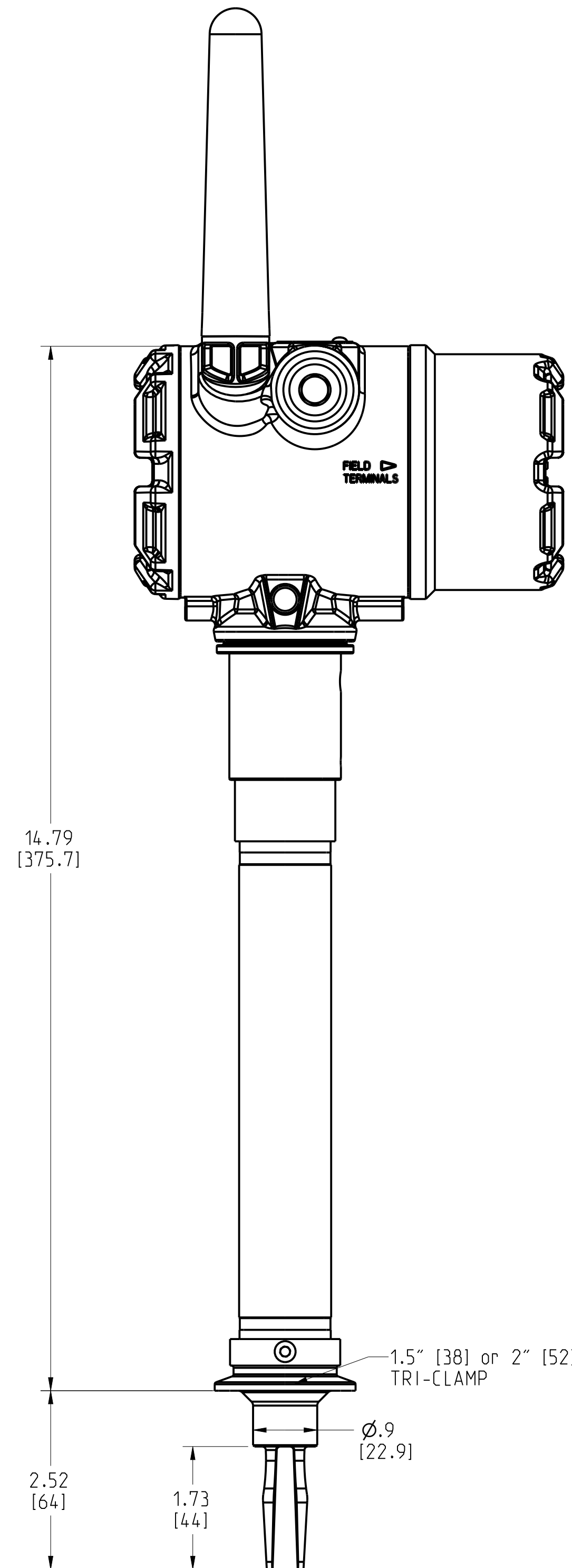
CAD MAINTAINED (PRO/E) SHEET 3 OF 6

# ROSEMOUNT 2160 WIRELESS VIBRATING FORK LIQUID LEVEL DETECTOR HIGH TEMP (TRI-CLAMP and BSPT)

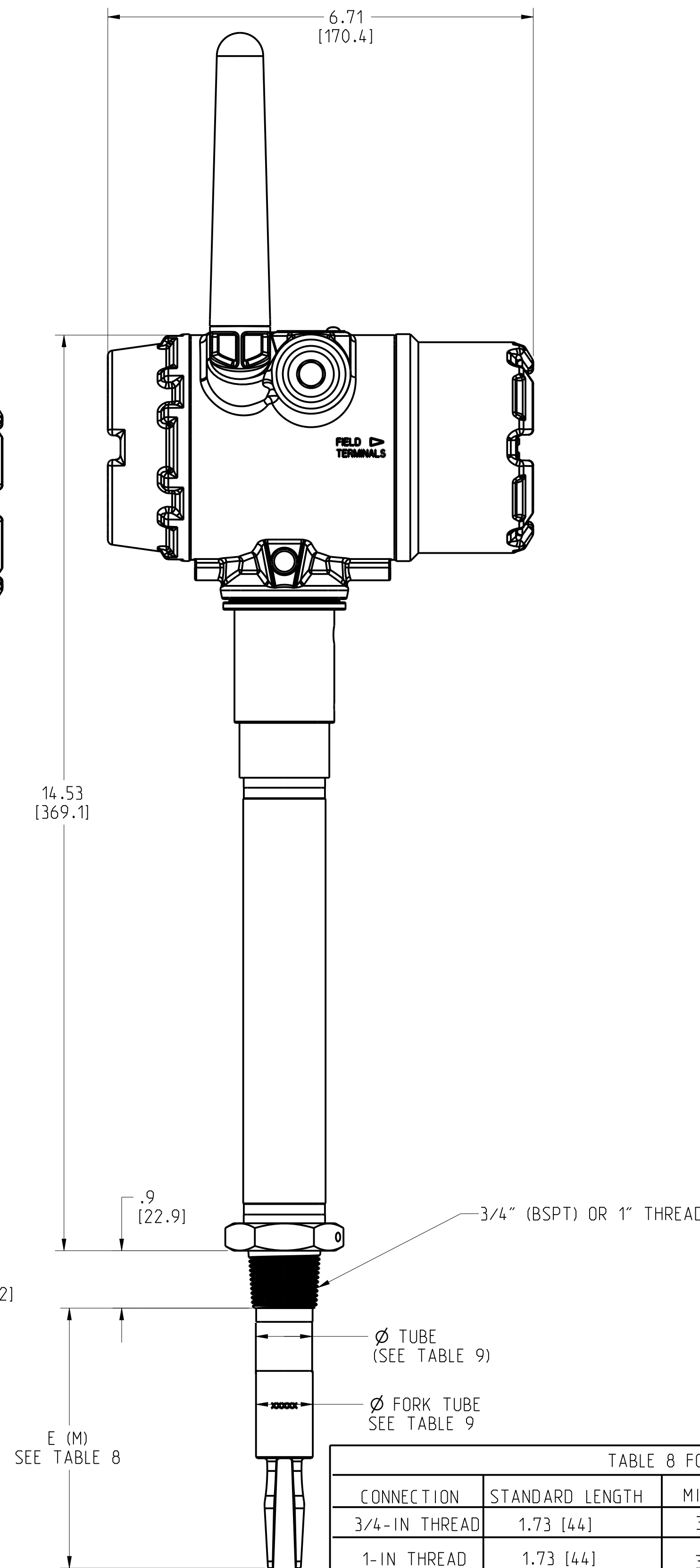
EXTENDED LENGTH WITH NO DISPLAY  
(TRI-CLAMP)



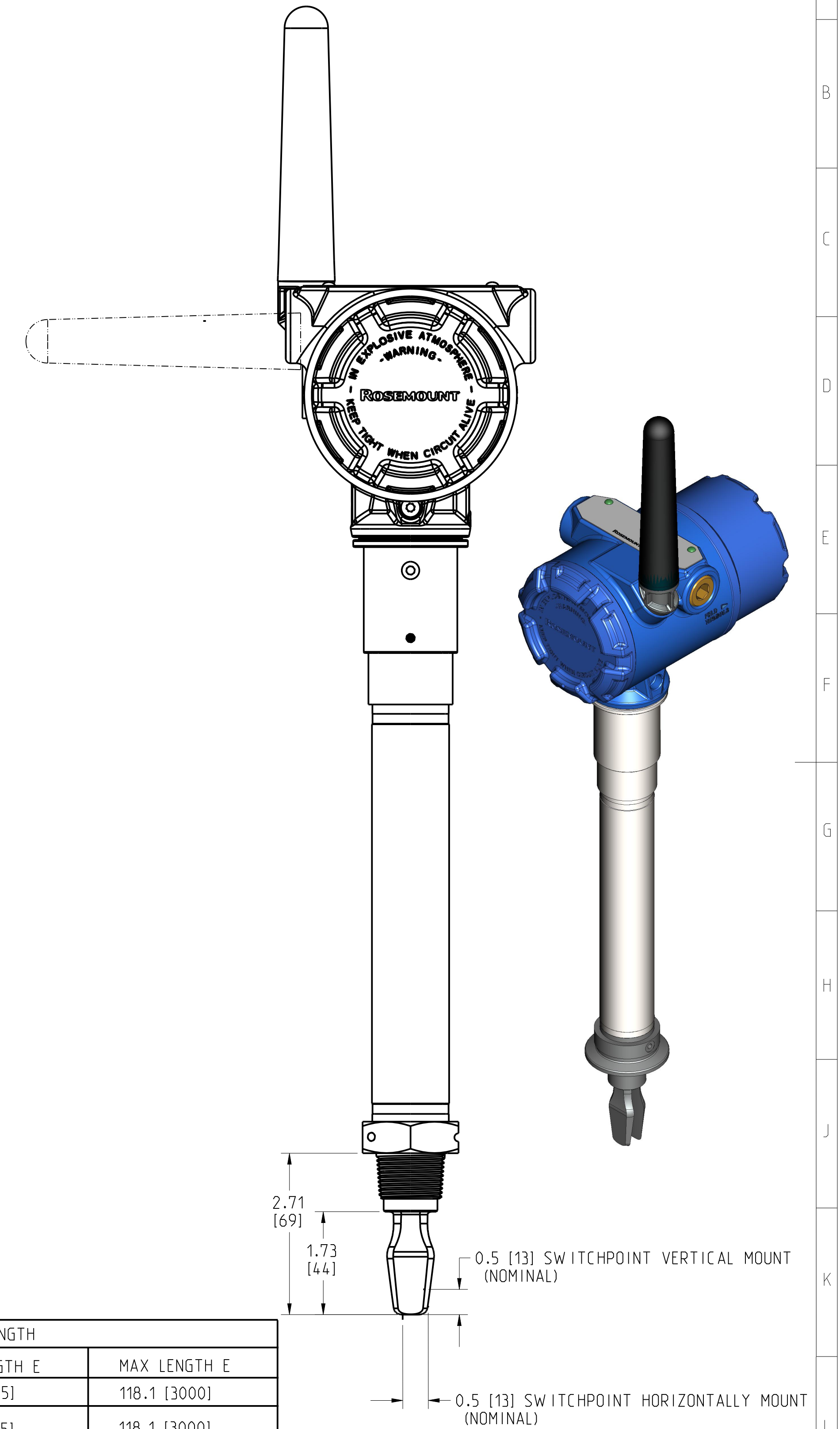
STANDARD LENGTH WITH NO DISPLAY  
(TRI-CLAMP)



EXTENDED LENGTH WITH DISPLAY  
(BSPT)



STANDARD LENGTH WITH DISPLAY  
(BSPT)



CONNECTION	STANDARD LENGTH	MIN LENGTH E	MAX LENGTH E
3/4-IN THREAD	1.73 [44]	3.75 [95]	118.1 [3000]
1-IN THREAD	1.73 [44]	3.75 [95]	118.1 [3000]

PROCESS CONNECTION TYPE	TUBE MATERIAL	EXT. TUBE MAX O/D	FORK TUBE MAX O/D	NOTE
Tri-Clamp, Surface Finish Codes 1 and 2	316/316L	1.13 [28.8]	1.11 [28.1]	Surface Finish Codes 1, see 1.
Tri-Clamp, Surface Finish Codes 3,4,7,8	316/316L	0.9 [22.8]	0.9 [22.75]	

1. Weld between extension tube and fork tube locally add up to 0.4 [1] to largest dia.

THREAD SIZE	TUBE MATERIAL	EXT TUBE MAX O/D	FORK TUBE MAX O/D	NOTE
3/4"	316/316L	.9 [22.8]	.9 [22.75]	1.
1" & 2"	316/316L	1.13 [28.8]	1.11 [28.1]	1.
3/4"	ALLOY C/C-276	.85 [21.6]	.9 [22.75]	1.
1"	ALLOY C/C-276	1.06 [26.9]	1.06 [26.8]	1.

1. Weld between extension tube and fork tube locally add up to 0.4 [1] to largest tube dia.

©2015 ROSEMOUNT INC. ROSEMOUNT INC. ACCEPTS RESPONSIBILITY FOR THE ACCURACY OF THIS PRODUCT SPECIFICATION. UNIT NOTES IN INCHES (mm).

REFERENCE ROSEMOUNT PRODUCT SPECIFICATIONS FOR PRODUCT SPECIFICATIONS. CLICK HERE

CAD MAINTAINED (PRO/E)

3RD ANGLE

EMERSON

ROSEMOUNT 2160 WIRELESS FORK TYPE I DRAWING

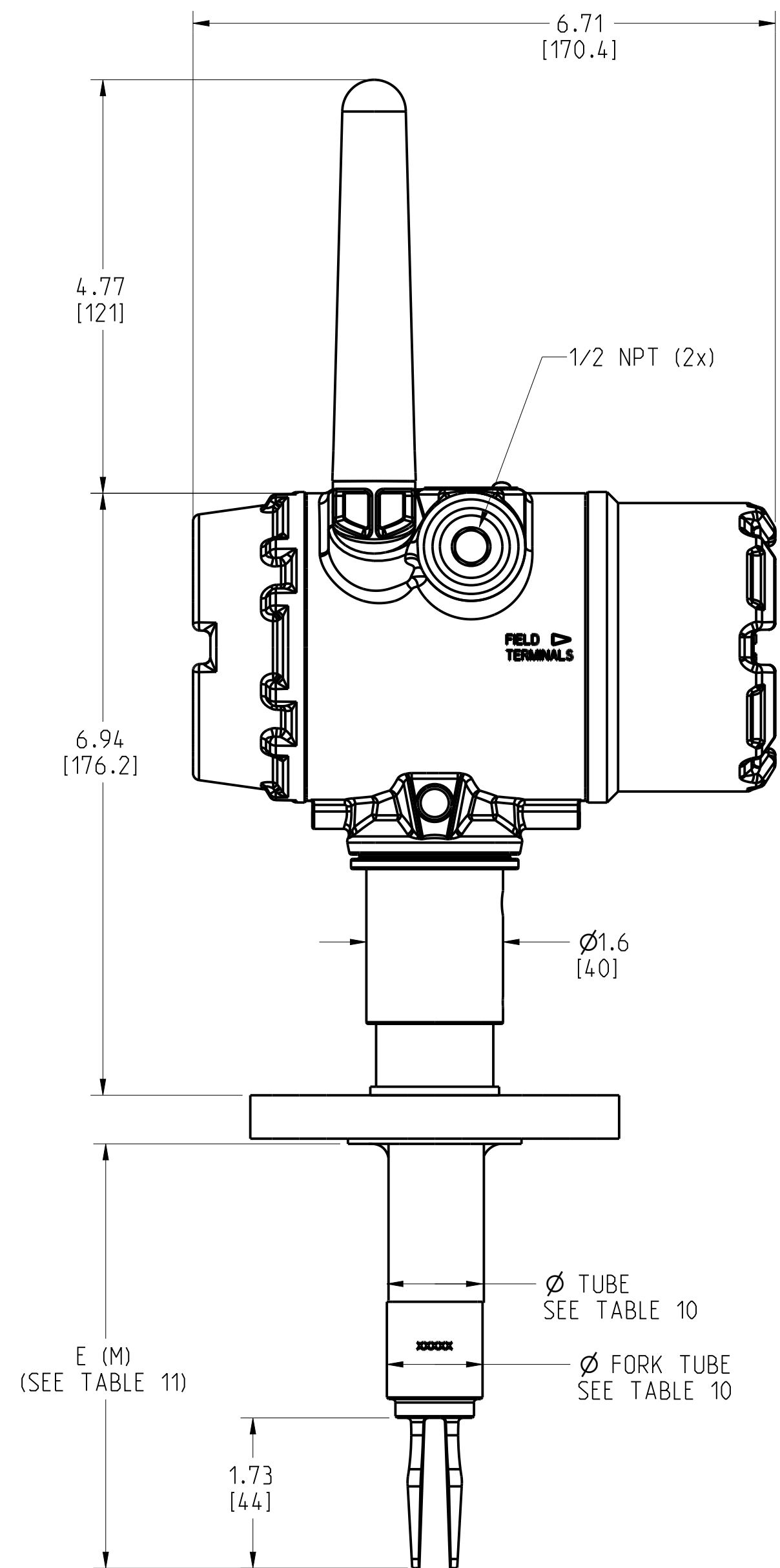
DR. J. ARMSTRONG 12/14/20 DRAWING NO. 02160-7000

APP'D O. ISAKSSON 12/14/20

SHEET 4 OF 6

# ROSEMOUNT 2160 WIRELESS VIBRATING FORK LIQUID LEVEL DETECTOR (FLANGE)

EXTENDED LENGTH WITH DISPLAY



STANDARD LENGTH WITH NO DISPLAY (ALUMINUM HOUSING)

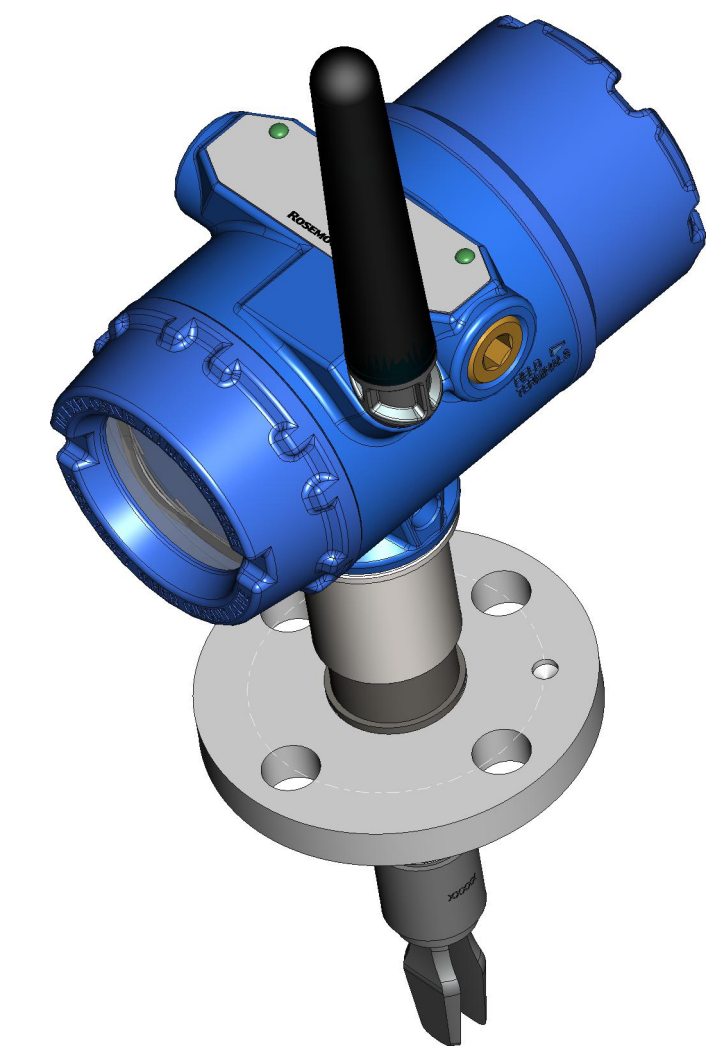
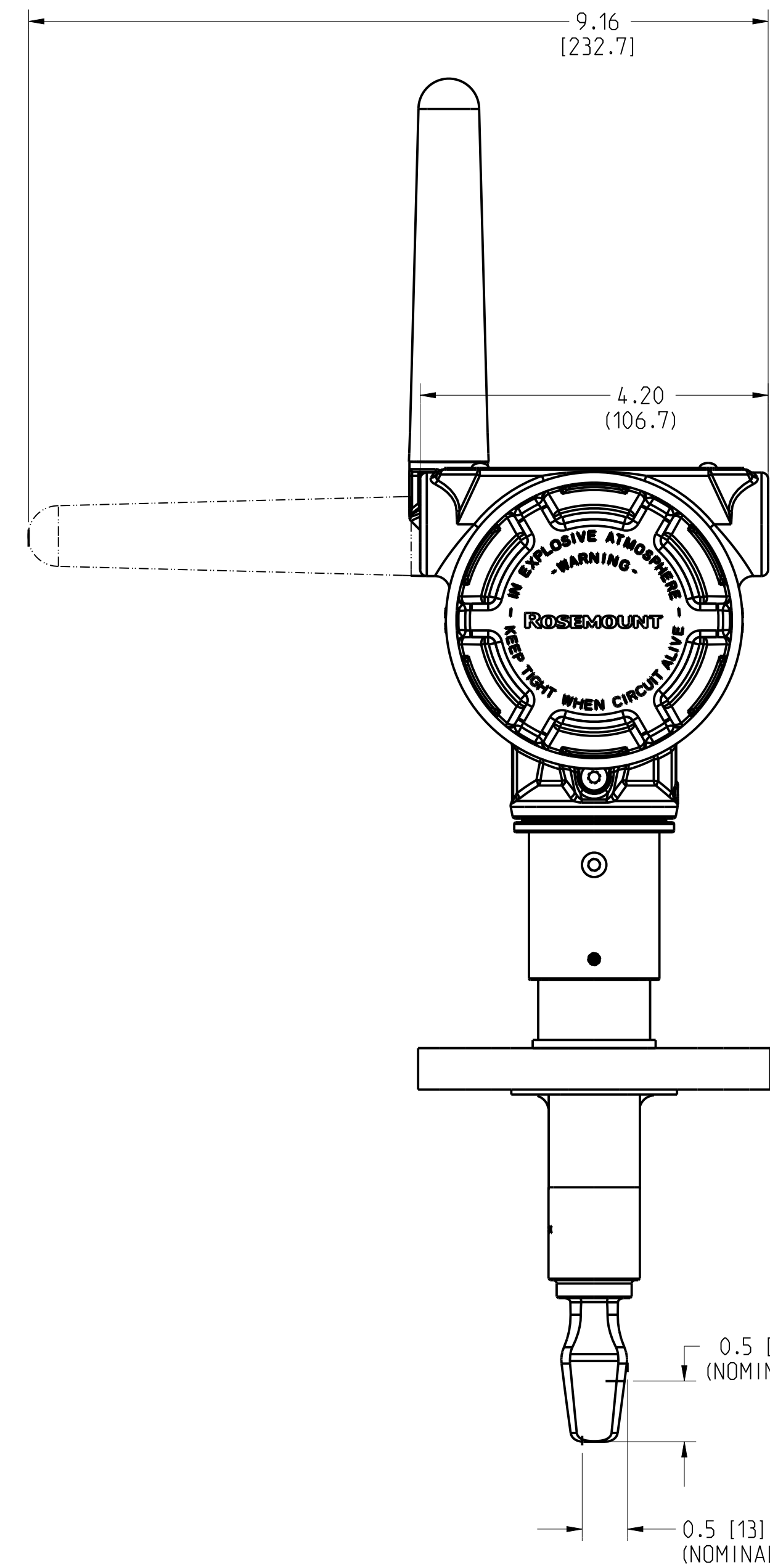
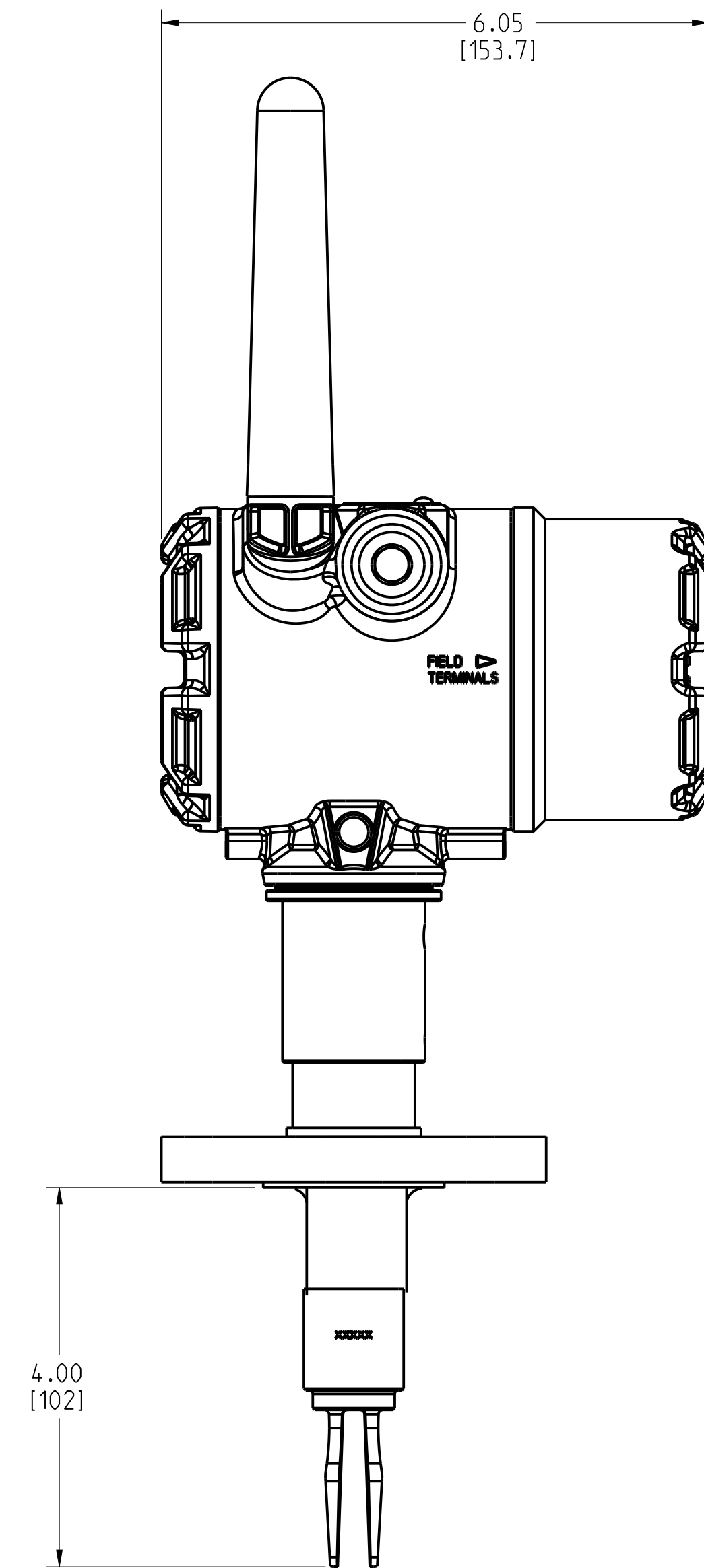


TABLE 10 FORK EXTENSION TUBE DIA.

FLANGE SIZE	TUBE MATERIAL	EXT. TUBE MAX O/D	EXT. TUBE O/D ECTFE COATED	FORK TUBE MAX O/D	FORK TUBE MAX O/D ECTFE COATED	
ASME 1", EN DN25 and JIS 25A	316/316L	.9 [22.8]	.95 [24]	.9 [22.75]	.94 [23.95]	See (1.) and (2.)
ASME 1 1/2", EN DN40, JIS 40A or LARGER	316/316L	1.13 [28.8]	1.18 [30]	1.11 [28.1]	1.15 [29.3]	See (1.)
ASME 1", EN DN25 and JIS 25A	ALLOY C/C-276	.85 [21.6]	.9 [22.8]	.9 [22.75]	.94 [23.95]	See (1.) and (2.)
ASME 1 1/2" EN DN40, JIS 40A or LARGER	ALLOY C/C-276	1.06 [26.9]	1.11 [28.1]	1.06 [26.8]	1.1 [28]	See (1.)

1. Weld between extension tube and fork tube locally add up to 0.4 [1] to largest dia.  
 2. If flange gasket with inner support ring is used. Contact product support.

TABLE 11 FORK LENGTH

MATERIAL	STANDARD LENGTH	MIN LENGTH E	MAX LENGTH E
SS 316/316L	4.00 [102]	3.50 [89]	157.5 [4000]
ALLOY C (UNS N10002) ALLOY 276 (UNS N10276)	4.00 [102]	3.50 [89]	157.5 [4000]

©2015 ROSEMOUNT, INC.  
 ROSEMOUNT INC. ACCEPTS  
 THIS ACCORDANCE WITH  
 ROSEMOUNT ENGINEERING  
 SPECIFICATIONS.  
 UNIT NOTES IN INCHES (mm).  
 REFERENCE ROSEMOUNT  
 PRODUCT SHEETS FOR  
 PRODUCT SPECIFICATIONS.  
 CLICK HERE

3RD ANGLE SIZE D SCALE NTS

**EMERSON**

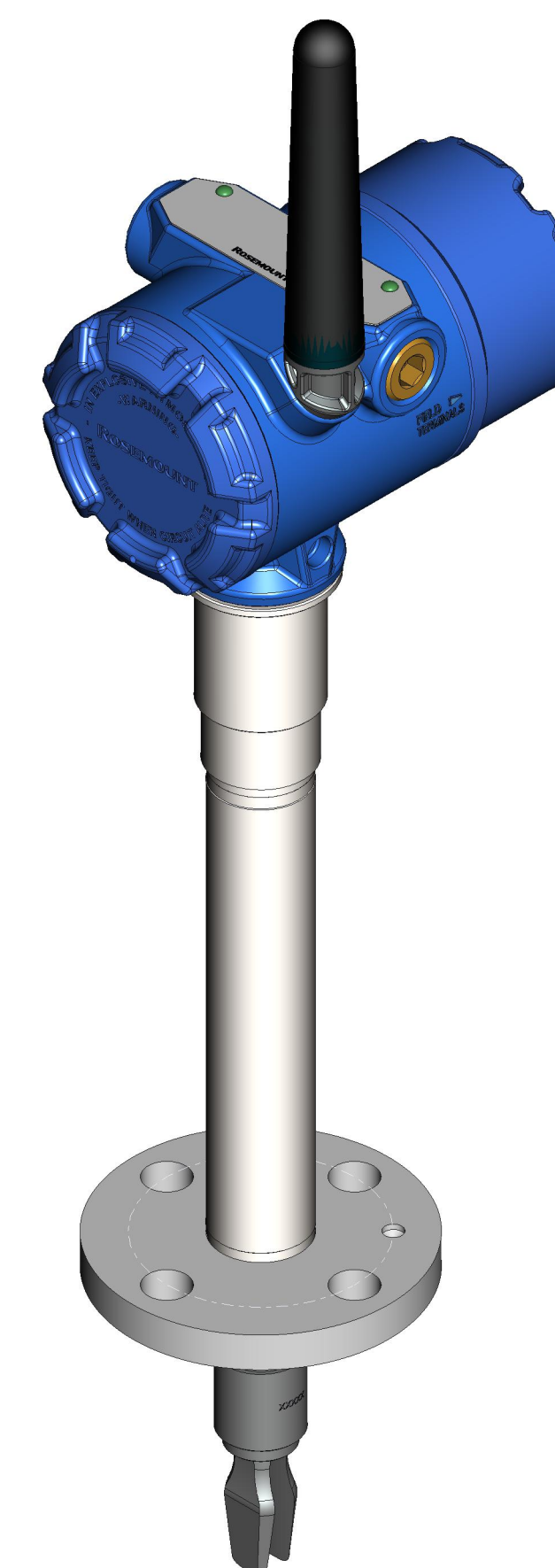
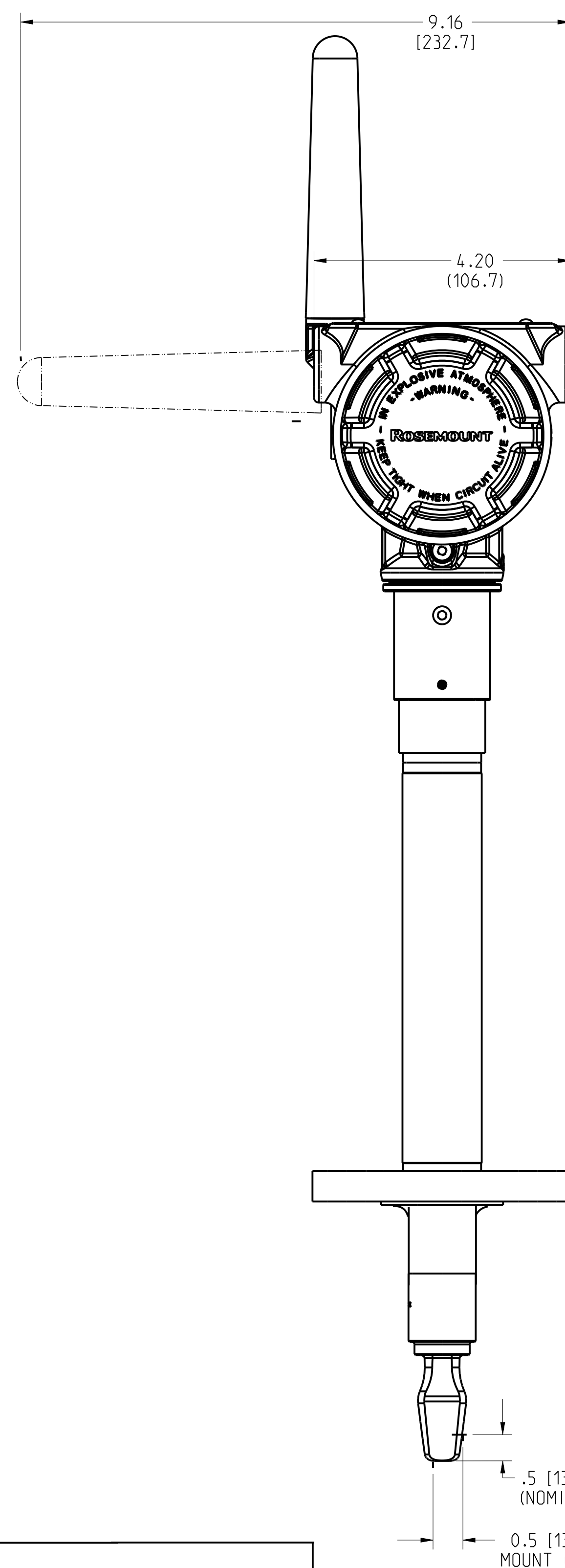
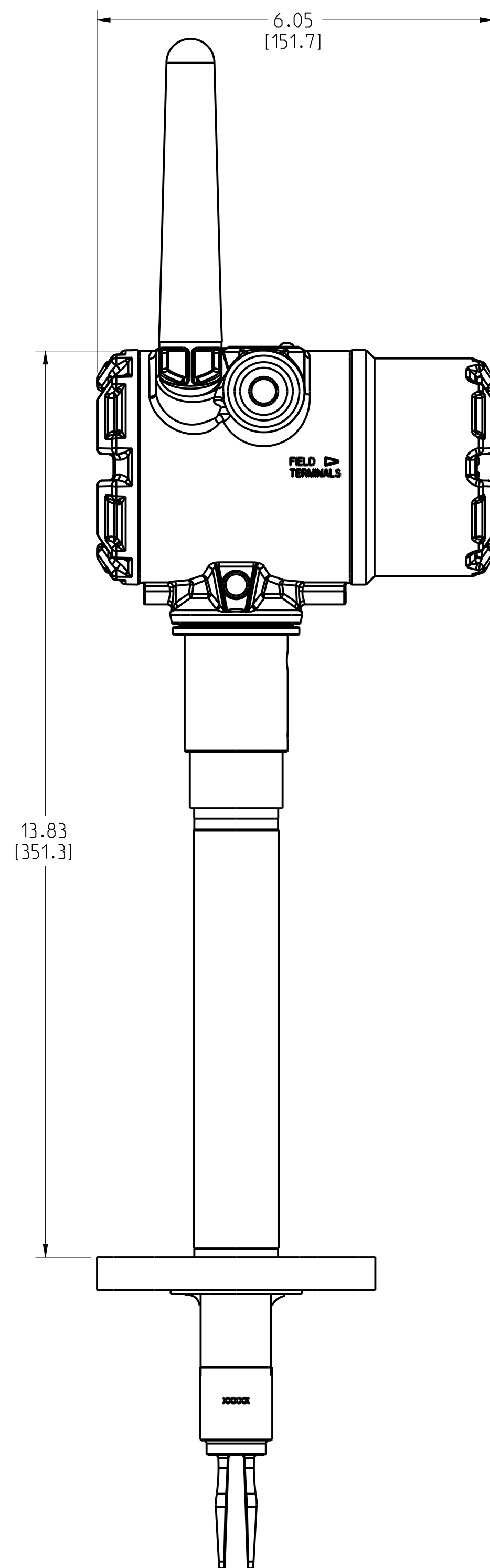
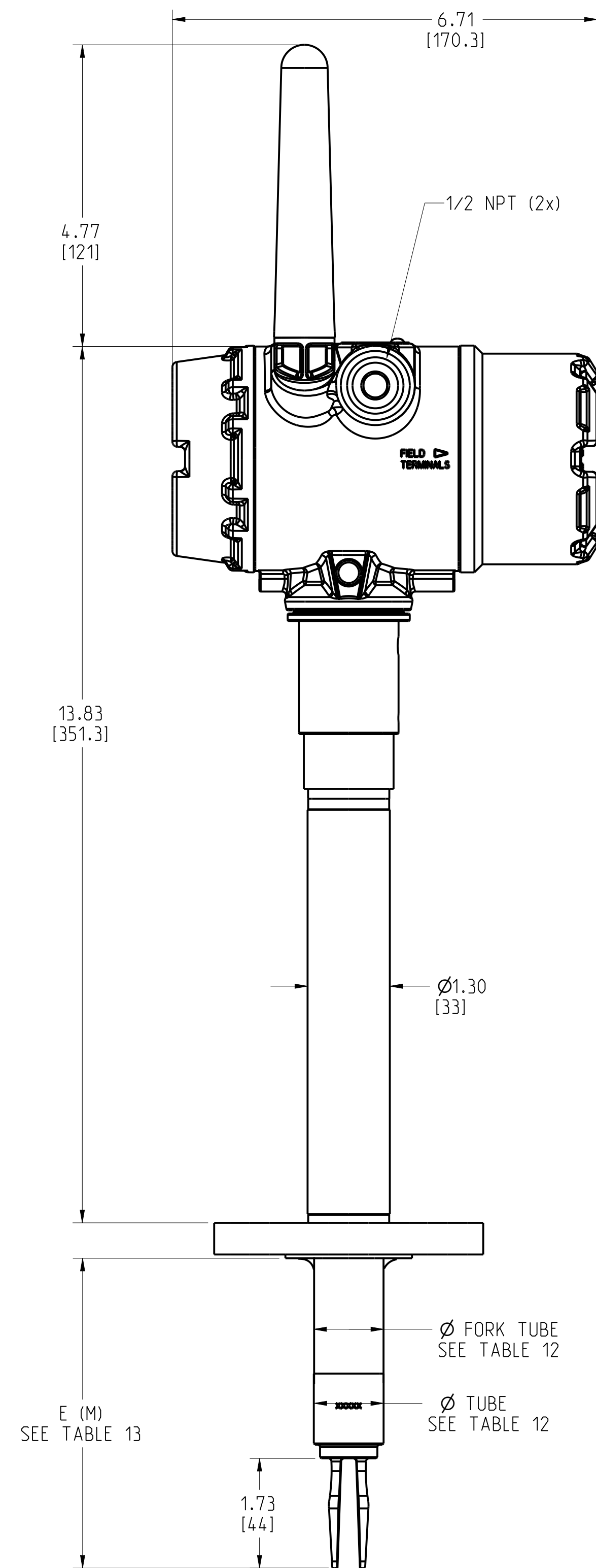
ROSEMOUNT 2160 WIRELESS FORK  
 TYPE I DRAWING

DR. J. ARMSTRONG 12/14/20 DRAWING NO. 02160-7000  
 APP'D O. ISAKSSON 12/14/20  
 CAD MAINTAINED (PRO/EI) SHEET 5 OF 6

# ROSEMOUNT 2160 WIRELESS VIBRATING FORK LIQUID LEVEL DETECTOR (HIGH TEMP) FLANGE

EXTENDED LENGTH WITH DISPLAY

STANDARD LENGTH WITH NO DISPLAY



MATERIAL	STANDARD LENGTH	MIN LENGTH E	MAX LENGTH E
SS 316/316L	4.00 [102]	3.50 [89]	157.5 [4000]
ALLOY C ALLOY 276	4.00 [102]	3.50 [89]	157.5 [4000]

TABLE 12 FORK EXTENSION TUBE DIA.

FLANGE SIZE	TUBE MATERIAL	EXT. TUBE MAX O/D	EXT. TUBE O/D ECTFE COATED	FORK TUBE MAX O/D	FORK TUBE MAX O/D ECTFE COATED	
ASME 1", EN DN25 and JIS 25A	316/316L	.9 [22.8]	.95 [24]	.9 [22.75]	.94 [23.95]	See 1. and 2.
ASME 1 1/2", EN DN40, JIS 40A or LARGER	316/316L	1.13 [28.8]	1.18 [30]	1.11 [28.1]	1.15 [29.3]	See 1. and 2.
ASME 1", EN DN25 and JIS 25A	ALLOY C/C-276	.85 [21.6]	.9 [22.8]	.9 [22.75]	.94 [23.95]	See 1. and 2.
ASME 1 1/2" EN DN40, JIS 40A or LARGER	ALLOY C/C-276	1.06 [26.9]	1.11 [28.1]	1.06 [26.8]	1.1 [28]	See 1.

- Weld between extension tube and fork tube locally add up to 0.4 [1] to largest dia.
- If flange gasket with inner support ring used, Contact product support.

©2015 ROSEMOUNT, INC.  
ROSEMOUNT INC. ACCEPTS  
THIS DRAWING AS IS. THE USER  
IS RESPONSIBLE FOR  
COMPLIANCE WITH  
ROSEMOUNT ENGINEERING  
SPECIFICATIONS.  
UNIT NOTES IN INCHES (mm).  
REFERENCE ROSEMOUNT  
PRODUCT SUPPORT FOR  
PRODUCT SPECIFICATIONS.  
CLICK HERE

3RD ANGLE SIZE D SCALE NTS

**EMERSON**

ROSEMOUNT 2160 WIRELESS FORK  
TYPE I DRAWING

DR. J. ARMSTRONG 12/14/20 DRAWING NO. 02160-7000  
APP'D O. ISAKSSON 12/14/20

CAD MAINTAINED (PRO/E) SHEET 6 OF 6