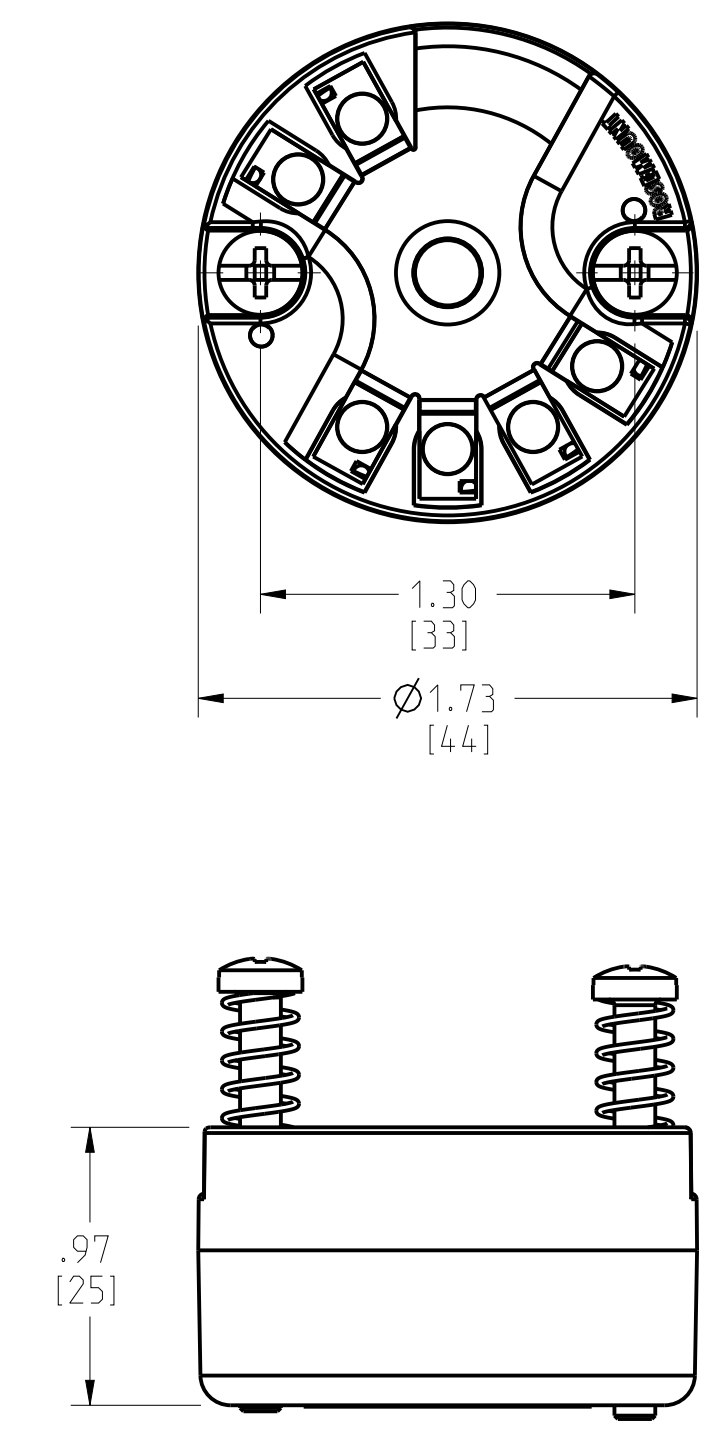
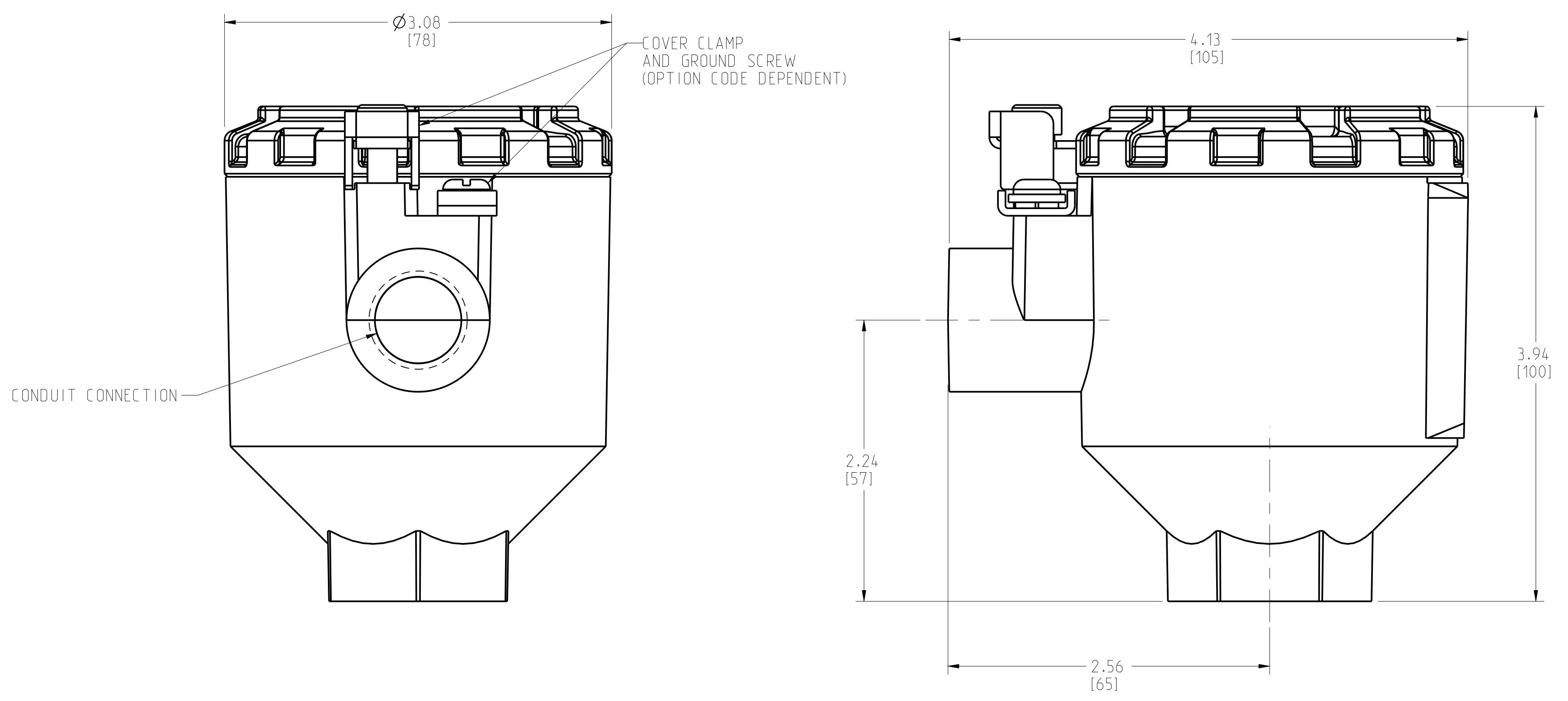


ROSEMOUNT 248 TEMPERATURE TRANSMITTER CONNECTION HEAD ENCLOSURE

REVISION TABLE			
REVISION	ECO NO.	APP'D	DATE
AD	RTC1056505	JR	3/15/13
DESCRIPTION			
CONVERT TO PRO/E			

SHOWN WITH ENCLOSURE

SHOWN WITHOUT ENCLOSURE



- NOTES:
- .75 [19] CLEARANCE REQUIRED TO REMOVE COVER.
 - ROSEMOUNT INC. CERTIFIES THESE DRAWINGS ARE IN ACCORDANCE WITH ROSEMOUNT ENGINEERING SPECIFICATIONS AND ACCURATELY REPRESENT THE EQUIPMENT FURNISHED.

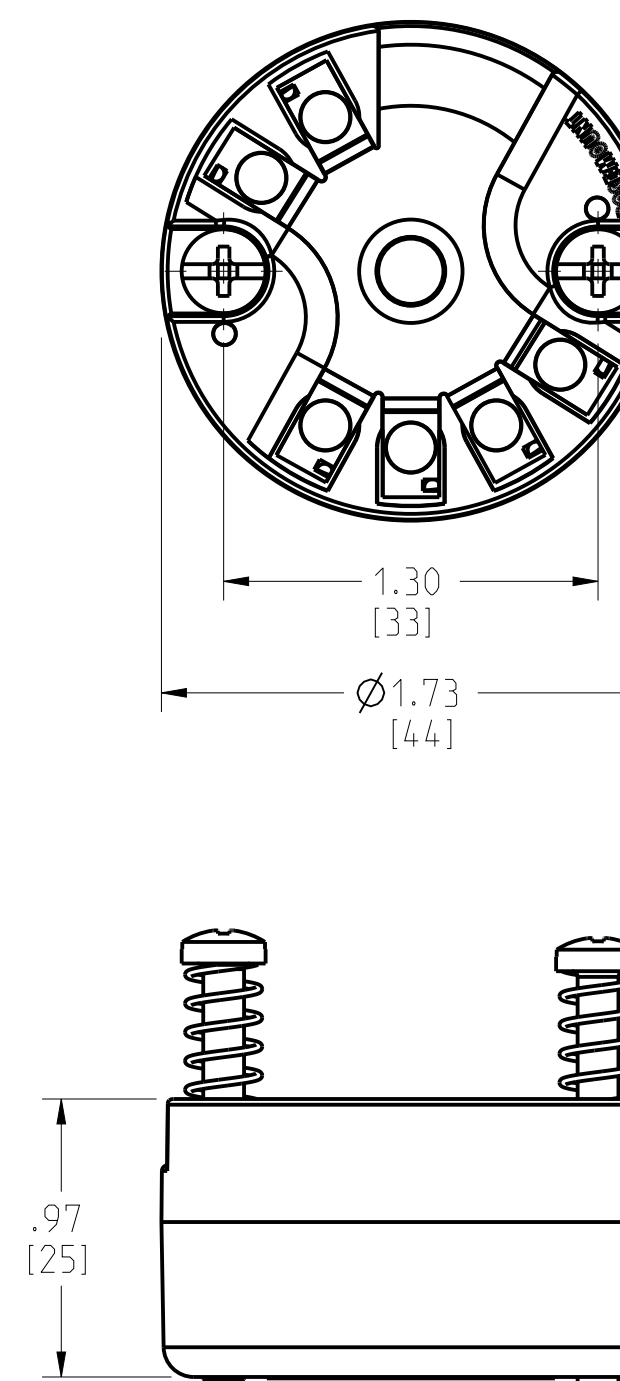
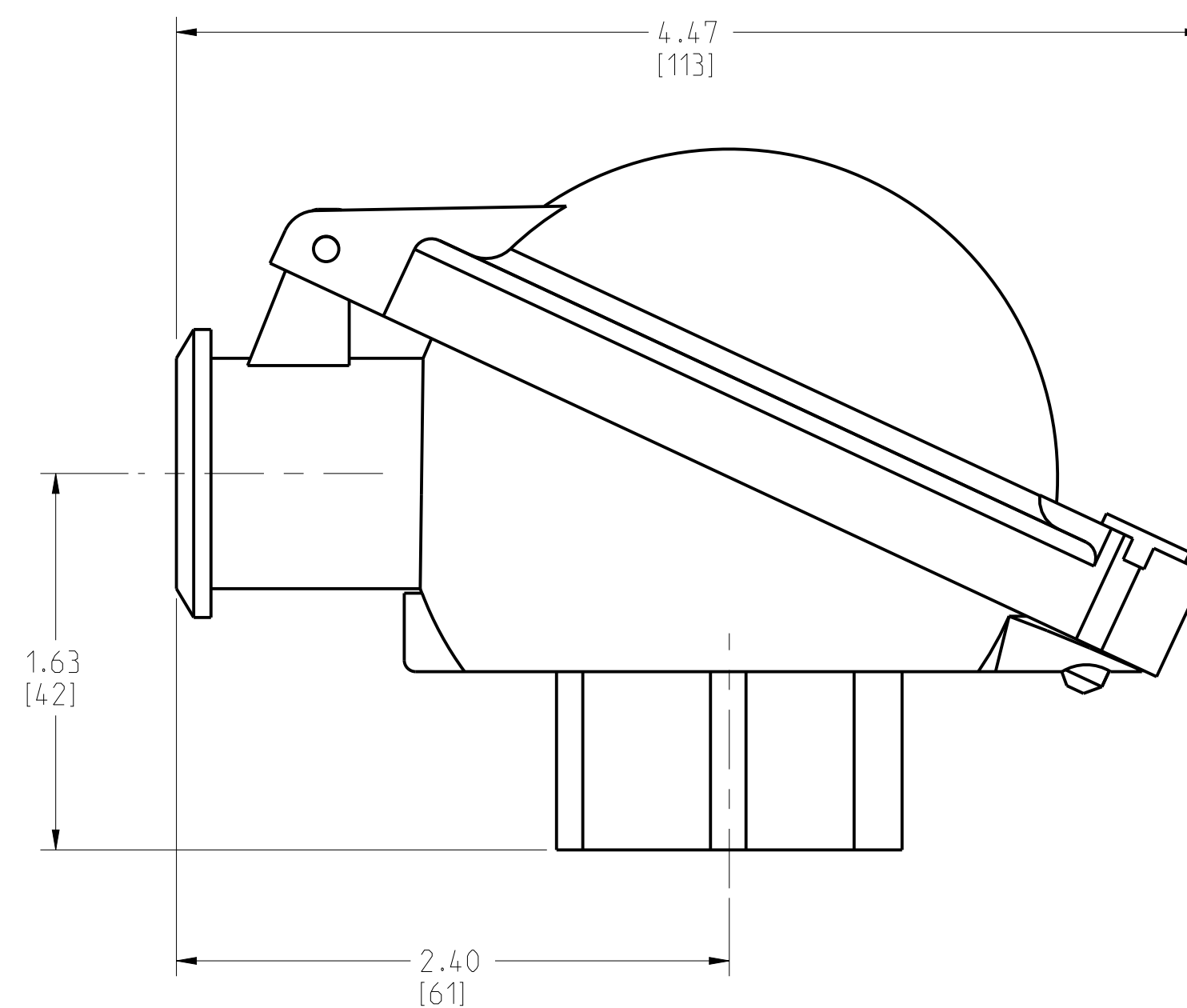
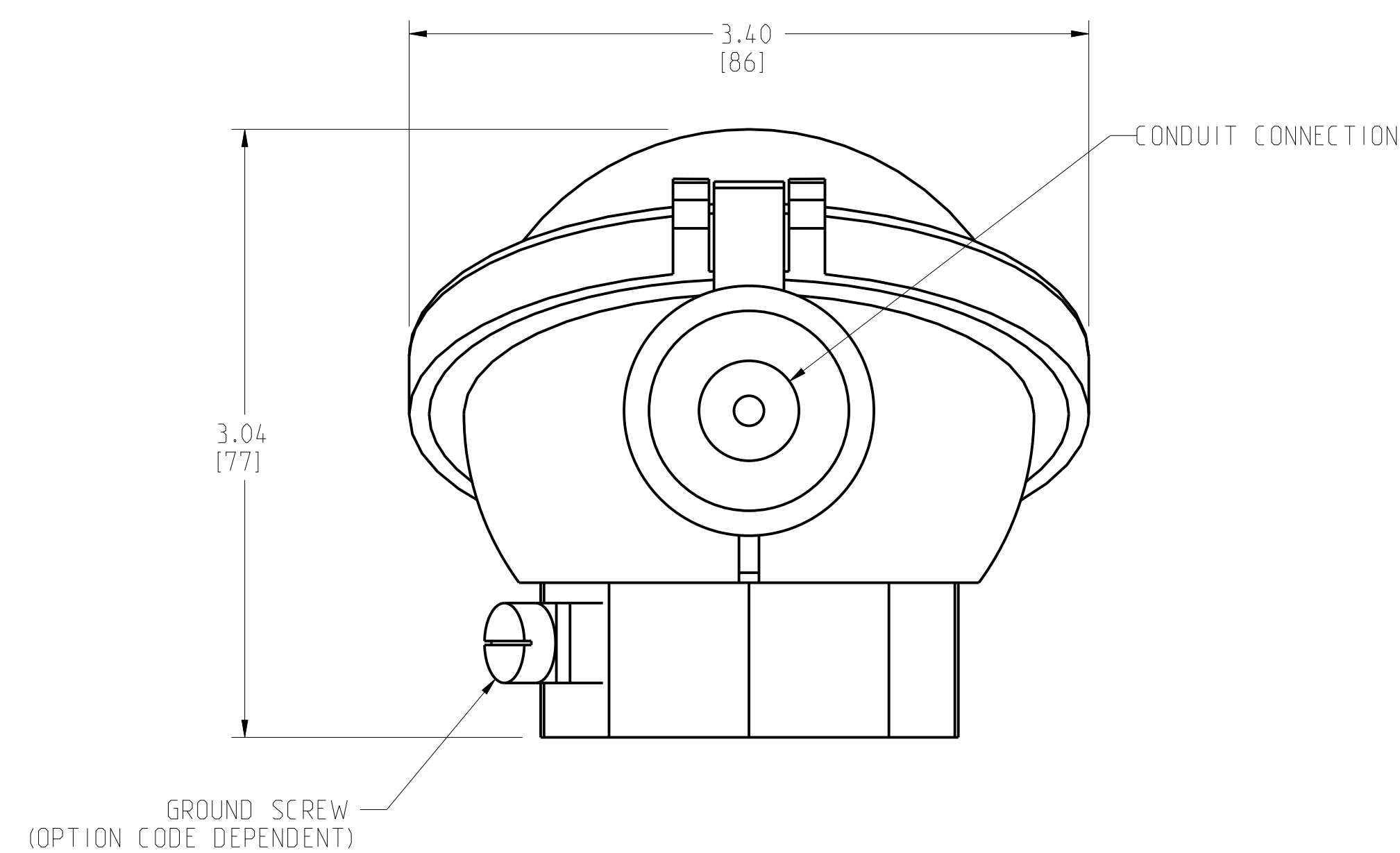
<small>UNLESS OTHERWISE SPECIFIED CONVERSIONS AND DIMENSIONS ARE IN INCHES AND DECIMALS THEREOF. INFORMATION IS CONTAINED HEREIN AND MUST BE HANDLED ACCORDINGLY. EMERSON</small>	CUSTOMER	...	3RD ANGLE	SIZE	SCALE	REV
	CUSTOMER DWG NO.	...		D	3/2	AD
	P.O. No.	...				
	S.O. No.	...	TITLE ROSEMOUNT 248 TEMPERATURE TRANSMITTER			
PROJECT NAME	DR. JLA 3/15/13	DRAWING NO.				
APP'D JR 3/15/13	...	00248-1002				
DO NOT SCALE PRINT CAD MAINTAINED. (PRO/E) PRODUCT CODE - DOC TYPE - SHEET 1 OF 5						

DRAWING NO. 00248-1002 TAG NO. CAL.

ROSEMOUNT 248 TEMPERATURE TRANSMITTER BUZ HEAD ENCLOSURE

SHOWN WITH ENCLOSURE

SHOWN WITHOUT ENCLOSURE

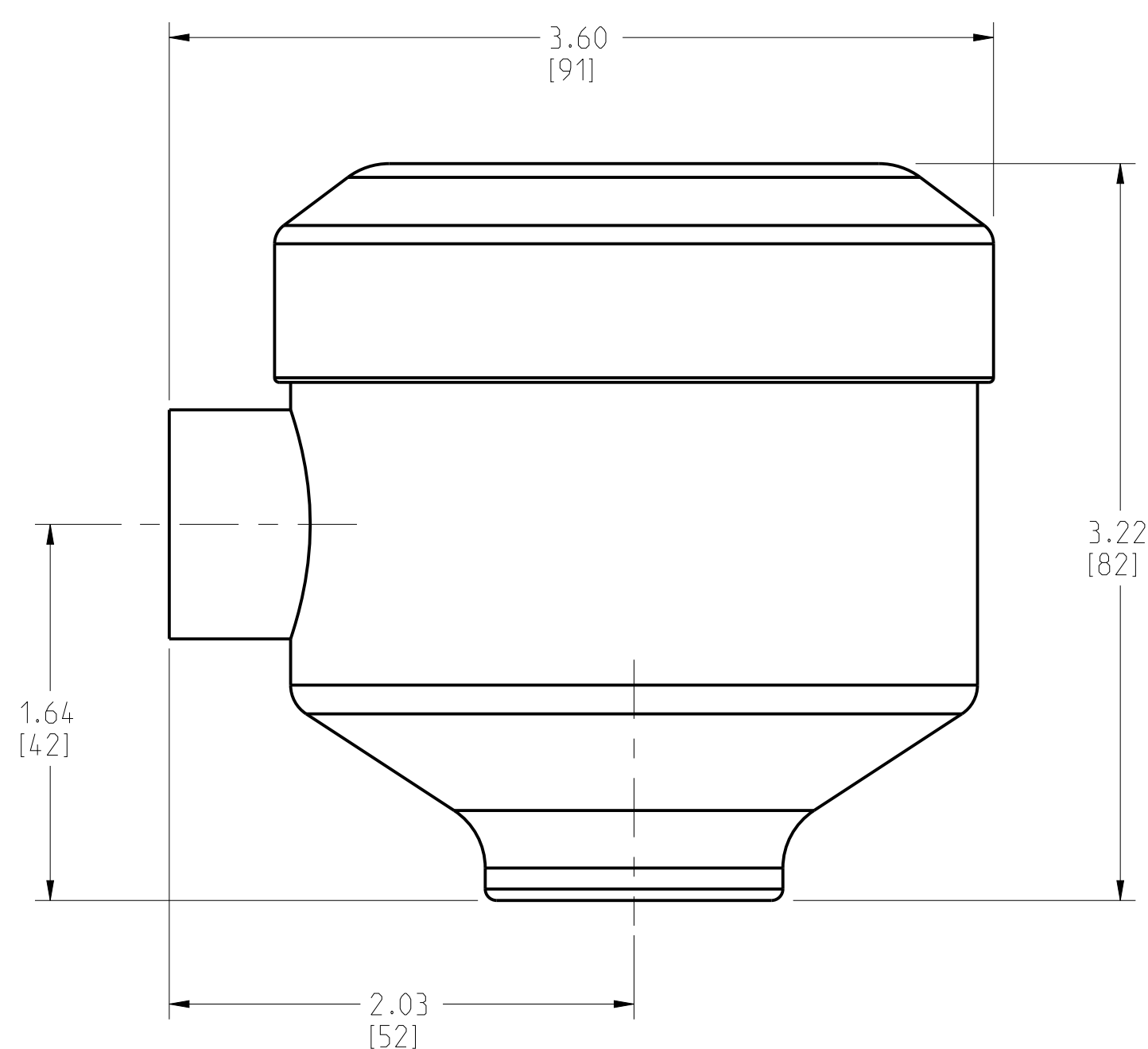
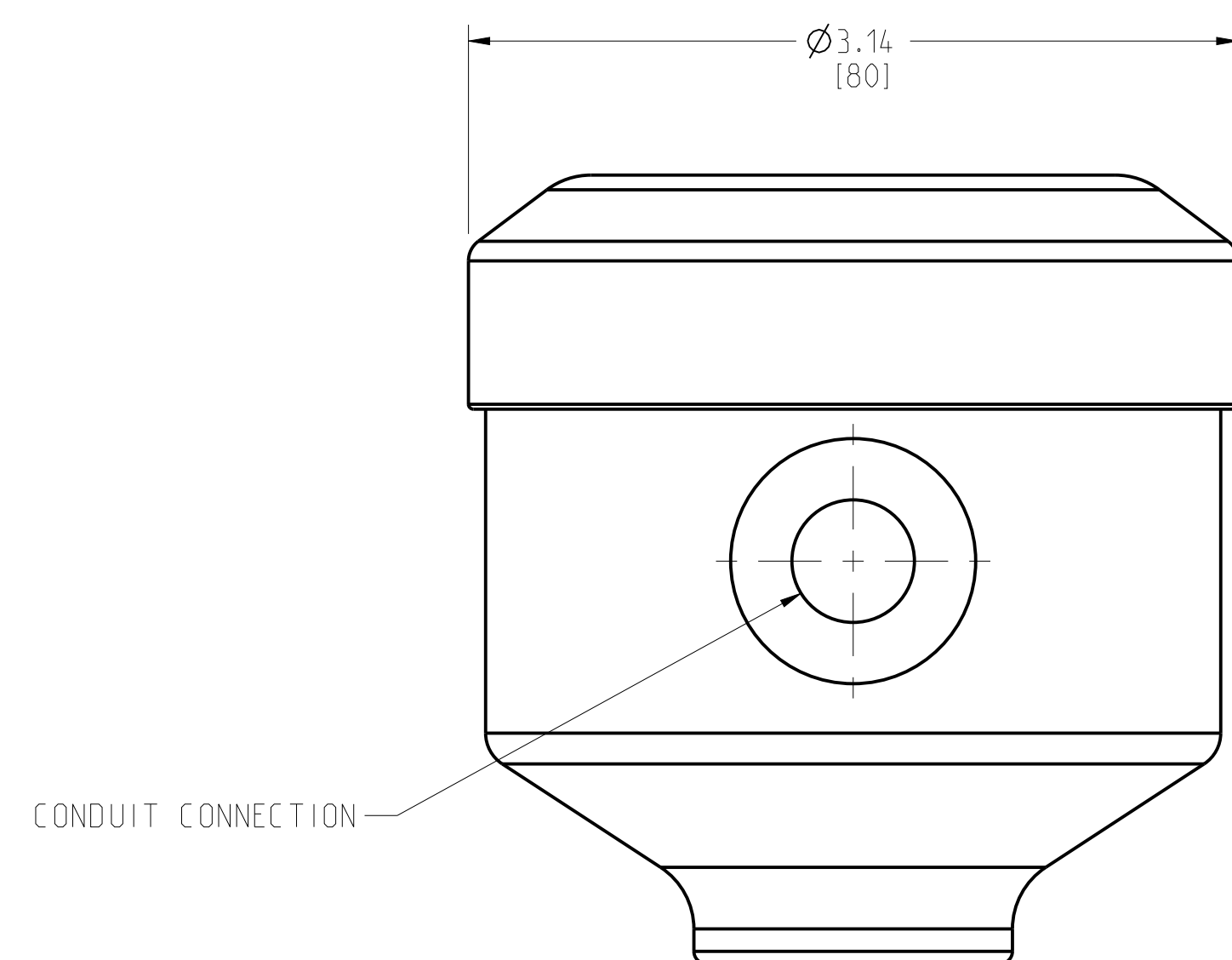


<small>UNLESS OTHERWISE SPECIFIED DIMENSIONS AND UNITS ARE IN INCHES AND POUNDS PER SQUARE INFORMATION IS CONTAINED HEREIN AND MUST BE HANDLED ACCORDINGLY. EMERSON</small>	CUSTOMER	...	3RD ANGLE	SIZE	SCALE	REV	
	CUSTOMER DWG NO.	...		D	3/2	AD	
	P.O. No.	...					
	S.O. No.	...	TITLE ROSEMOUNT 248 TEMPERATURE TRANSMITTER				
	PROJECT NAME	...	DR.	JLA	3/15/13	DRAWING NO.	00248-1002
DO NOT SCALE PRINT		CAD MAINTAINED. (PRO/E)	PRODUCT CODE	-	DOC TYPE	-	SHEET 2 OF 5

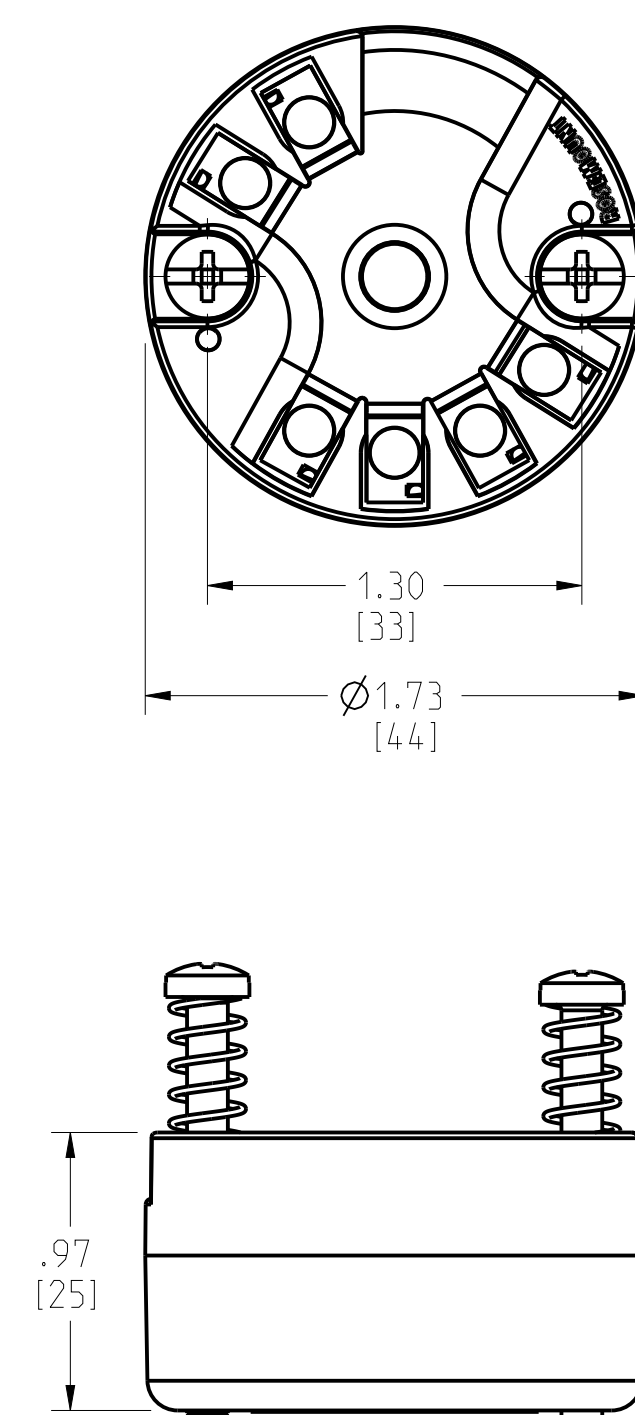
DRAWING NO. 00248-1002 TAG NO. CAL.

ROSEMOUNT 248 TEMPERATURE TRANSMITTER SANITARY CONNECTION HEAD ENCLOSURE

SHOWN WITH ENCLOSURE



SHOWN WITHOUT ENCLOSURE

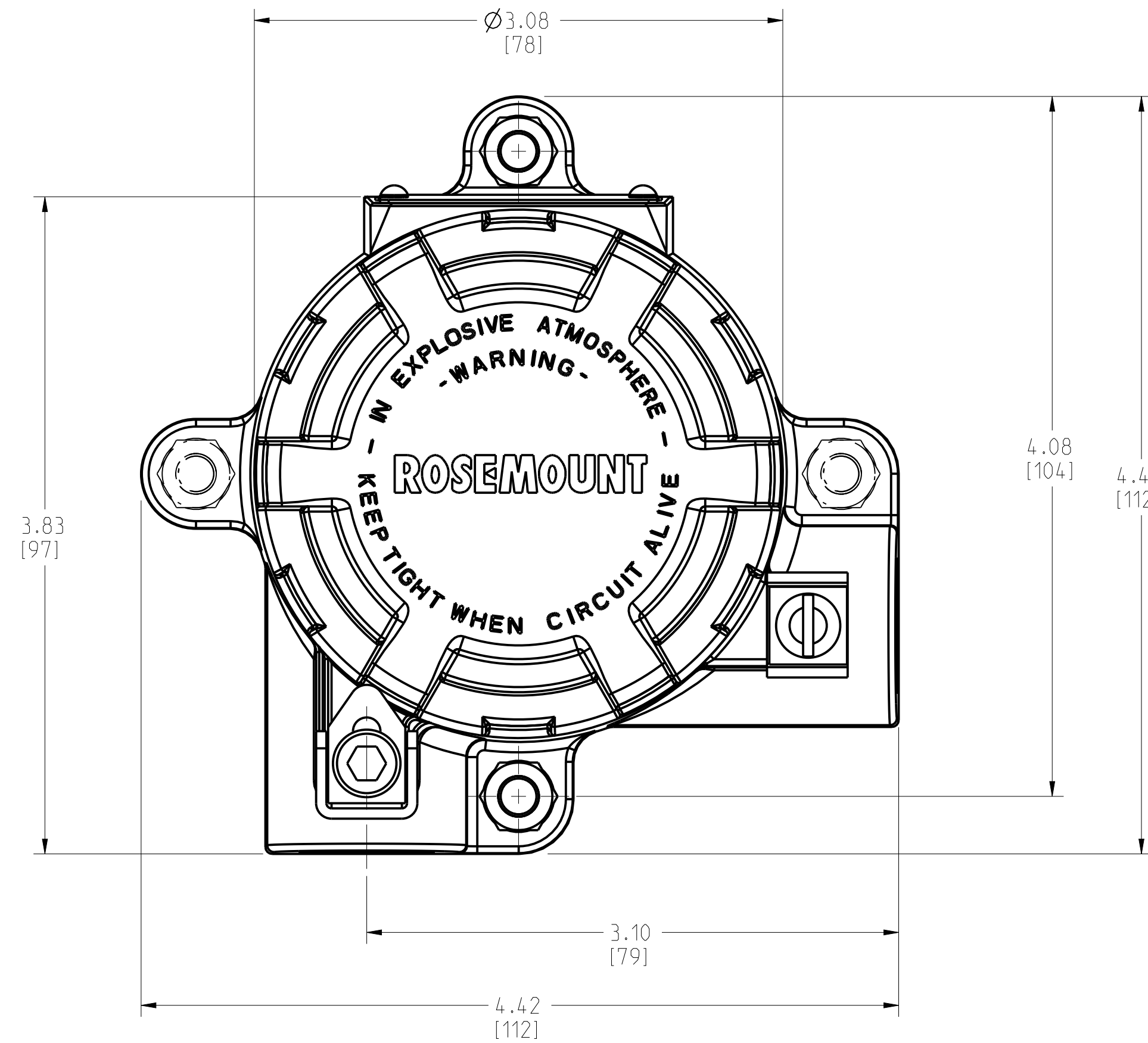
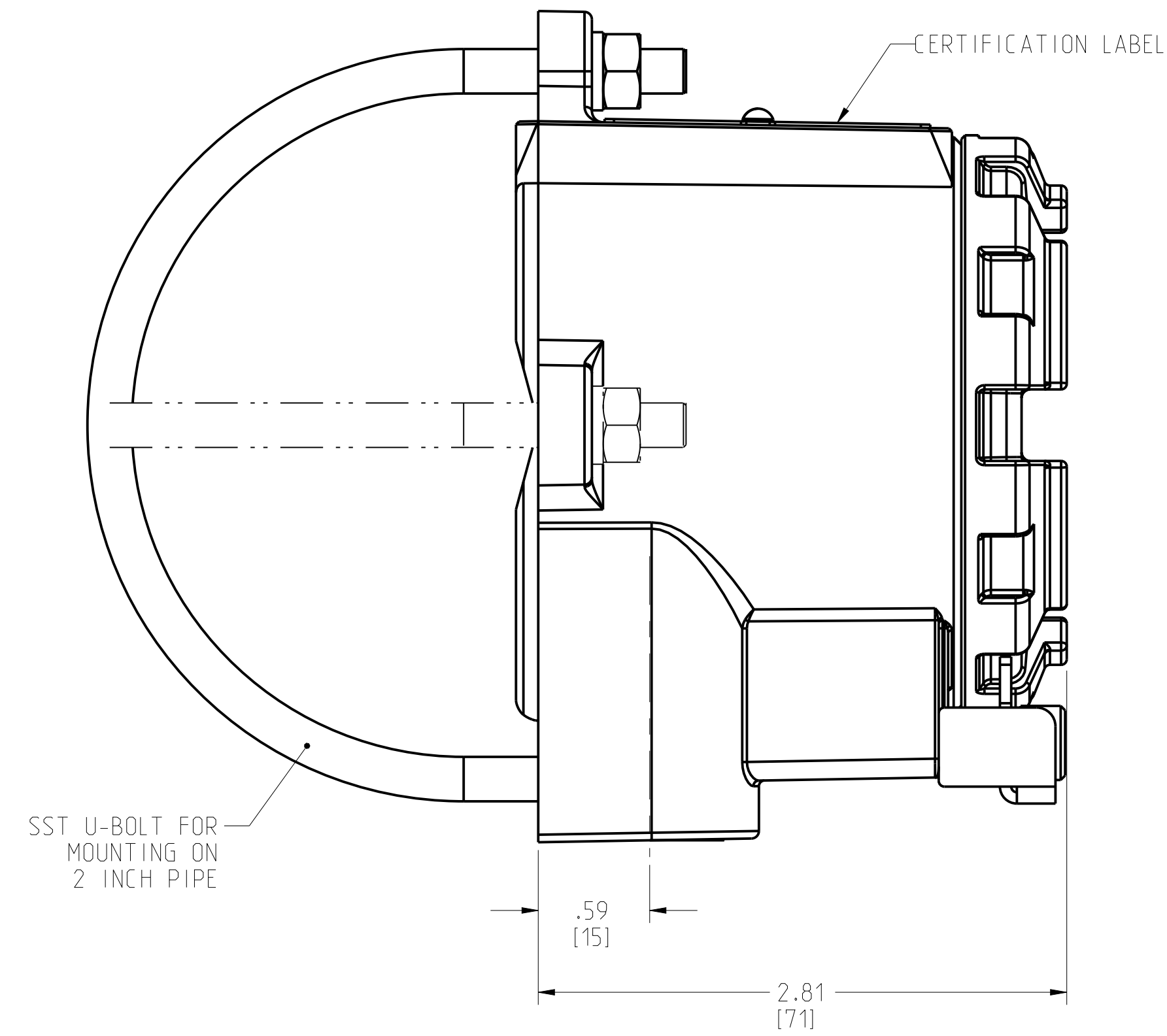


<small>UNLESS OTHERWISE SPECIFIED CONNECTIONS AND DIMENSIONS INFORMATION IS CONTAINED HEREIN AND MUST BE HANDLED ACCORDINGLY. EMERSON</small>	CUSTOMER	...	3RD ANGLE	SIZE	SCALE	REV	
	CUSTOMER DWG NO.	...		D	3/2	AD	
	P.O. No.	...	EMERSON Process Management ROSEMOUNT®				
	S.O. No.	...	TITLE ROSEMOUNT 248 TEMPERATURE TRANSMITTER				
	PROJECT NAME	...	DR.	JLA	3/15/13	DRAWING NO.	00248-1002
DO NOT SCALE PRINT		CAD MAINTAINED. (PRO/E)	PRODUCT CODE	-	DOC TYPE	-	SHEET 3 OF 5

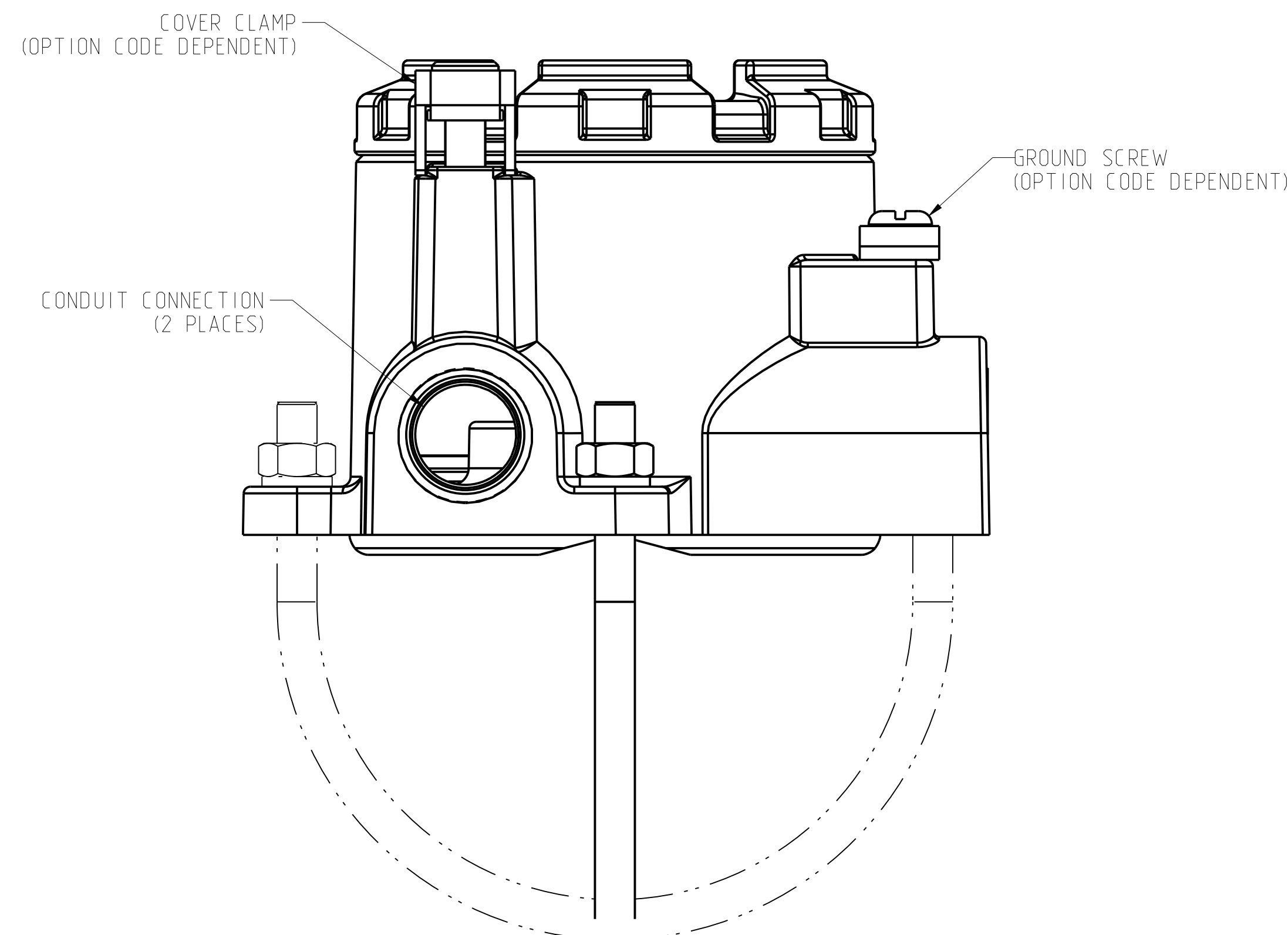
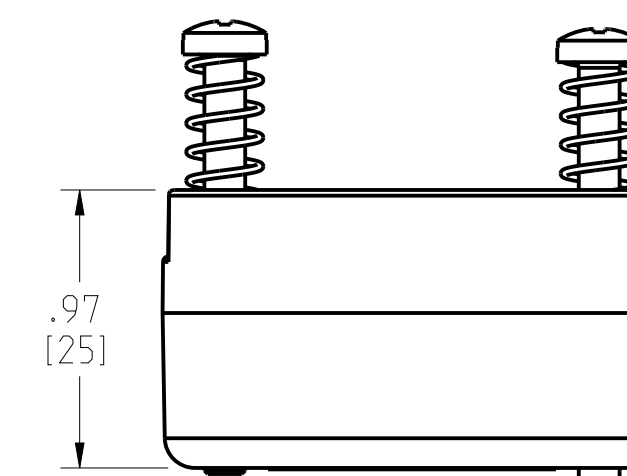
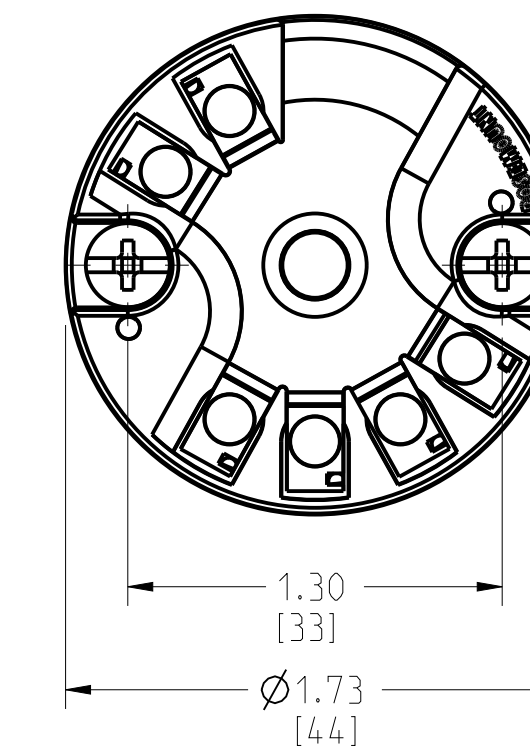
DRAWING NO. 00248-1002
TAG NO. CAL.

ROSEMOUNT 248 TEMPERATURE TRANSMITTER UNIVERSAL HEAD ENCLOSURE

SHOWN WITH ENCLOSURE



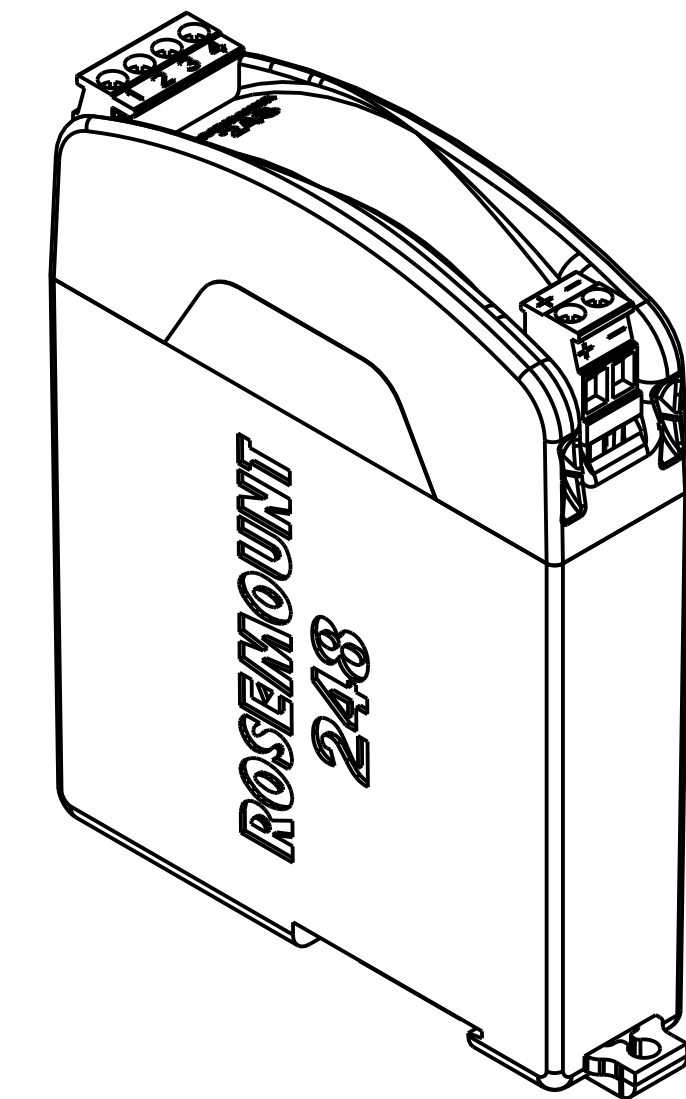
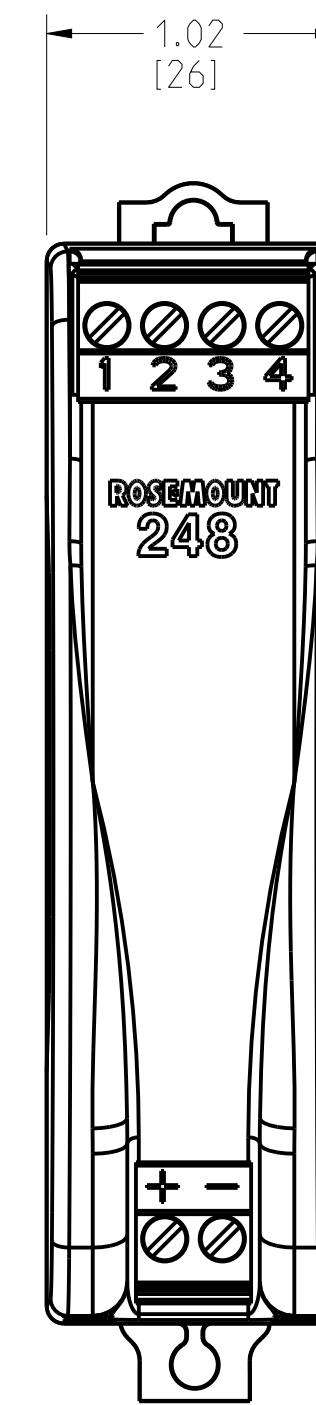
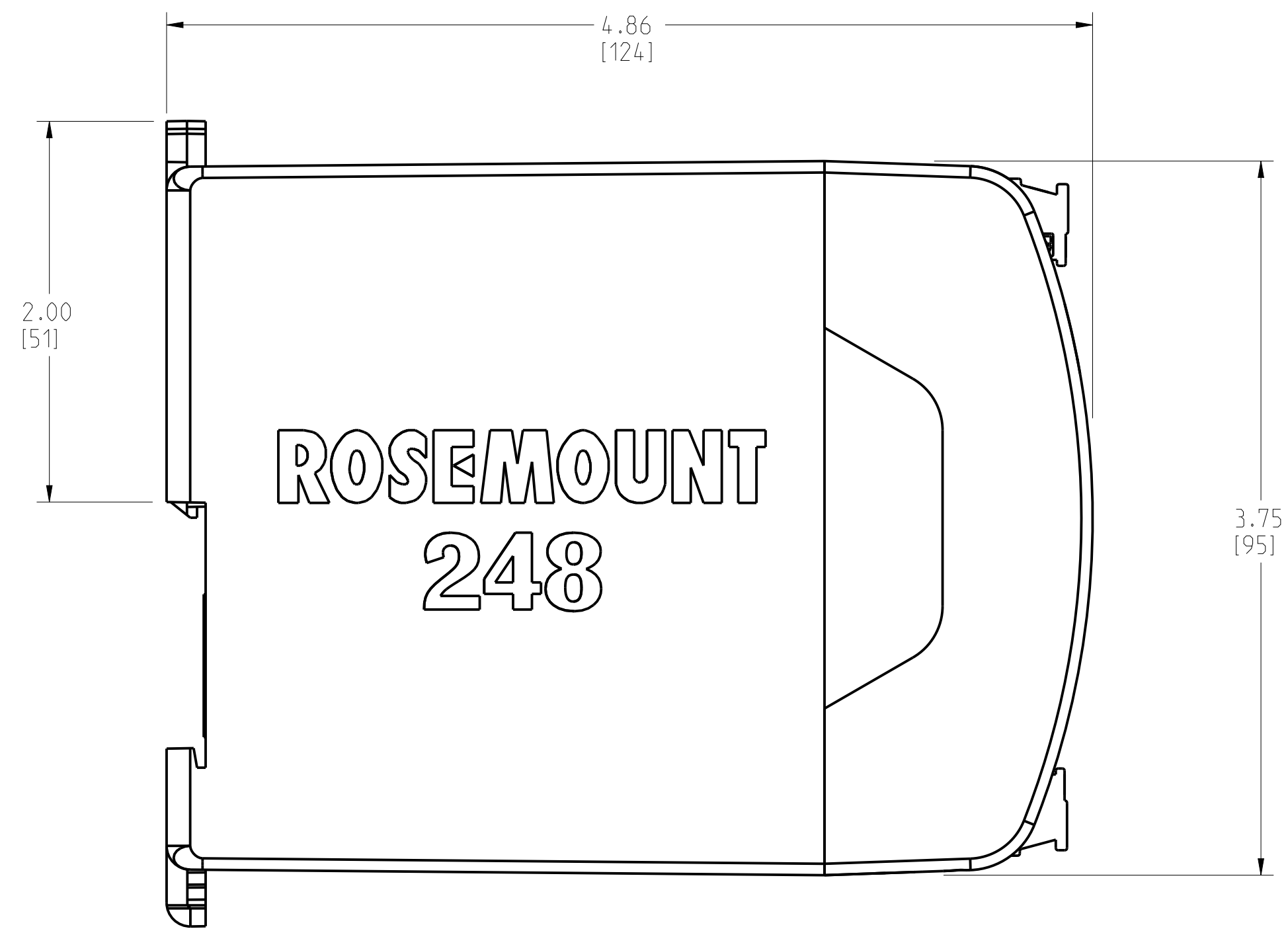
SHOWN WITHOUT ENCLOSURE



UNLESS OTHERWISE SPECIFIED DIMENSIONS AND TOLERANCES ARE IN INCHES AND DECIMALS THEREOF. INFORMATION IS CONTAINED HEREIN AND MUST BE HANDLED ACCORDING TO EMERSON	CUSTOMER	...	3RD ANGLE	SIZE	SCALE	REV
	CUSTOMER DWG NO.	...	D	3/2	AD	
INFORMATION WITHIN THIS DOCUMENT IS UNCLASSIFIED UNLESS INDICATED OTHERWISE BY A NOTICE. NOT INTENDED FOR ENGINEERING USE. REFERENCE TO THIS DOCUMENT FOR ENGINEERING PURPOSES IS NOT AUTHORIZED.	P.O. No.	...				
	S.O. No.	...				
	PROJECT NAME	DR. JLA 3/15/13	ROSEMOUNT 248 TEMPERATURE TRANSMITTER			
	APP'D	JR 3/15/13	DRAWING NO. 00248-1002			
	DO NOT SCALE PRINT CAD MAINTAINED. (PRO/E) PRODUCT CODE		- DOC TYPE - SHEET 4 OF 5			

DRAWING NO. 00248-1002

ROSEMOUNT 248R RAILMOUNT TRANSMITTER



<small>UNLESS OTHERWISE SPECIFIED CONVERSIONS AND DIMENSIONS IN PARENTHESES ARE IN MILLIMETERS. INFORMATION IS CONTAINED HEREIN AND MUST BE HANDLED ACCORDINGLY. EMERSON</small>	CUSTOMER	...	3RD ANGLE		SIZE	D	SCALE	3/2	REV	AD
	CUSTOMER DWG NO.	...								
	P.O. No.	...	TITLE ROSEMOUNT 248 TEMPERATURE TRANSMITTER							
	S.O. No.	...								
PROJECT NAME	DR.	JLA	3/15/13	DRAWING NO.						
APP'D	JR	3/15/13	00248-1002							
DO NOT SCALE PRINT CAD MAINTAINED. (PRO/E) PRODUCT CODE - DOC TYPE - SHEET 5 OF 5										

DRAWING NO. 00248-1002 TAG NO. CAL.