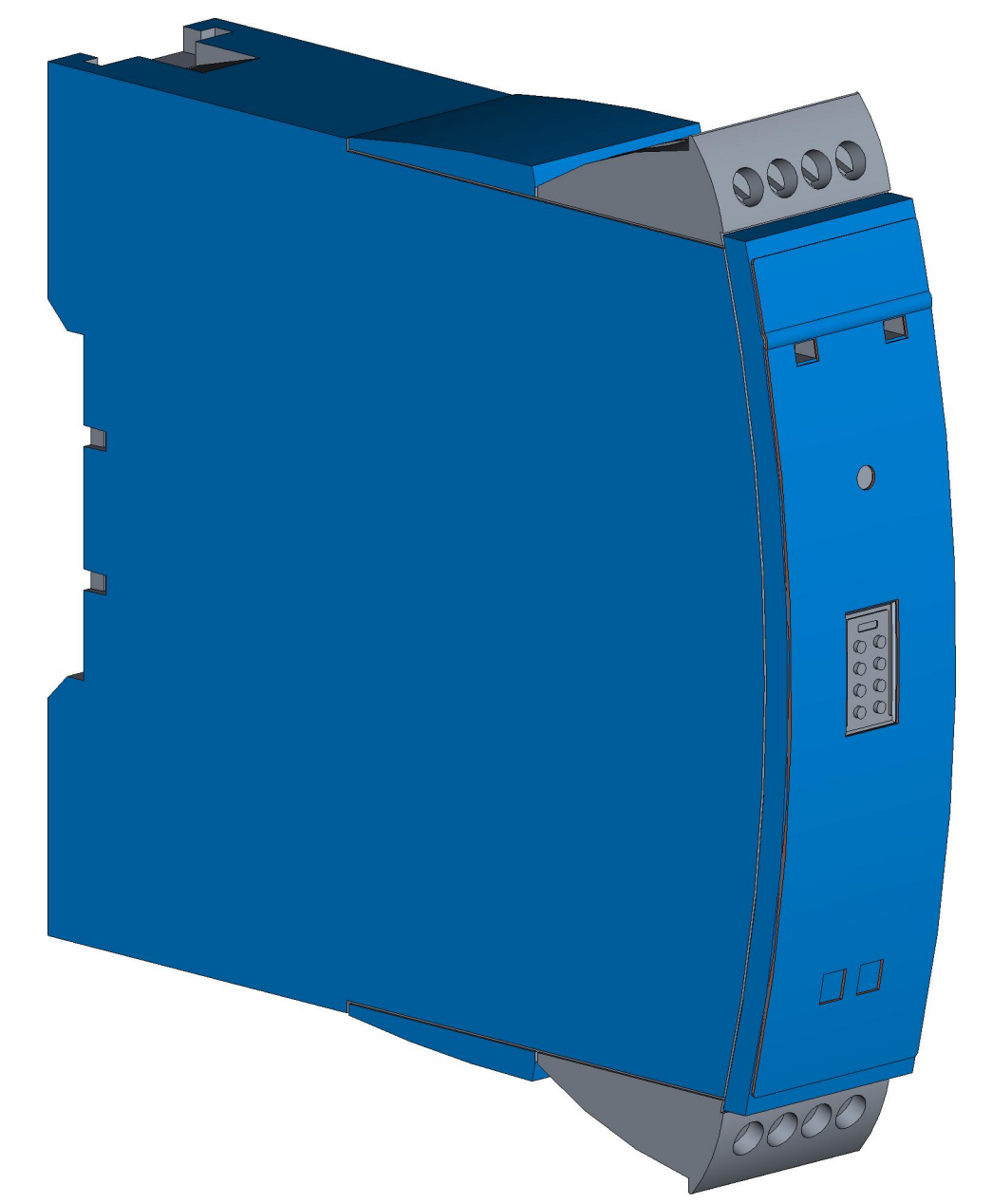
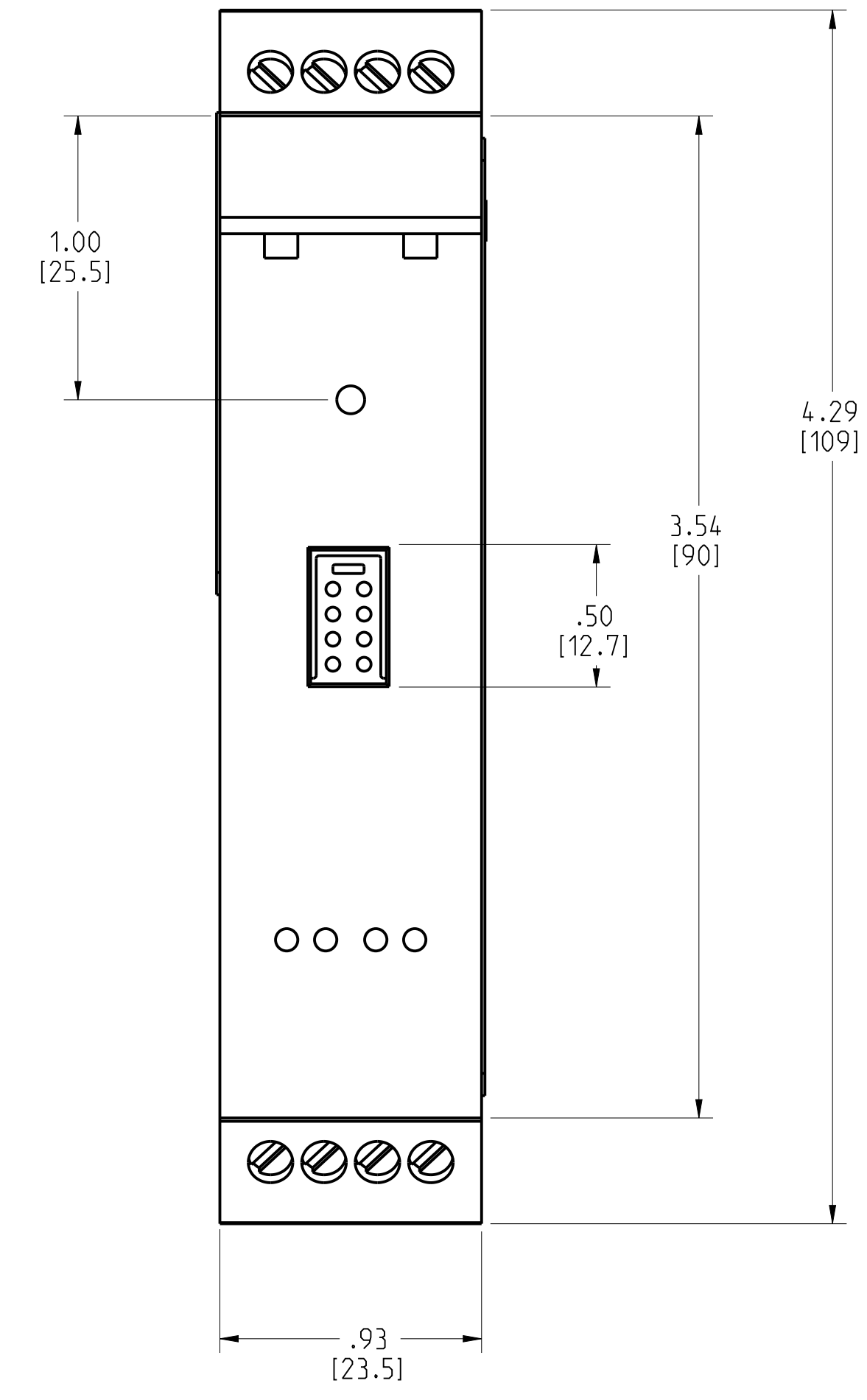
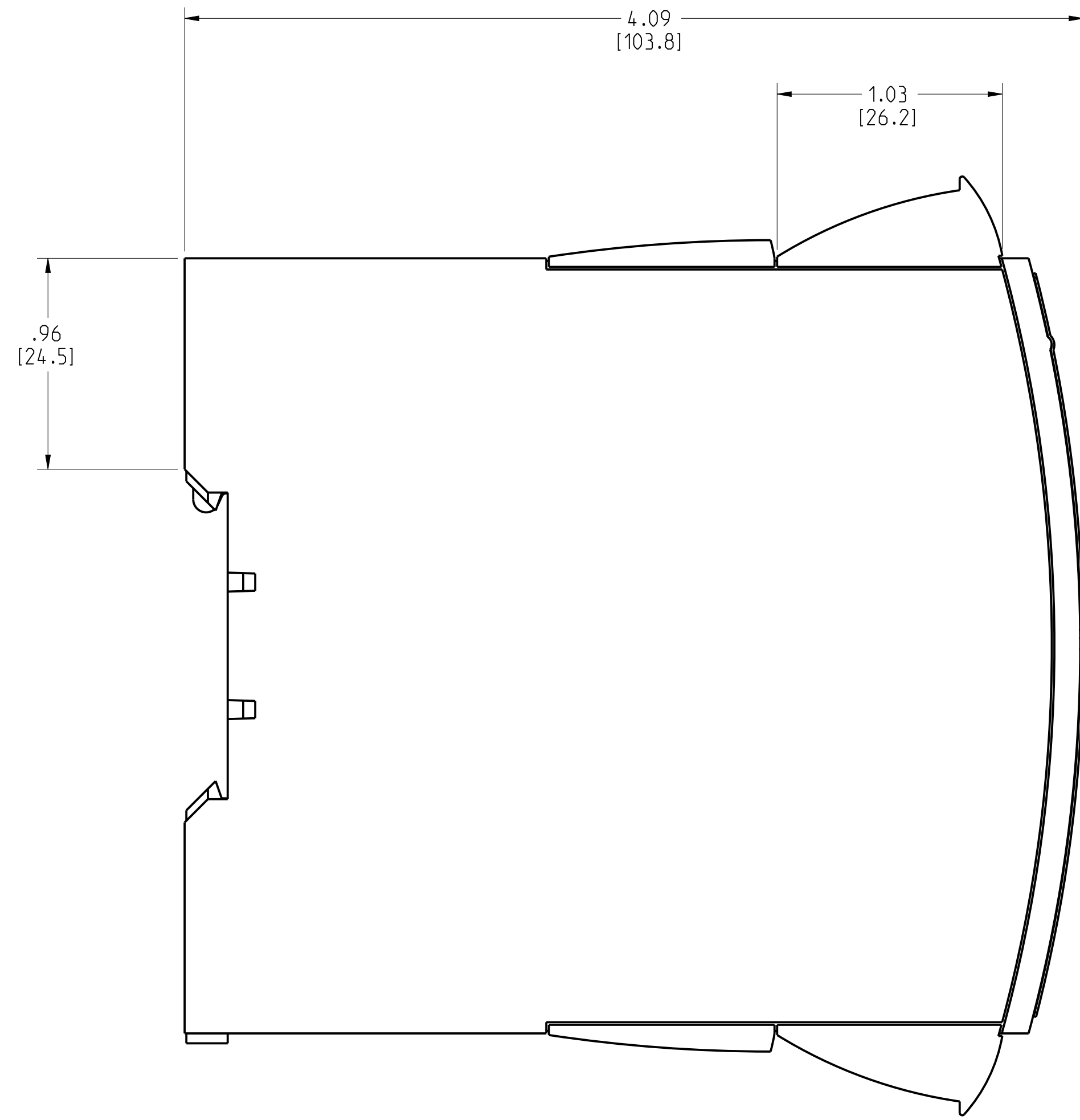


# ROSEMOUNT 248R RAIL MOUNT TRANSMITTER WITH RK OPTION

| REVISION TABLE |            |          |         |
|----------------|------------|----------|---------|
| REVISION       | ECO NO.    | APP'D    | DATE    |
| AA             | RTC1077488 | A. BALCH | 5/18/21 |
| DESCRIPTION    |            |          |         |
| NEW RELEASE    |            |          |         |



©2015 ROSEMOUNT, INC.  
ROSEMOUNT INC. ACCEPTS  
THESE DIMENSIONS AS THE  
CORRECT DIMENSIONS IN  
ACCORDANCE WITH  
ROSEMOUNT ENGINEERING  
SPECIFICATIONS.  
UNIT NOTES IN INCHES (mm).

REFERENCE ROSEMOUNT  
PRODUCT SPECIFICATIONS.  
CLICK HERE

EMERSON

TITLE ROSEMOUNT 248R RAIL MOUNT  
RK OPTION TYPE I DRAWING

DR. J. ARMSTRONG 5/29/21 DRAWING NO.  
APP'D A. BALCH 5/29/21 00248-7700

CAD MAINTAINED (PRO/E) SHEET 1 OF 1

3RD ANGLE

SIZE D

SCALE NTS