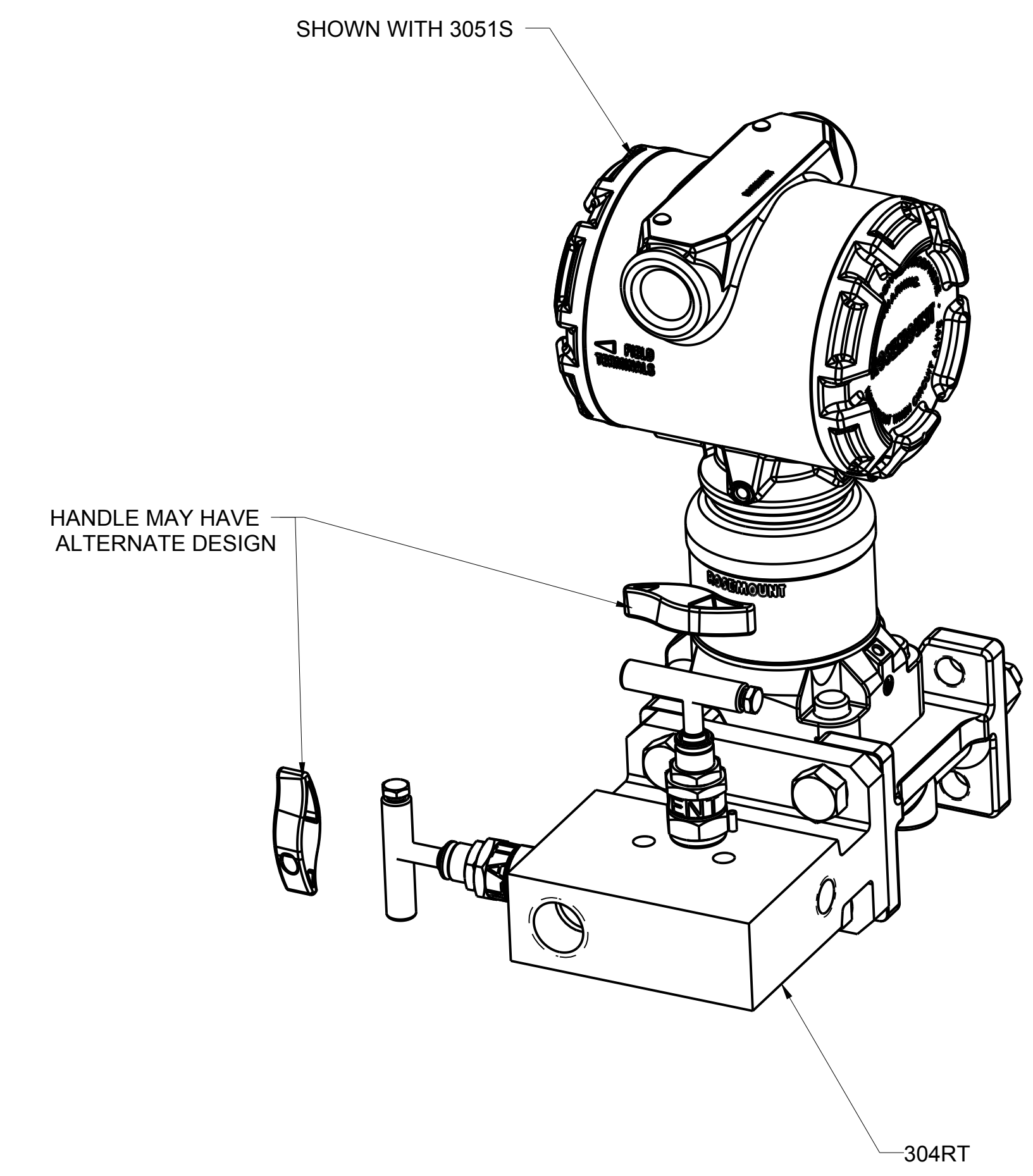
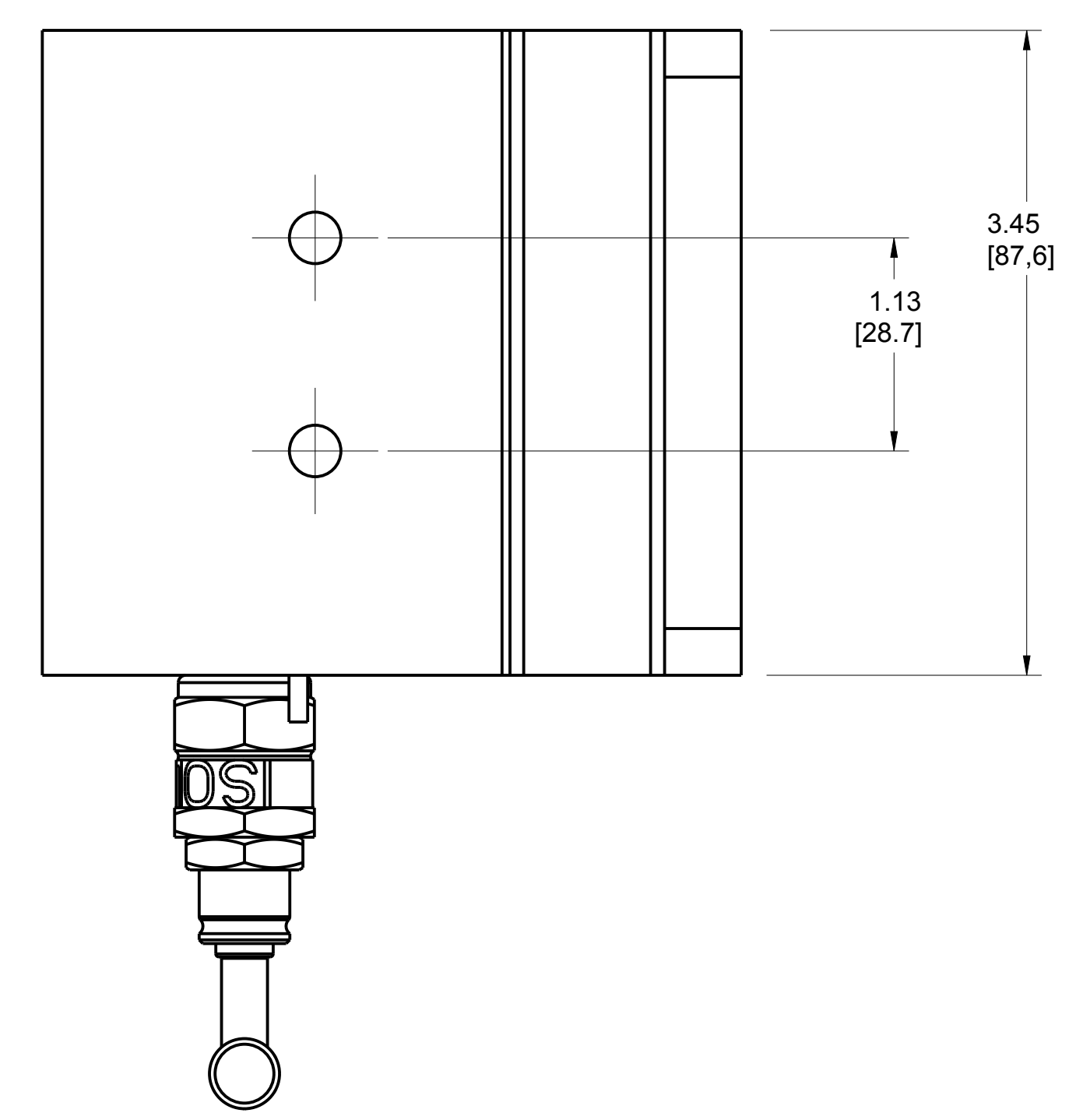
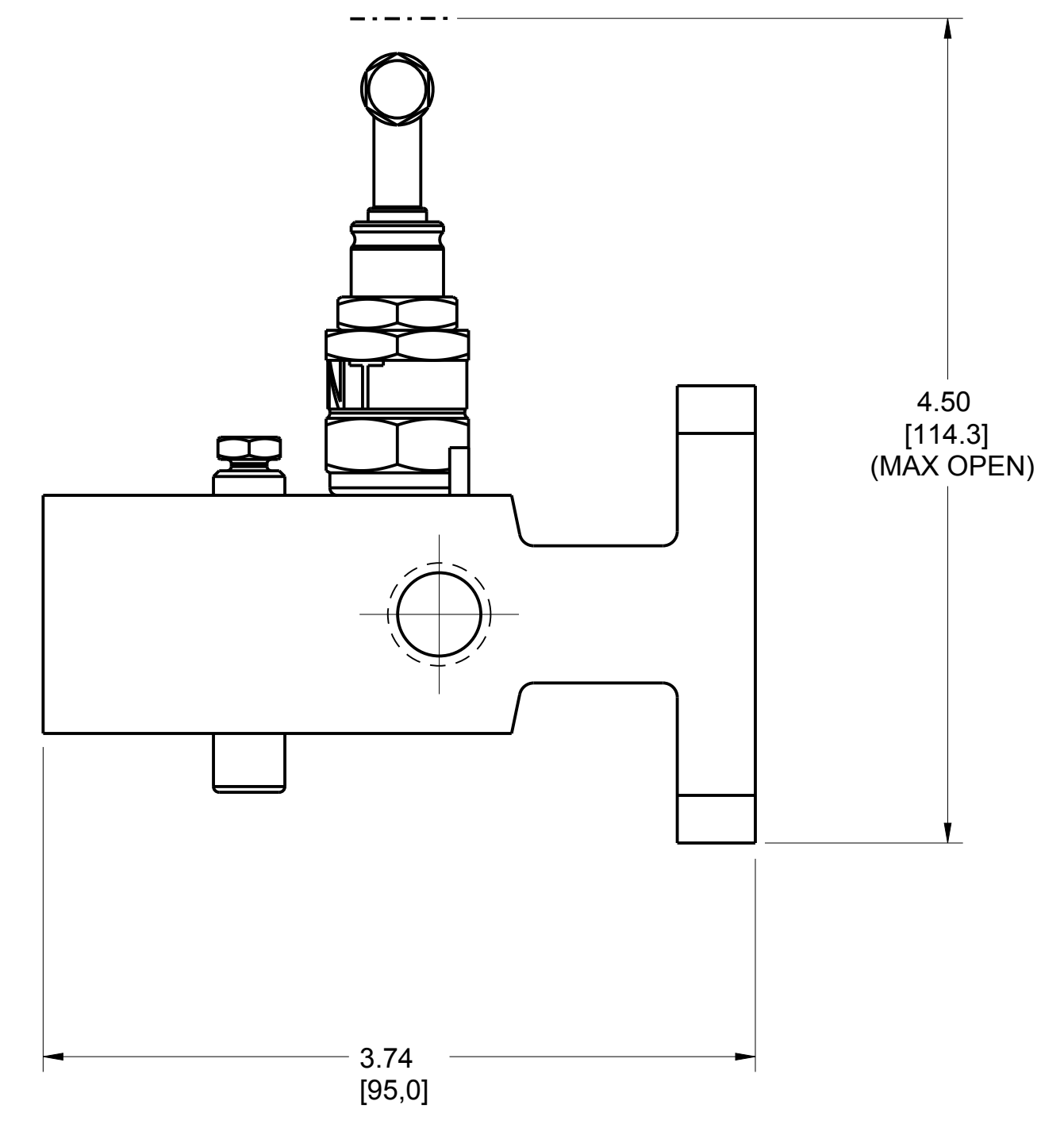
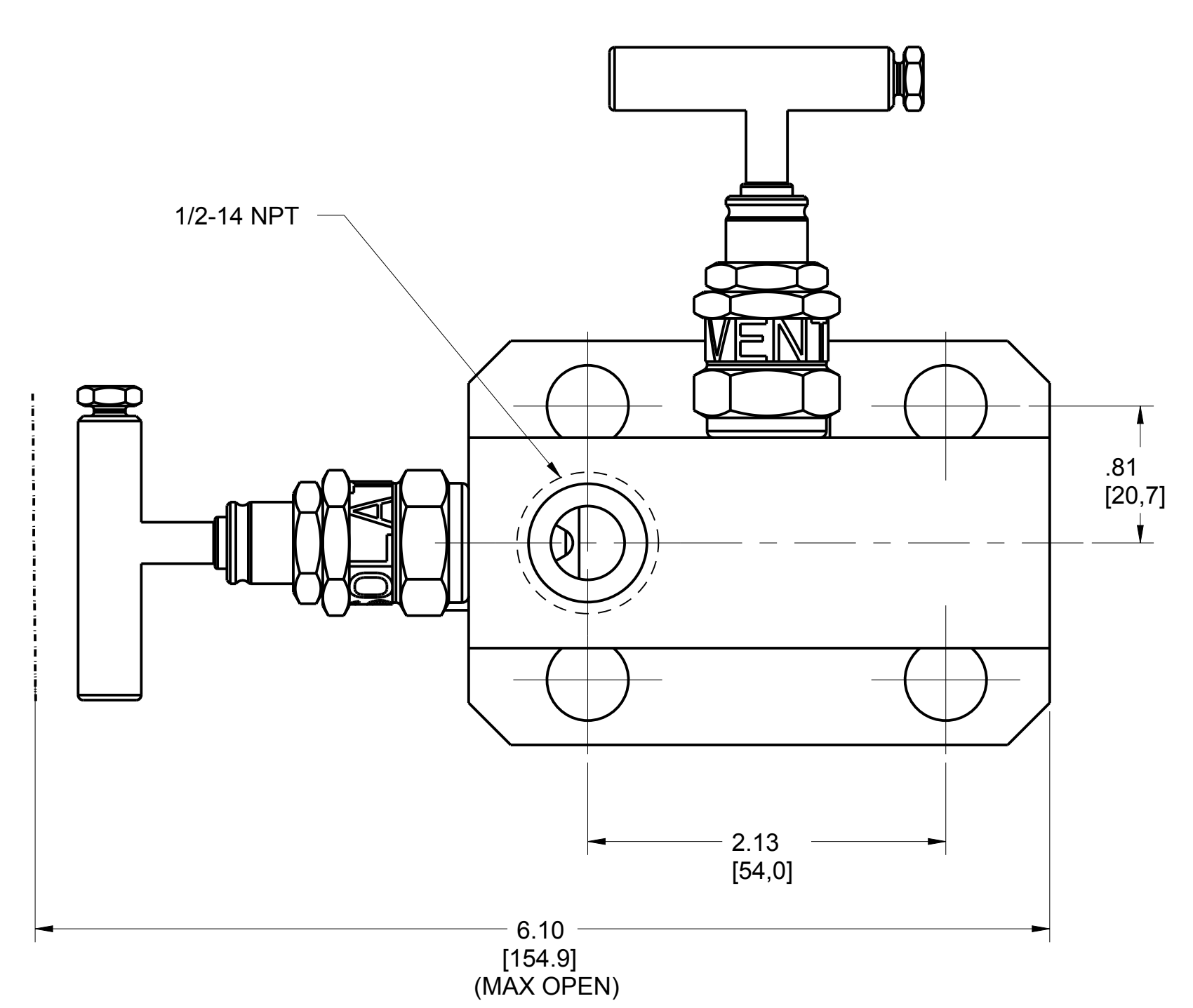


MODEL 304RT TWO VALVE TRADITIONAL STYLE MANIFOLD FLANGE X NPT

REVISION TABLE			
REVISION	ECO NO.	APP'D	DATE
AD	RTC1066665	T. STROTH	10/8/16
DESCRIPTION			
CHANGE UP MANIFOLDS. ADD OTHER VIEWS. CHANGE MAX OPEN DIM.			



©2015 ROSEMOUNT INC.
ROSEMOUNT INC. CERTIFIES
THIS DRAWING IS MADE IN
ACCORDANCE WITH
ROSEMOUNT ENGINEERING
SPECIFICATIONS.
UNIT NOTES IN INCHES (mm).

EMERSON

TITLE ROSEMOUNT 304 MANIFOLDS
TYPE I DRAWING

DR. J. ARMSTRONG 9/27/16 DRAWING NO.
APP'D T. STROTH 10/8/16 00304-0500

CAD MAINTAINED, (PROE) SHEET 1 OF 8

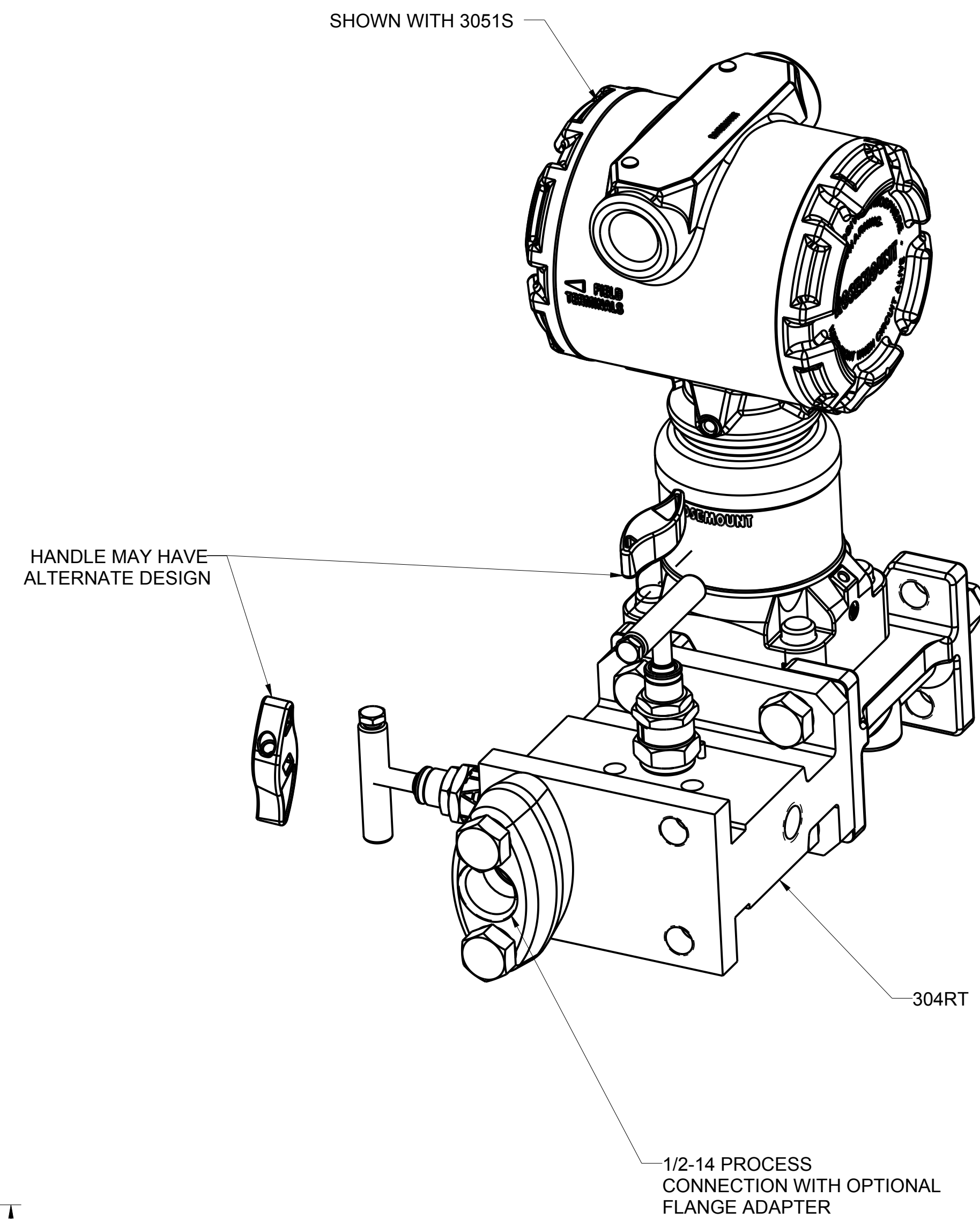
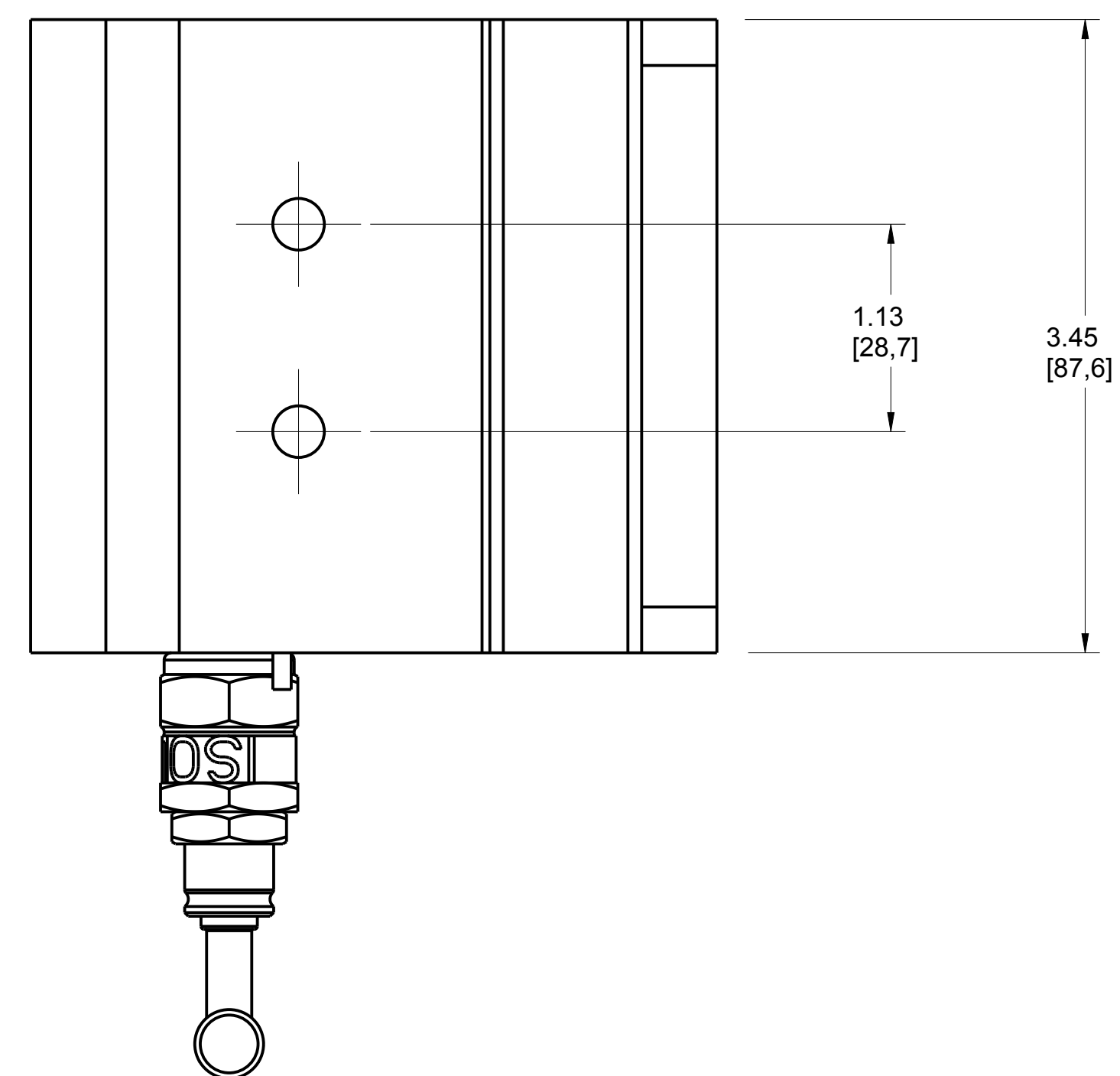
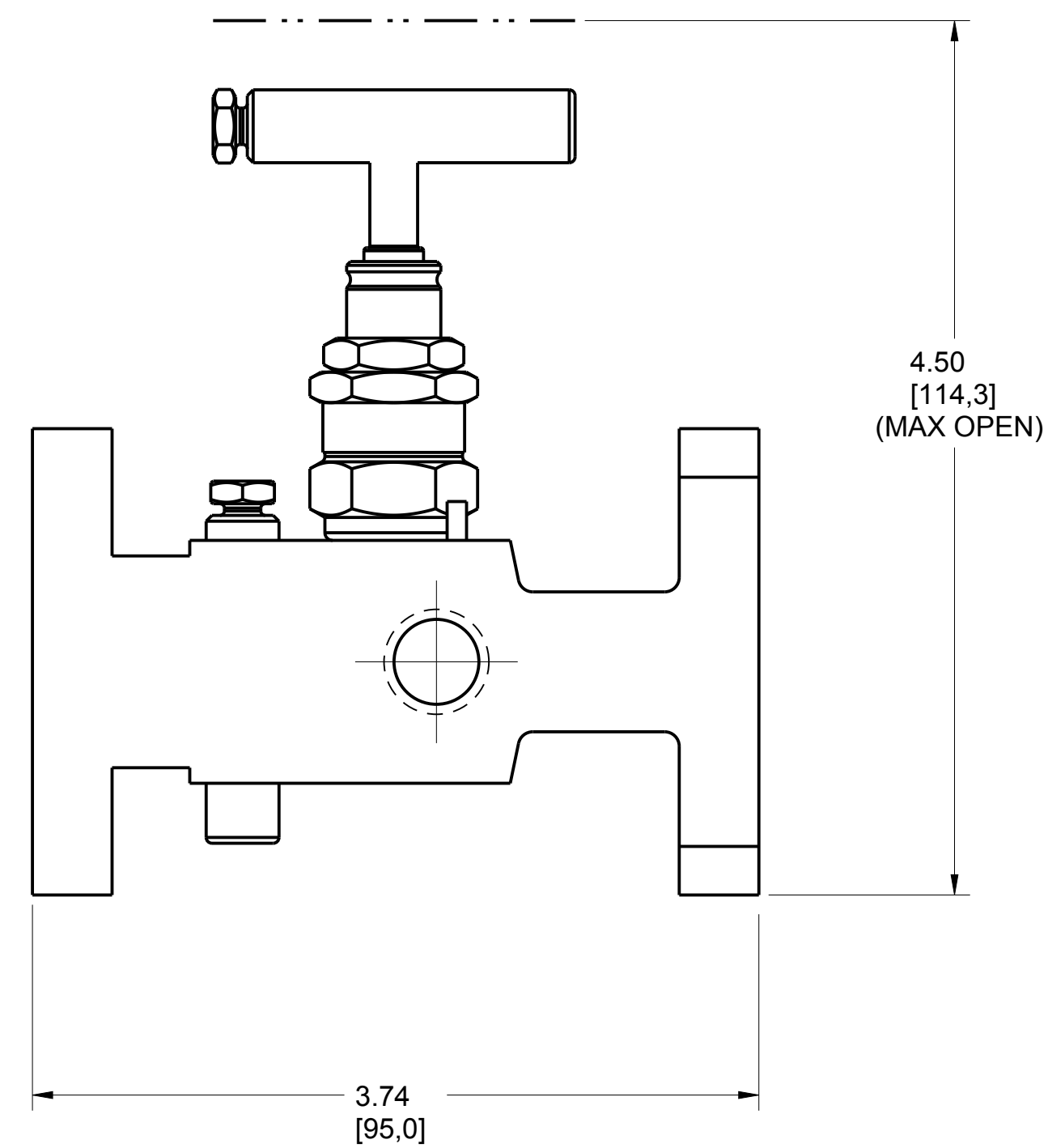
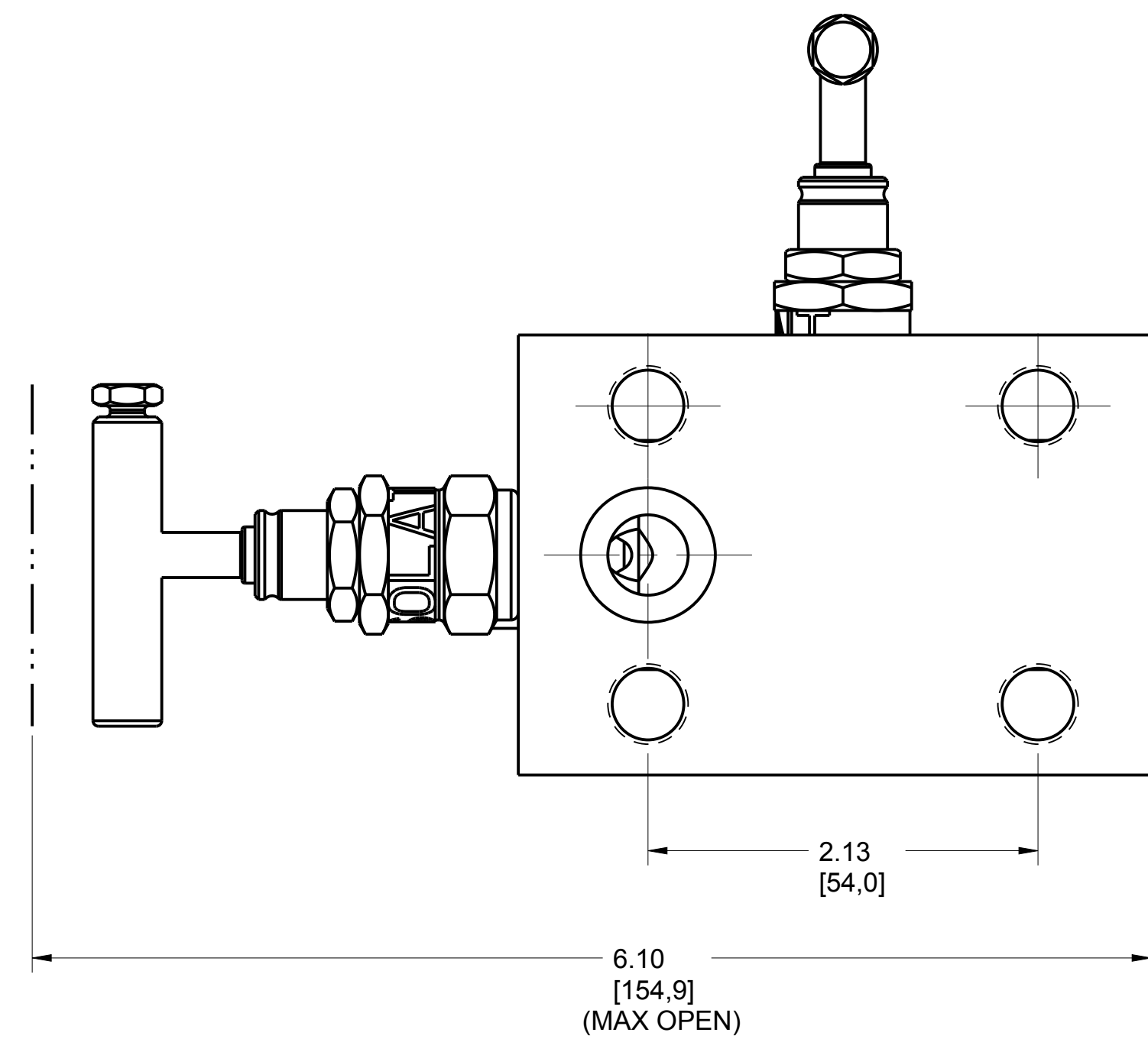
3RD ANGLE

SIZE D SCALE NTS

CLICK HERE

REFERENCE ROSEMOUNT
PRODUCT SPECIFICATIONS.

MODEL 304RT TWO VALVE TRADITIONAL STYLE MANIFOLD FLANGE X FLANGE



©2015 ROSEMOUNT INC.
ROSEMOUNT INC. CERTIFIES
THIS DRAWING IS MADE IN
ACCORDANCE WITH
ROSEMOUNT ENGINEERING
SPECIFICATIONS.
UNIT NOTES IN INCHES (mm).

REFERENCE ROSEMOUNT
PRODUCT SPECIFICATIONS.
CLICK HERE

EMERSON

TITLE ROSEMOUNT 304 MANIFOLDS
TYPE I DRAWING

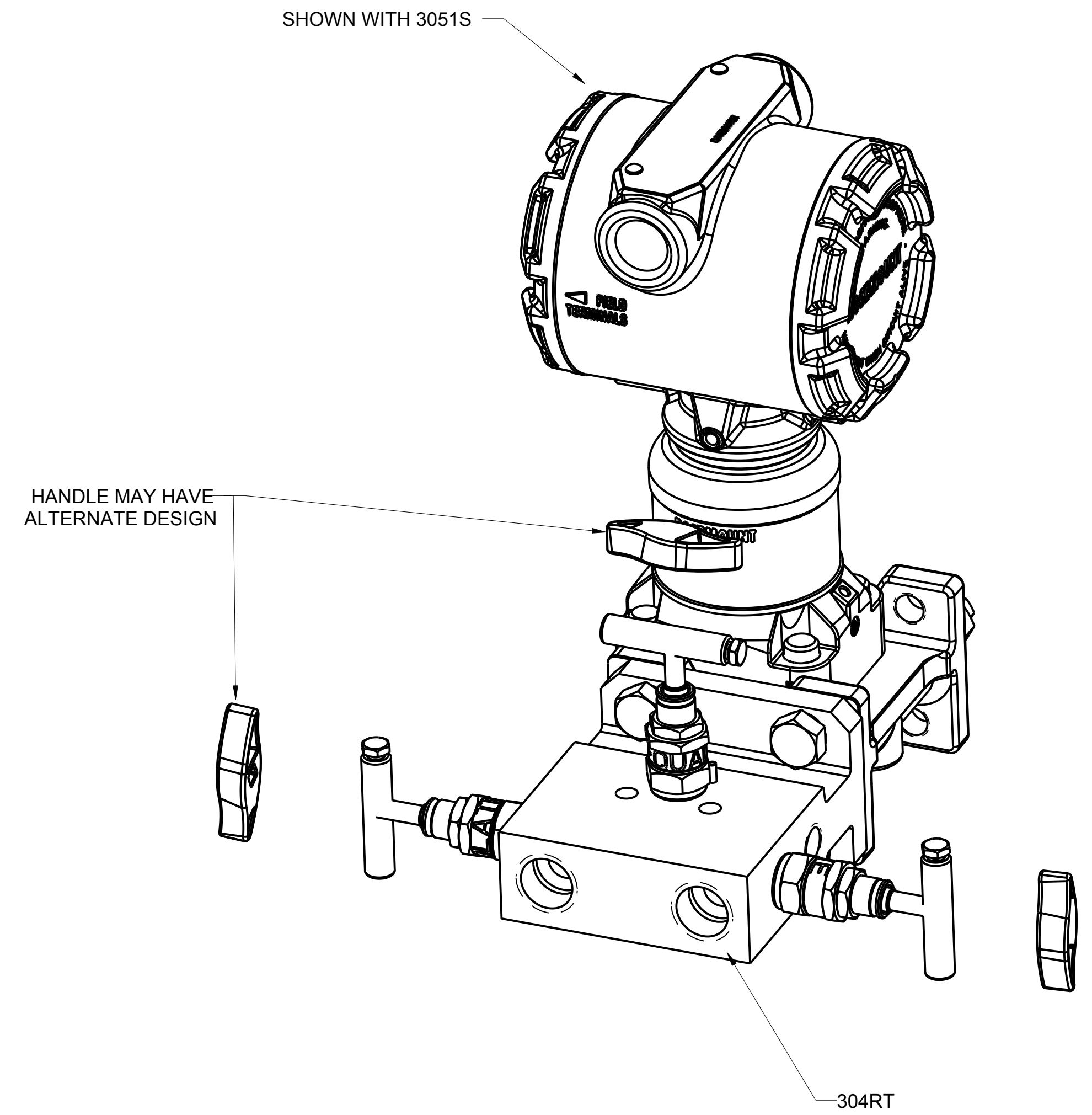
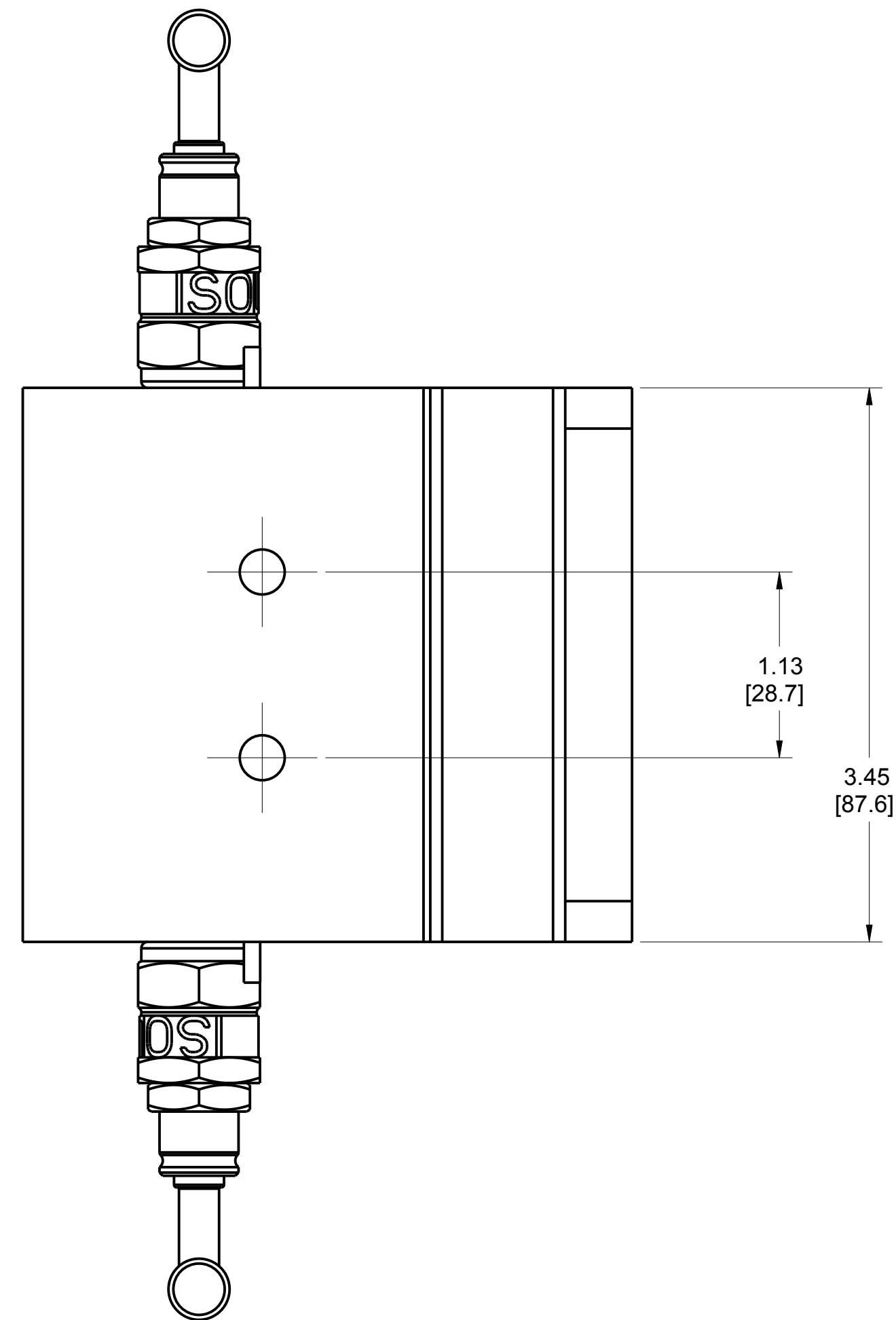
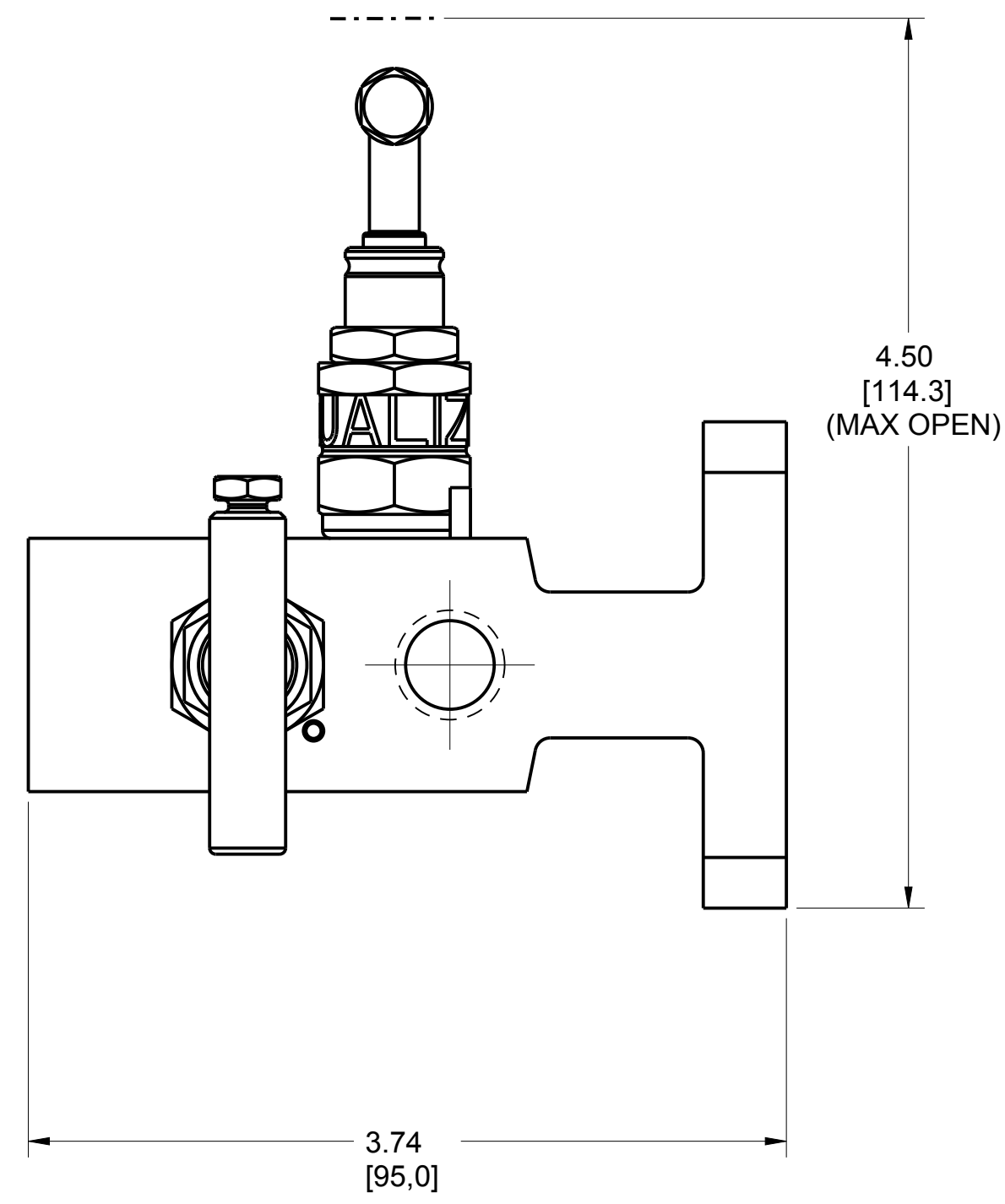
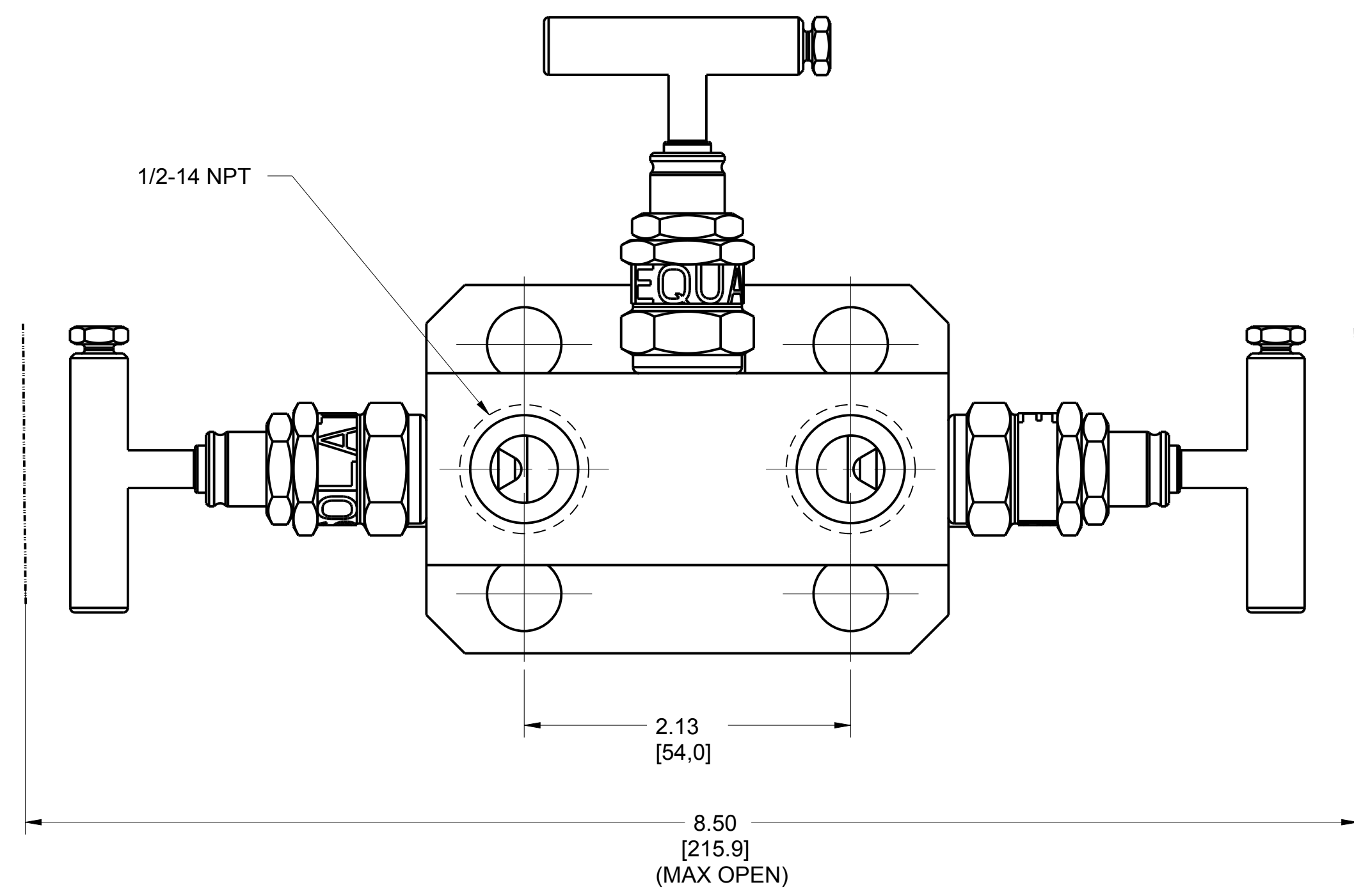
DR. J. ARMSTRONG	9/27/16	DRAWING NO.	
APP'D T. STROTH	9/27/16		00304-0500
CAD MAINTAINED, (PROE)		SHEET 2 OF 8	

3RD ANGLE

SIZE D

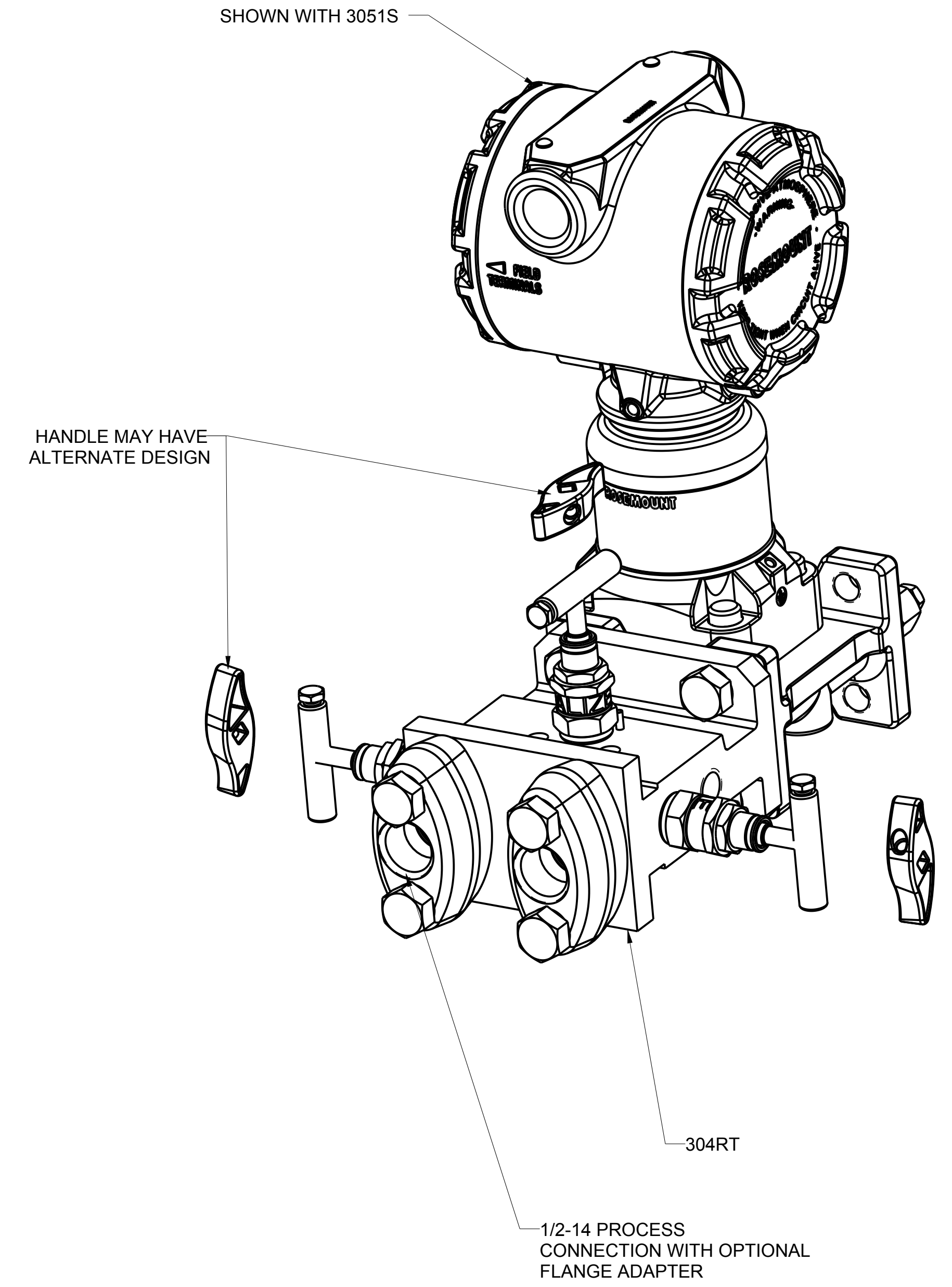
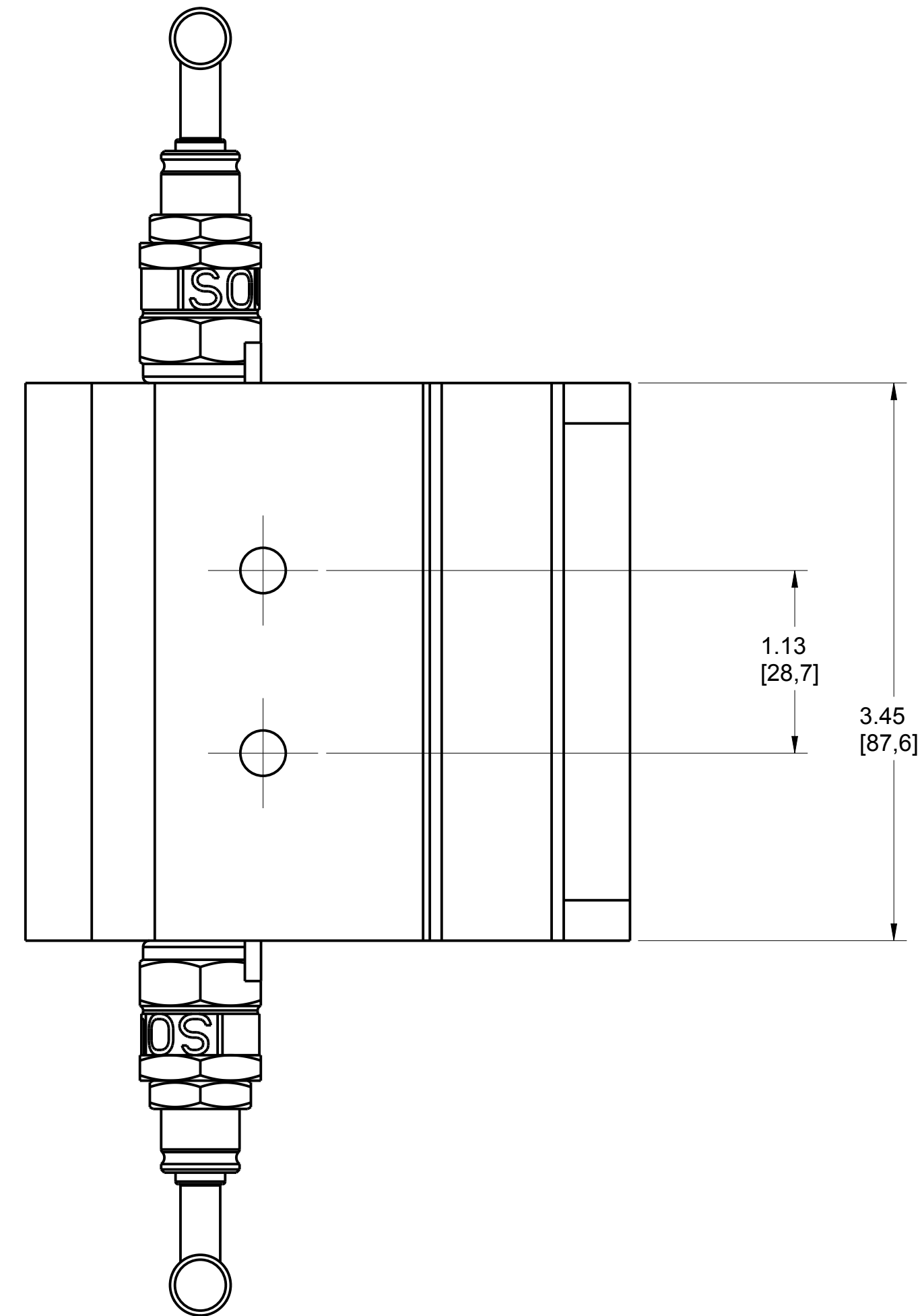
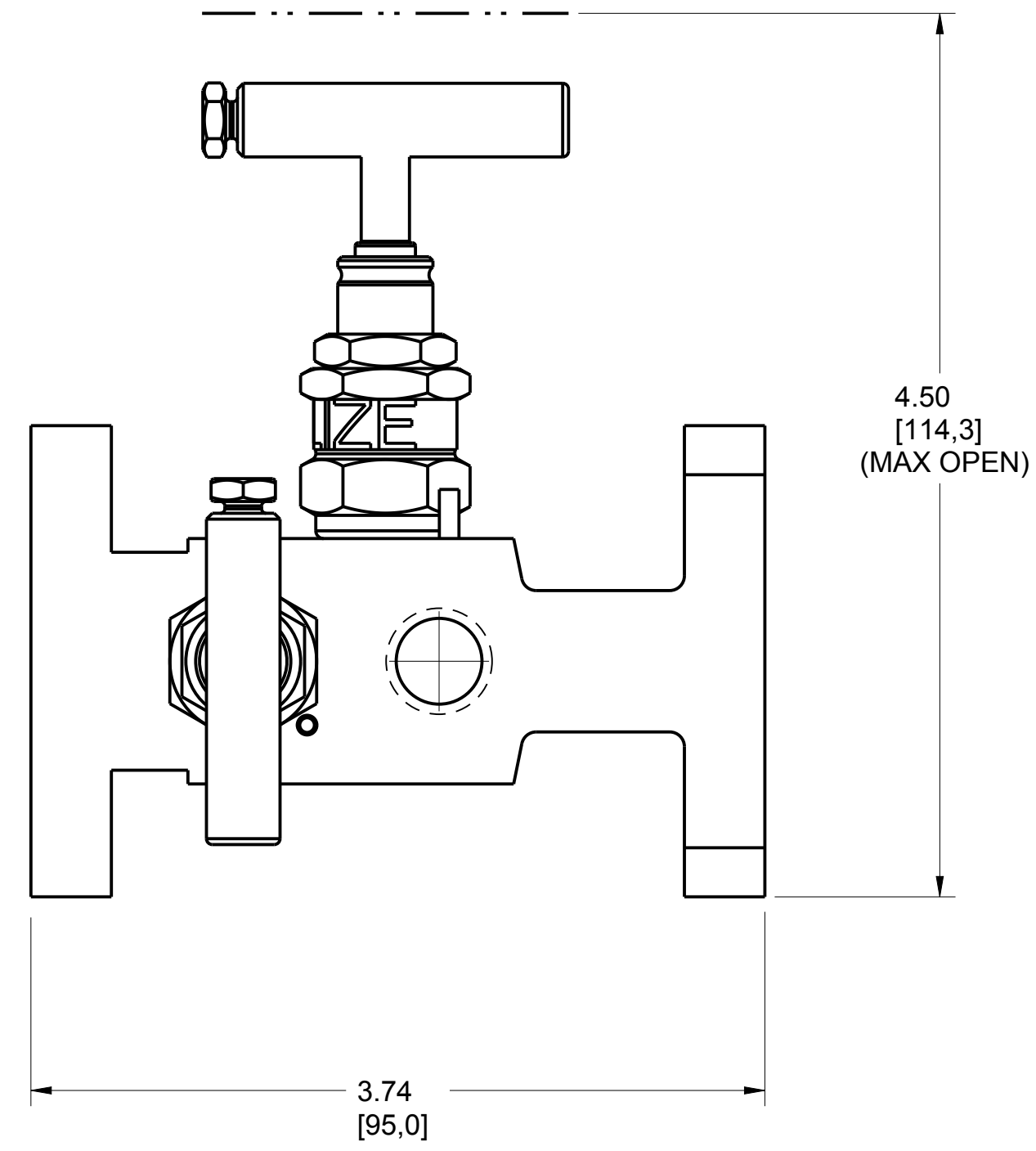
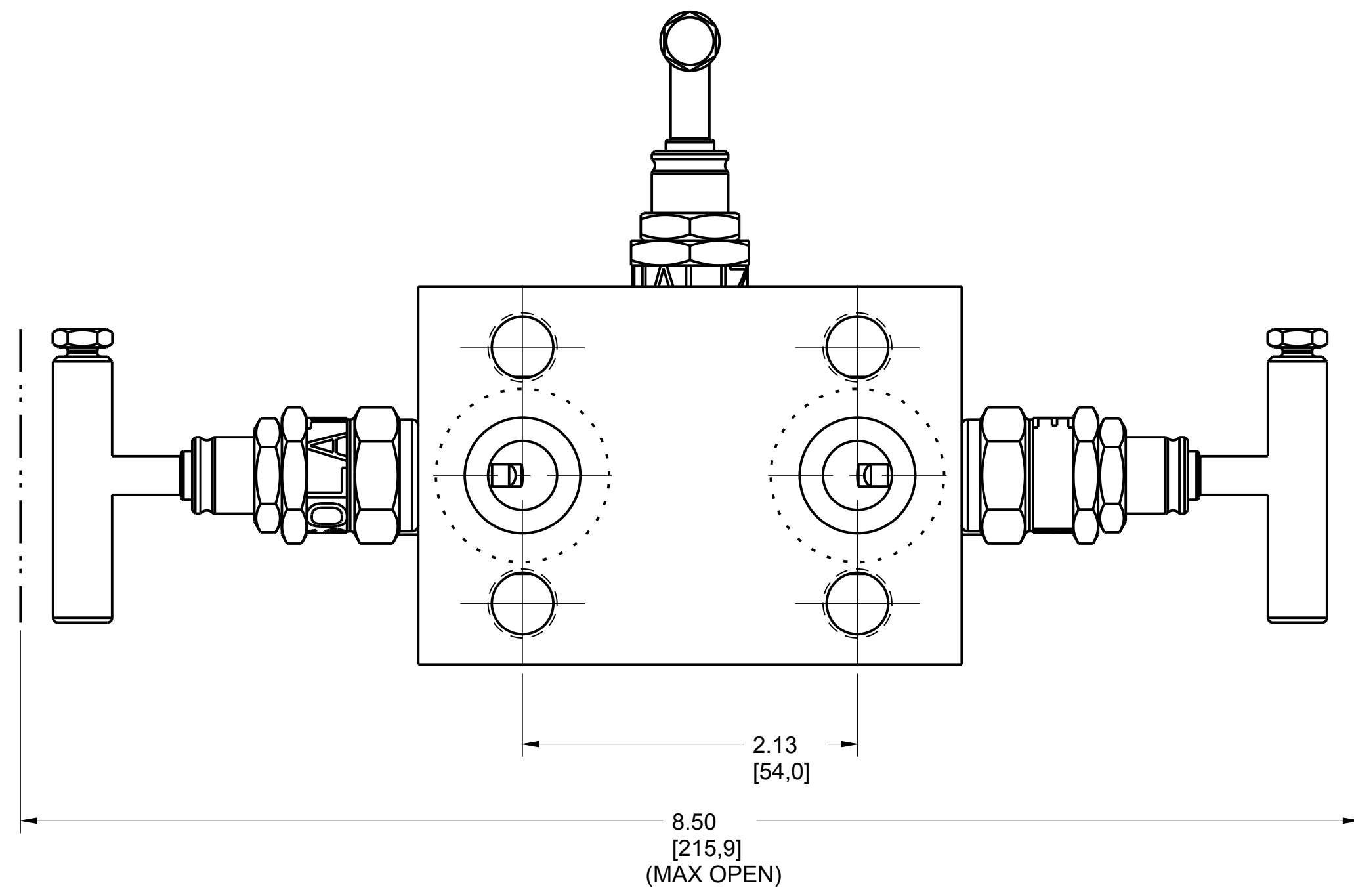
SCALE NTS

MODEL 304RT THREE VALVE TRADITIONAL STYLE MANIFOLD FLANGE X NPT



©2015 ROSEMOUNT INC. ROSEMOUNT INC. CERTIFIES THIS PRODUCT TO THE REQUIREMENTS OF THE ACCORDANCE WITH ROSEMOUNT ENGINEERING SPECIFICATIONS. UNIT NOTES IN INCHES (mm). REFERENCE ROSEMOUNT PRODUCT SPECIFICATIONS. CLICK HERE	3RD ANGLE	SIZE D	SCALE NTS
	TITLE ROSEMOUNT 304 MANIFOLDS TYPE I DRAWING		
	DR. J. ARMSTRONG 9/27/16	DRAWING NO.	00304-0500
APP'D T. STROTH 9/27/16			
CAD MAINTAINED, (PRO/E)		SHEET 3 OF 8	

MODEL 304RT THREE VALVE TRADITIONAL STYLE MANIFOLD FLANGE X FLANGE



©2015 ROSEMOUNT INC.
ROSEMOUNT INC. CERTIFIES
THIS DRAWING IS MADE IN
ACCORDANCE WITH
ROSEMOUNT ENGINEERING
SPECIFICATIONS.
UNIT NOTES IN INCHES (mm).

EMERSON

TITLE ROSEMOUNT 304 MANIFOLDS
TYPE I DRAWING

DR. J. ARMSTRONG 9/27/16 DRAWING NO. 00304-0500

APP'D T. STROTH 9/27/16

CAD MAINTAINED, (PRO/E) SHEET 4 OF 8

3RD ANGLE

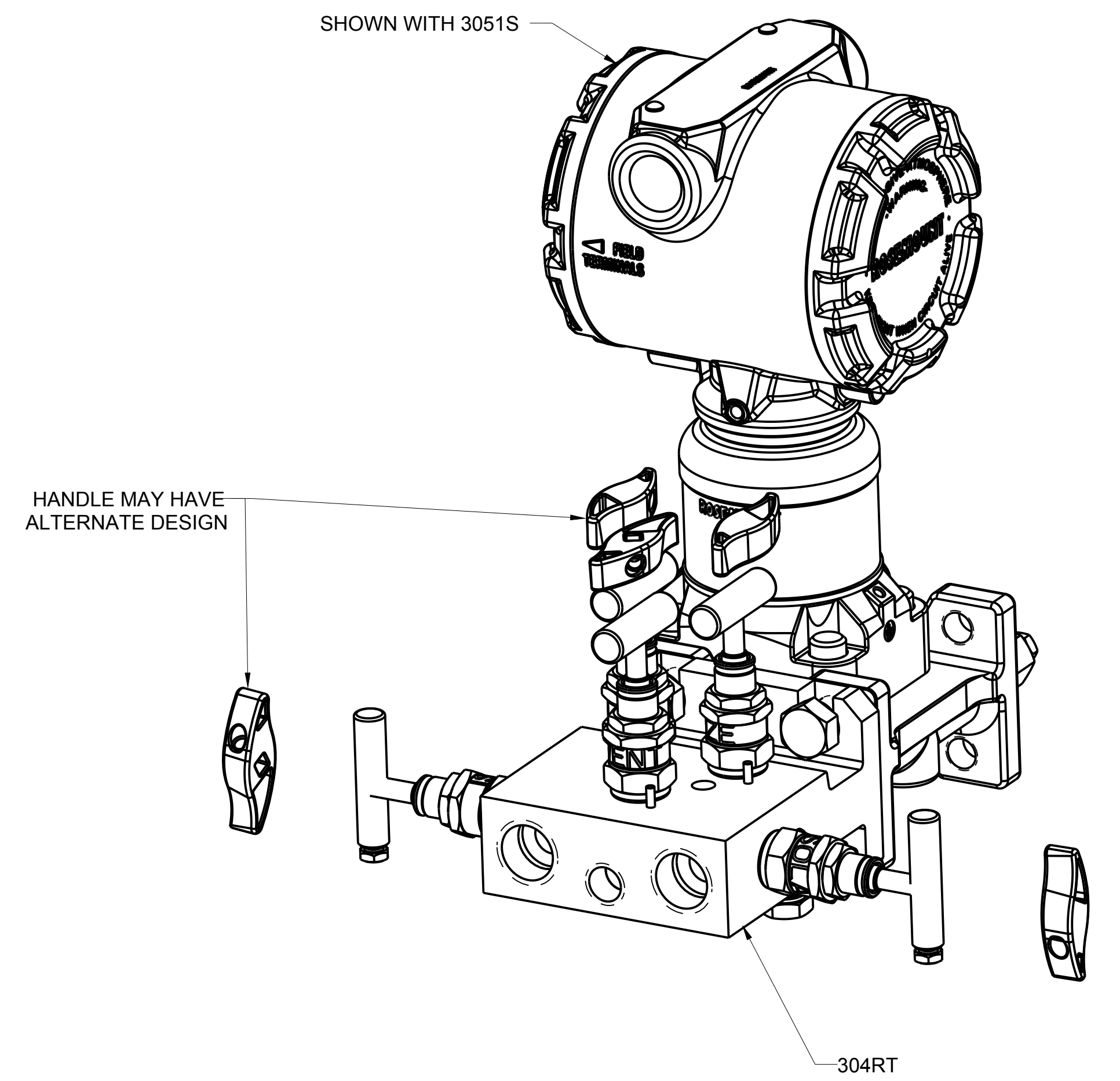
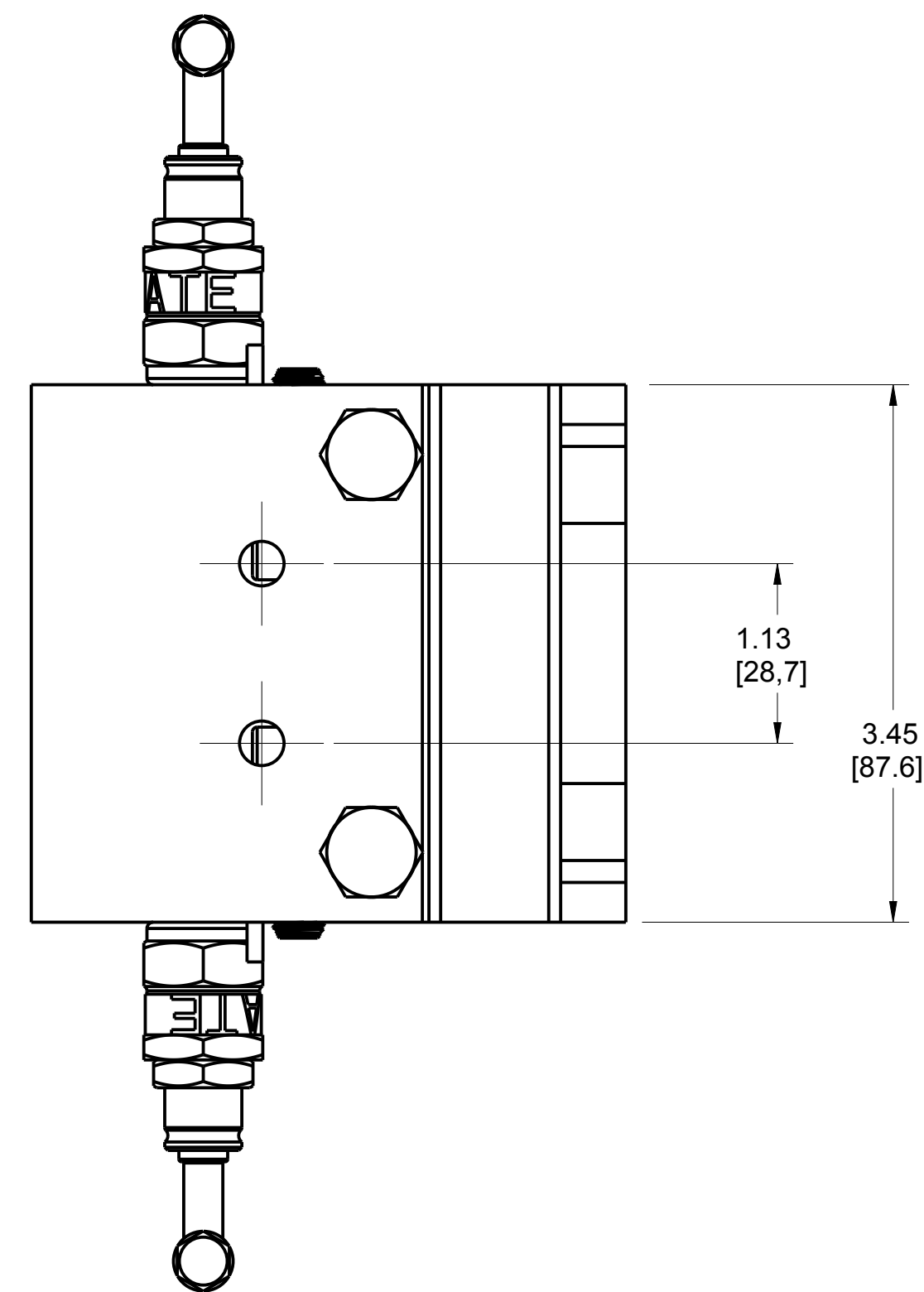
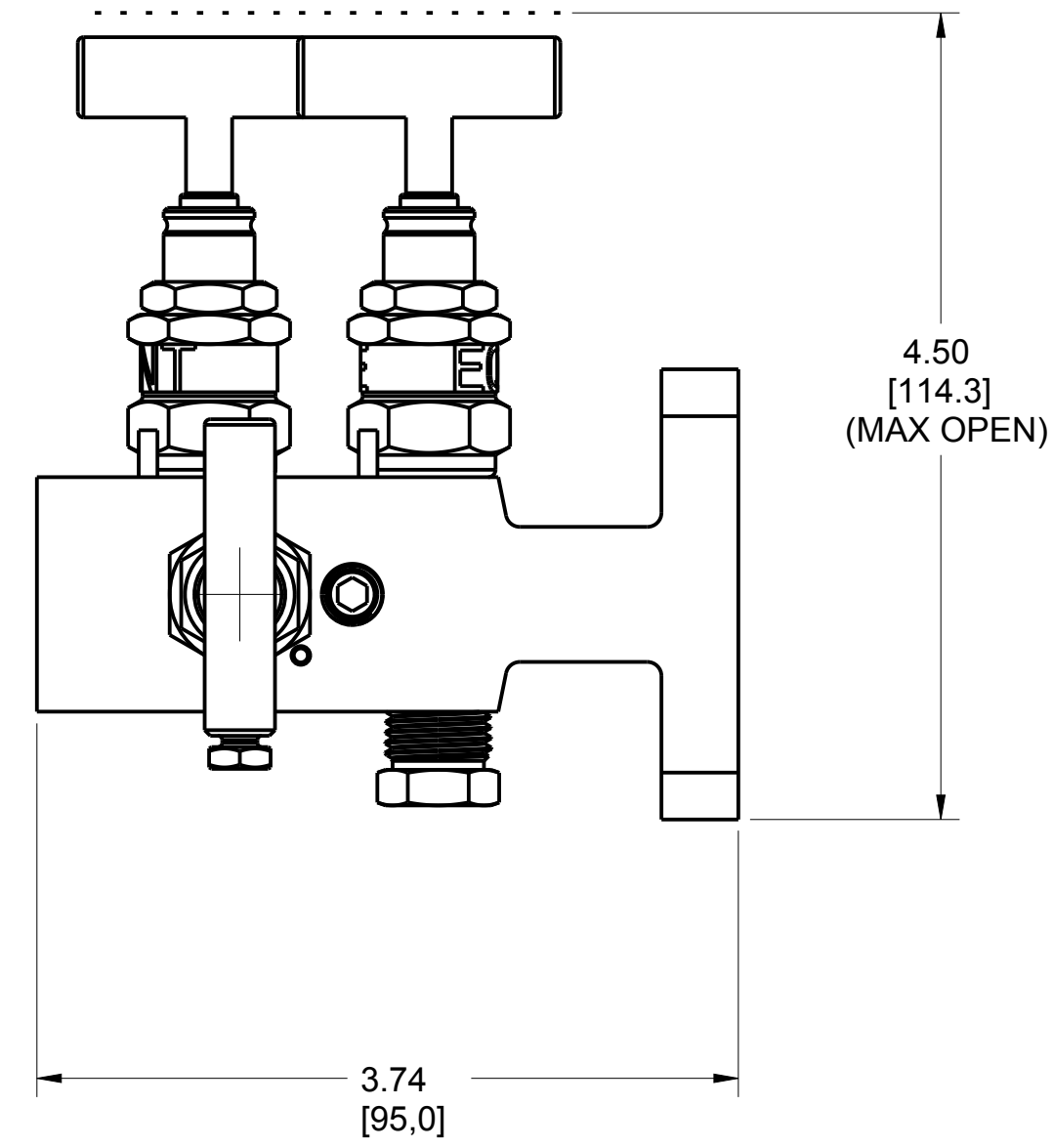
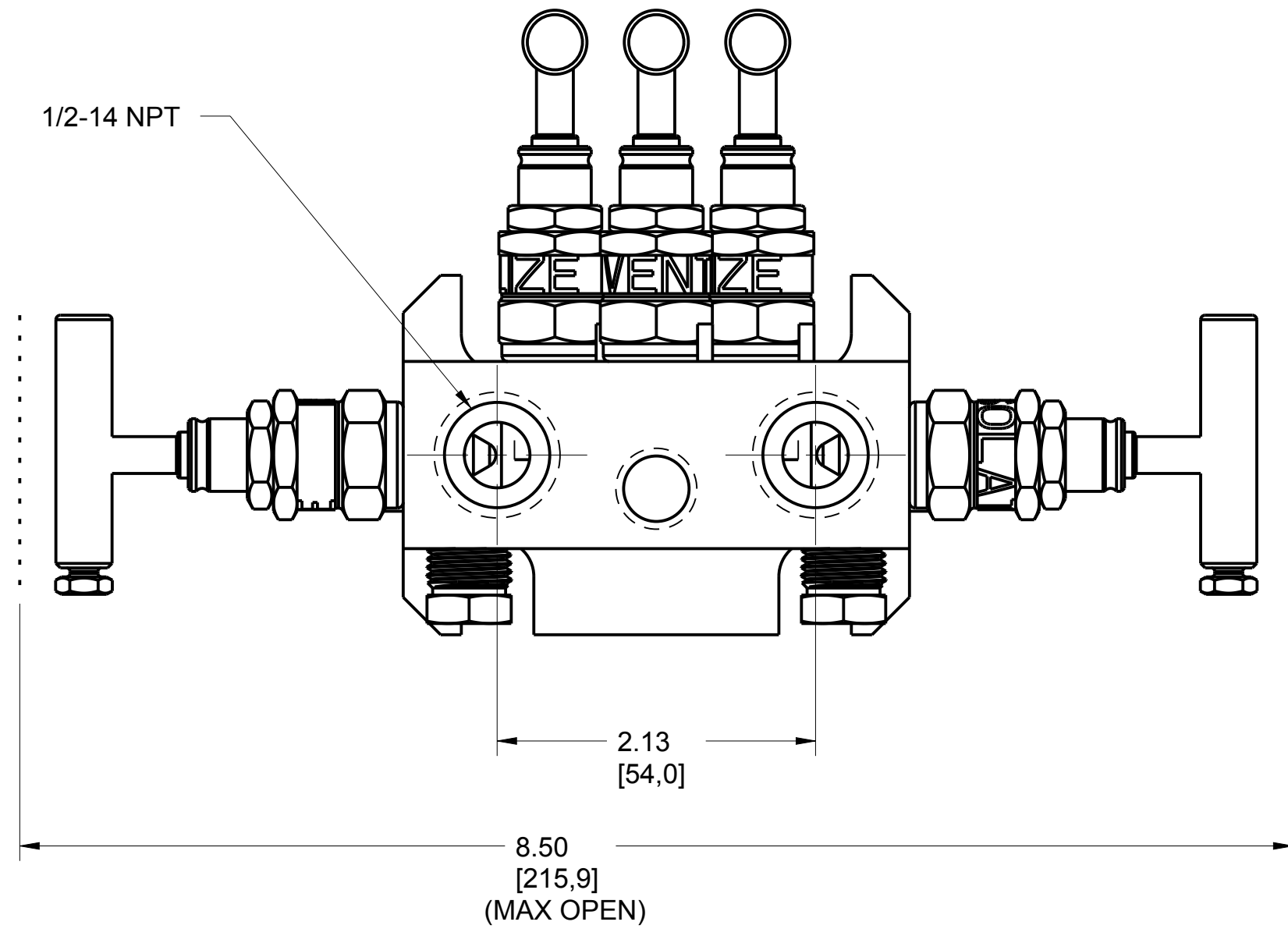
SIZE D

SCALE NTS

CLICK HERE

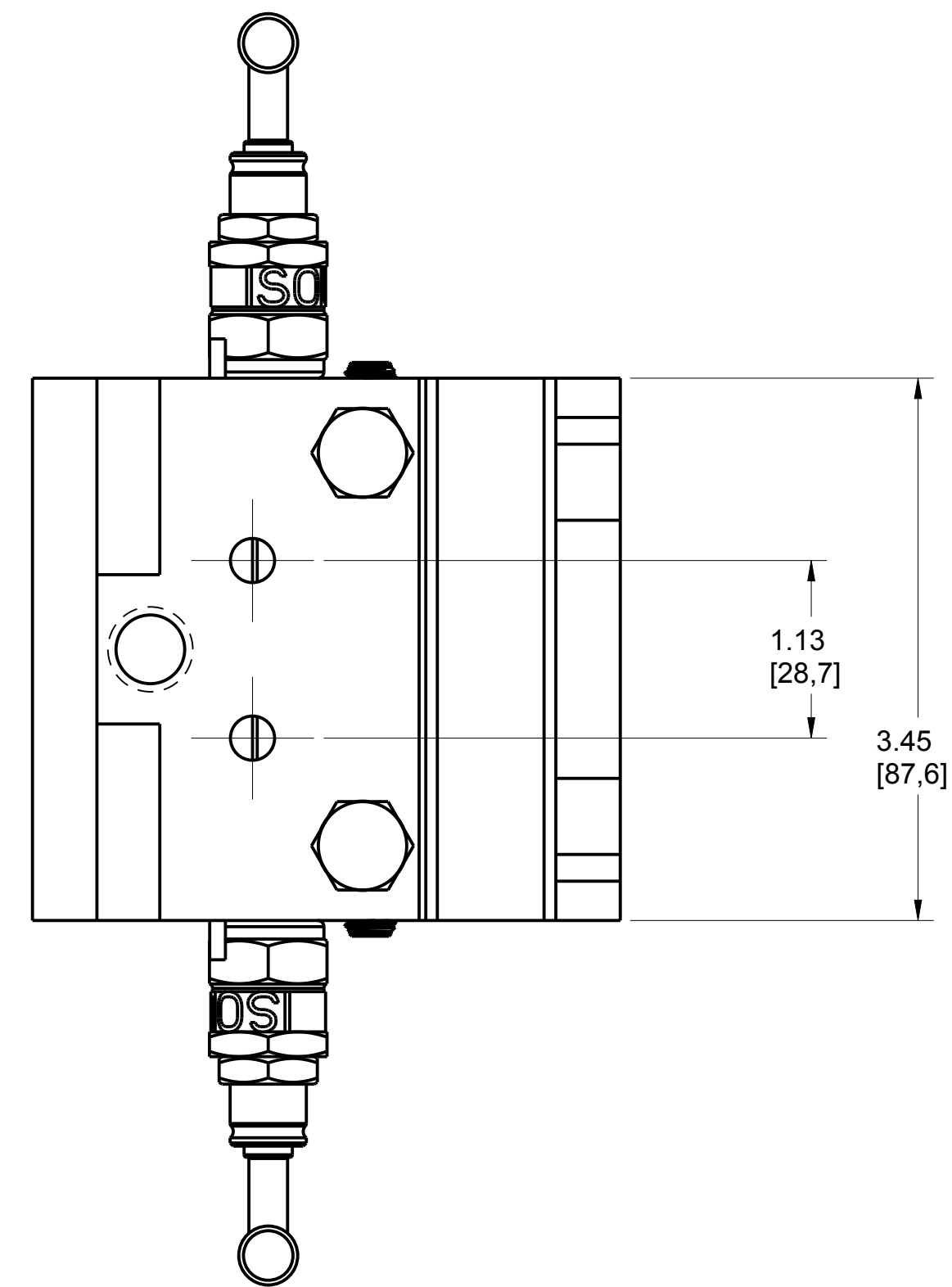
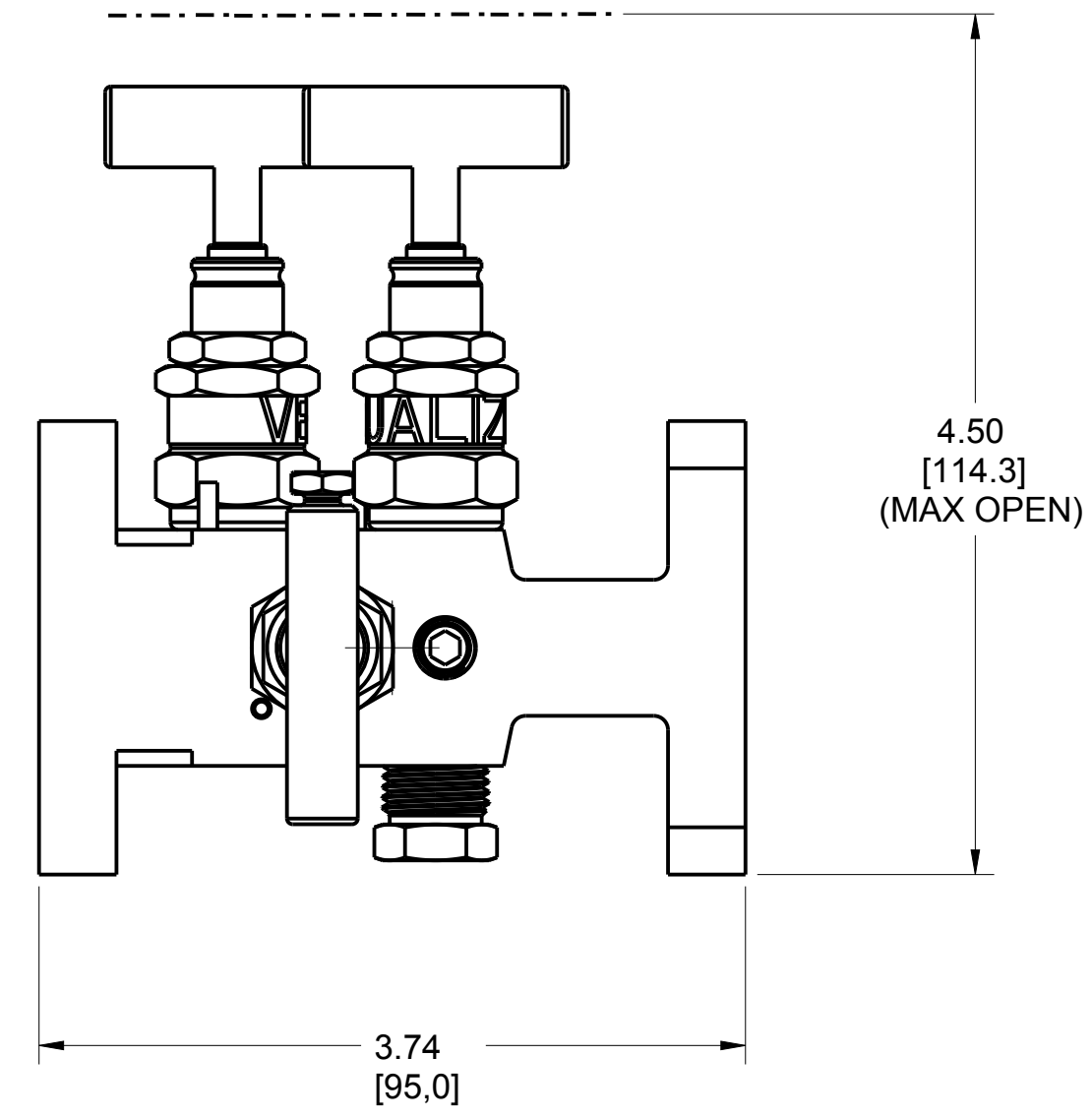
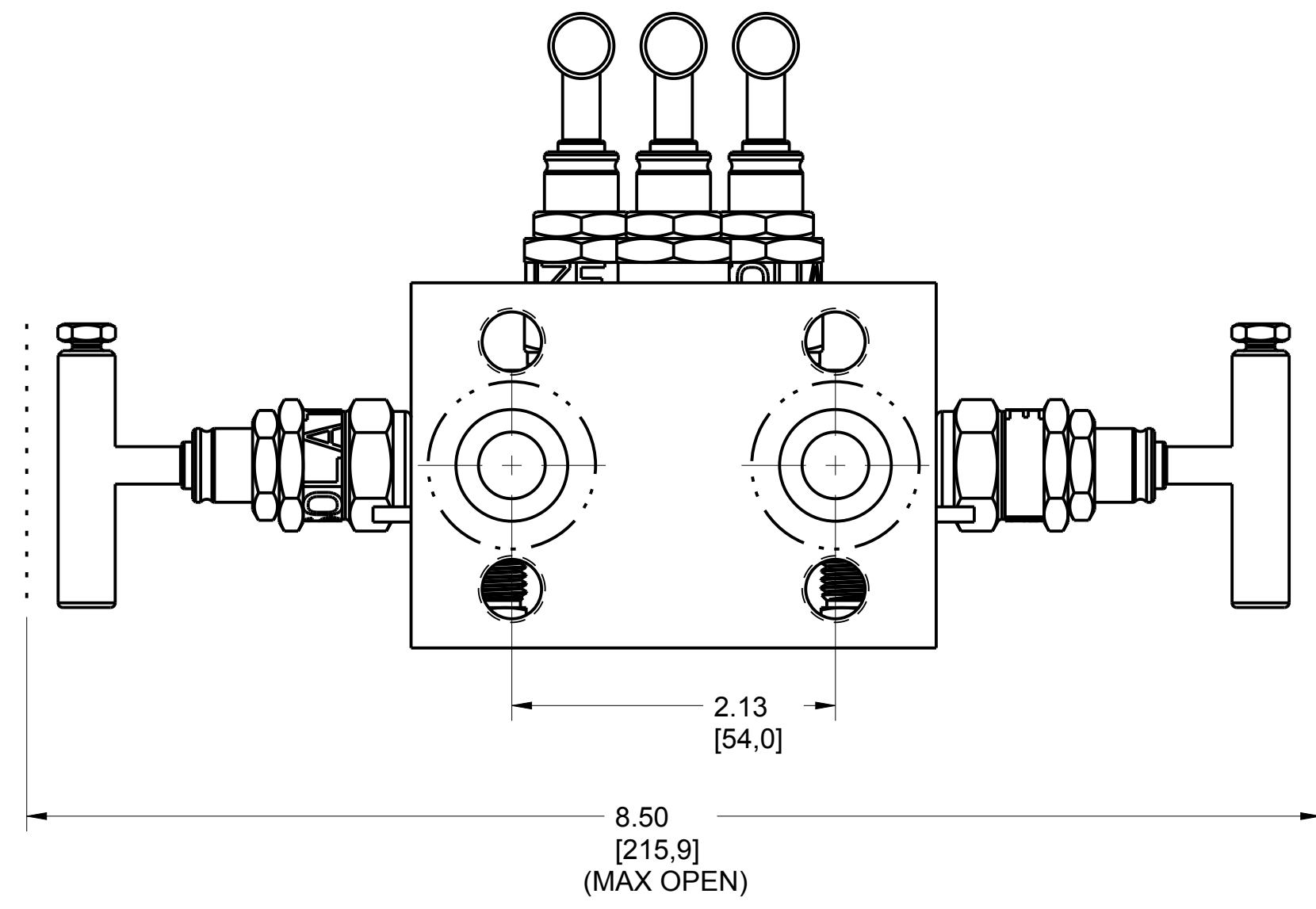
REFERENCE ROSEMOUNT
PRODUCT SPECIFICATIONS.

MODEL 304RT FIVE NATURAL GAS VALVE TRADITIONAL STYLE MANIFOLD FLANGE X NPT



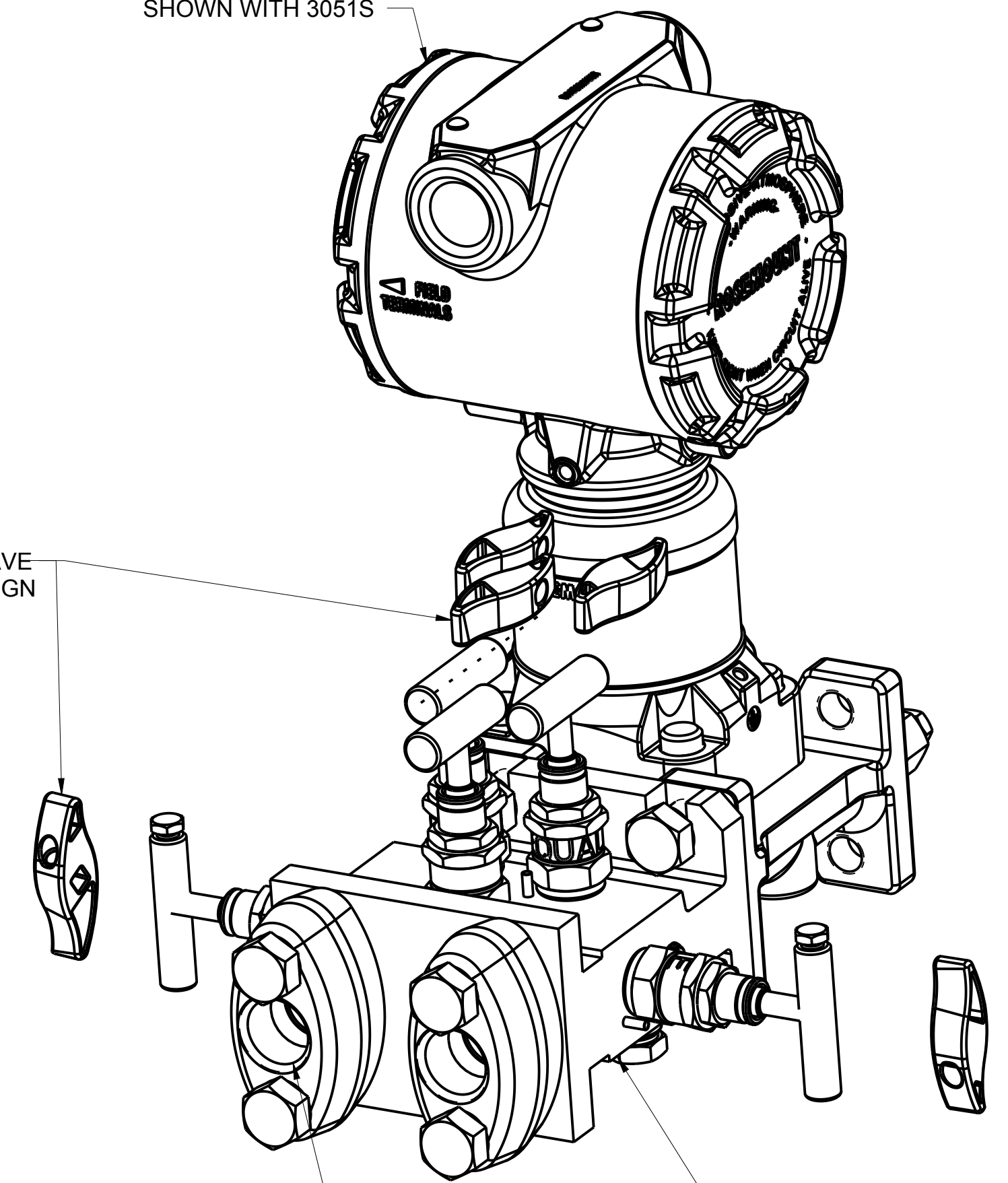
©2015 ROSEMOUNT INC. ROSEMOUNT INC. CERTIFIES THIS DRAWING IS IN ACCORDANCE WITH ROSEMOUNT ENGINEERING SPECIFICATIONS. UNIT NOTES IN INCHES (mm). REFERENCE ROSEMOUNT PRODUCT SPECIFICATIONS. CLICK HERE	3RD ANGLE	SIZE D	SCALE NTS
	TITLE ROSEMOUNT 304 MANIFOLDS TYPE I DRAWING		
	DR. J. ARMSTRONG APP'D T. STROTH	9/27/16 9/27/16	DRAWING NO. 00304-0500

MODEL 304RT FIVE NATURAL GAS VALVE TRADITIONAL STYLE MANIFOLD FLANGE X FLANGE



HANDLE MAY HAVE ALTERNATE DESIGN

SHOWN WITH 3051S

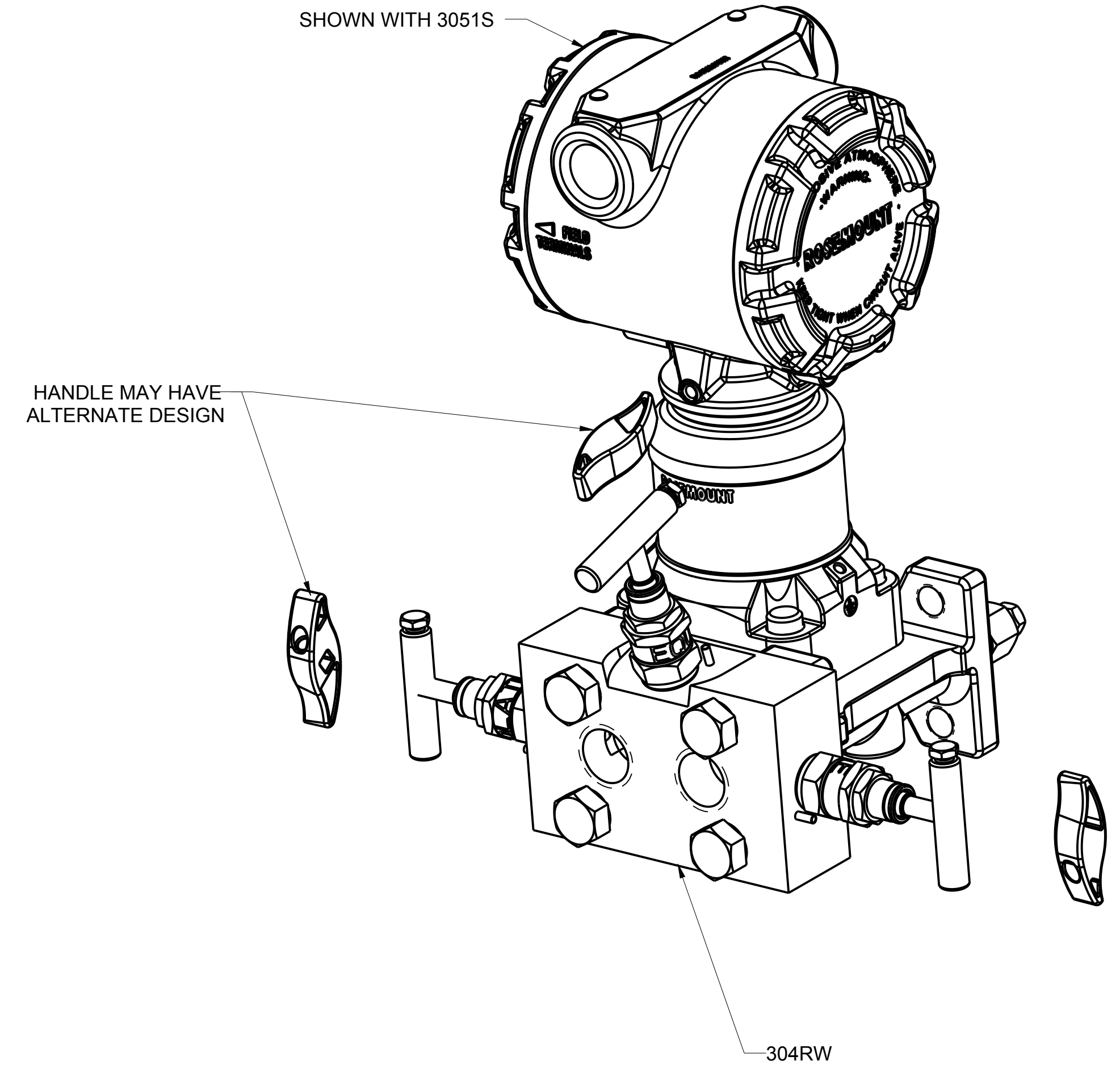
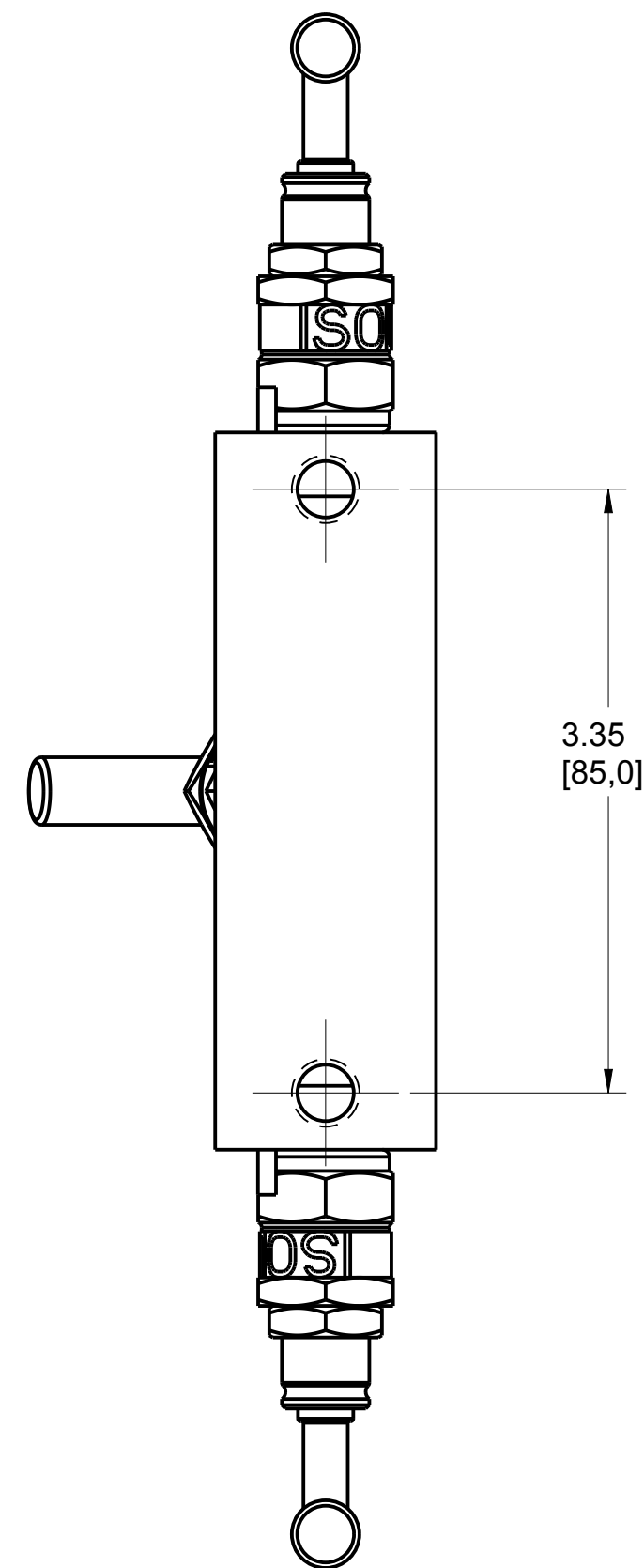
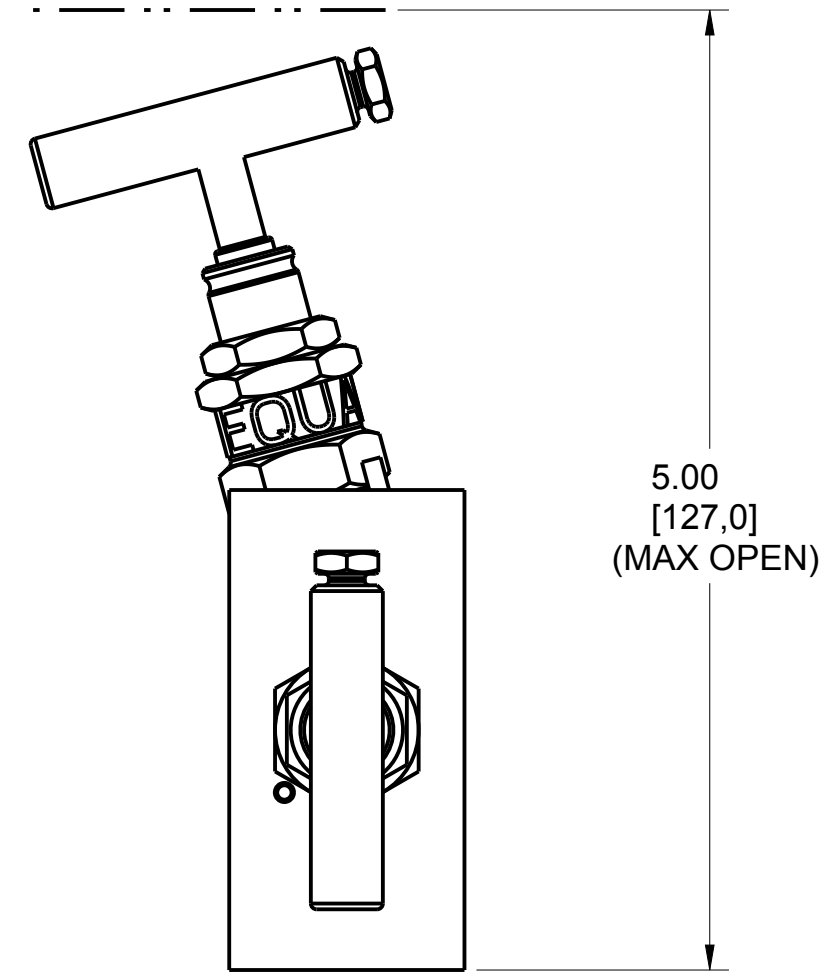
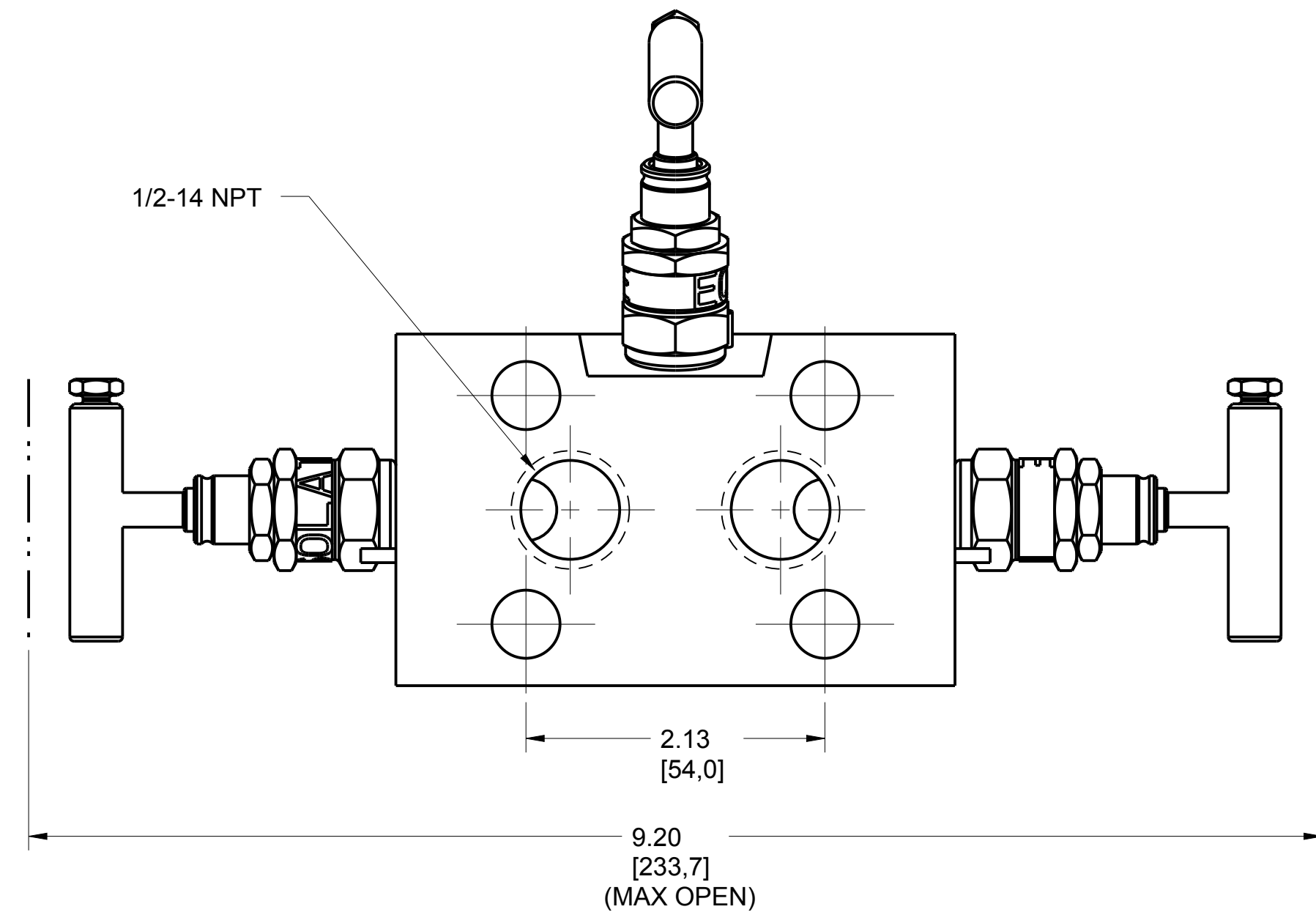


304RT

2X 1/2-14 PROCESS CONNECTION WITH OPTIONAL FLANGE ADAPTER

©2015 ROSEMOUNT INC. ROSEMOUNT INC. CERTIFIES THIS DRAWING TO BE IN ACCORDANCE WITH ROSEMOUNT ENGINEERING SPECIFICATIONS. UNIT NOTES IN INCHES (mm). REFERENCE ROSEMOUNT PRODUCT SPECIFICATIONS. CLICK HERE	3RD ANGLE	SIZE D	SCALE NTS
	TITLE ROSEMOUNT 304 MANIFOLDS TYPE I DRAWING		
	DR. J. ARMSTRONG 9/27/16	DRAWING NO.	00304-0500
APP'D T. STROTH 9/27/16			
CAD MAINTAINED, (PROE)		SHEET 6 OF 8	

MODEL 304RW THREE VALVE WAFER STYLE MANIFOLD



©2015 ROSEMOUNT INC.
ROSEMOUNT INC. CERTIFIES
THIS DRAWING IS MADE
IN ACCORDANCE WITH
ROSEMOUNT ENGINEERING
SPECIFICATIONS.
UNIT NOTES IN INCHES (mm).
REFERENCE ROSEMOUNT
PRODUCT SPECIFICATIONS.
CLICK HERE

EMERSON

TITLE ROSEMOUNT 304 MANIFOLDS
TYPE I DRAWING

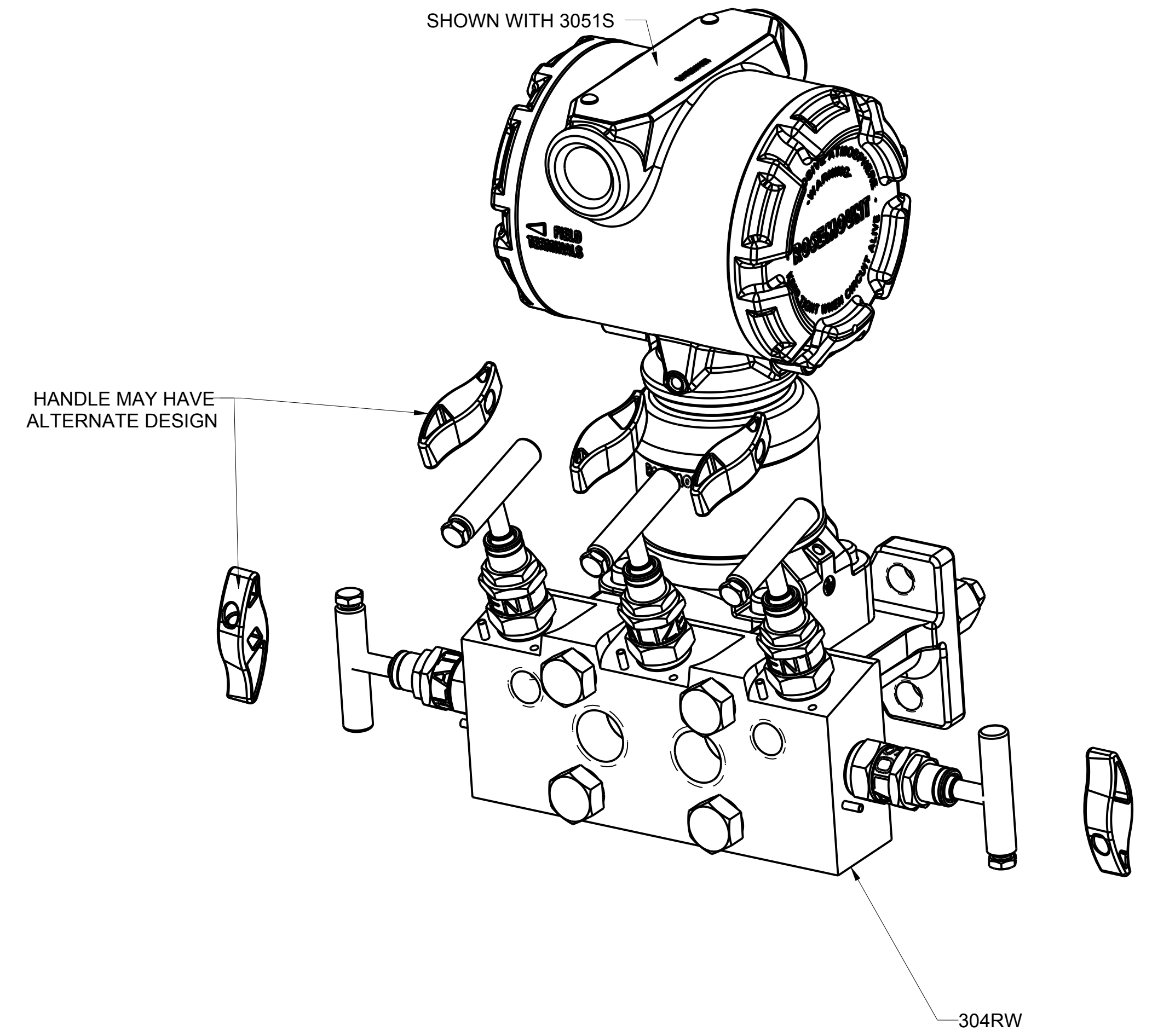
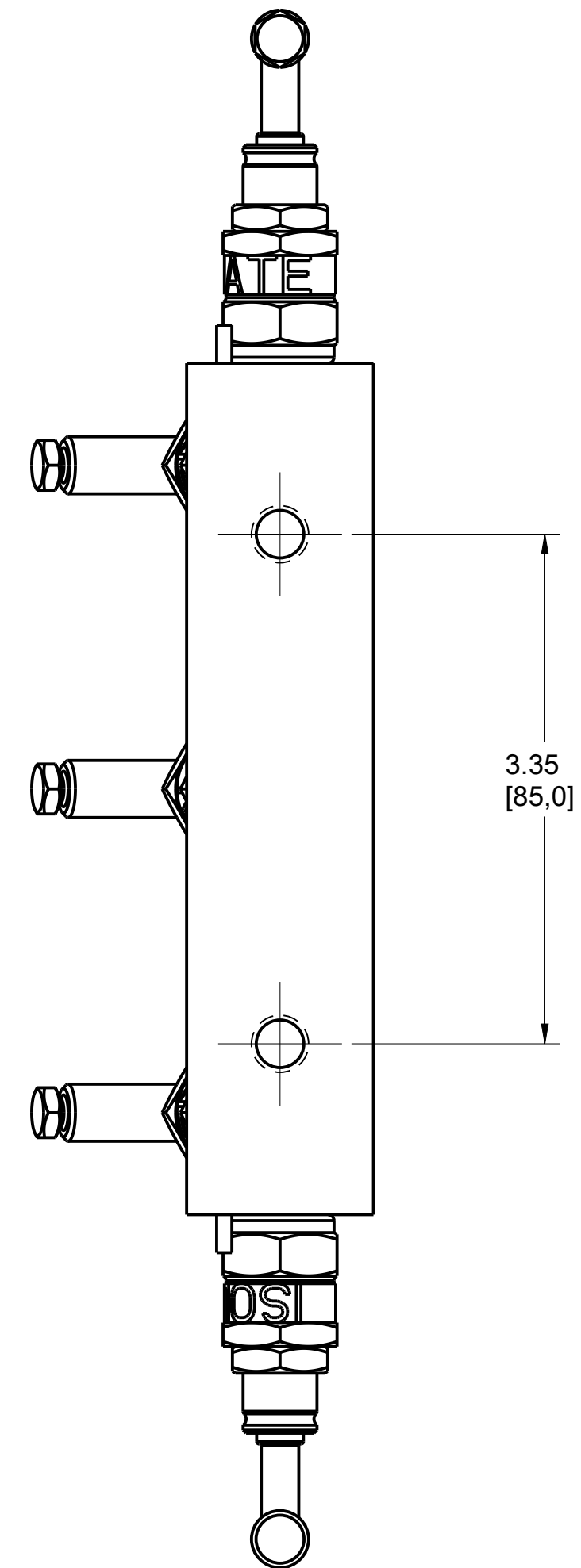
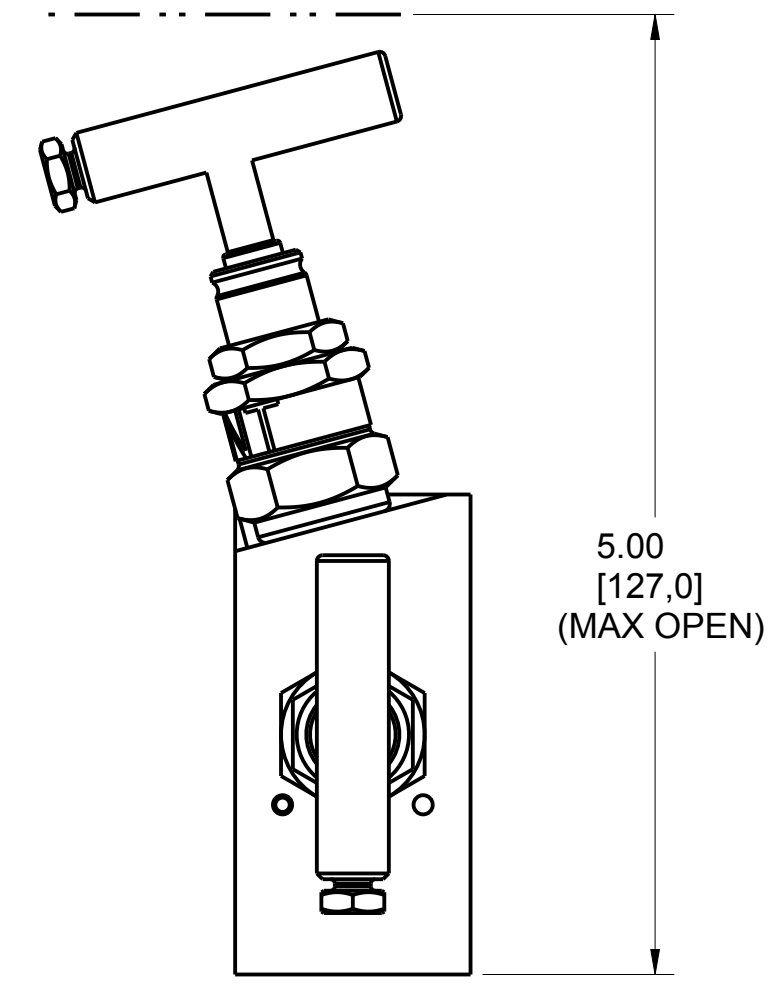
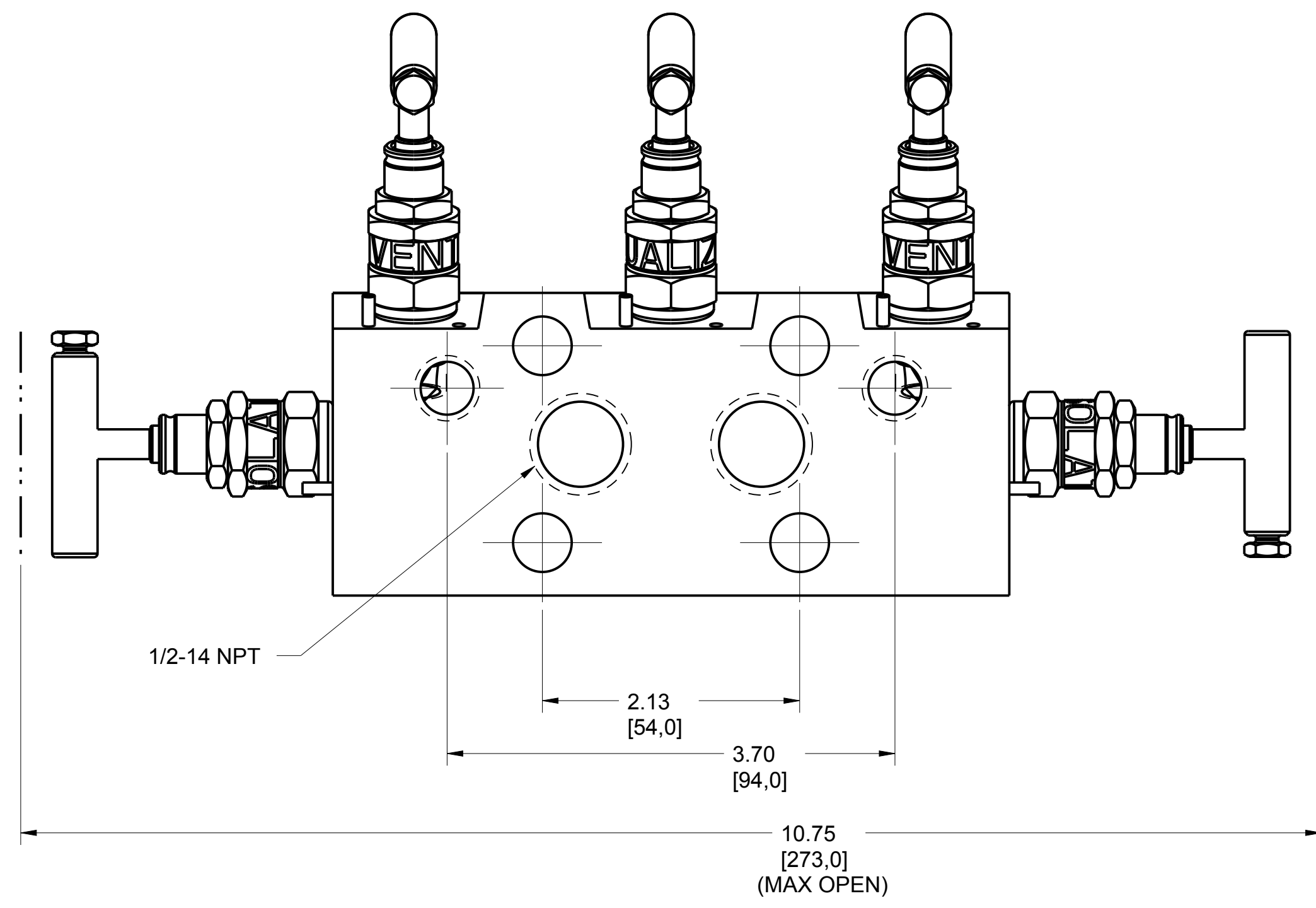
DR. J. ARMSTRONG	9/27/16	DRAWING NO.	
APP'D T. STROTH	9/27/16		00304-0500
CAD MAINTAINED, (PROE)		SHEET 7 OF 8	

3RD ANGLE

SIZE D

SCALE NTS

MODEL 304RW FIVE VALVE WAFER STYLE MANIFOLD



©2015 ROSEMOUNT INC.
ROSEMOUNT INC. CERTIFIES
THIS DRAWING IS MADE IN
ACCORDANCE WITH
ROSEMOUNT ENGINEERING
SPECIFICATIONS.
UNIT NOTES IN INCHES (mm).
REFERENCE ROSEMOUNT
PRODUCT SPECIFICATIONS.
CLICK HERE

EMERSON

TITLE ROSEMOUNT 304 MANIFOLDS
TYPE I DRAWING

DR. J. ARMSTRONG	9/27/16	DRAWING NO.	
APP'D T. STROTH	9/27/16		00304-0500
CAD MAINTAINED, (PROE)			SHEET 8 OF 8

3RD ANGLE

SIZE D

SCALE NTS