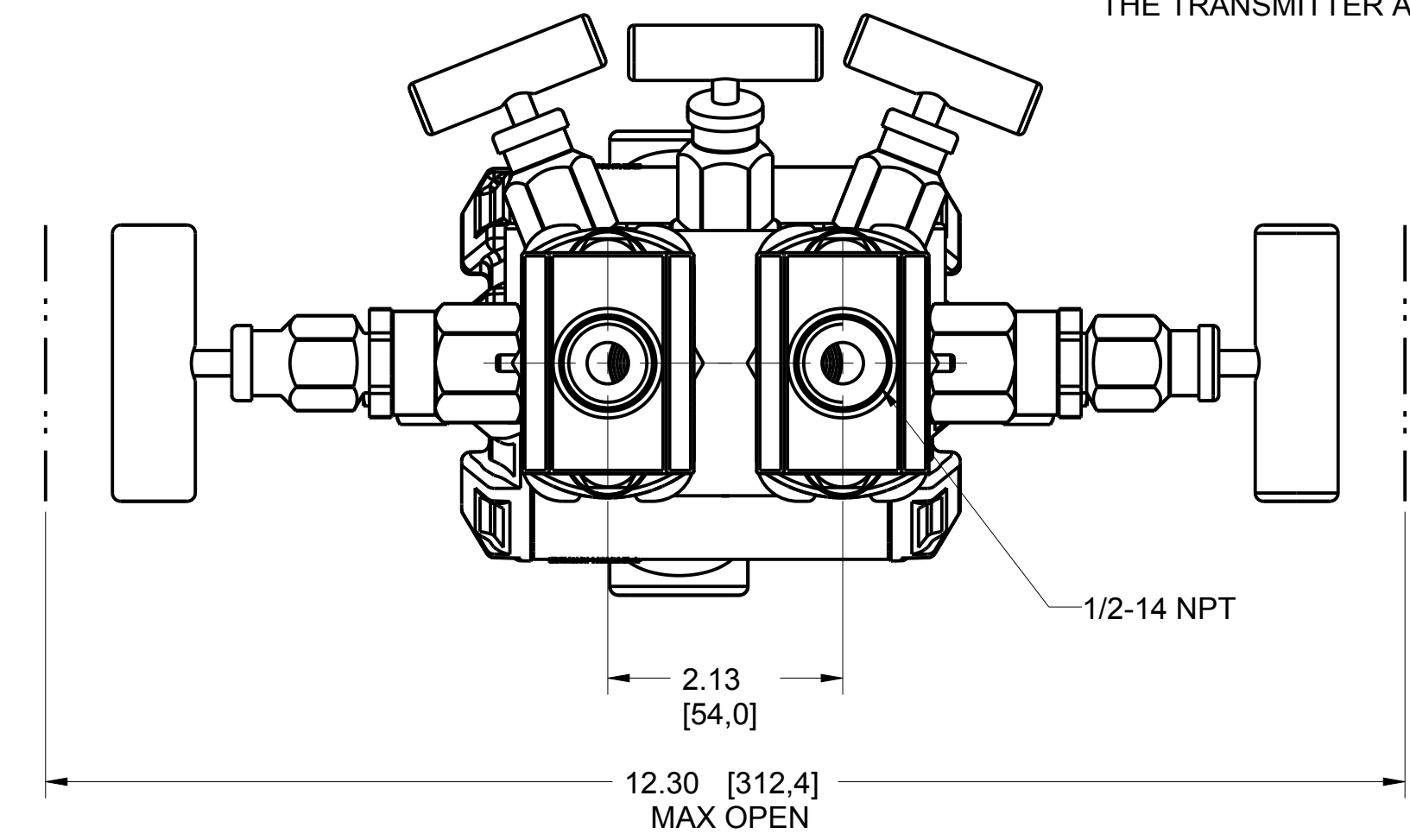
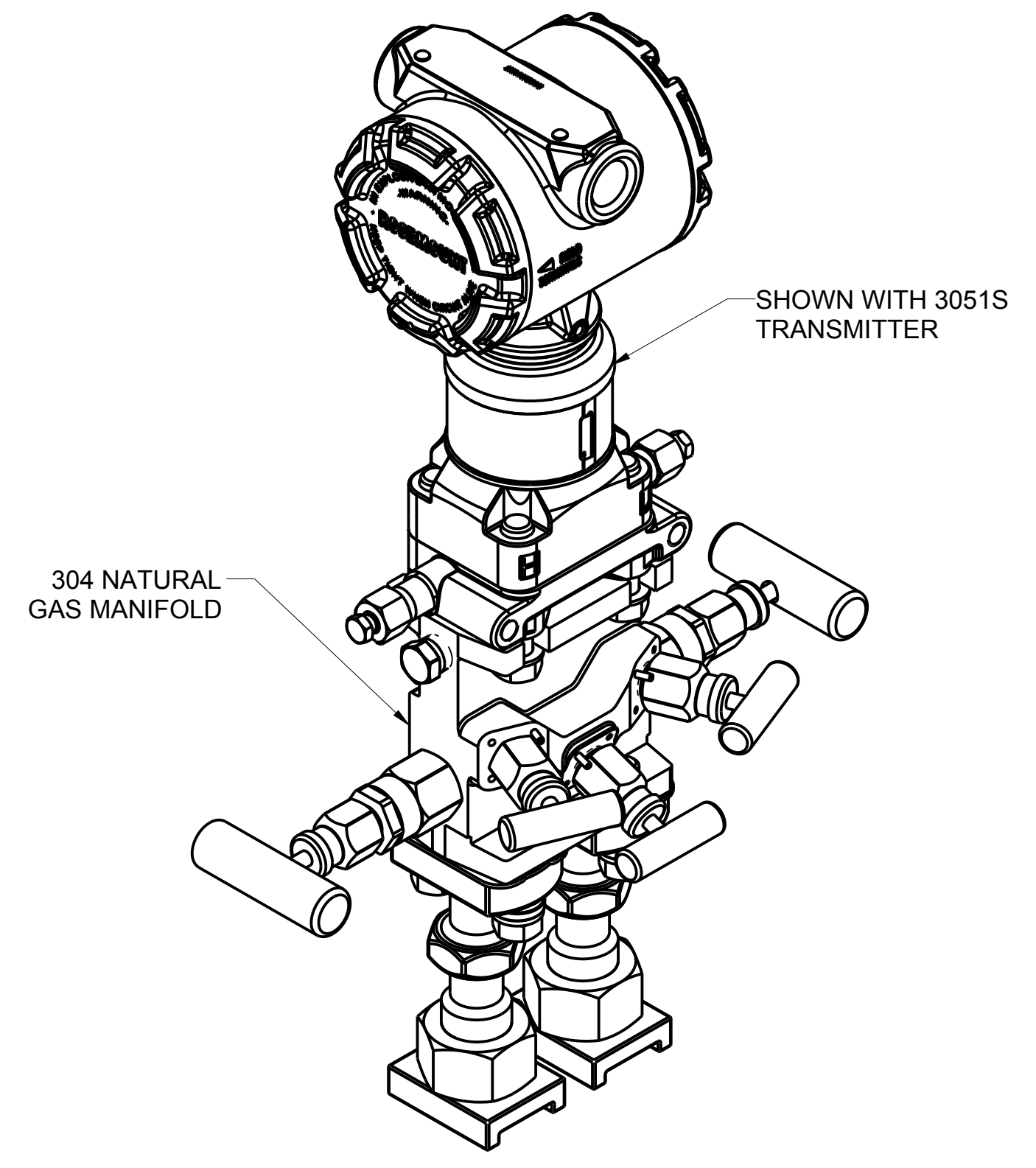
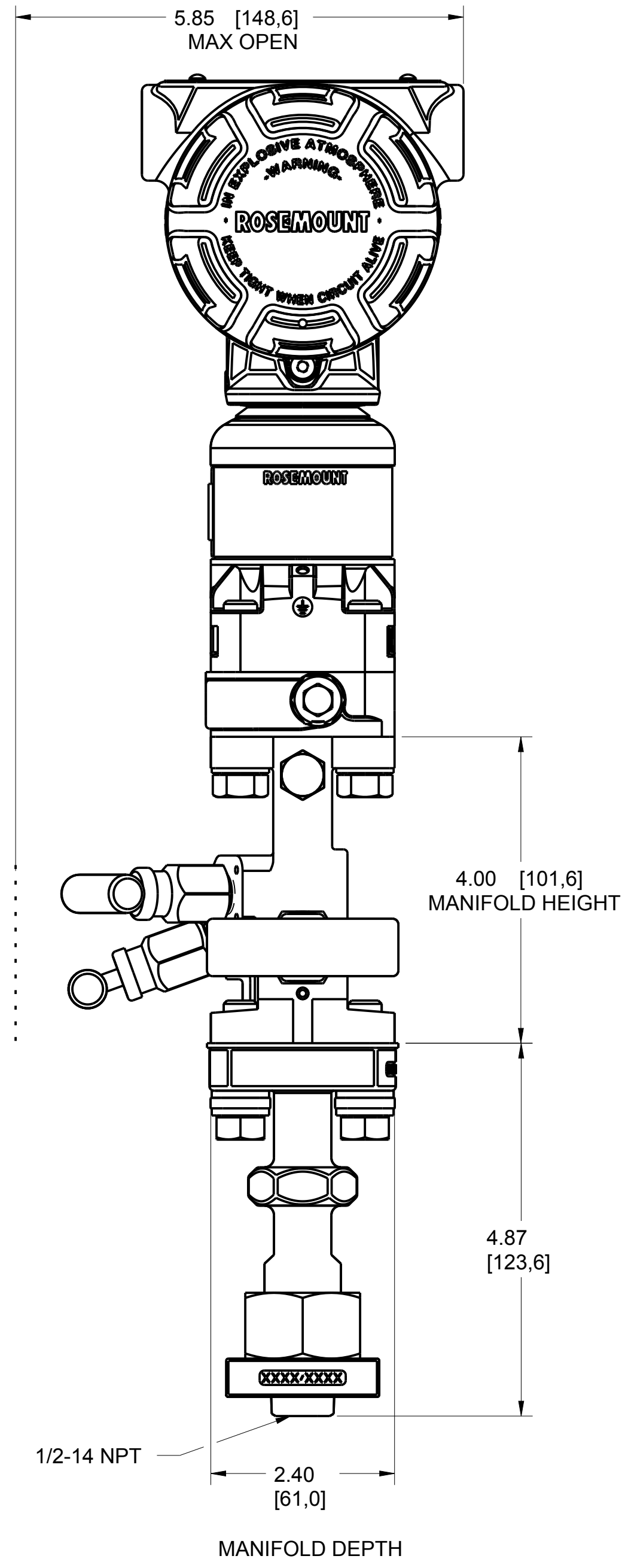
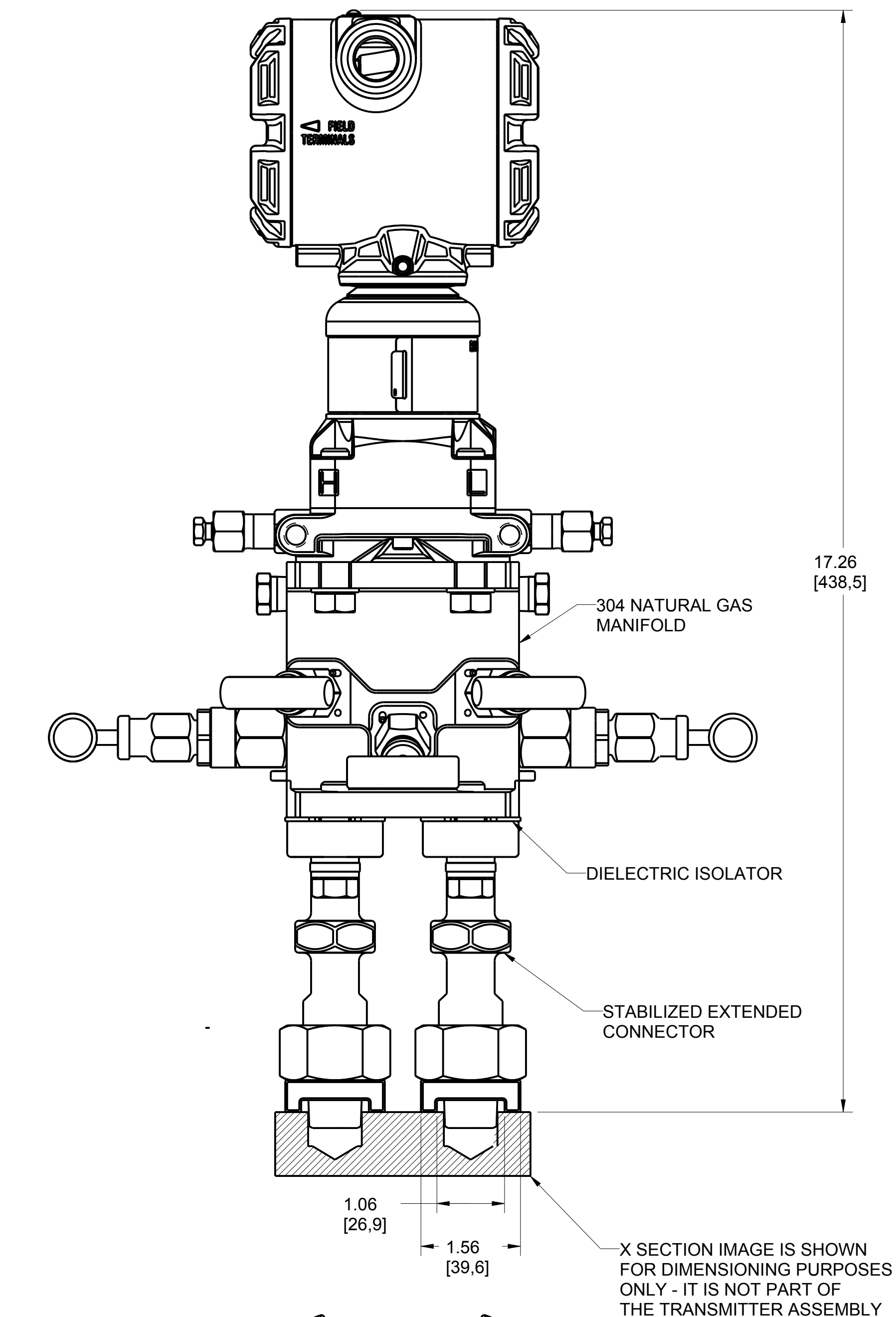


MODEL 304R NATURAL GAS MANIFOLD FOR COPLANAR STYLE TRANSMITTER WITH G2 DIELECTRIC ISOLATORS AND DH STABILIZED EXTENDED CONNECTORS

REVISION TABLE			
REVISION	ECO NO.	APP'D	DATE
AB	RTC1067996	T. STROTH	4/24/17
DESCRIPTION			
UPDATE SPELLING			



©2015 ROSEMOUNT INC. ROSEMOUNT INC. CERTIFIES THIS DRAWING AS BEING IN ACCORDANCE WITH ROSEMOUNT ENGINEERING SPECIFICATIONS. UNIT NOTES IN INCHES (mm). REFERENCE ROSEMOUNT PRODUCT SPECIFICATIONS. CLICK HERE

3RD ANGLE

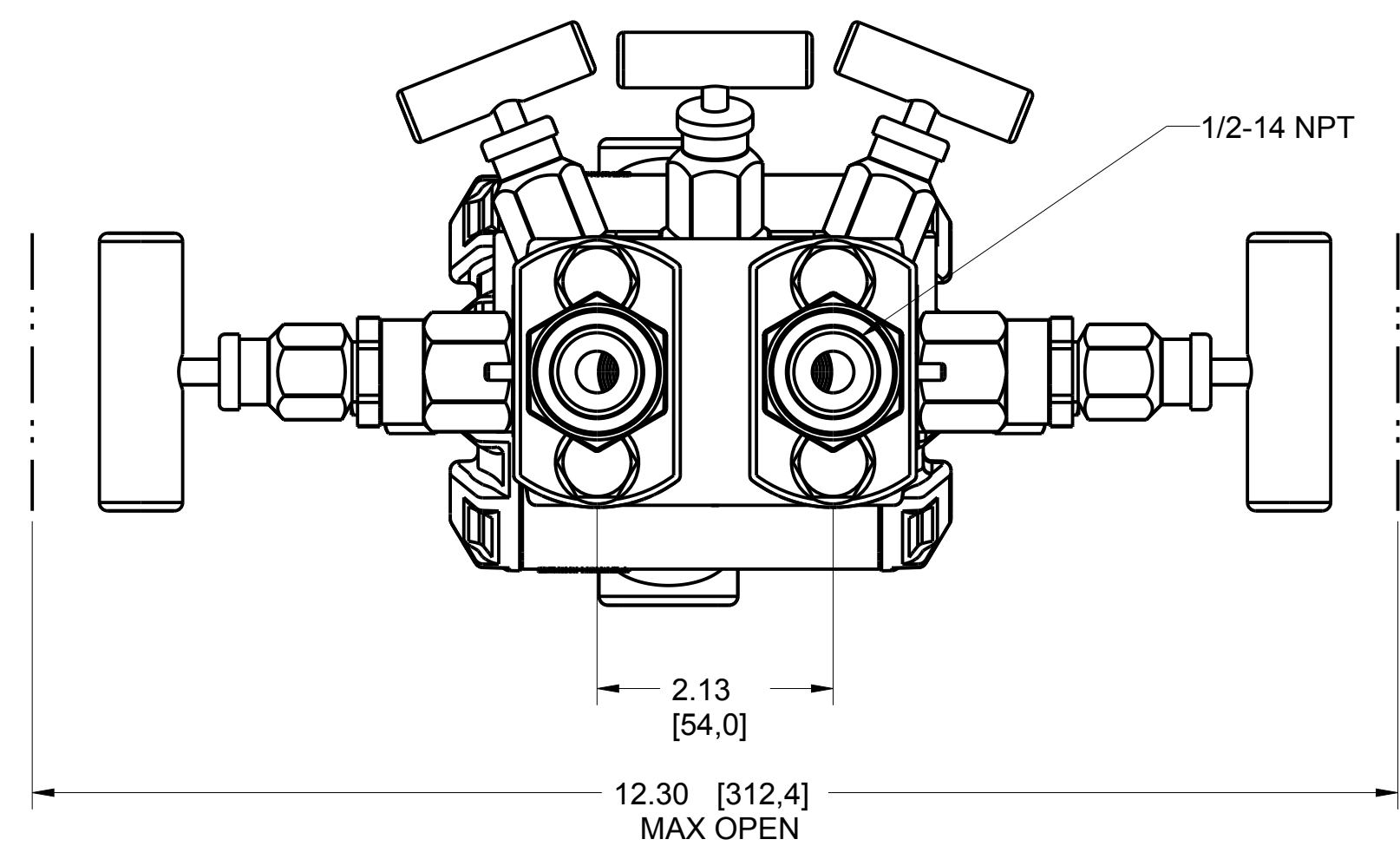
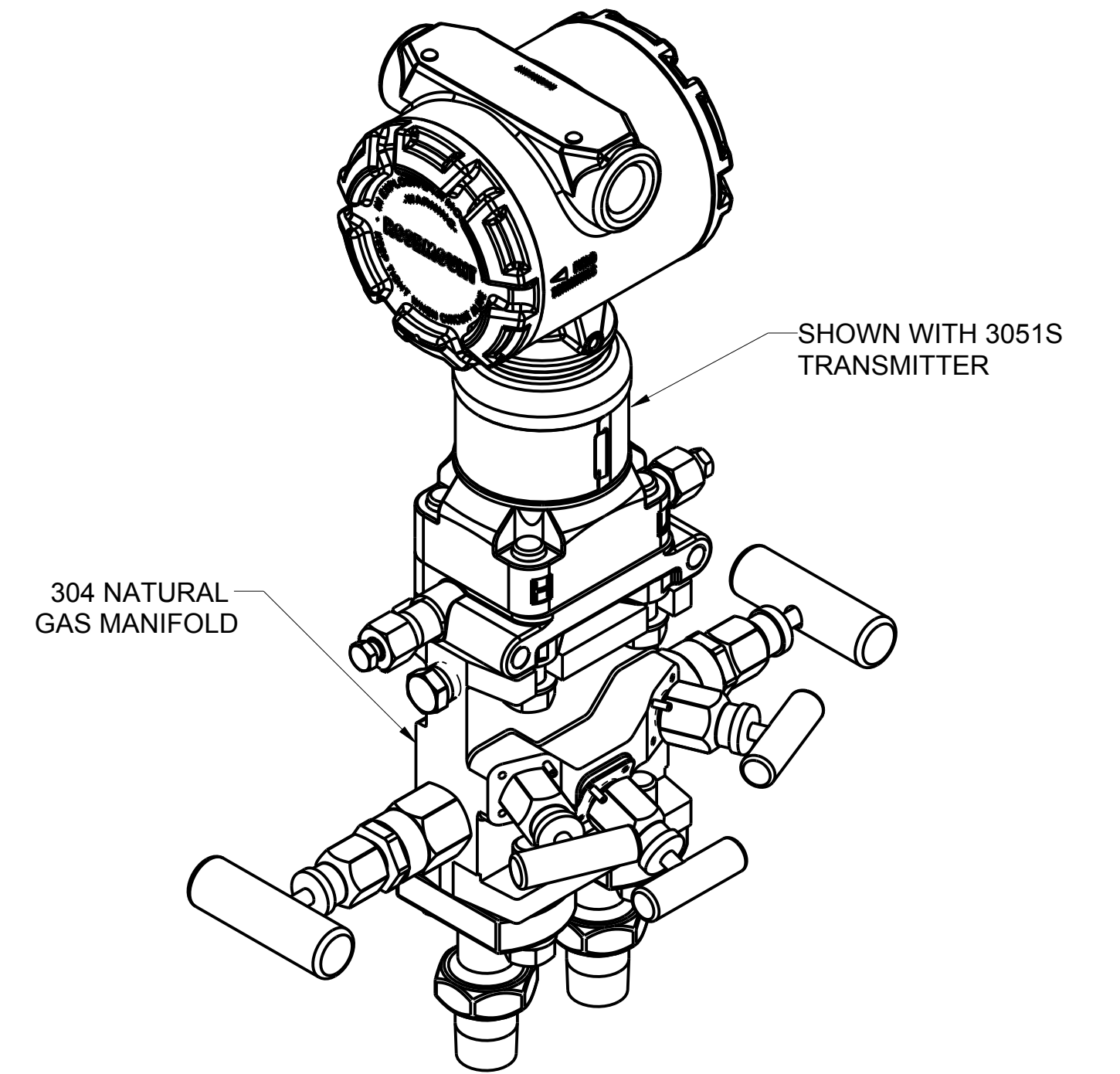
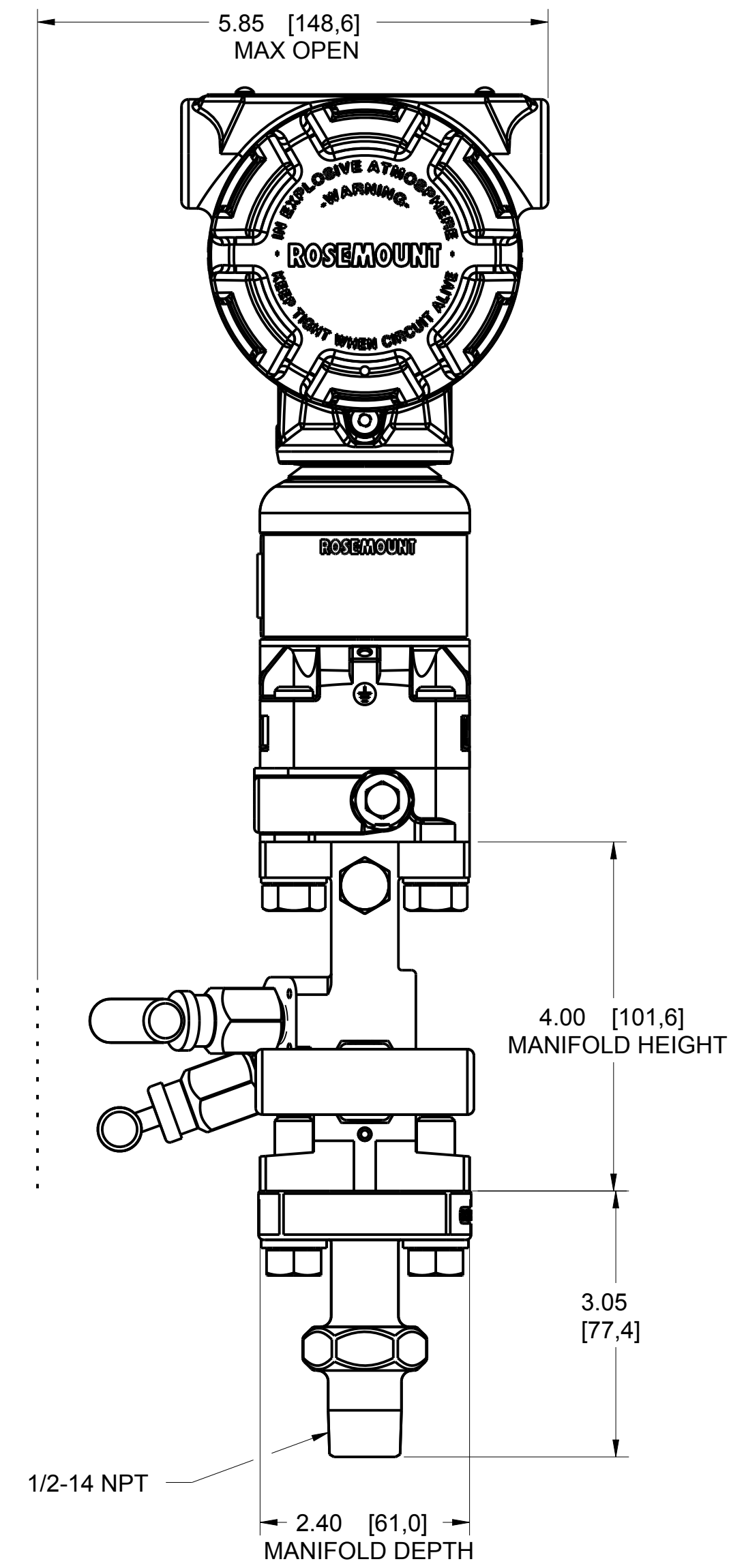
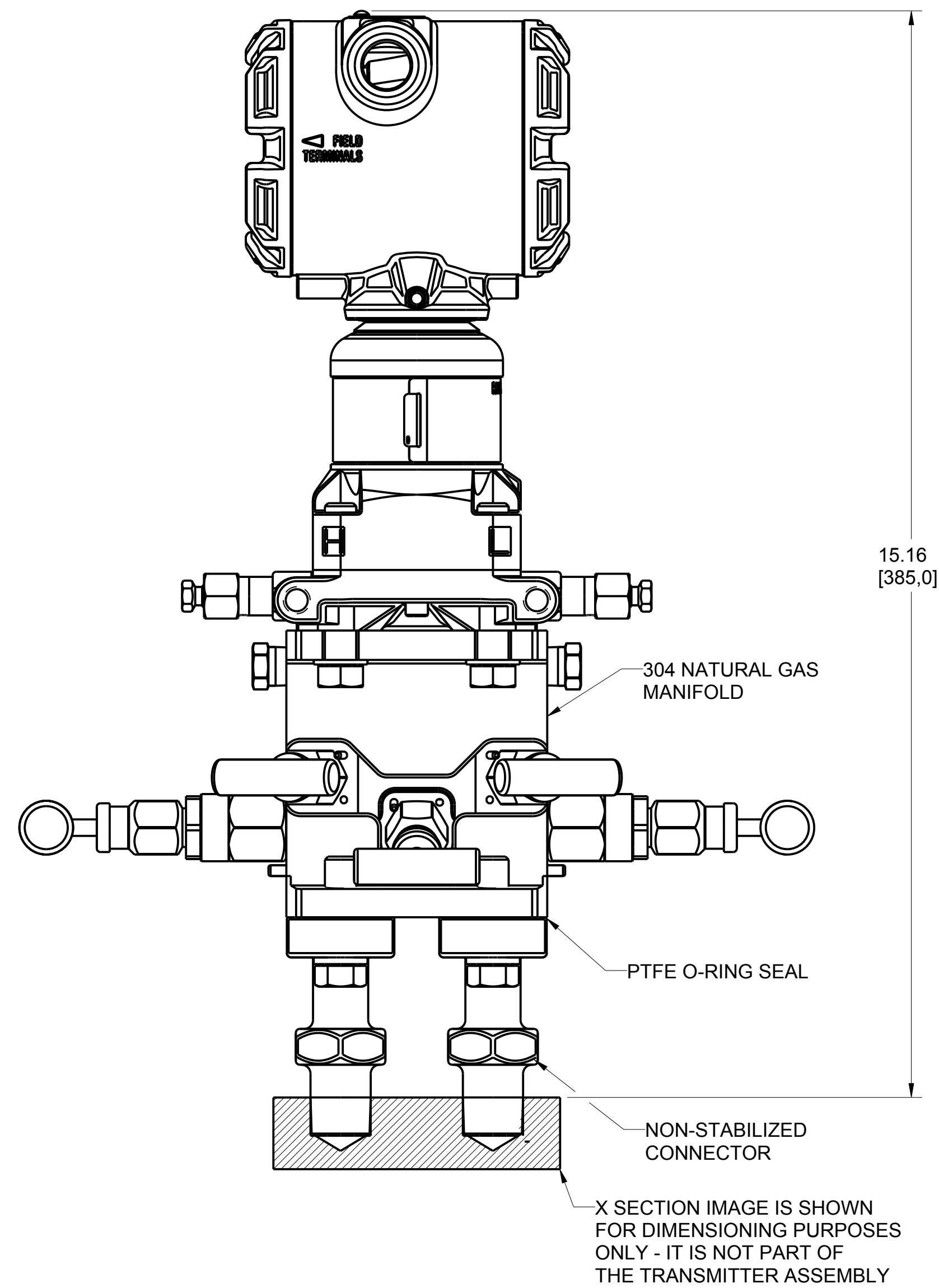
EMERSON

TITLE 304R NATURAL GAS MANIFOLD TYPE I DRAWING

DR. J. ARMSTRONG	9/1/16	DRAWING NO.	00304-0501
APP'D T. STROTH	9/2/16		

CAD MAINTAINED, (PROE) SHEET 1 OF 6

MODEL 304R NATURAL GAS MANIFOLD FOR COPLANAR STYLE TRANSMITTER WITH PTFE O-RING SEALS AND DV NON-STABILIZED CONNECTORS



©2015 ROSEMOUNT INC.
ROSEMOUNT INC. CERTIFIES
THIS DRAWING IS MADE IN
ACCORDANCE WITH THE
ROSEMOUNT ENGINEERING
SPECIFICATIONS.
UNIT NOTES IN INCHES (mm).
REFERENCE ROSEMOUNT
PRODUCT SPECIFICATIONS.
CLICK HERE

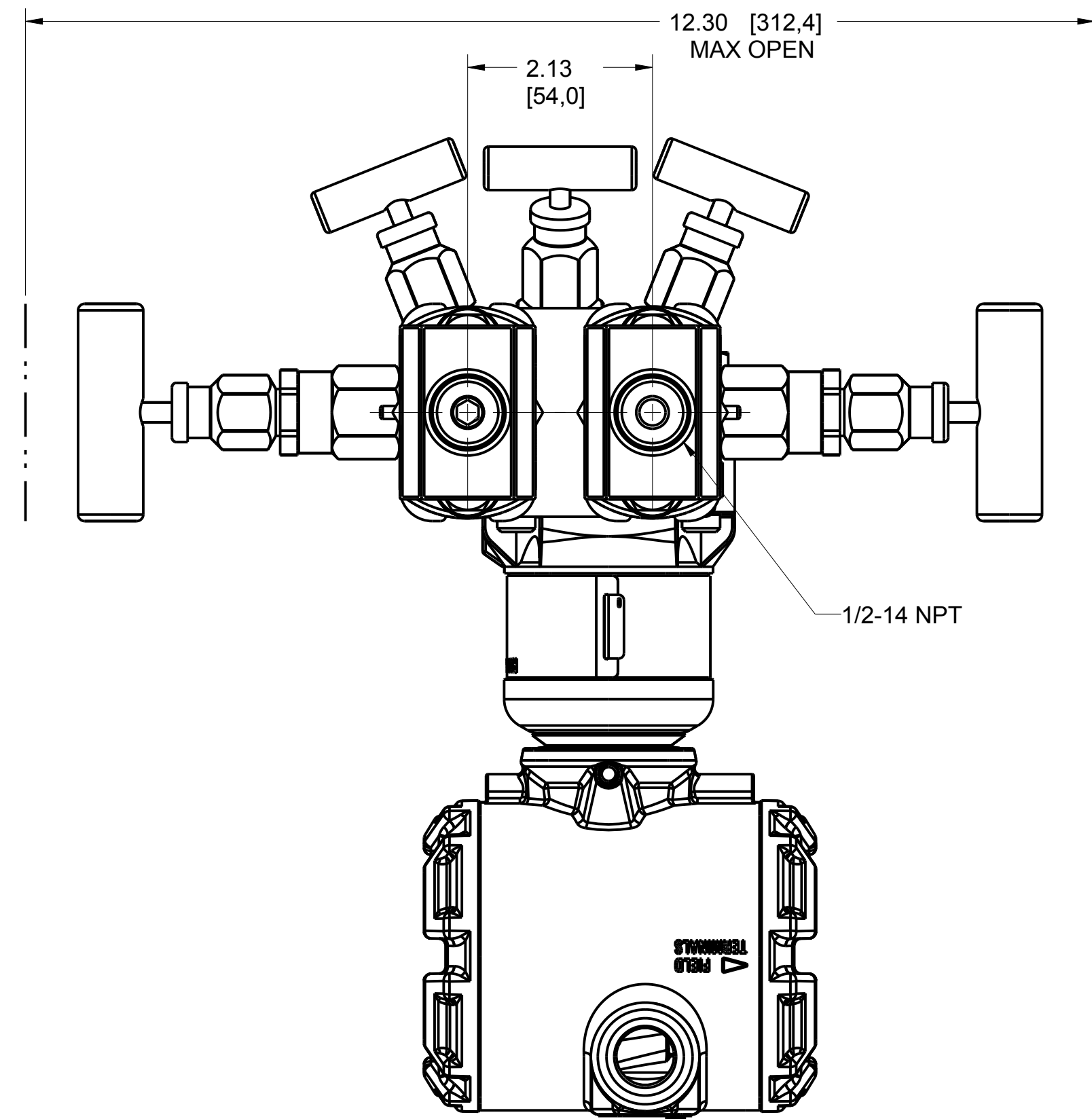
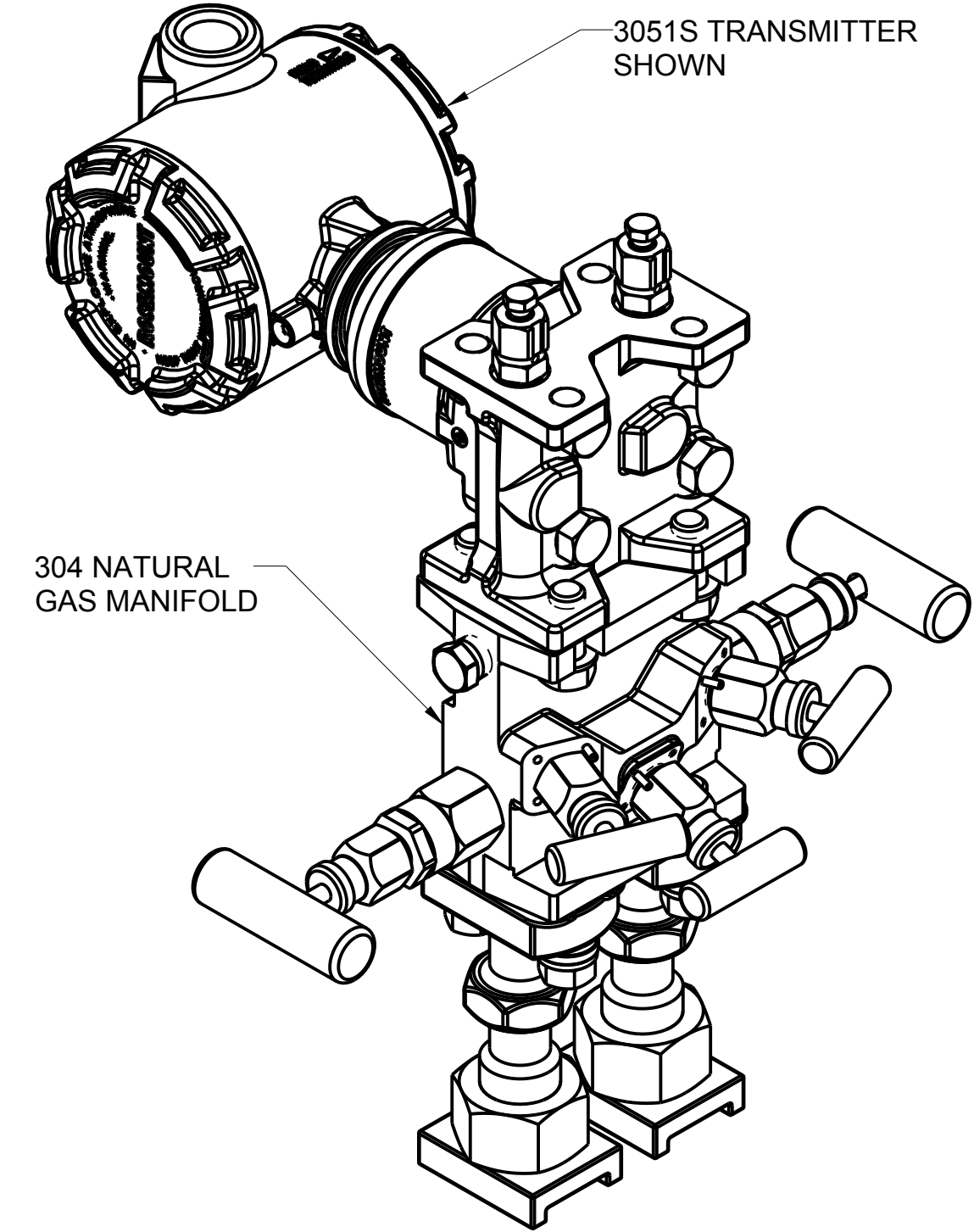
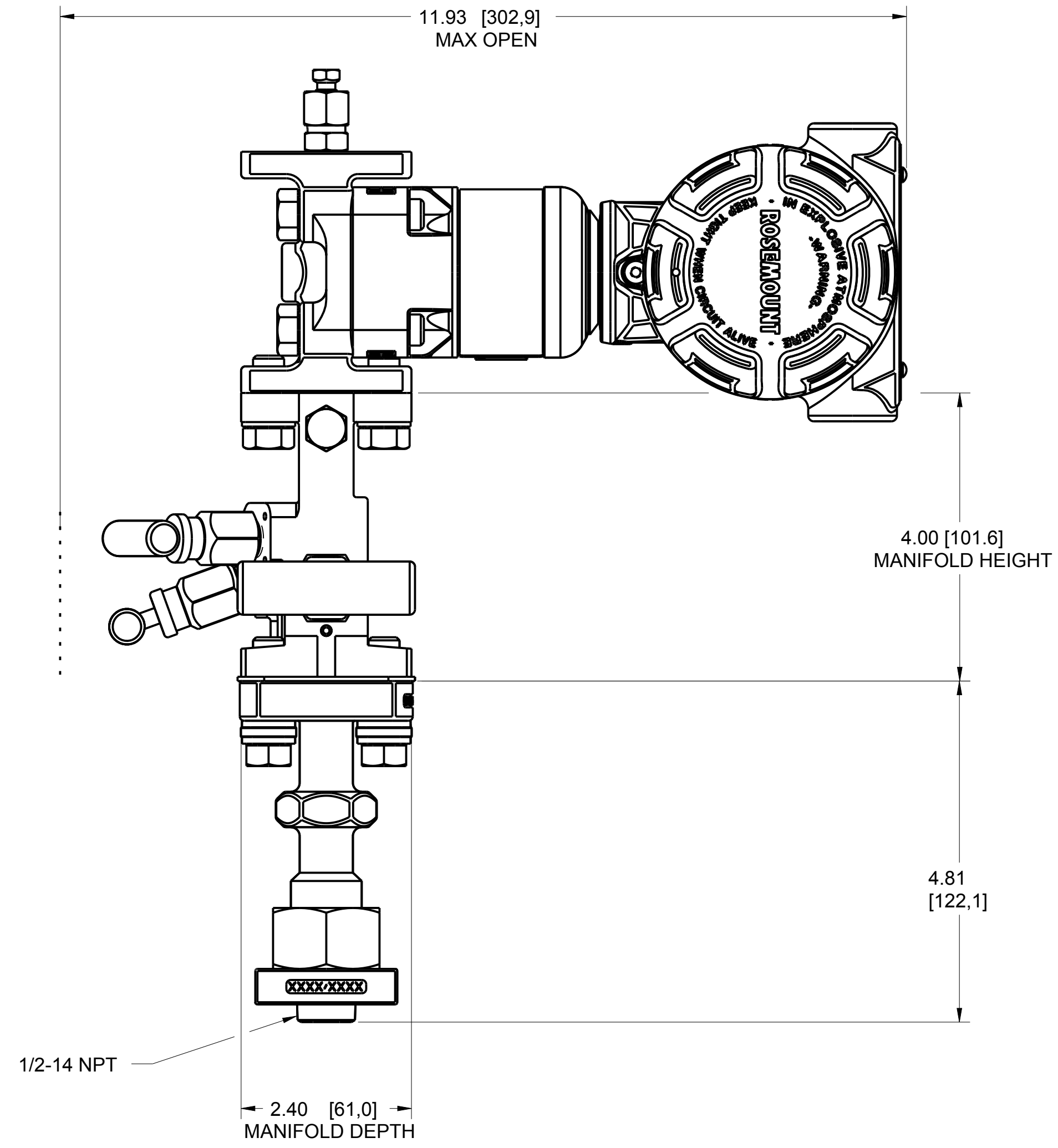
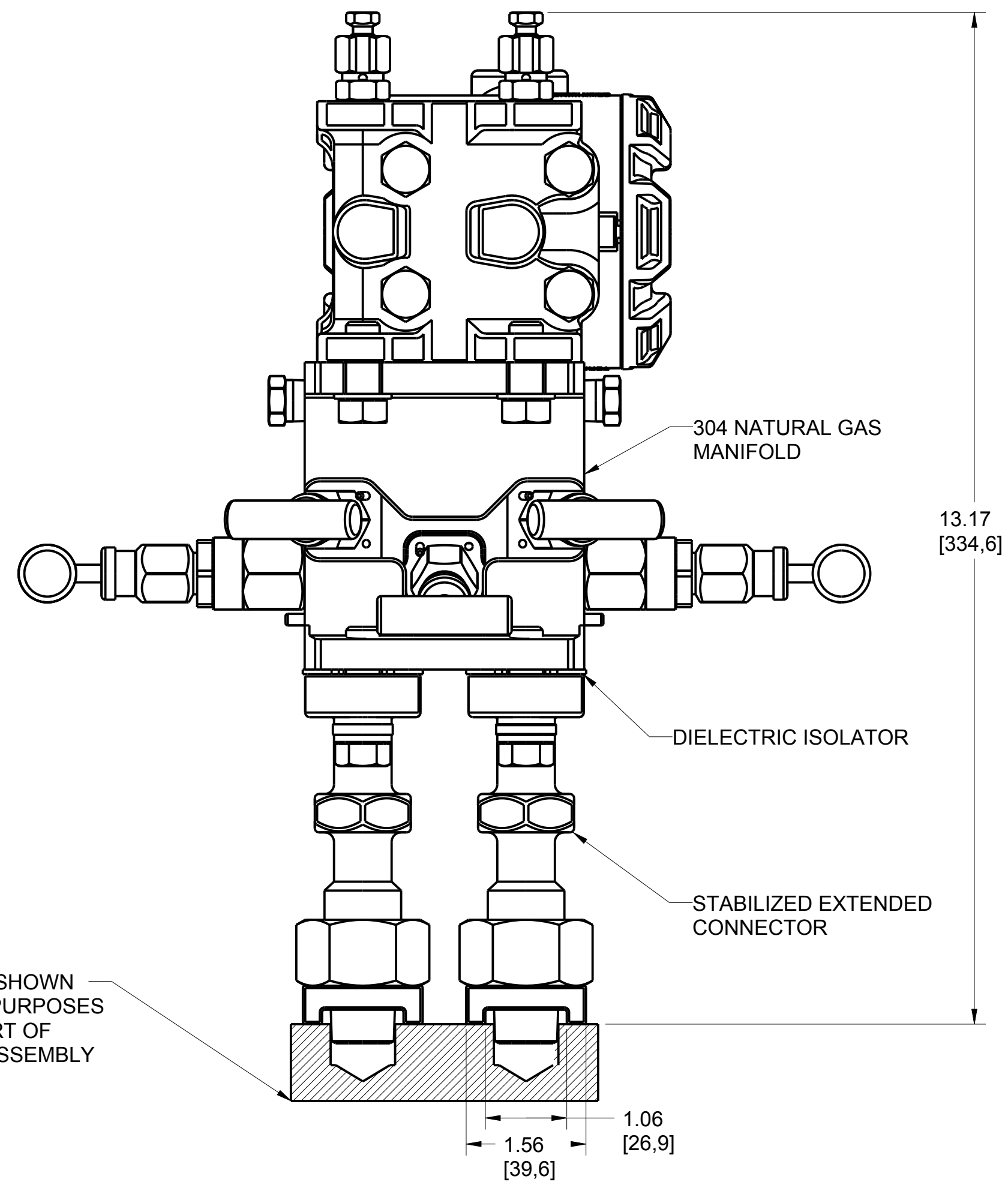
3RD ANGLE

EMERSON

TITLE 304R NATURAL GAS MANIFOLD
TYPE I DRAWING

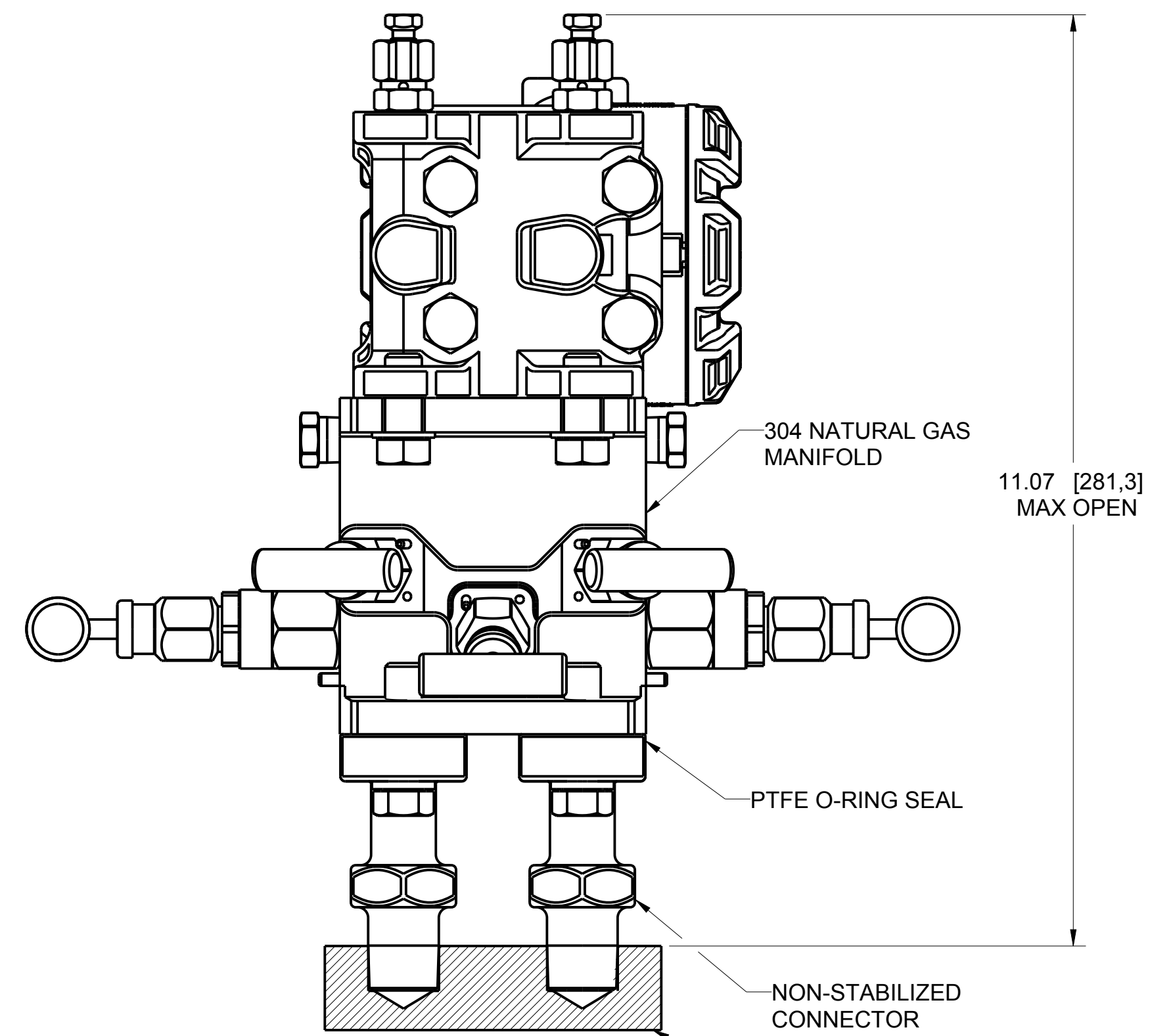
DR. J. ARMSTRONG	9/1/16	DRAWING NO.	
APP'D T. STROTH	9/2/16		00304-0501
CAD MAINTAINED, (PROE)		SHEET 2 OF 6	

MODEL 304R NATURAL GAS MANIFOLD FOR TRADITIONAL STYLE TRANSMITTER
WITH G2 DIELECTRIC ISOLATORS AND DH STABILIZED EXTENDED CONNECTORS

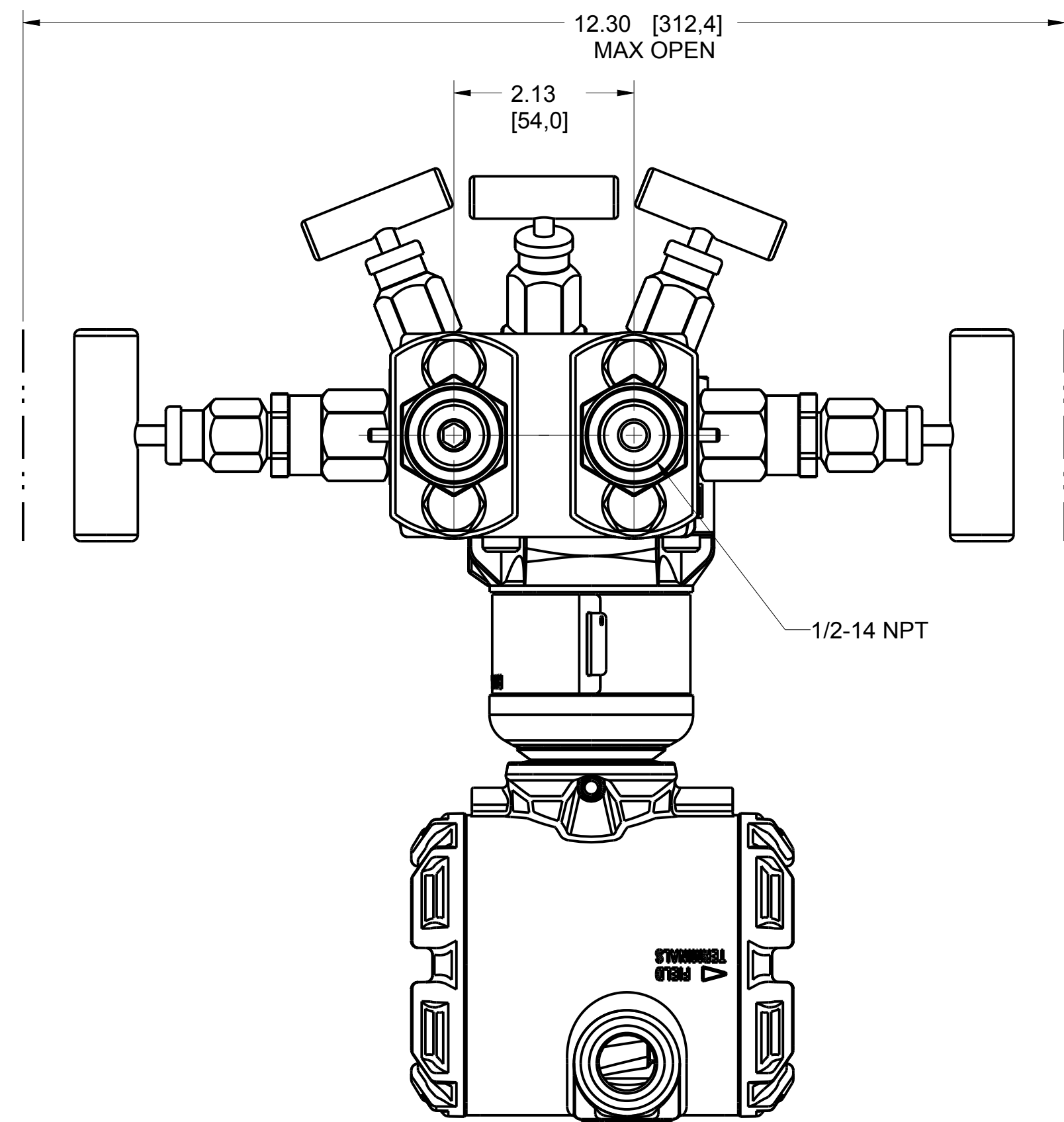
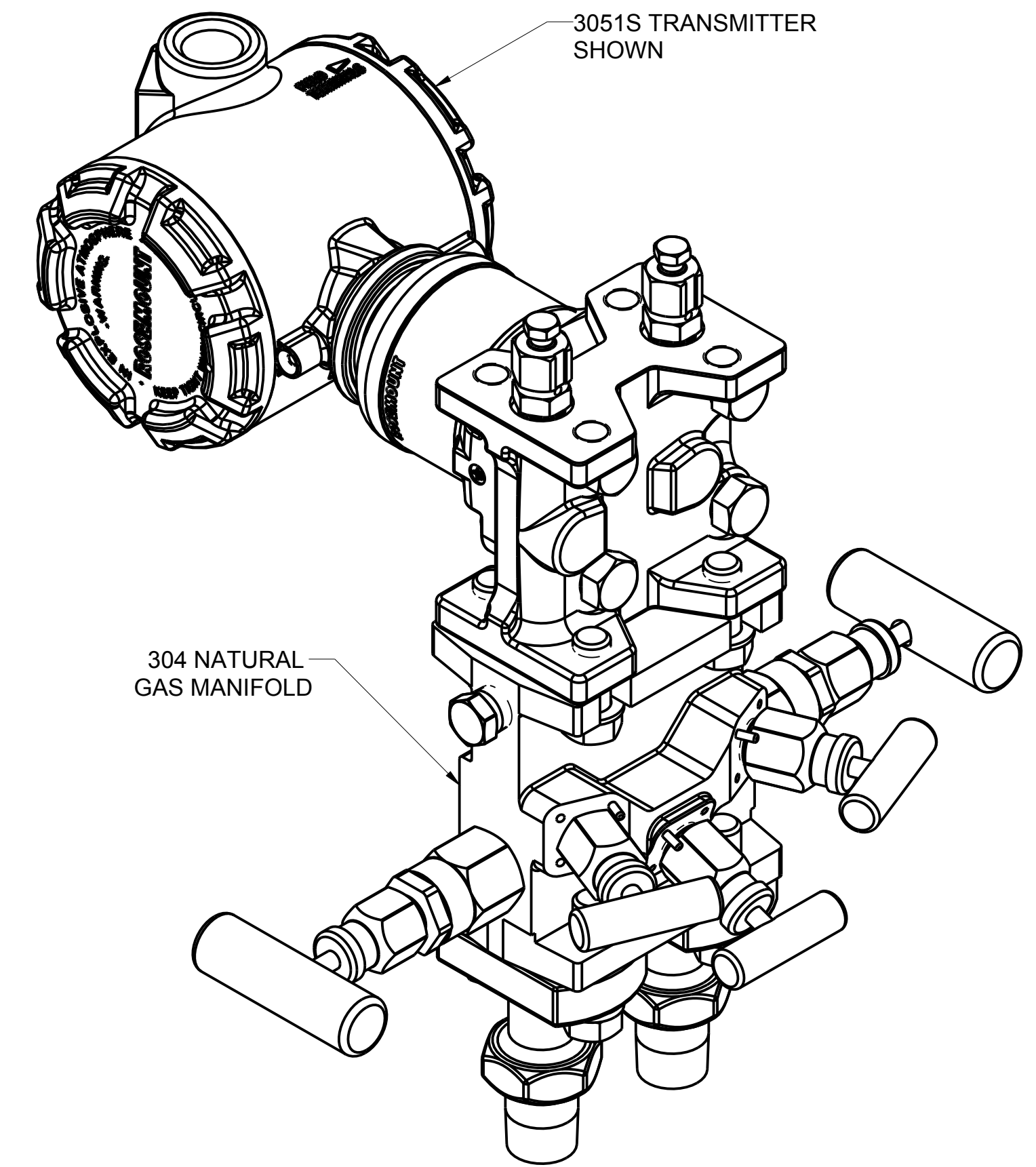
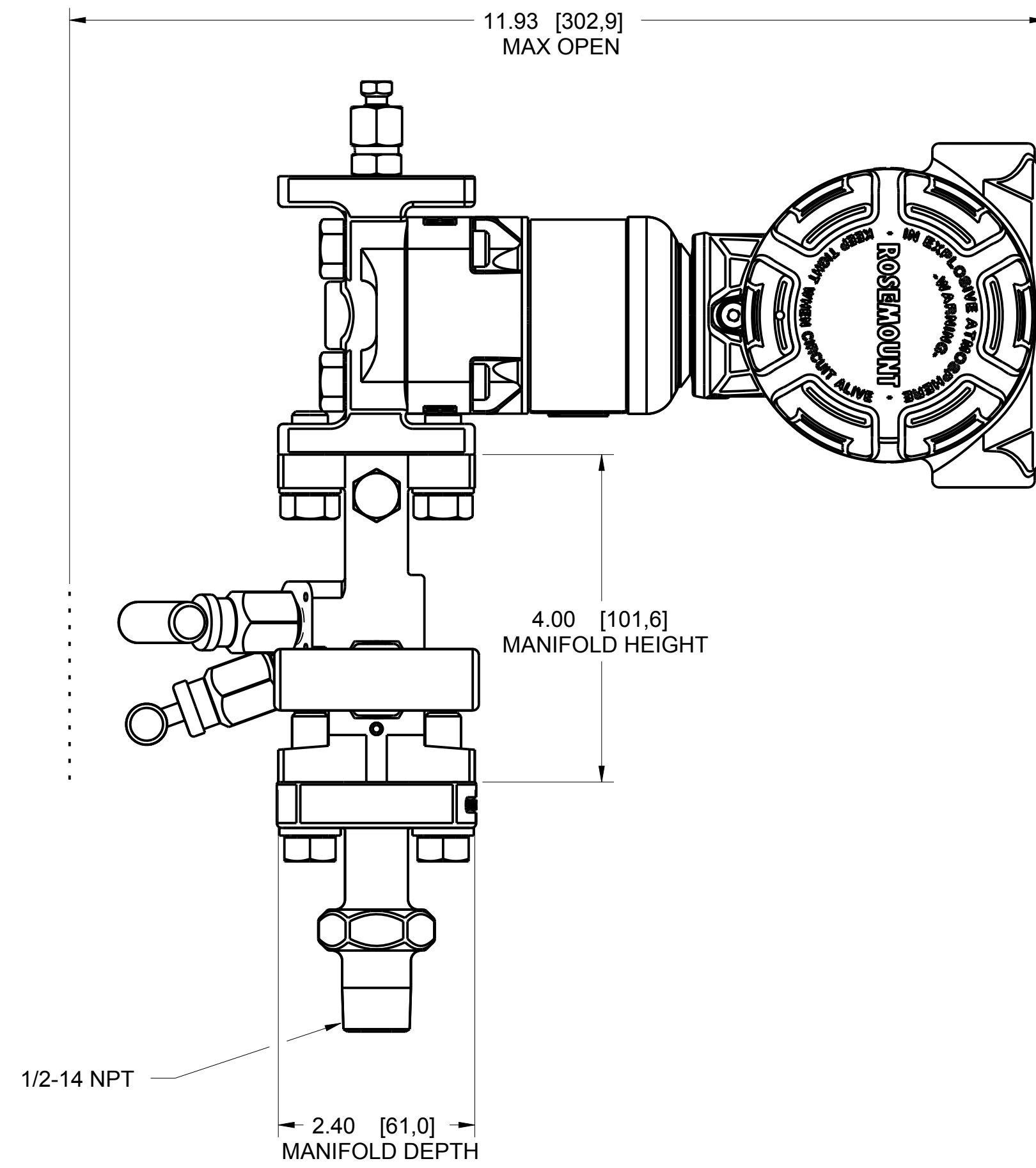


©2015 ROSEMOUNT INC. ROSEMOUNT INC. CERTIFIES THIS PRODUCT TO THE REQUIREMENTS OF THE STANDARD IN ACCORDANCE WITH ROSEMOUNT ENGINEERING SPECIFICATIONS. UNIT NOTES IN INCHES (mm). REFERENCE ROSEMOUNT PRODUCT SPECIFICATIONS. CLICK HERE	3RD ANGLE	SIZE D	SCALE NTS
	TITLE 304R NATURAL GAS MANIFOLD TYPE I DRAWING		
	DR. J. ARMSTRONG 9/1/16 APP'D T. STROTH 9/2/16	DRAWING NO. 00304-0501	
CAD MAINTAINED, (PROE)		SHEET 3 OF 6	

MODEL 304R NATURAL GAS MANIFOLD FOR TRADITIONAL STYLE TRANSMITTER
WITH PTFE O-RING SEALS AND DV NON-STABILIZED CONNECTORS

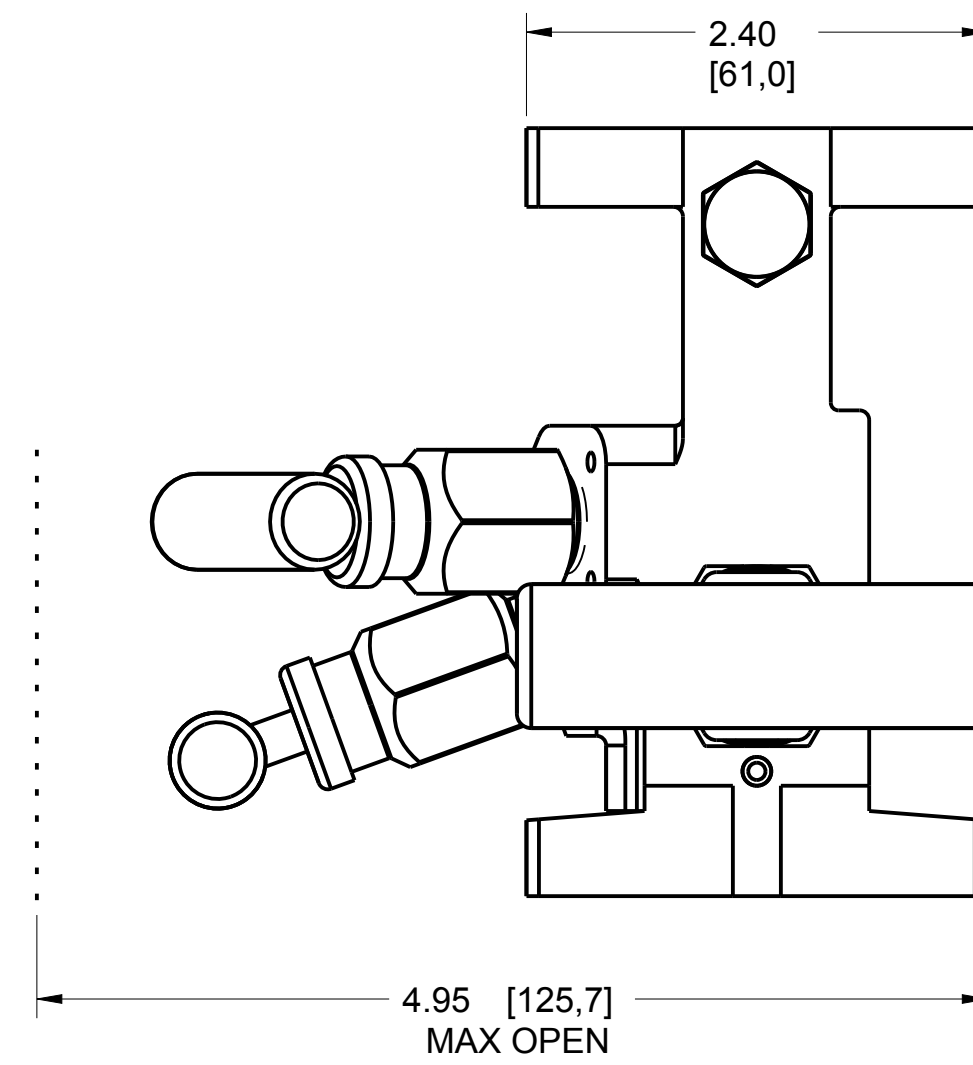
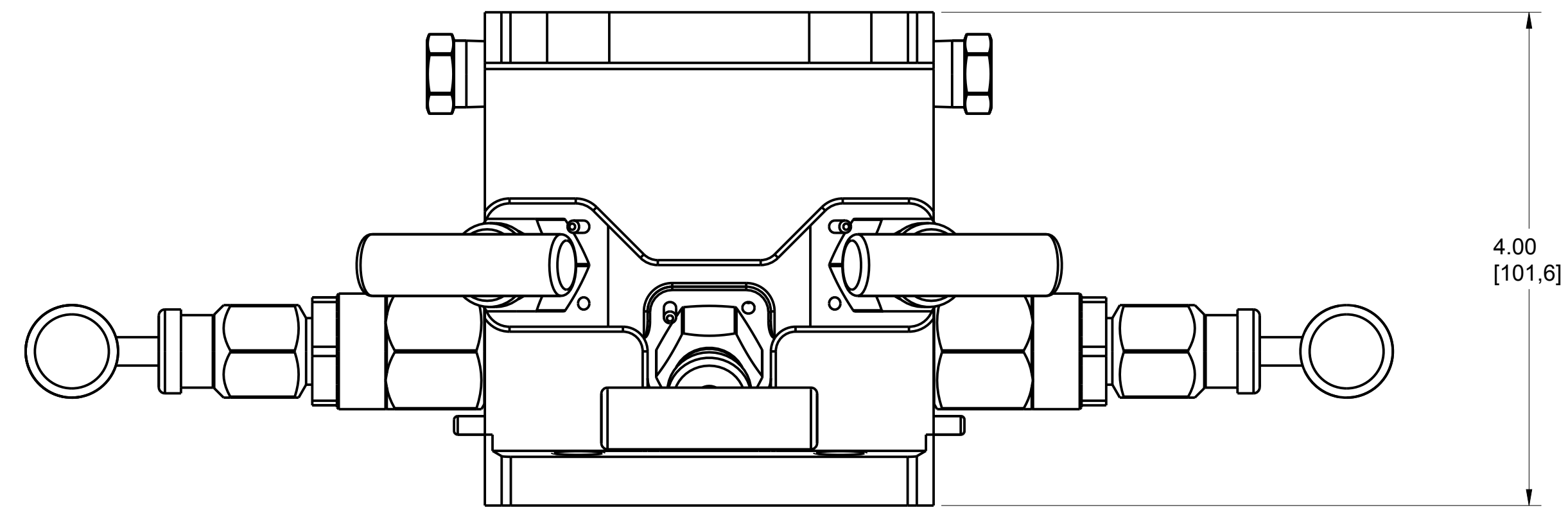
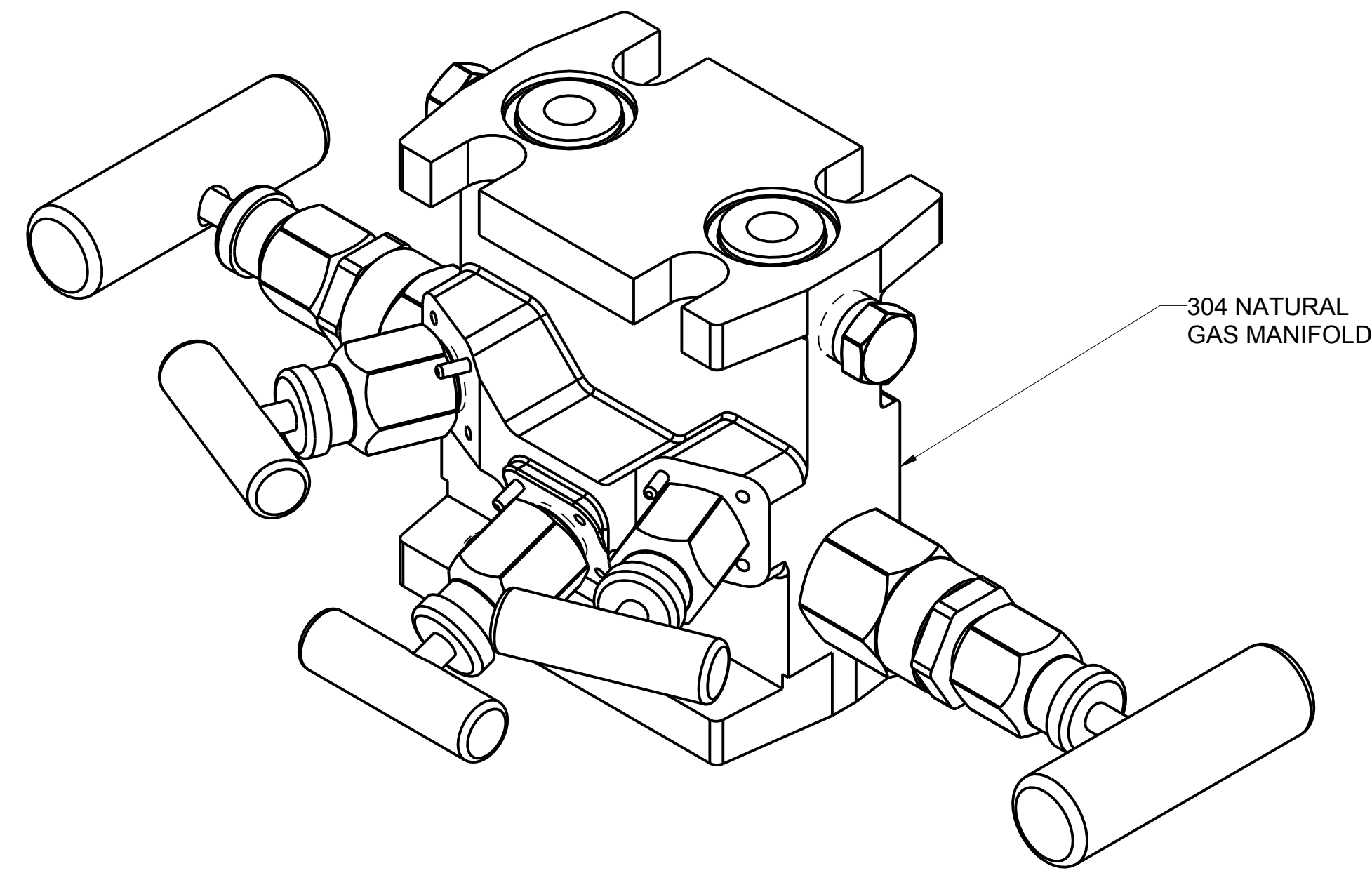
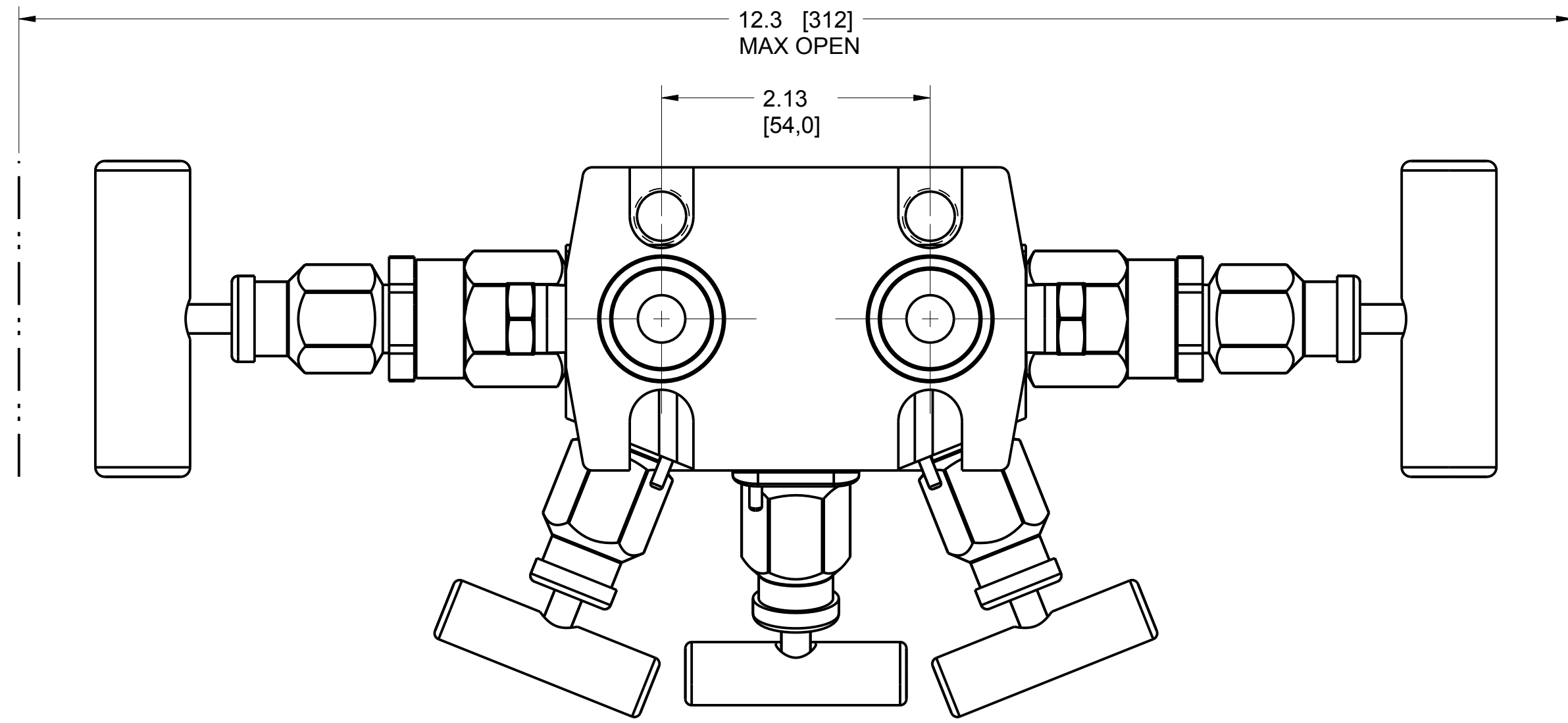


X SECTION IMAGE IS SHOWN FOR DIMENSIONING PURPOSES ONLY - IT IS NOT PART OF THE TRANSMITTER ASSEMBLY



©2015 ROSEMOUNT INC. ROSEMOUNT INC. CERTIFIES THIS DRAWING TO BE IN ACCORDANCE WITH ROSEMOUNT ENGINEERING SPECIFICATIONS. UNIT NOTES IN INCHES (mm). REFERENCE ROSEMOUNT PRODUCT SPECIFICATIONS. CLICK HERE	3RD ANGLE	SIZE D	SCALE NTS
	TITLE 304R NATURAL GAS MANIFOLD TYPE I DRAWING		
	DR. J. ARMSTRONG 9/1/16 APP'D T. STROTH 9/2/16	DRAWING NO. 00304-0501	
CAD MAINTAINED, (PROE)		SHEET 4 OF 6	

MODEL 304R NATURAL GAS MANIFOLD FIVE VALVE CONVENTIONAL STYLE
FLANGE BY FLANGE



©2015 ROSEMOUNT INC.
ROSEMOUNT INC. CERTIFIES
THIS DRAWING IS MADE IN
ACCORDANCE WITH
ROSEMOUNT ENGINEERING
SPECIFICATIONS.
UNIT NOTES IN INCHES (mm).
REFERENCE ROSEMOUNT
PRODUCT SPECIFICATIONS.
CLICK HERE

3RD ANGLE

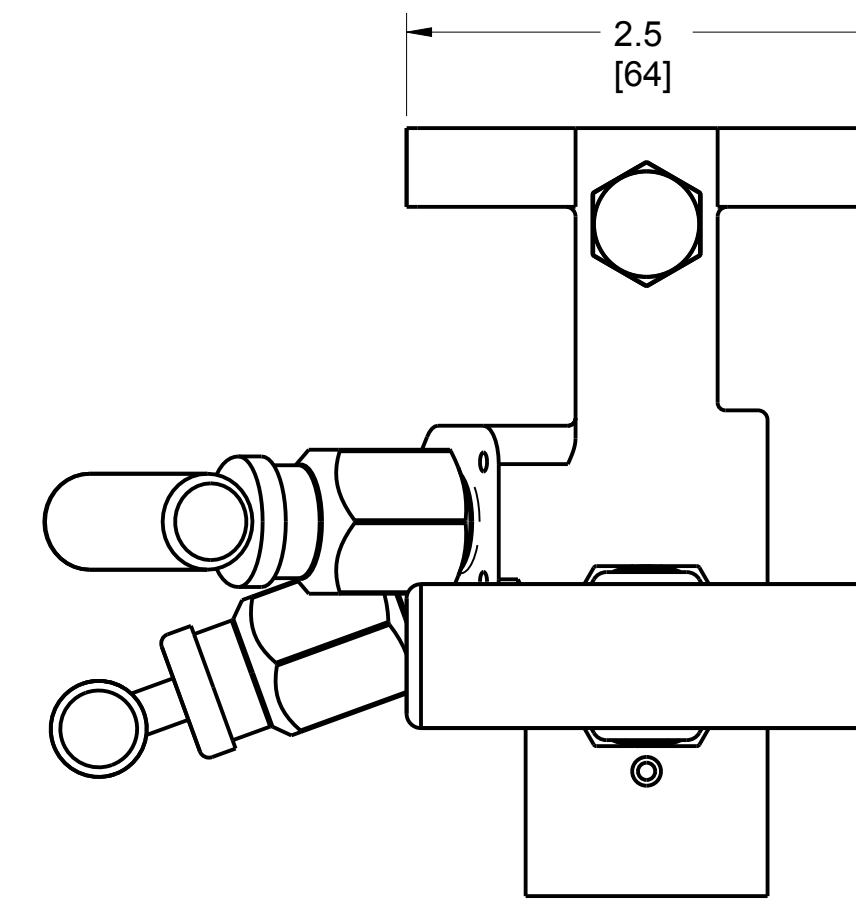
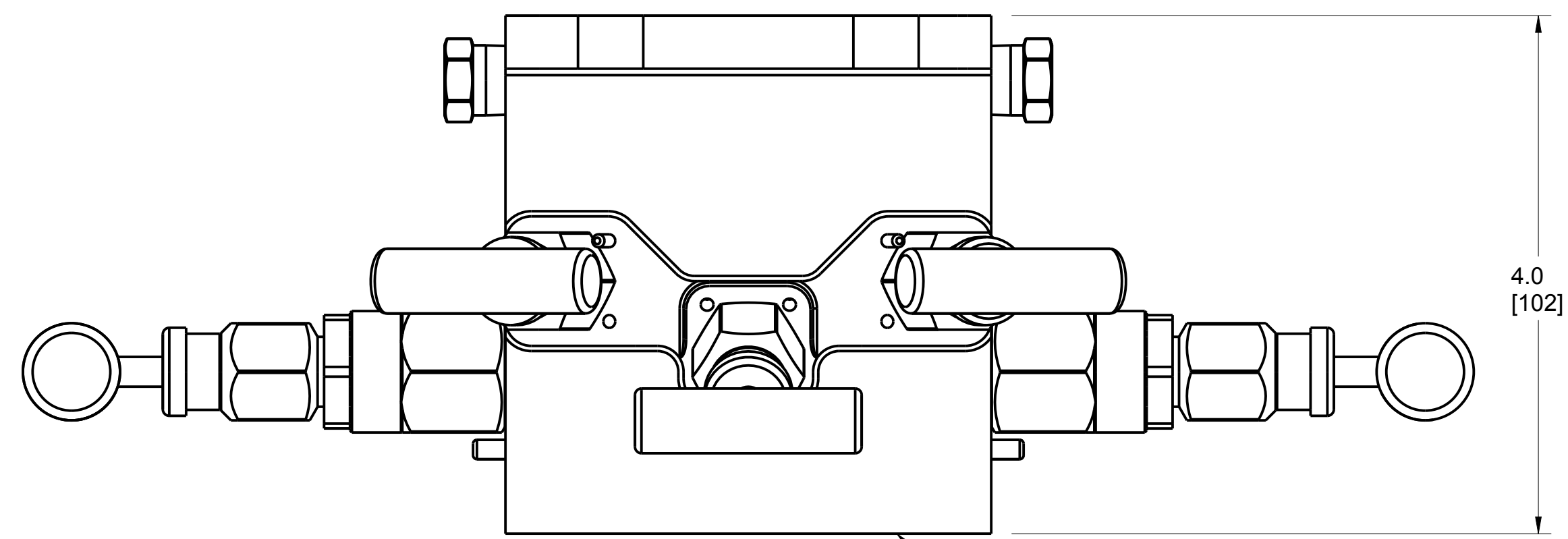
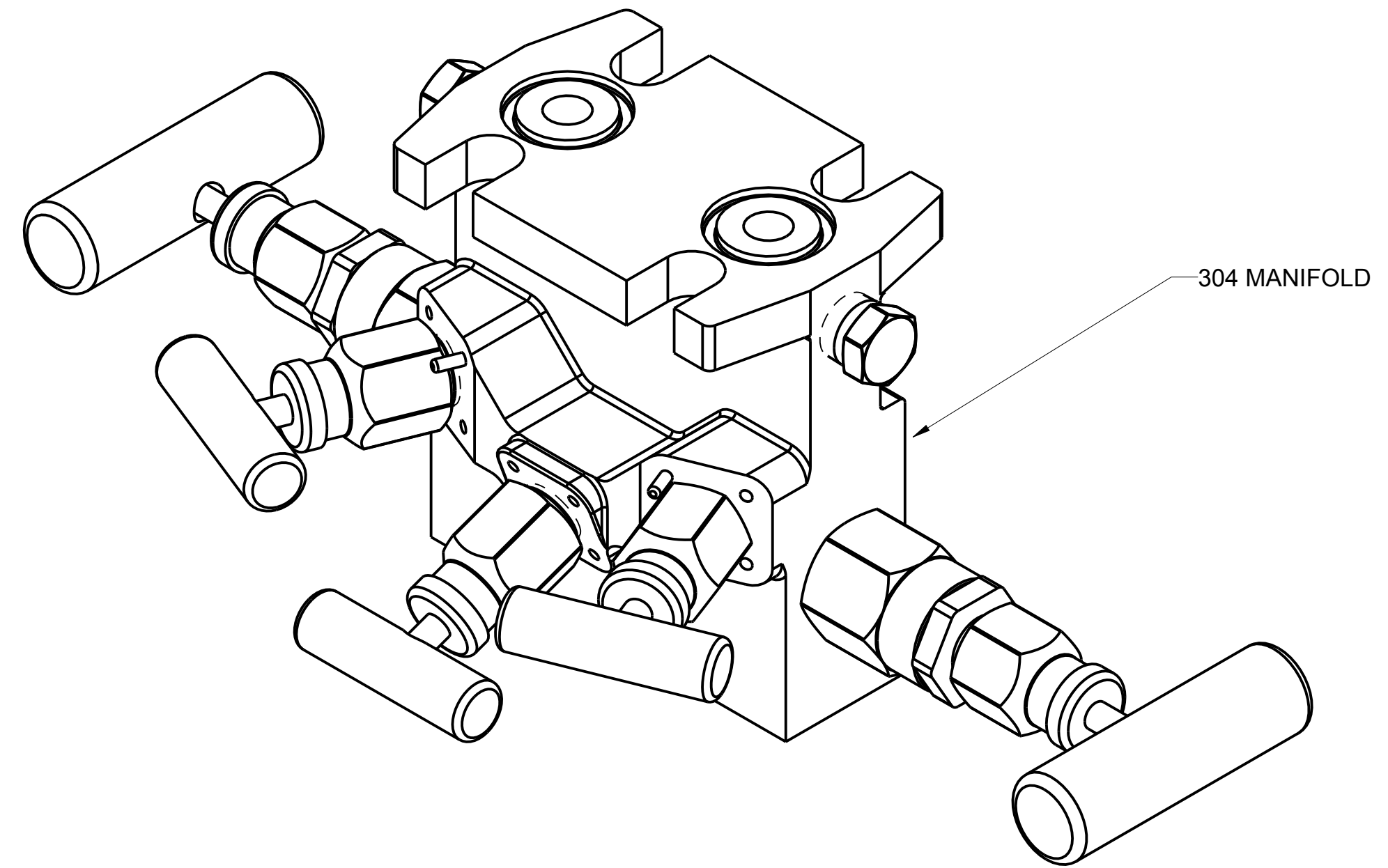
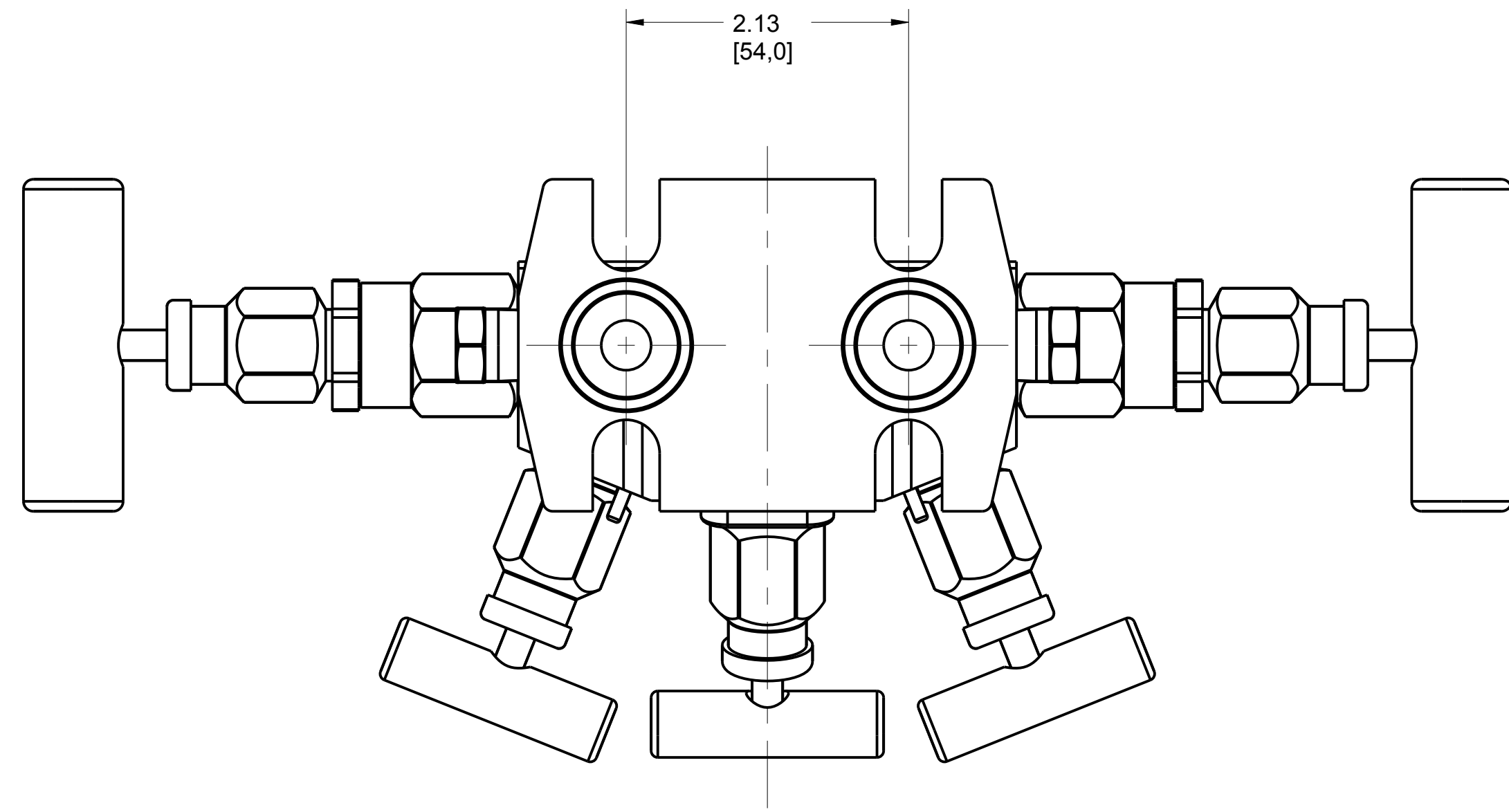
EMERSON

TITLE 304R NATURAL GAS MANIFOLD
TYPE I DRAWING

DR. J. ARMSTRONG	9/1/16	DRAWING NO.	
APP'D T. STROTH	9/2/16		00304-0501
CAD MAINTAINED, (PROE)			SHEET 5 OF 6

SIZE D SCALE NTS

MODEL 304R NATURAL GAS MANIFOLD FIVE VALVE CONVENTIONAL STYLE
FLANGE BY NPT



1/2-14 NPT PROCESS
CONNECTION

©2015 ROSEMOUNT INC. ROSEMOUNT INC. CERTIFIES THIS DRAWING TO BE IN ACCORDANCE WITH ROSEMOUNT ENGINEERING SPECIFICATIONS. UNIT NOTES IN INCHES (mm). REFERENCE ROSEMOUNT PRODUCT SPECIFICATIONS. CLICK HERE	3RD ANGLE	SIZE D	SCALE NTS
	TITLE 304R NATURAL GAS MANIFOLD TYPE I DRAWING		
	DR. J. ARMSTRONG 9/1/16 APP'D T. STROTH 9/2/16	DRAWING NO. 00304-0501	
CAD MAINTAINED, (PROE)		SHEET 6 OF 6	