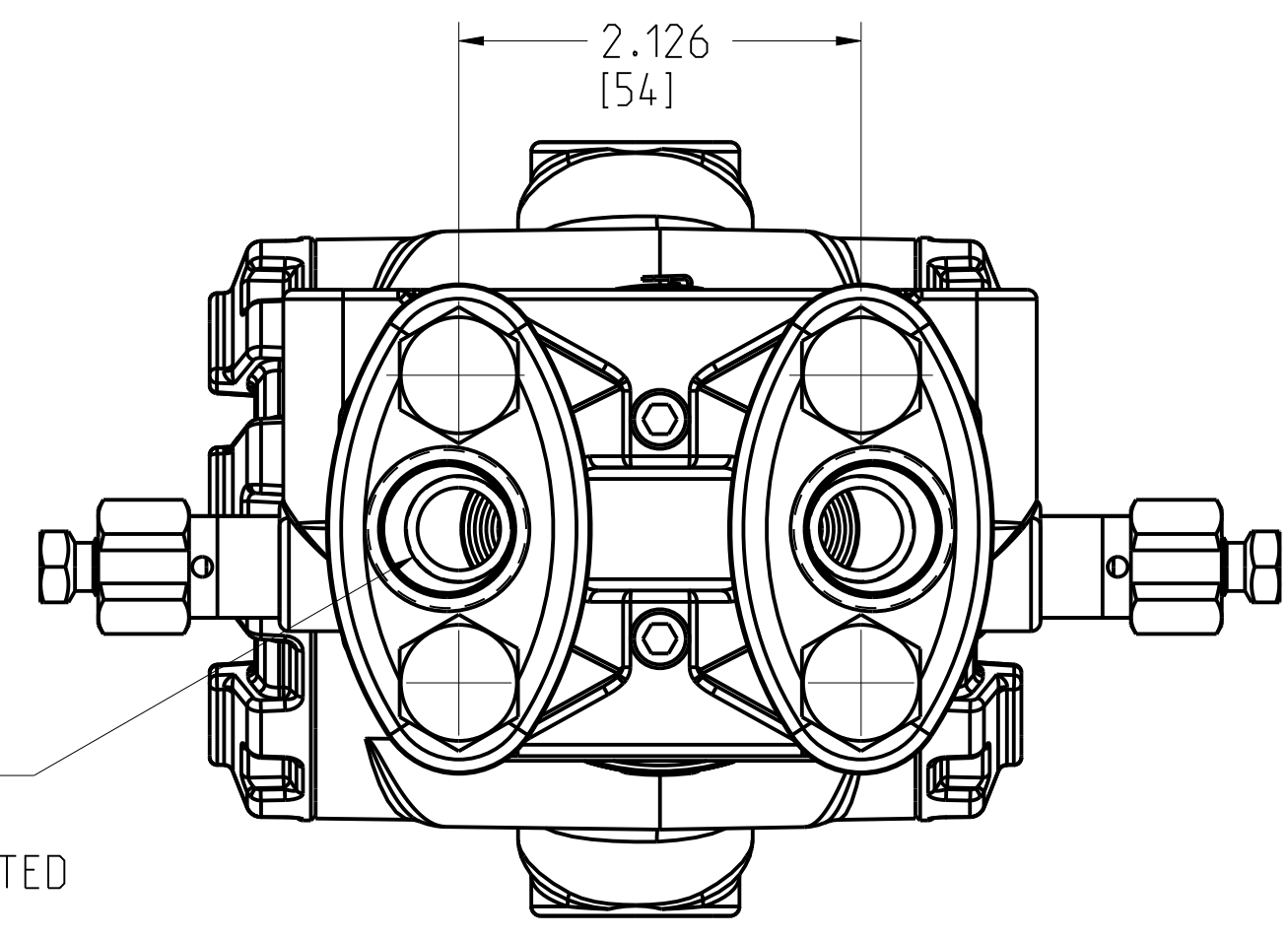
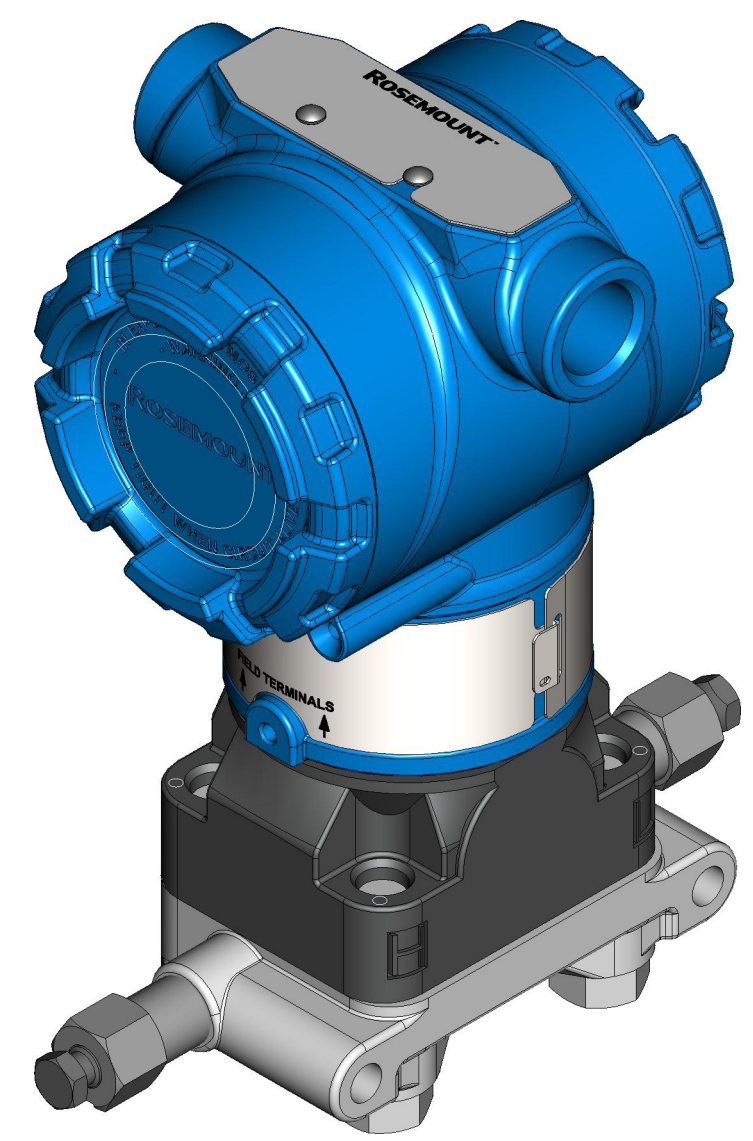
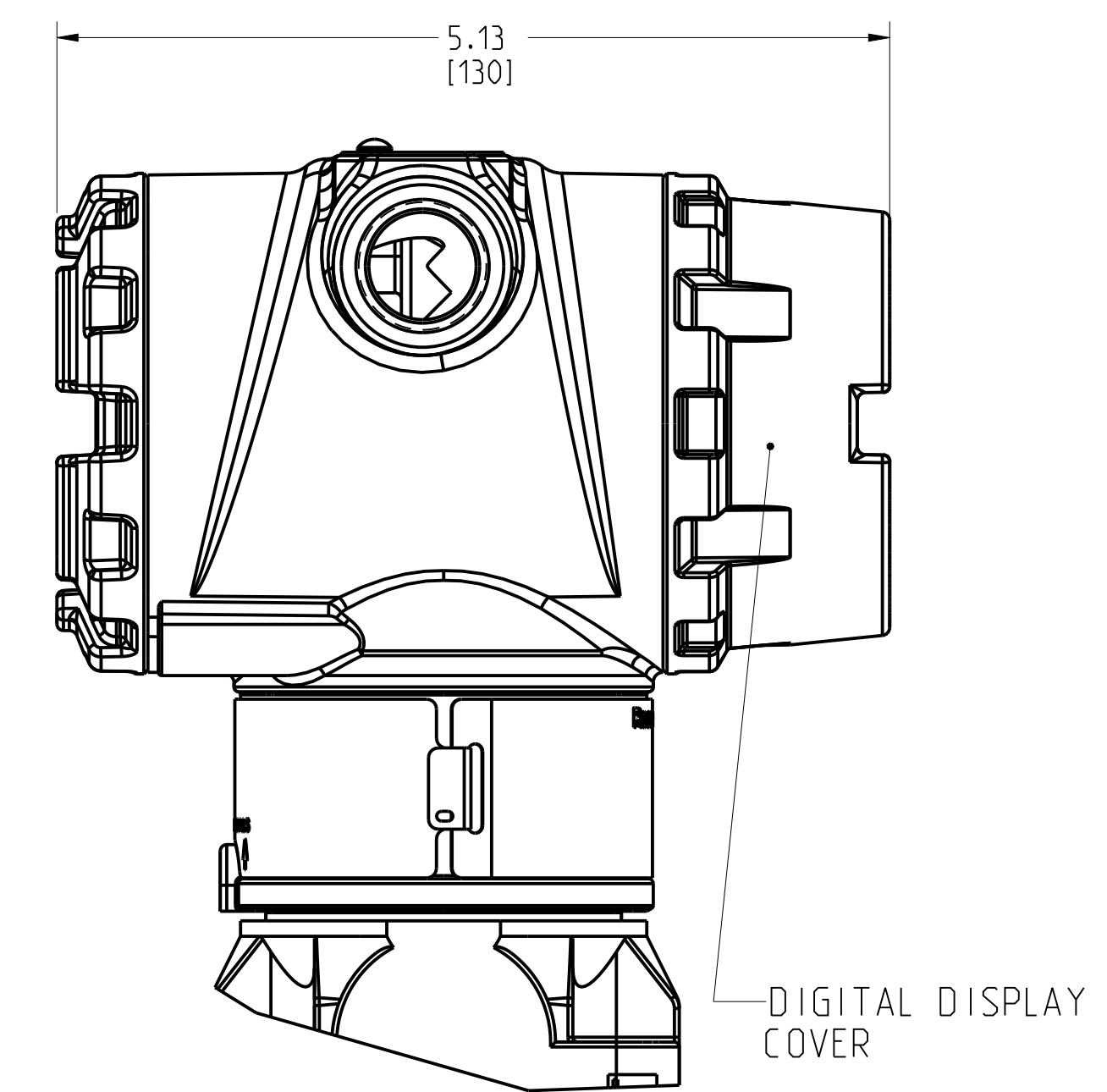
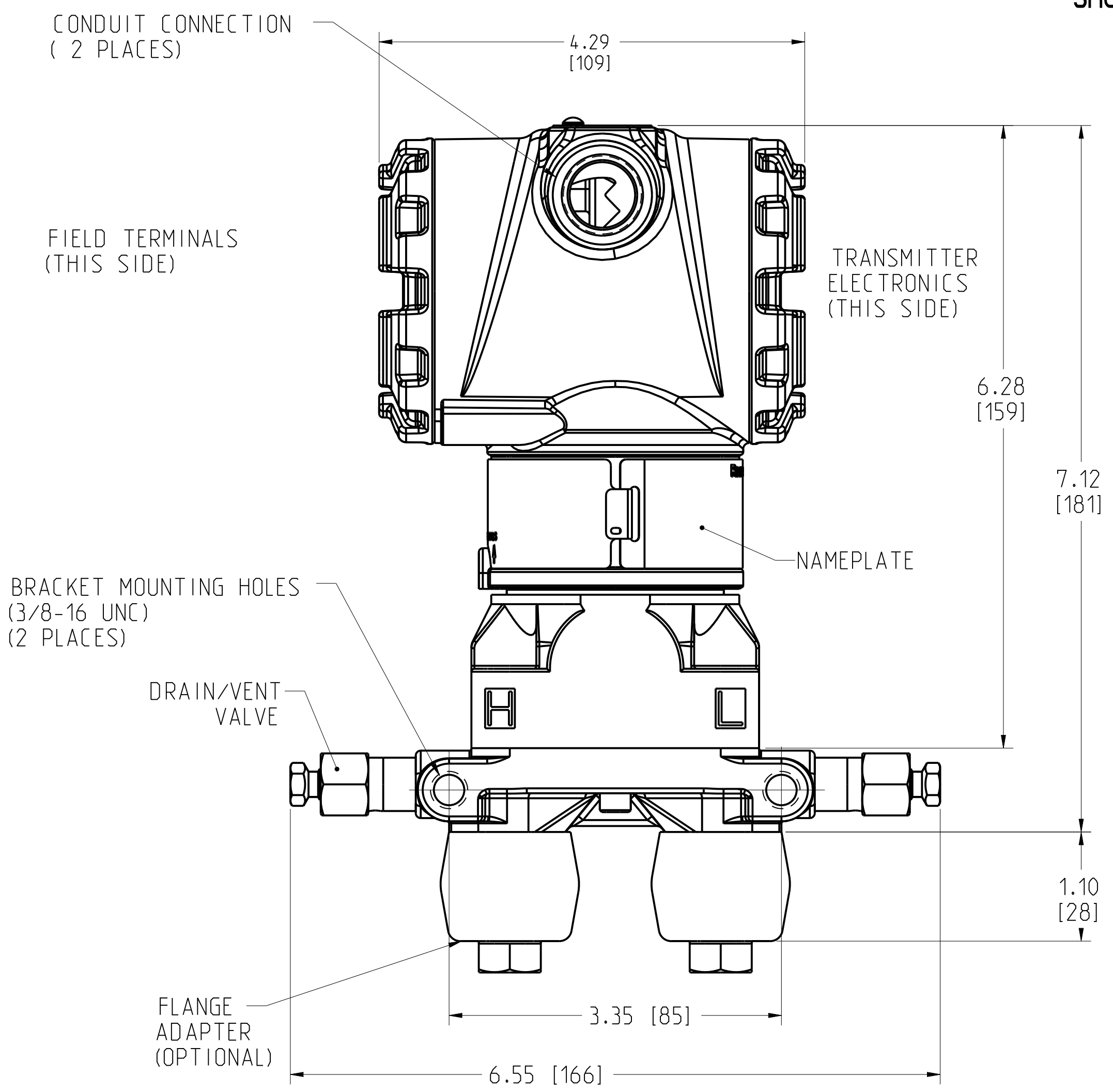
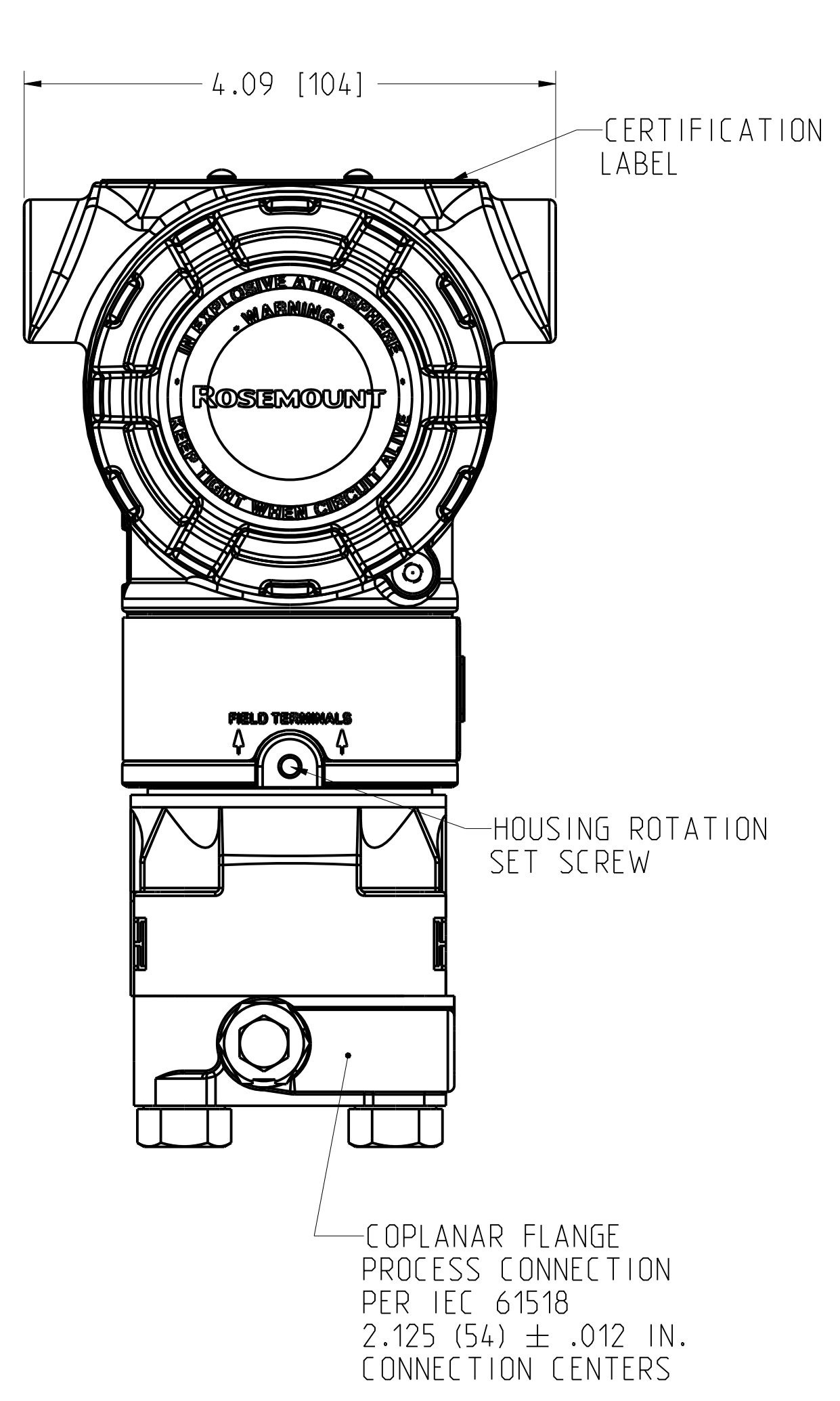


ROSEMOUNT 3051C COPLANAR PRESSURE TRANSMITTER COPLANAR FLANGE PROCESS CONNECTION

REVISION TABLE			
REVISION	ECO NO.	APP'D	DATE
AS	RTC1076375	C. OBERLE	12/16/20
DESCRIPTION			
ADD HS OPTION TO WIRELESS HOUSING			

OUTPUT CODE A, F, W, M
ALUMINUM/SST HOUSING

SHOWN WITH OPTIONAL DIGITAL DISPLAY



1/4-18 NPT PROCESS CONNECTION OR 1/2-14 NPT WITH OPTIONAL FLANGE ADAPTERS. ADAPTERS CAN BE ROTATED TO GIVE CONNECTION CENTERS OF 2.00 (51), 2.125 (54), OR 2.25 (57)

©2015 ROSEMOUNT, INC. ROSEMOUNT AND CERTAIN OF THE TRADEMARKS AND LOGOS THEREIN ARE REGISTERED IN THE U.S. PATENT AND TRADEMARK OFFICE. ROSEMOUNT ENGINEERING SPECIFICATIONS. UNIT NOTES IN INCHES (mm).

REFERENCE ROSEMOUNT PRODUCT SPECIFICATIONS. CLICK HERE

CAD MAINTAINED. (PRO/E)

3RD ANGLE

EMERSON

TITLE ROSEMOUNT 3051C COPLANAR TYPE I DRAWING

DR. JLA 7/23/14 DRAWING NO. 03031-1011

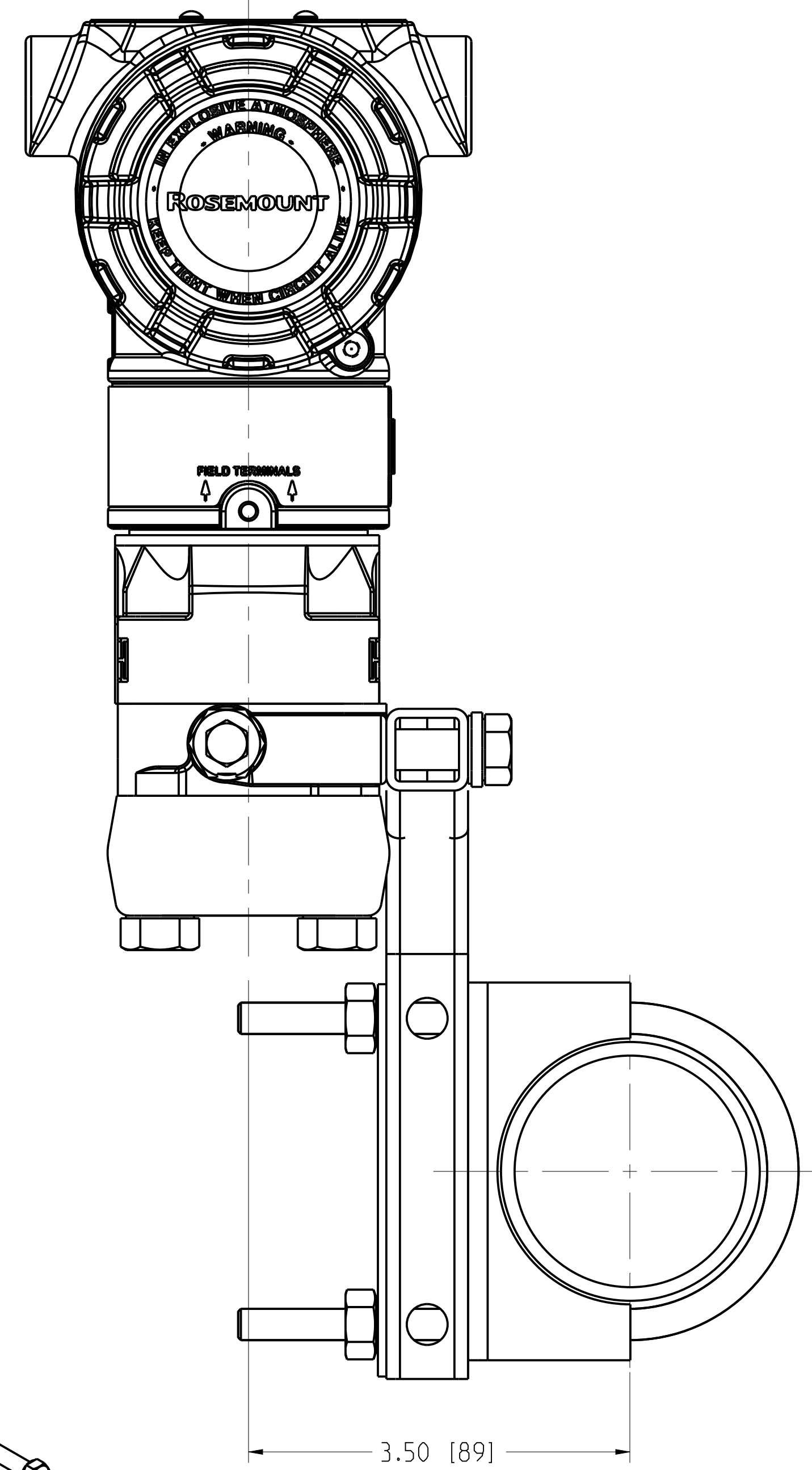
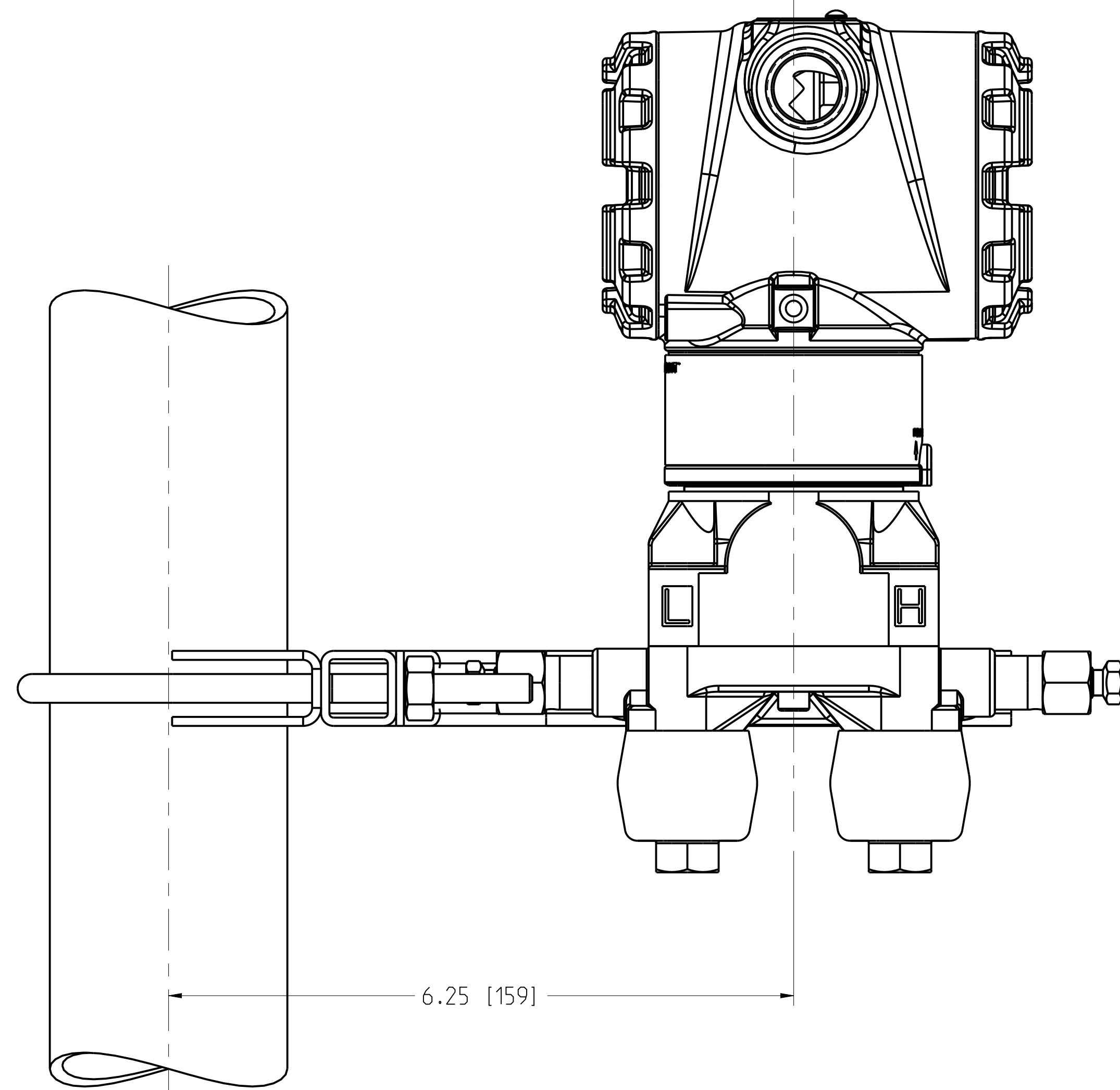
APP'D J. FRIEZ 7/23/14

SIZE D SCALE NTS

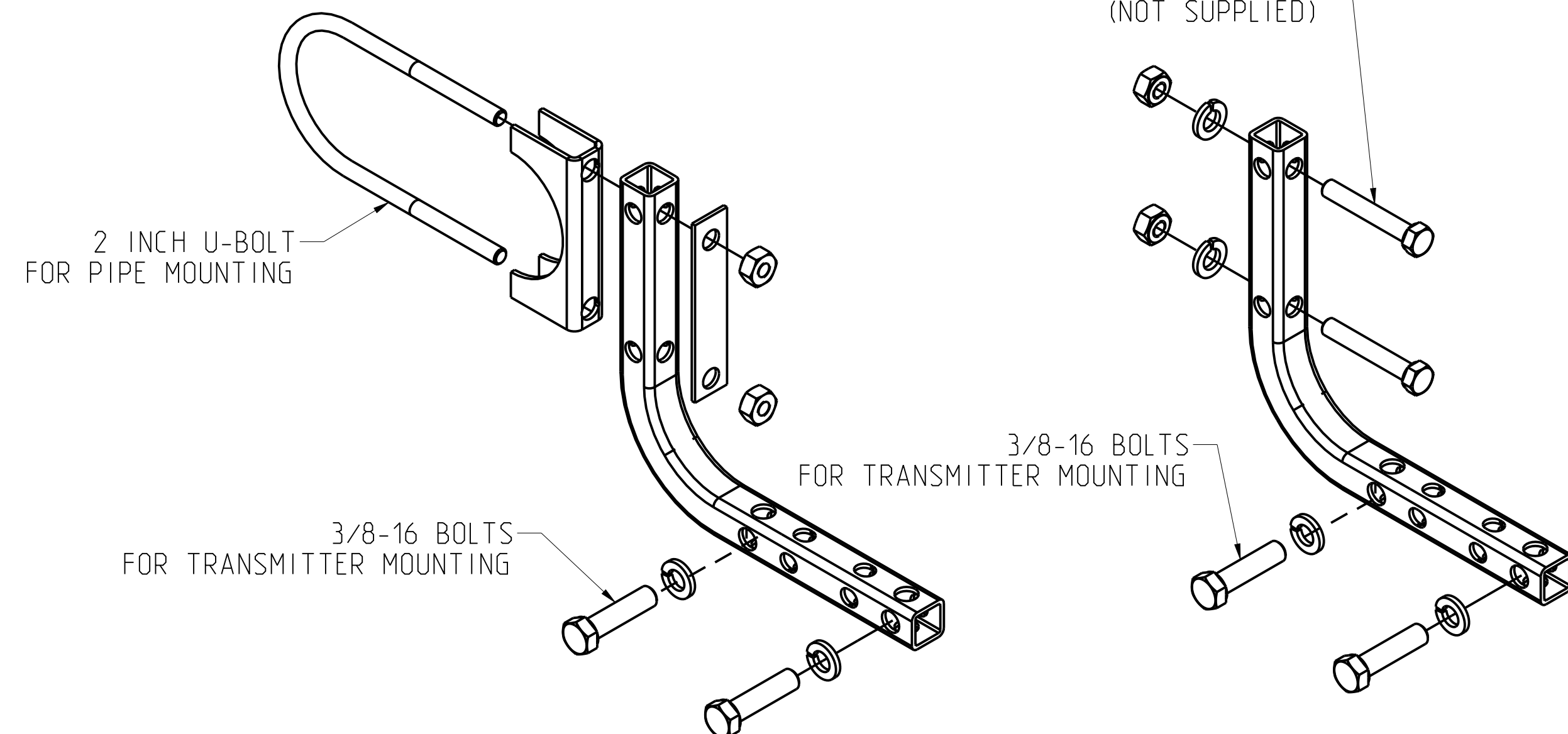
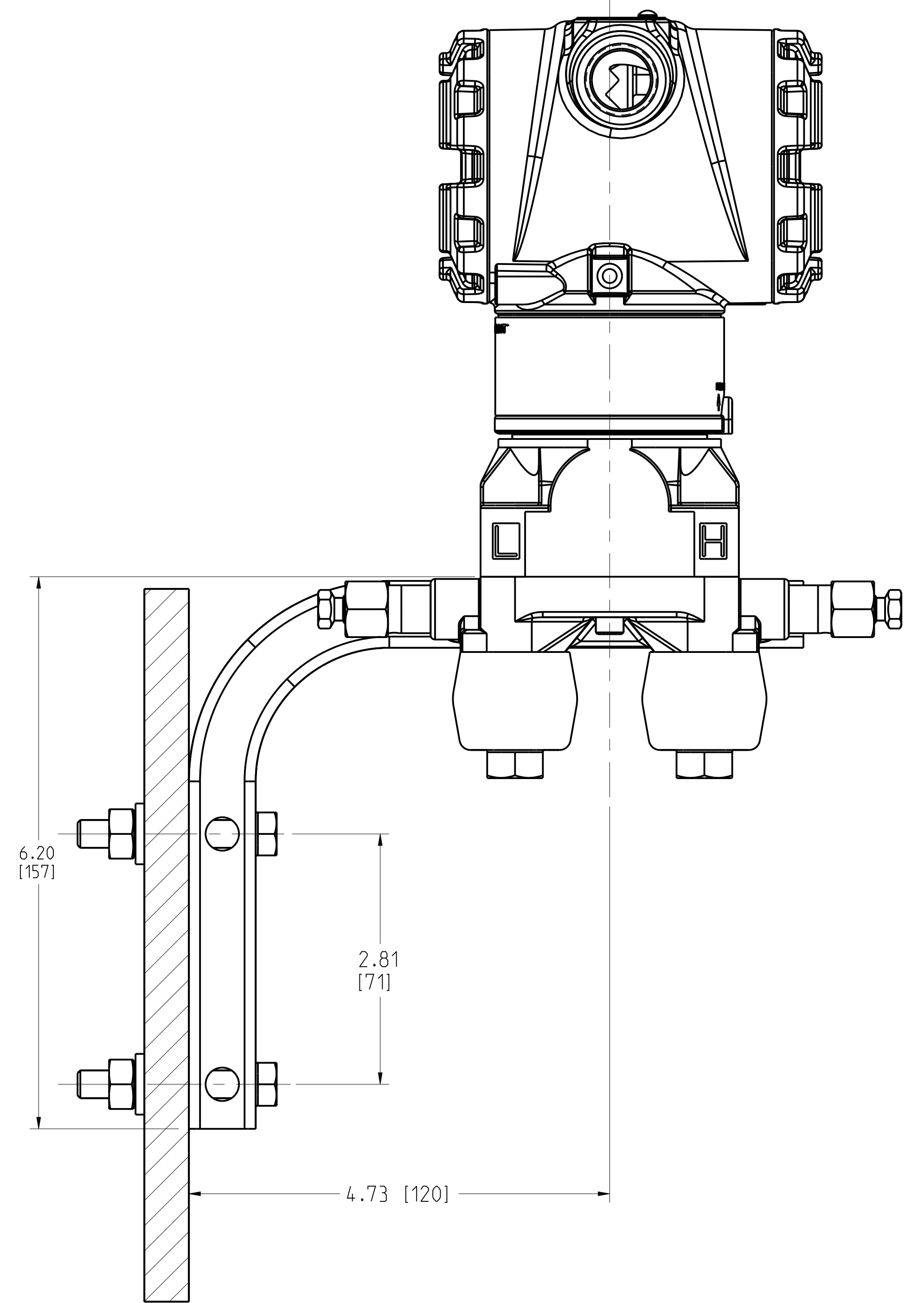
SHEET 1 OF 10

ROSEMOUNT 3051C COPLANAR PRESSURE TRANSMITTER
 COPLANAR FLANGE MOUNTING CONFIGURATIONS

PIPE MOUNTING



PANEL MOUNTING



©2015 ROSEMOUNT, INC. ALL RIGHTS RESERVED. THIS DRAWING IS THE PROPERTY OF ROSEMOUNT, INC. AND IS TO BE USED IN ACCORDANCE WITH THE ROSEMOUNT ENGINEERING SPECIFICATIONS. UNIT NOTES IN INCHES (mm).

REFERENCE ROSEMOUNT PRODUCT SPECIFICATIONS. CLICK HERE

EMERSON

TITLE ROSEMOUNT 3051C COPLANAR TYPE I DRAWING

DR. JLA 7/23/14 DRAWING NO. 03031-1011

APP'D J. FRIEZ 7/23/14

CAD MAINTAINED (PRO/EI) SHEET 2 OF 10

3RD ANGLE

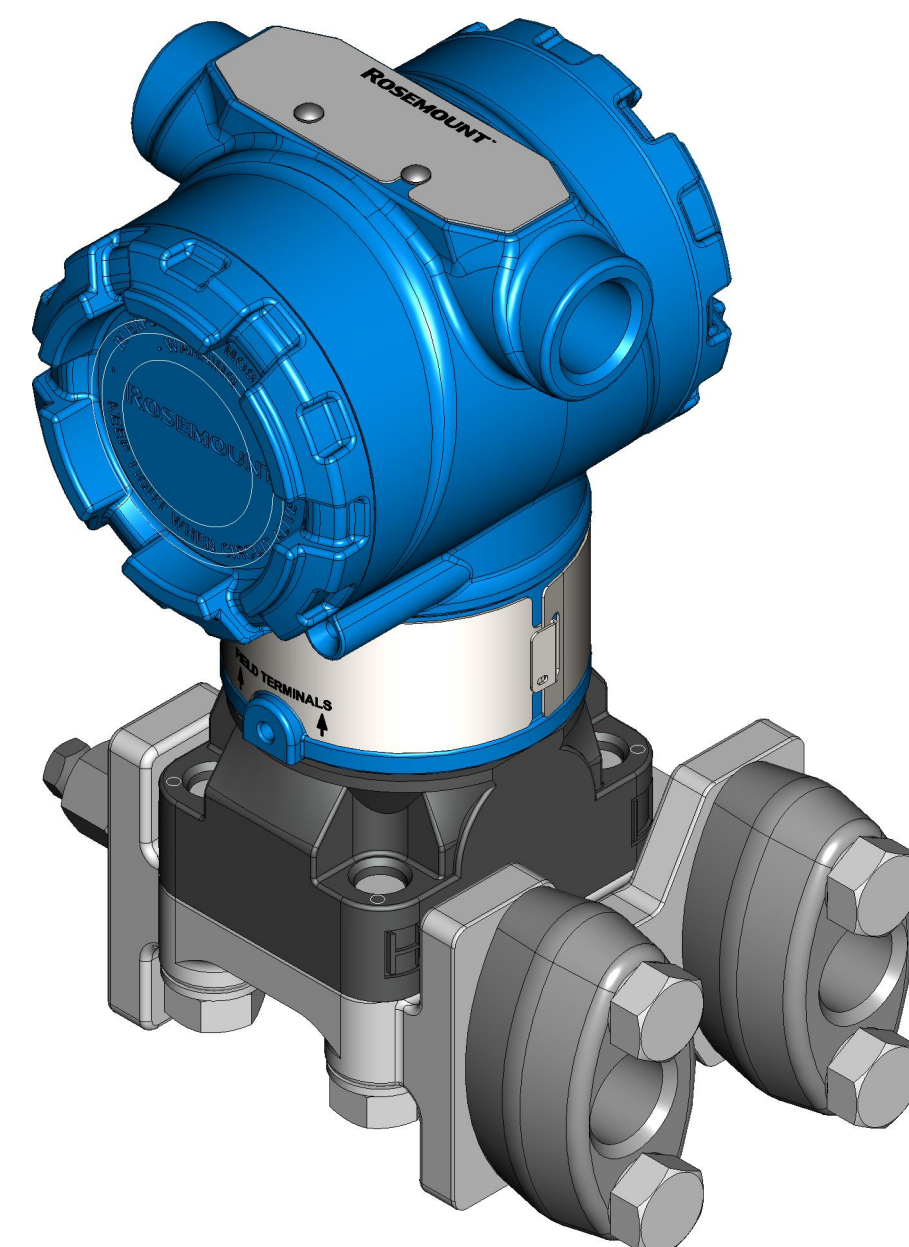
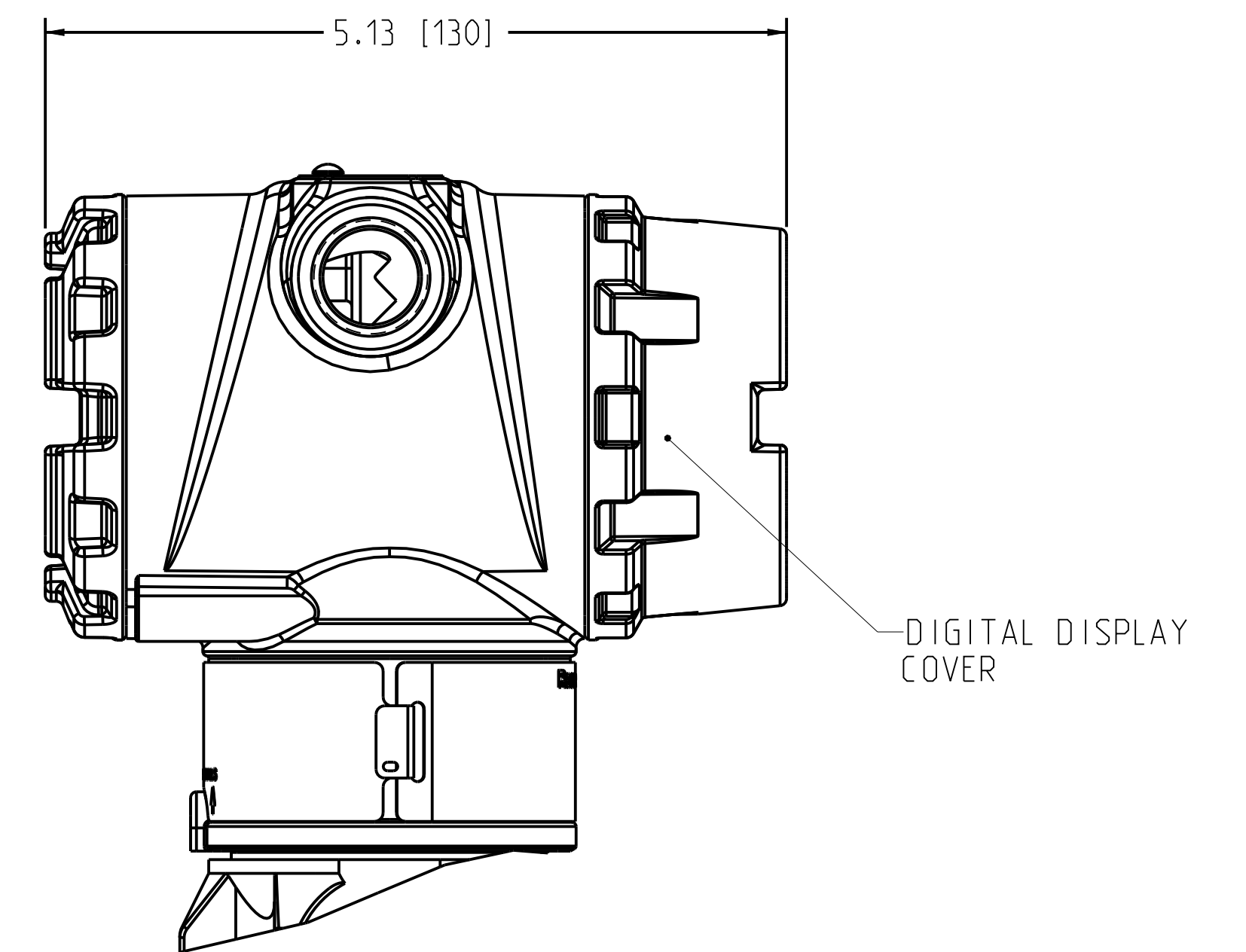
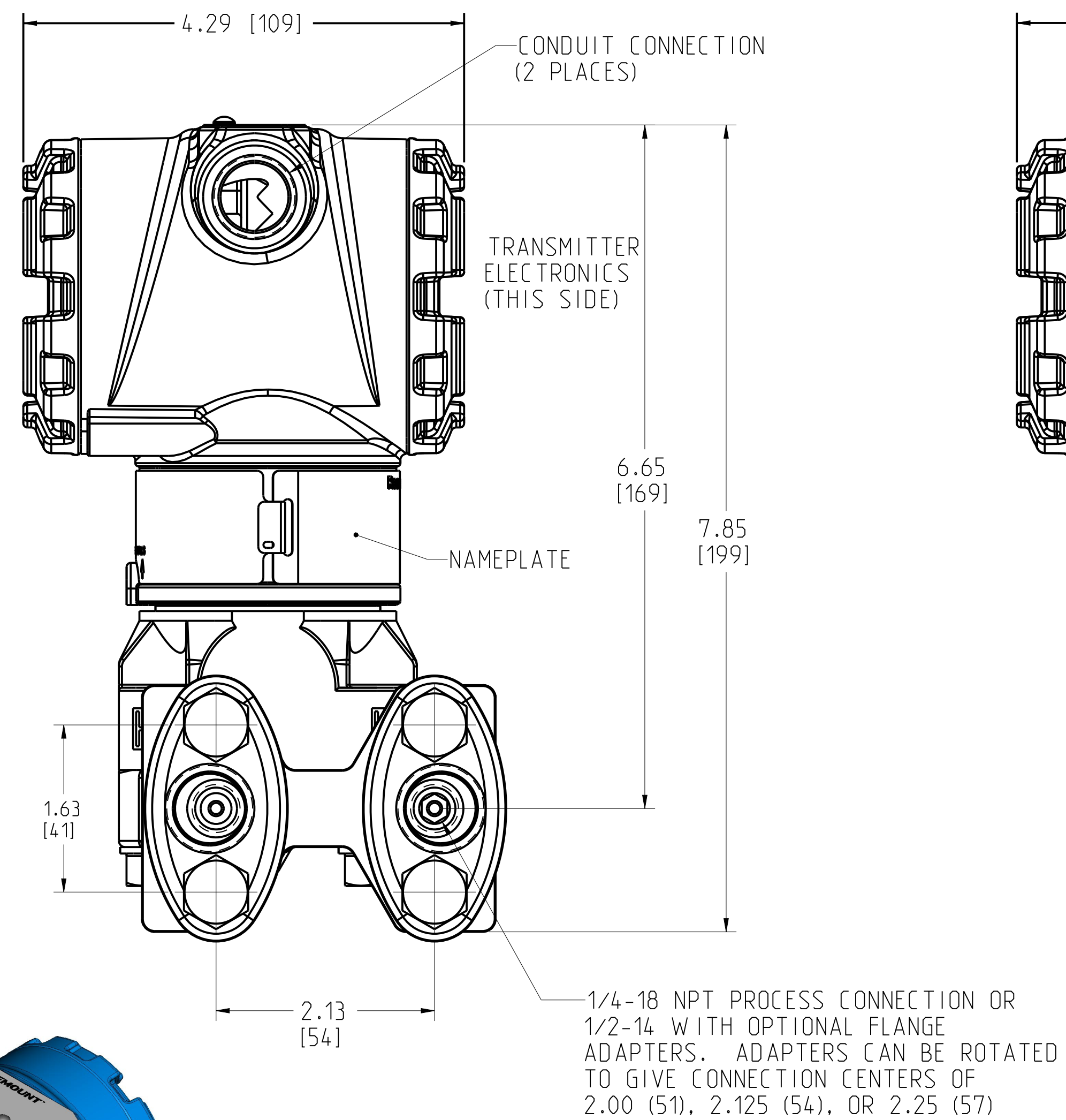
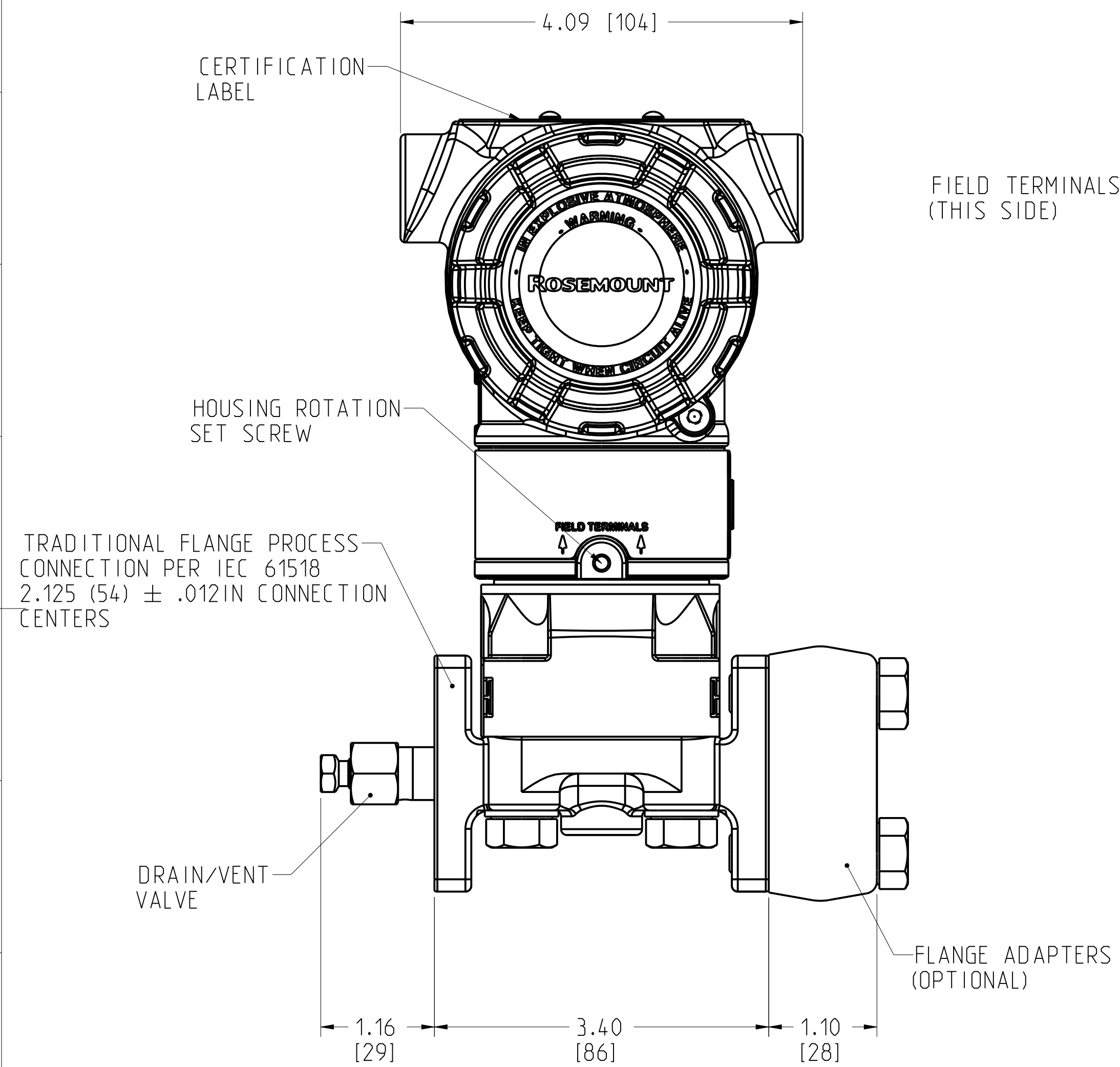
SIZE D

SCALE NTS

ROSEMOUNT 3051C COPLANAR PRESSURE TRANSMITTER TRADITIONAL FLANGE PROCESS CONNECTION

OUTPUT CODE A, F, W, M
ALUMINUM/SST HOUSING

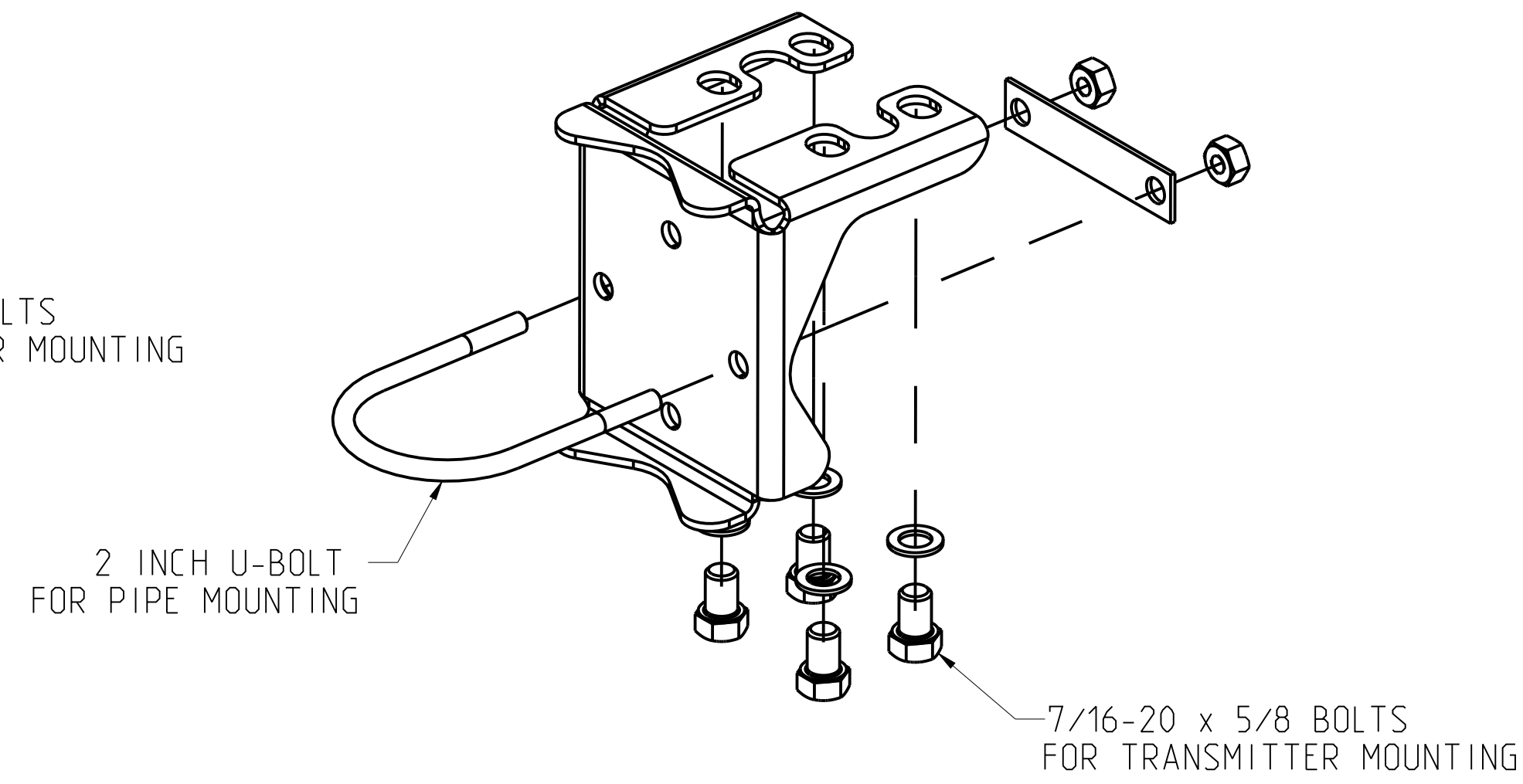
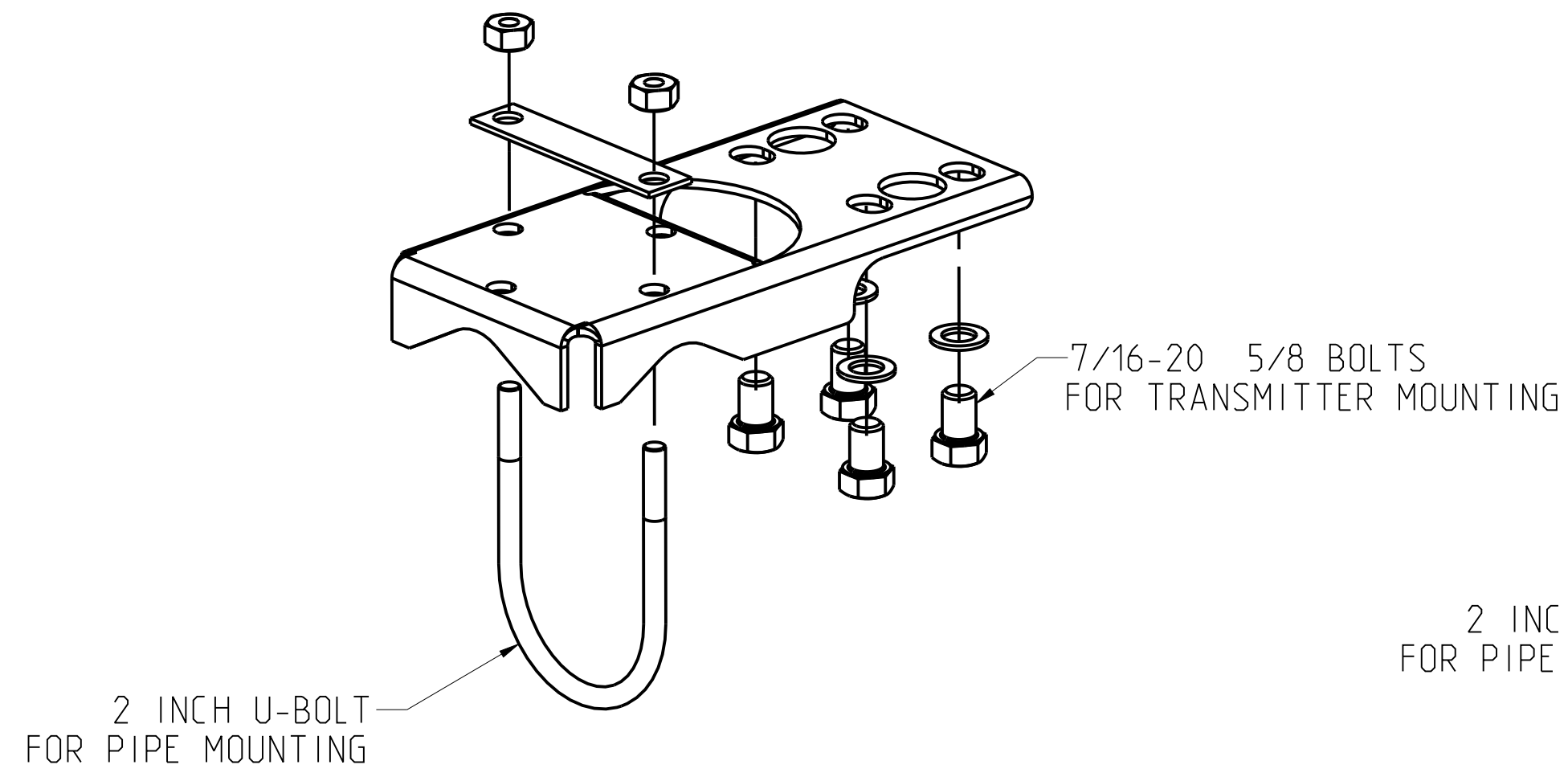
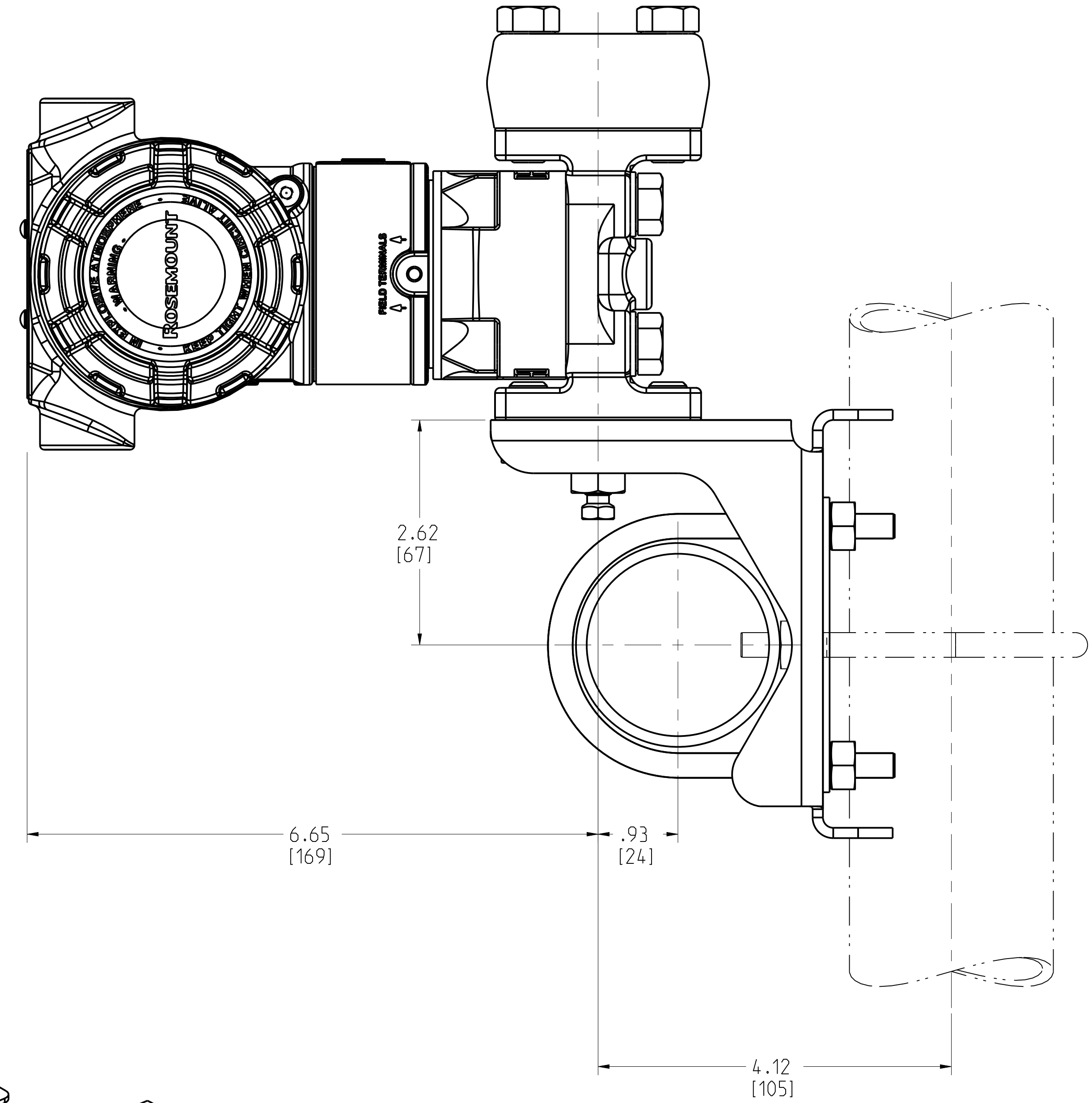
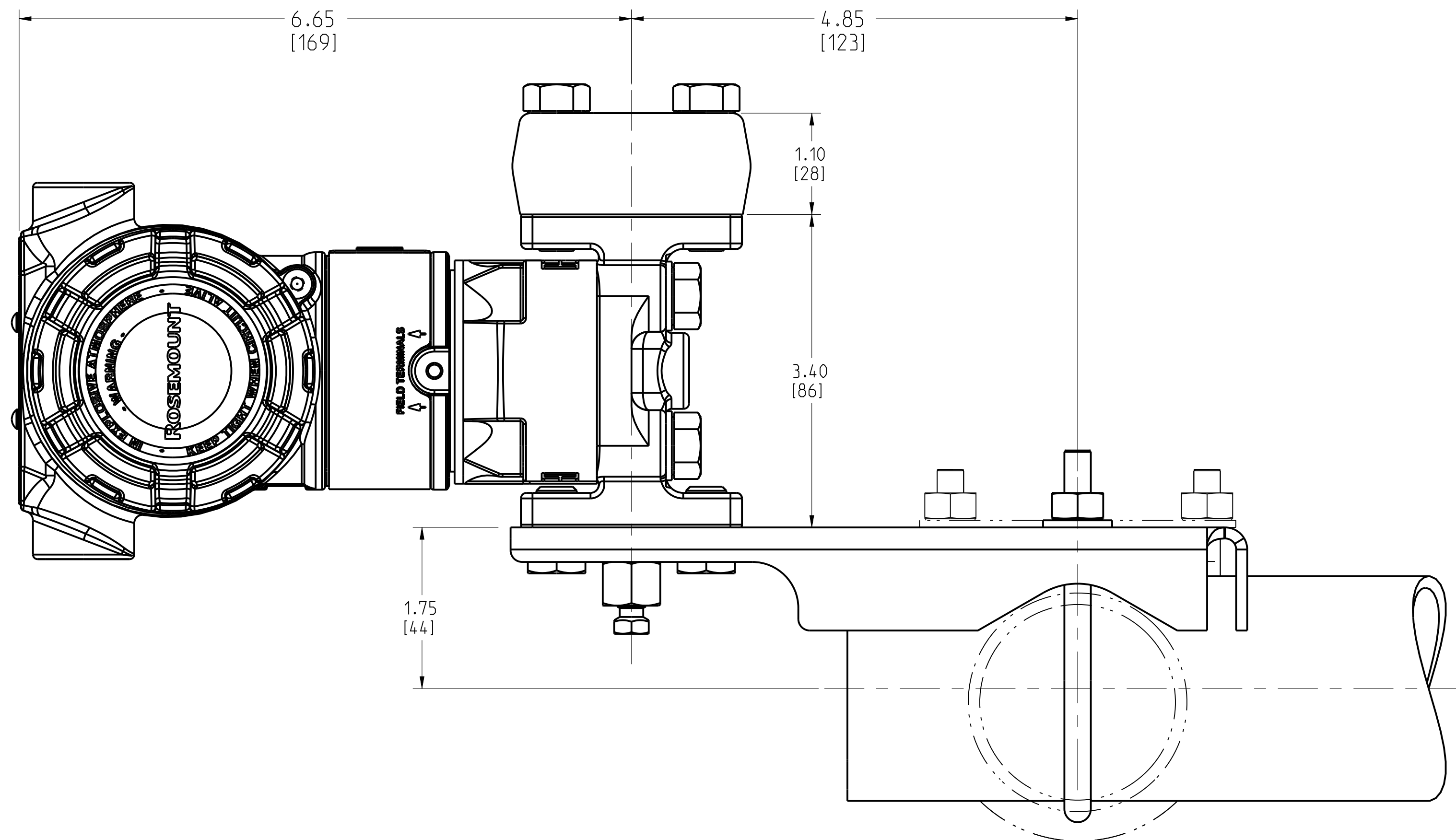
SHOWN WITH OPTIONAL DIGITAL DISPLAY



<small>©2015 ROSEMOUNT, INC. ROSEMOUNT AND ALL RIGHTS RESERVED THIS DRAWING IS UNCLASSIFIED IN ACCORDANCE WITH ROSEMOUNT ENGINEERING SPECIFICATIONS. UNIT NOTES IN INCHES (mm). REFERENCE ROSEMOUNT PRODUCT SPECIFICATIONS FOR PRODUCT SPECIFICATIONS. CLICK HERE</small>	<small>3RD ANGLE</small> 	<small>SIZE</small> D	<small>SCALE</small> NTS
	TITLE ROSEMOUNT 3051C COPLANAR TYPE I DRAWING		
	<small>DR.</small> JLA 7/23/14	<small>DRAWING NO.</small>	03031-1011
<small>APP'D</small> J. FRIEZ 7/23/14			SHEET 3 OF 10
<small>CAD MAINTAINED: (PRO/EI)</small>			

ROSEMOUNT 3051C COPLANAR PRESSURE TRANSMITTER
TRADITIONAL FLANGE MOUNTING CONFIGURATIONS

PIPE MOUNTING



©2015 ROSEMOUNT, INC. ALL RIGHTS RESERVED. THIS DRAWING IS THE PROPERTY OF ROSEMOUNT, INC. AND IS TO BE USED IN ACCORDANCE WITH THE ROSEMOUNT ENGINEERING SPECIFICATIONS. UNIT NOTES IN INCHES (mm).

REFERENCE ROSEMOUNT PRODUCT SPECIFICATIONS. CLICK HERE

EMERSON

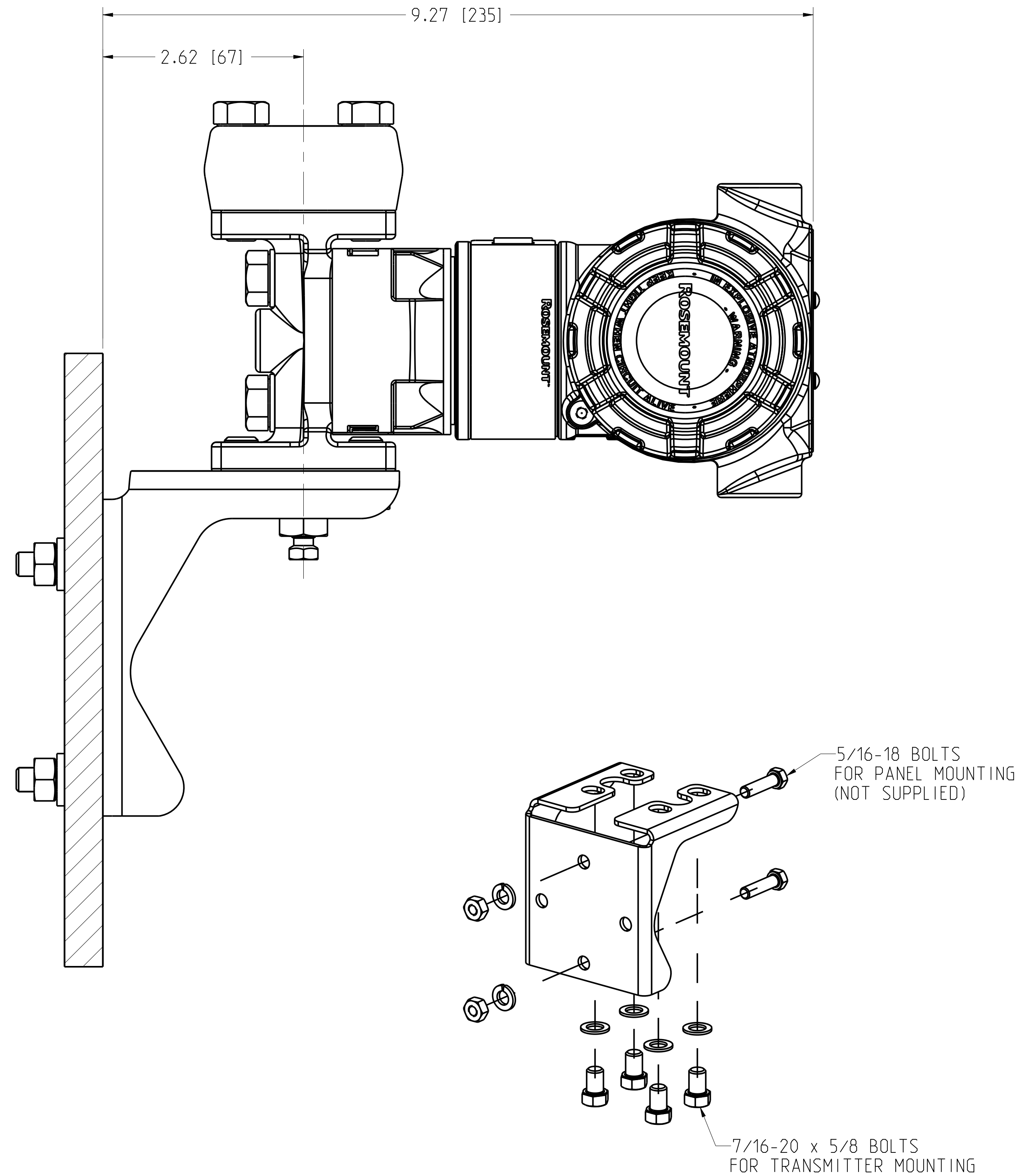
TITLE ROSEMOUNT 3051C COPLANAR TYPE I DRAWING

DR.	JLA	7/23/14	DRAWING NO.	03031-1011
APP'D	J. FRIEZ	7/23/14		

CAD MAINTAINED. (PRO/EI) SHEET 4 OF 10

ROSEMOUNT 3051C COPLANAR PRESSURE TRANSMITTER
TRADITIONAL FLANGE MOUNTING CONFIGURATIONS

PANEL MOUNTING



©2015 ROSEMOUNT, INC.
ROSEMOUNT AND ALL OTHER TRADE NAMES
ARE REGISTERED TRADEMARKS OF
ROSEMOUNT ENGINEERING
SPECIFICATIONS
UNIT NOTES IN INCHES (mm).

REFERENCE ROSEMOUNT
PRODUCT SPECIFICATIONS.
CLICK HERE

EMERSON

3RD ANGLE

SIZE D

SCALE NTS

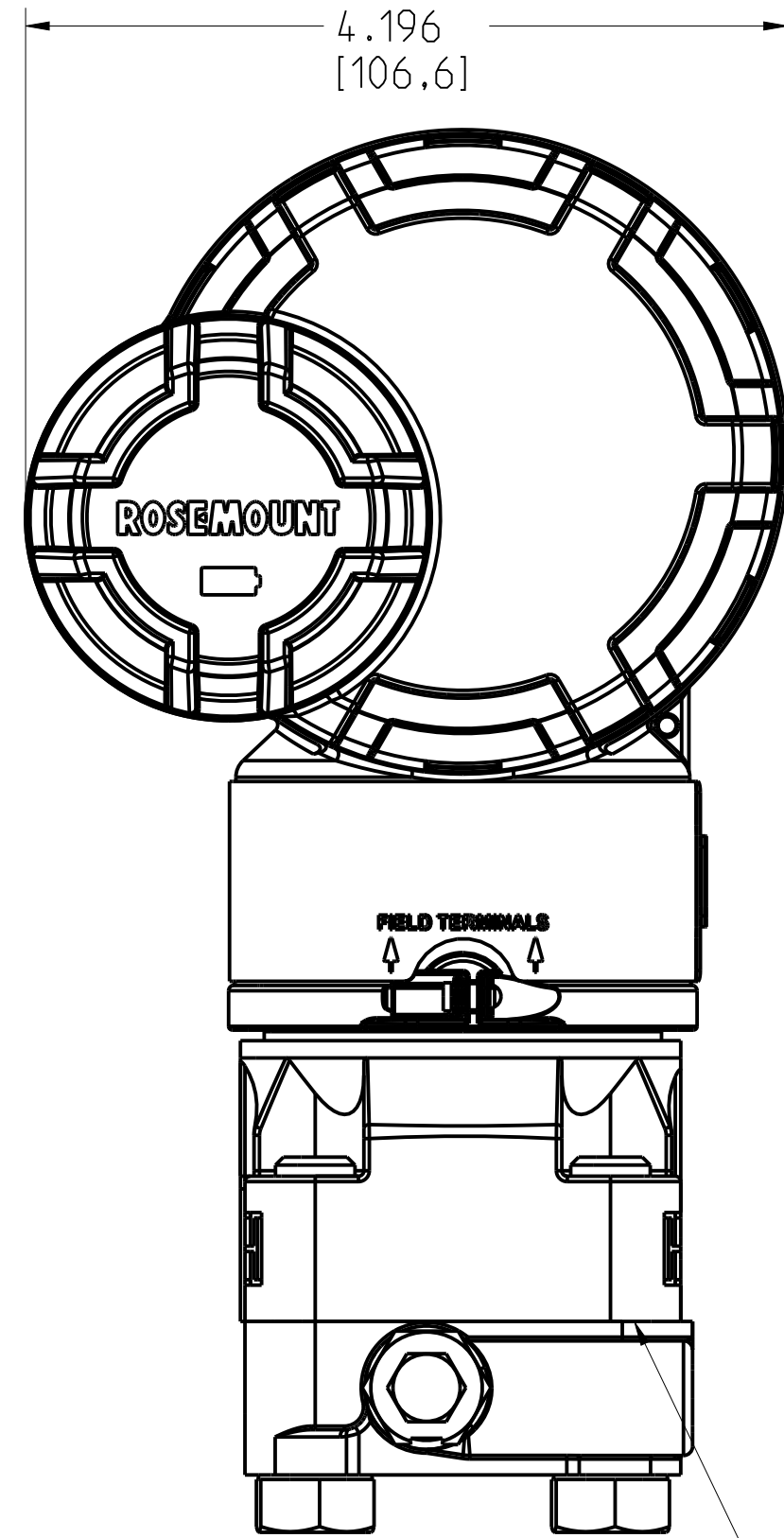
TITLE ROSEMOUNT 3051C COPLANAR
TYPE I DRAWING

DR. JLA 7/23/14 DRAWING NO. 03031-1011

APP'D J. FRIEZ 7/23/14

CAD MAINTAINED (PRO/EI) SHEET 5 OF 10

**ROSEMOUNT 3051C WIRELESS COPLANAR PRESSURE TRANSMITTER
COPLANAR FLANGE PROCESS CONNECTION**



FIELD TERMINALS
(THIS SIDE)

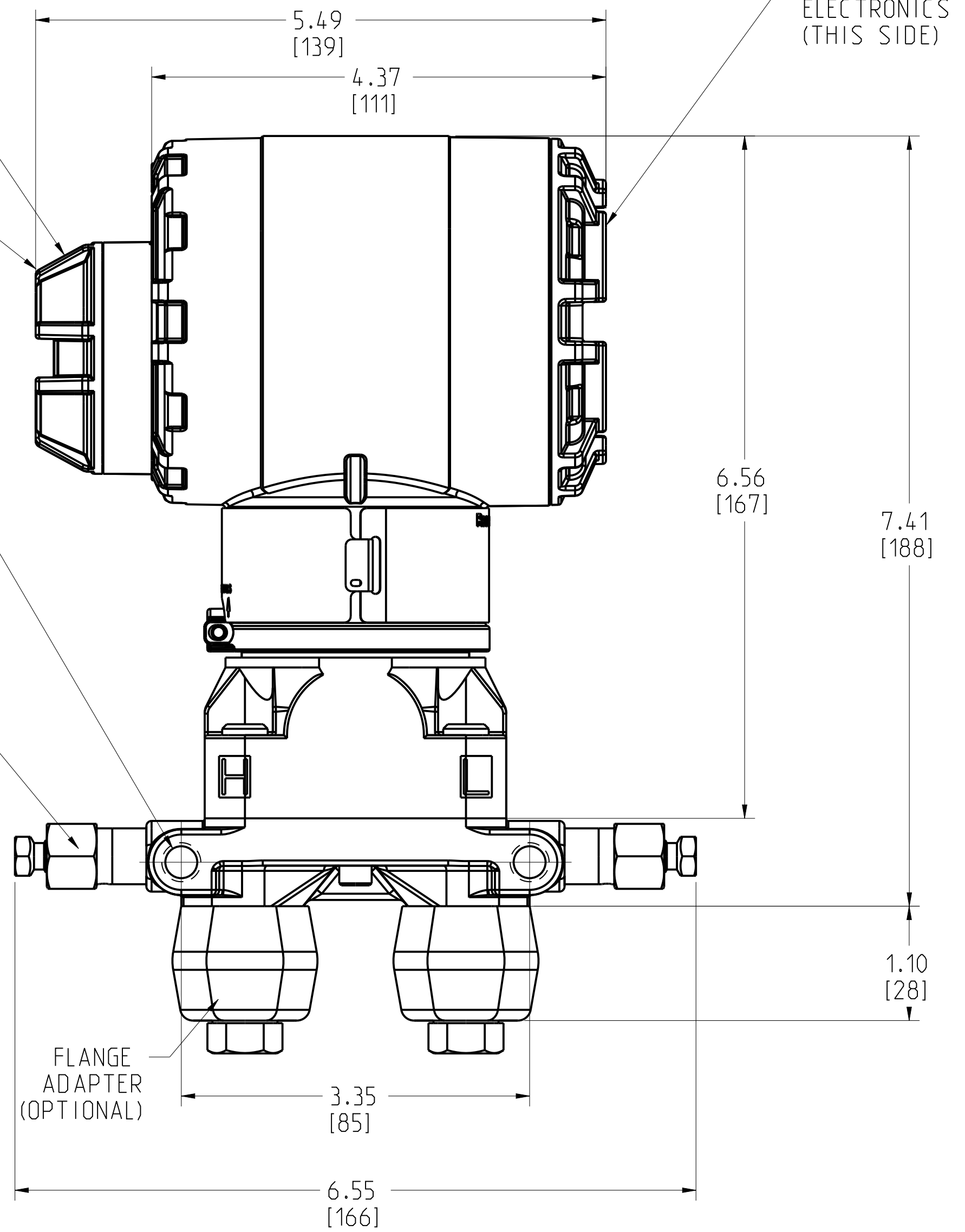
POWER MODULE

BRACKET MOUNTING HOLES
(3/8-16 UNC)
(2 PLACES)

DRAIN/VENT
VALVE

COPLANAR FLANGE
PROCESS CONNECTION
PER IEC 61518
2.125 (54)
CONNECTION CENTERS

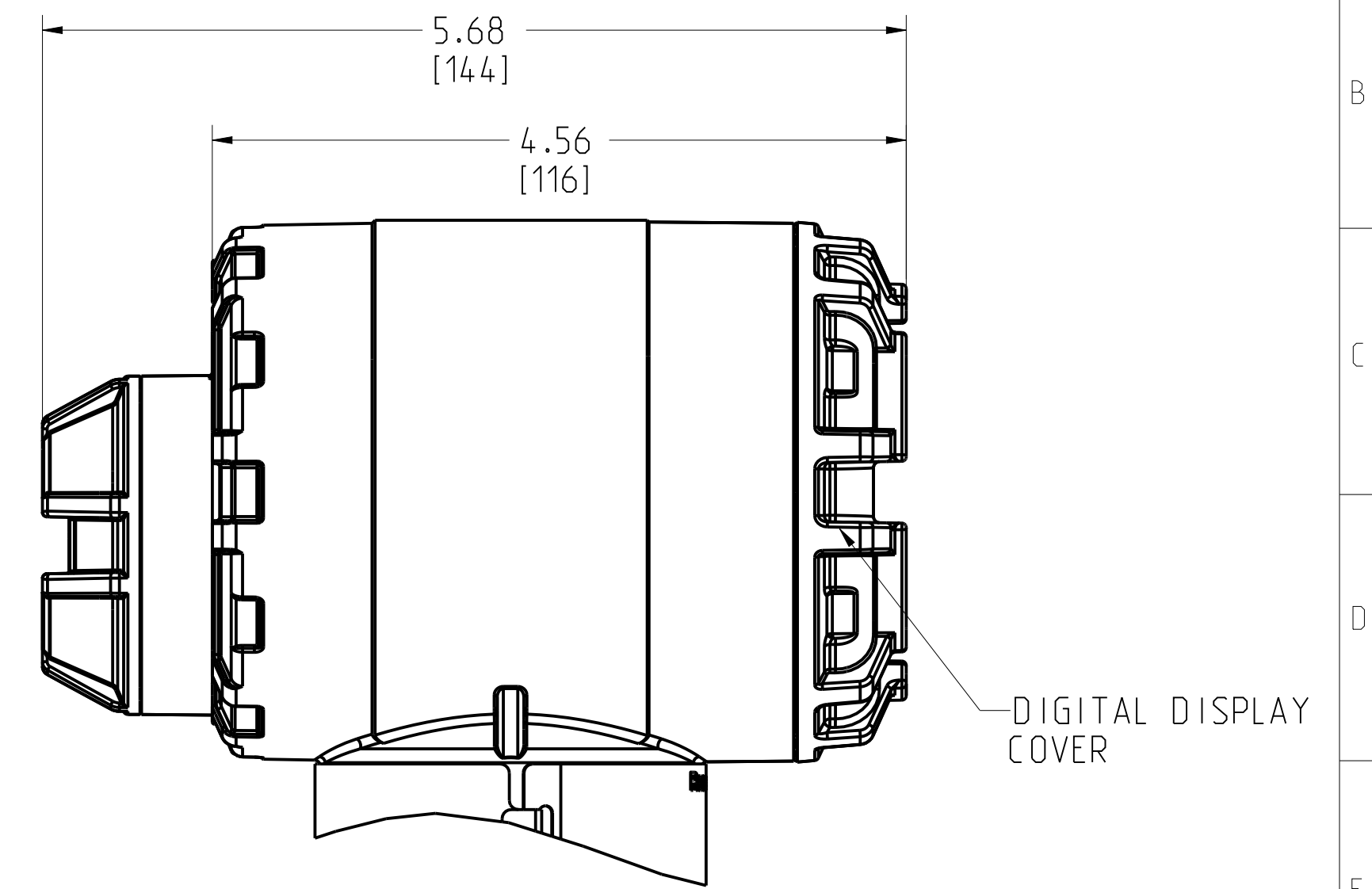
OUTPUT CODE X
POLYMER HOUSING



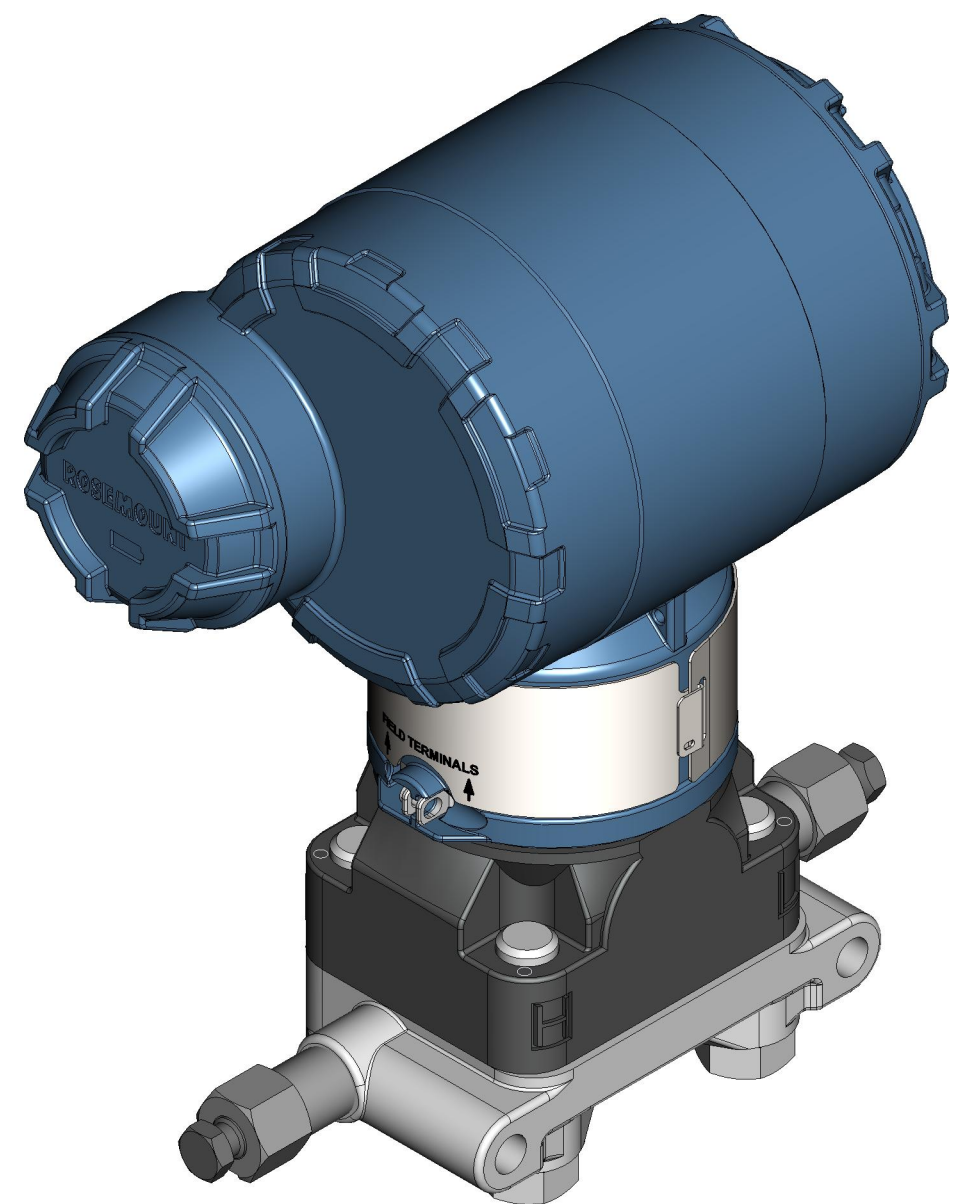
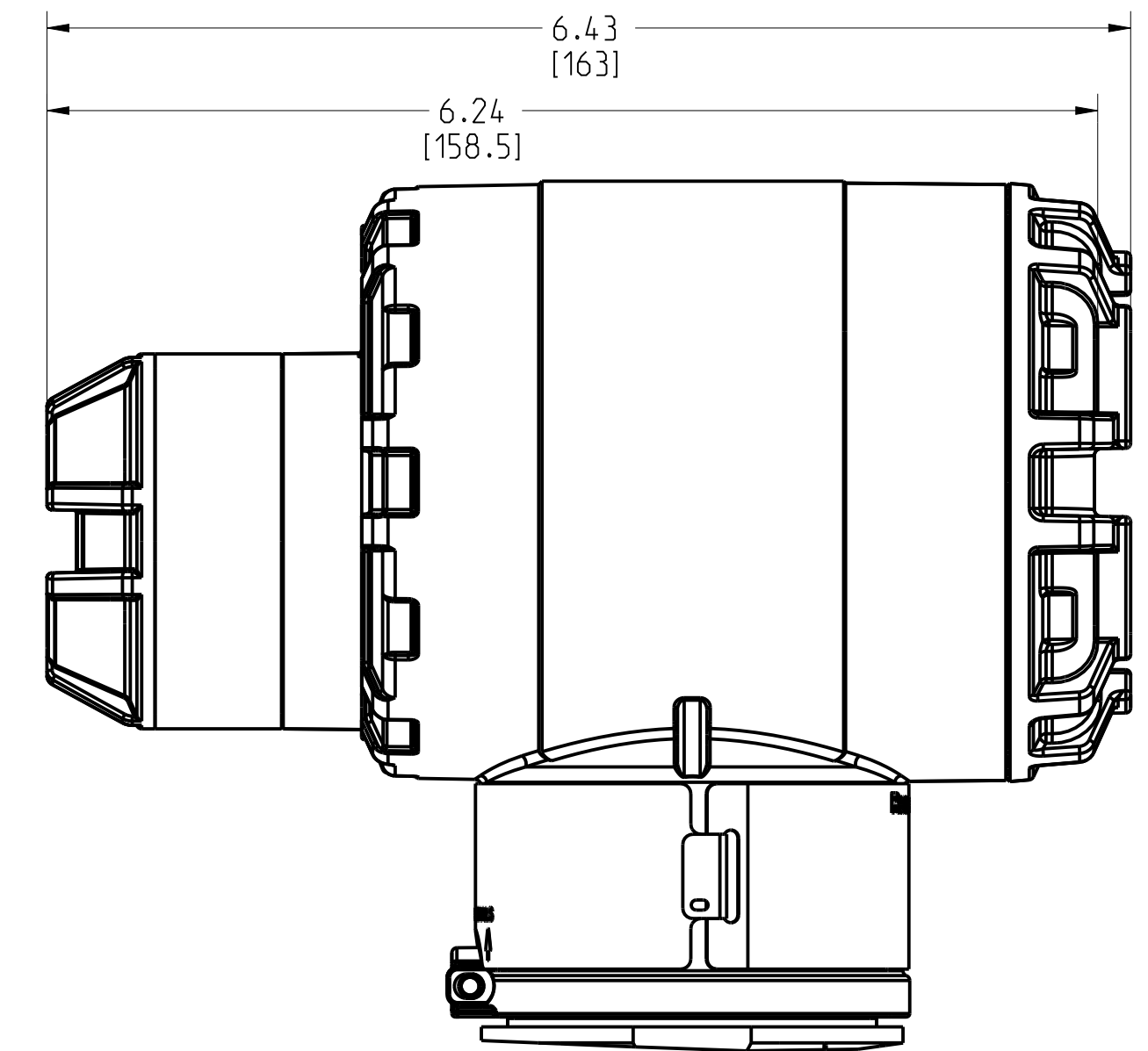
TRANSMITTER
ELECTRONICS
(THIS SIDE)

FLANGE
ADAPTER
(OPTIONAL)

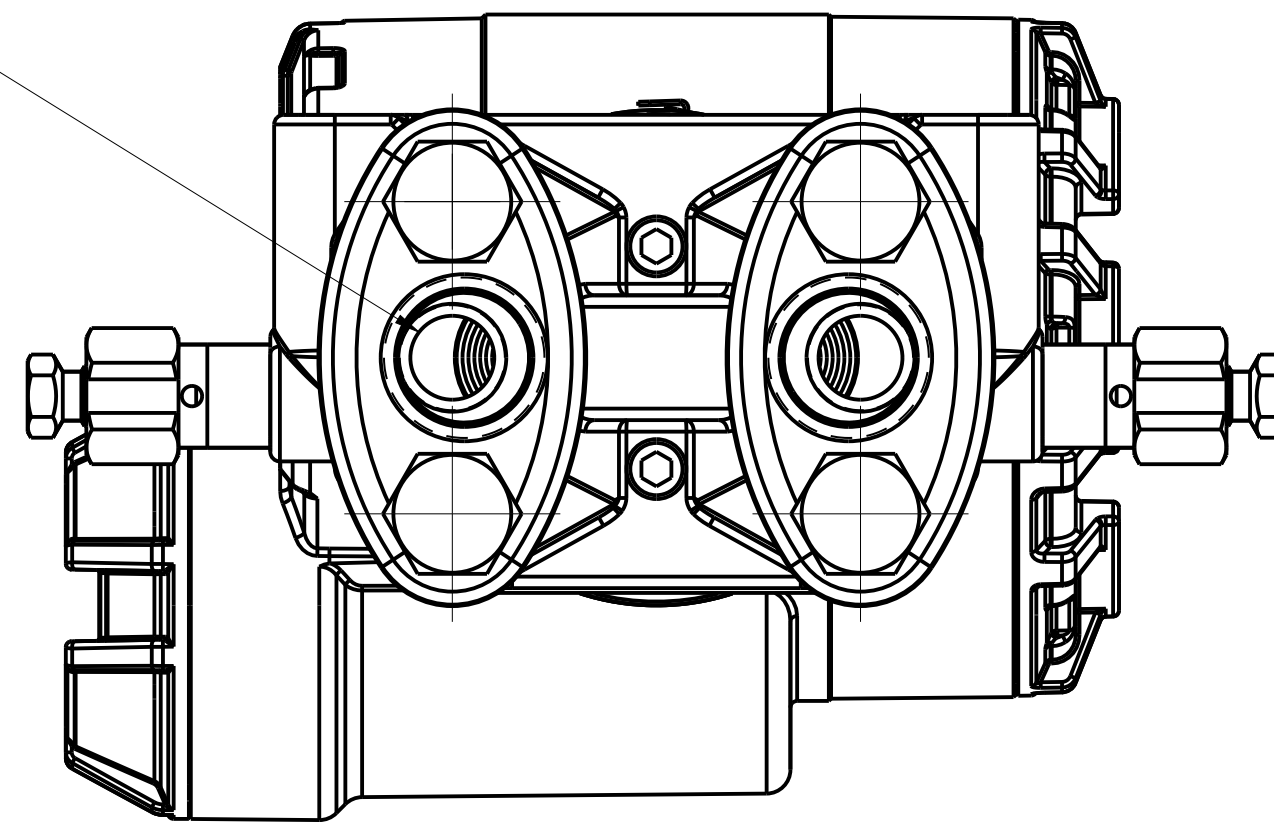
SHOWN WITH OPTIONAL DIGITAL DISPLAY



SHOWN WITH HS OPTION



1/4-18 NPT PROCESS CONNECTION OR
1/2-14 NPT WITH OPTIONAL FLANGE
ADAPTERS. ADAPTERS CAN BE ROTATED
TO GIVE CONNECTIONS OF
2.00 (51), 2.125 (54), OR 2.25 (57)



©2015 ROSEMOUNT, INC. ALL RIGHTS RESERVED. ROSEMOUNT AND THE ROSEMOUNT LOGO ARE TRADEMARKS OF ROSEMOUNT ENGINEERING SPECIFICATIONS. UNIT NOTES IN INCHES (mm).

REFERENCE ROSEMOUNT PRODUCT SPECIFICATIONS FOR PRODUCT SPECIFICATIONS. CLICK HERE

3RD ANGLE

EMERSON

TITLE ROSEMOUNT 3051C COPLANAR TYPE I DRAWING

DR. JLA 7/23/14 DRAWING NO. 03031-1011

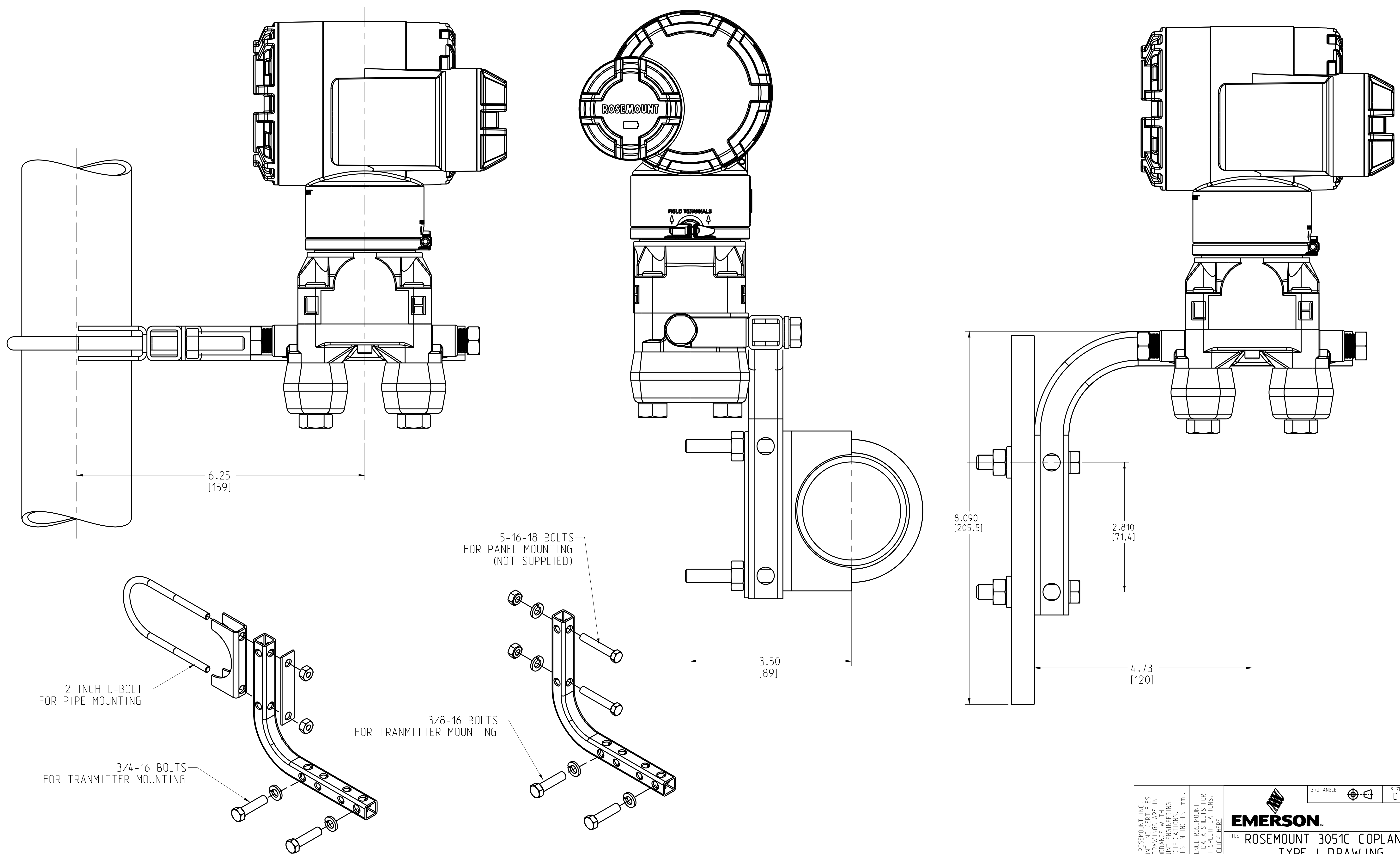
APP'D J. FRIEZ 7/23/14

CAD MAINTAINED. (PRO/E) SHEET 6 OF 10

ROSEMOUNT 3051C WIRELESS COPLANAR PRESSURE TRANSMITTER
 COPLANAR FLANGE MOUNTING CONFIGURATIONS

PIPE MOUNTING

PANEL MOUNTING



©2015 ROSEMOUNT, INC. ALL RIGHTS RESERVED. THIS DRAWING IS THE PROPERTY OF ROSEMOUNT ENGINEERING SPECIFICATIONS. UNIT NOTES IN INCHES (mm).

REFERENCE ROSEMOUNT PRODUCT SPECIFICATIONS FOR PRODUCT SPECIFICATIONS. CLICK HERE

EMERSON

TITLE ROSEMOUNT 3051C COPLANAR TYPE I DRAWING

DR. JLA 7/23/14 DRAWING NO. 03031-1011

APP'D J. FRIEZ 7/23/14

CAD MAINTAINED (PRO/EI) SHEET 7 OF 10

3RD ANGLE

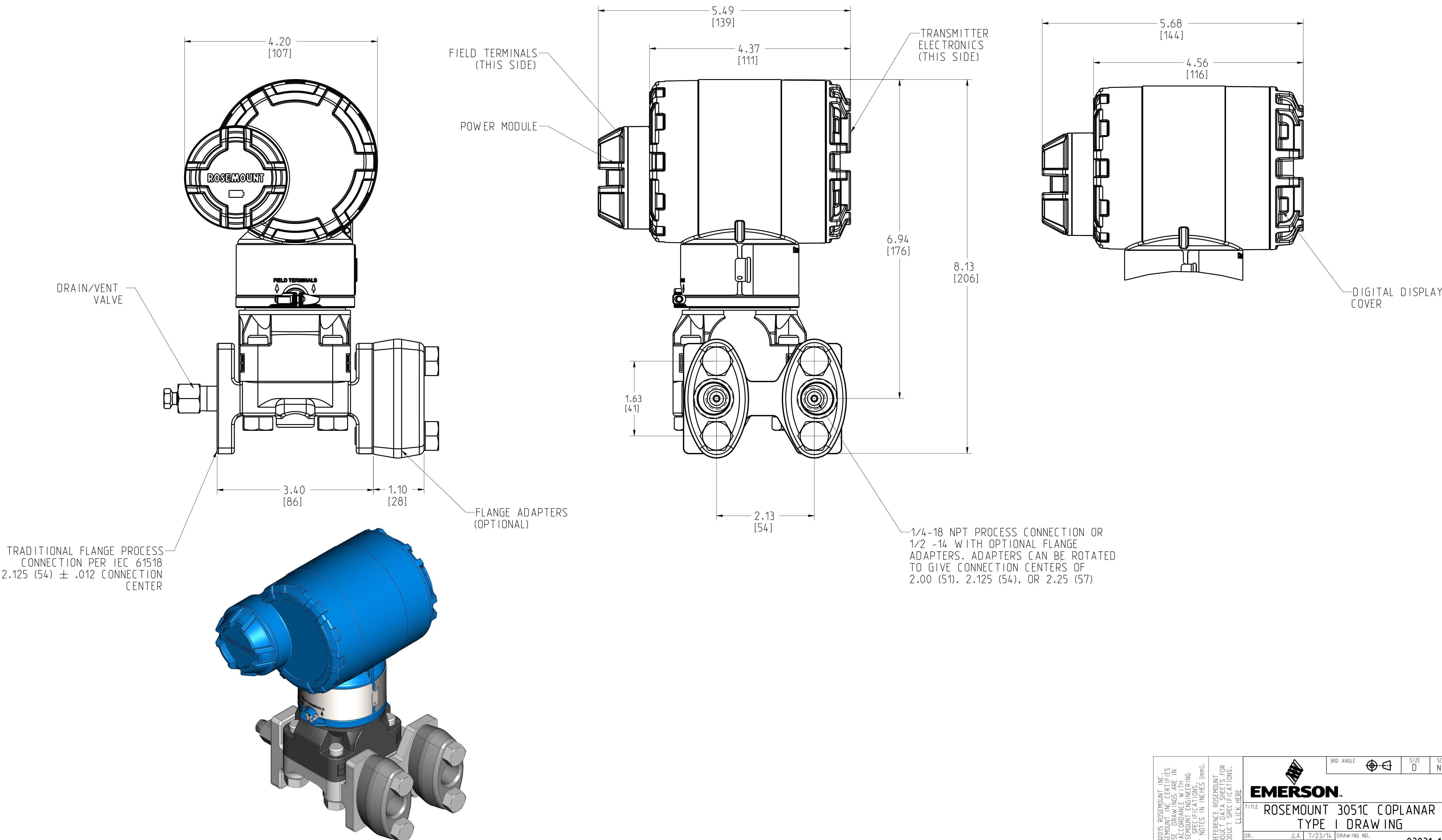
SIZE D

SCALE NTS

ROSEMOUNT 3051C WIRELESS COPLANAR PRESSURE TRANSMITTER TRADITIONAL FLANGE MOUNTING CONFIGURATIONS

OUTPUT CODE X
POLYMER HOUSING

SHOWN WITH OPTIONAL DIGITAL DISPLAY



©2015 ROSEMOUNT, INC. ALL RIGHTS RESERVED. THIS DRAWING IS UNCLASSIFIED IN ACCORDANCE WITH ROSEMOUNT ENGINEERING SPECIFICATIONS. UNIT NOTES IN INCHES (mm).

REFERENCE ROSEMOUNT PRODUCT SPECIFICATIONS. CLICK HERE

CAD MAINTAINED. (PRO/E)

3RD ANGLE

EMERSON

TITLE ROSEMOUNT 3051C COPLANAR TYPE I DRAWING

DR. JLA 7/23/14 DRAWING NO. 03031-1011

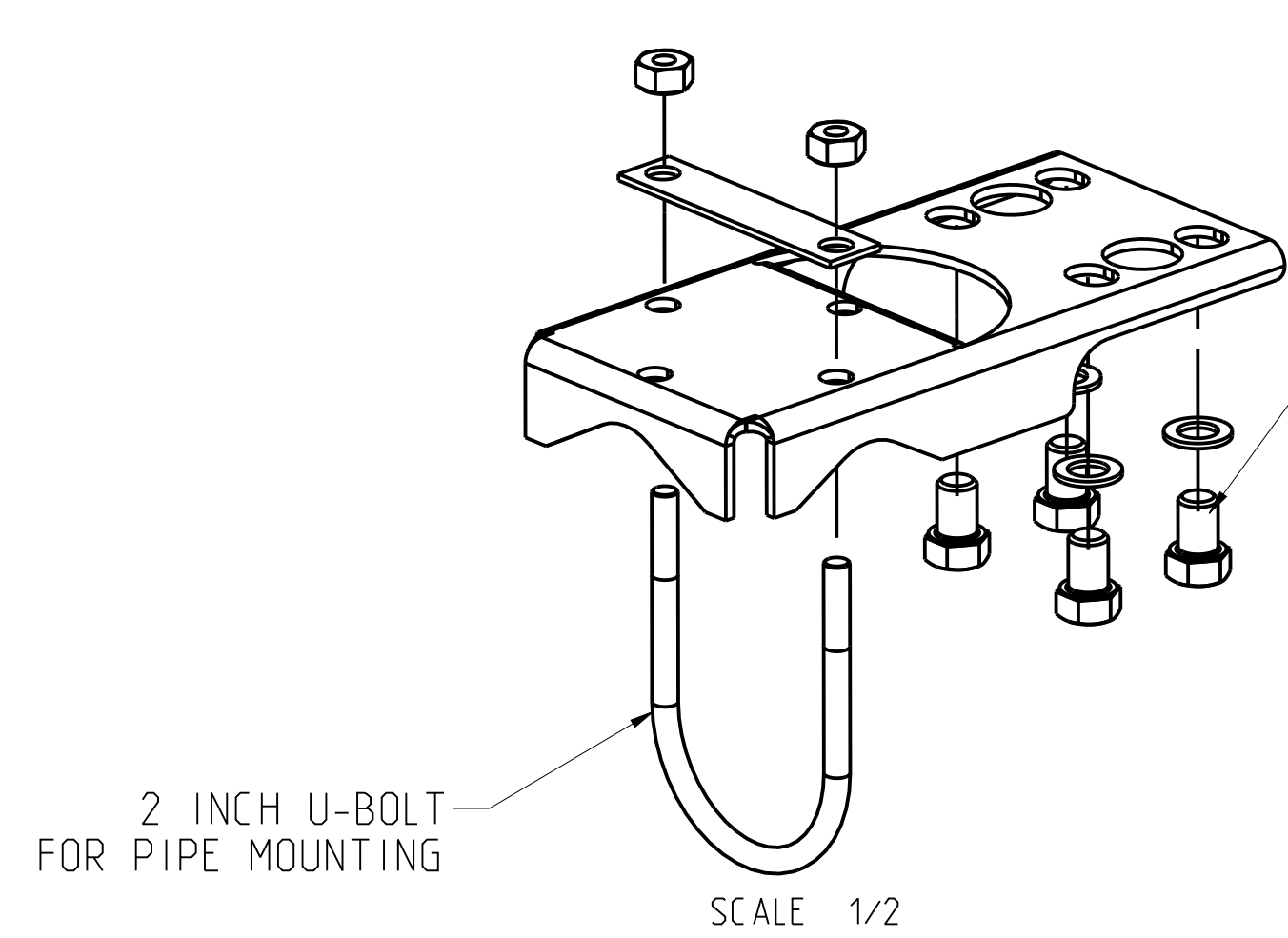
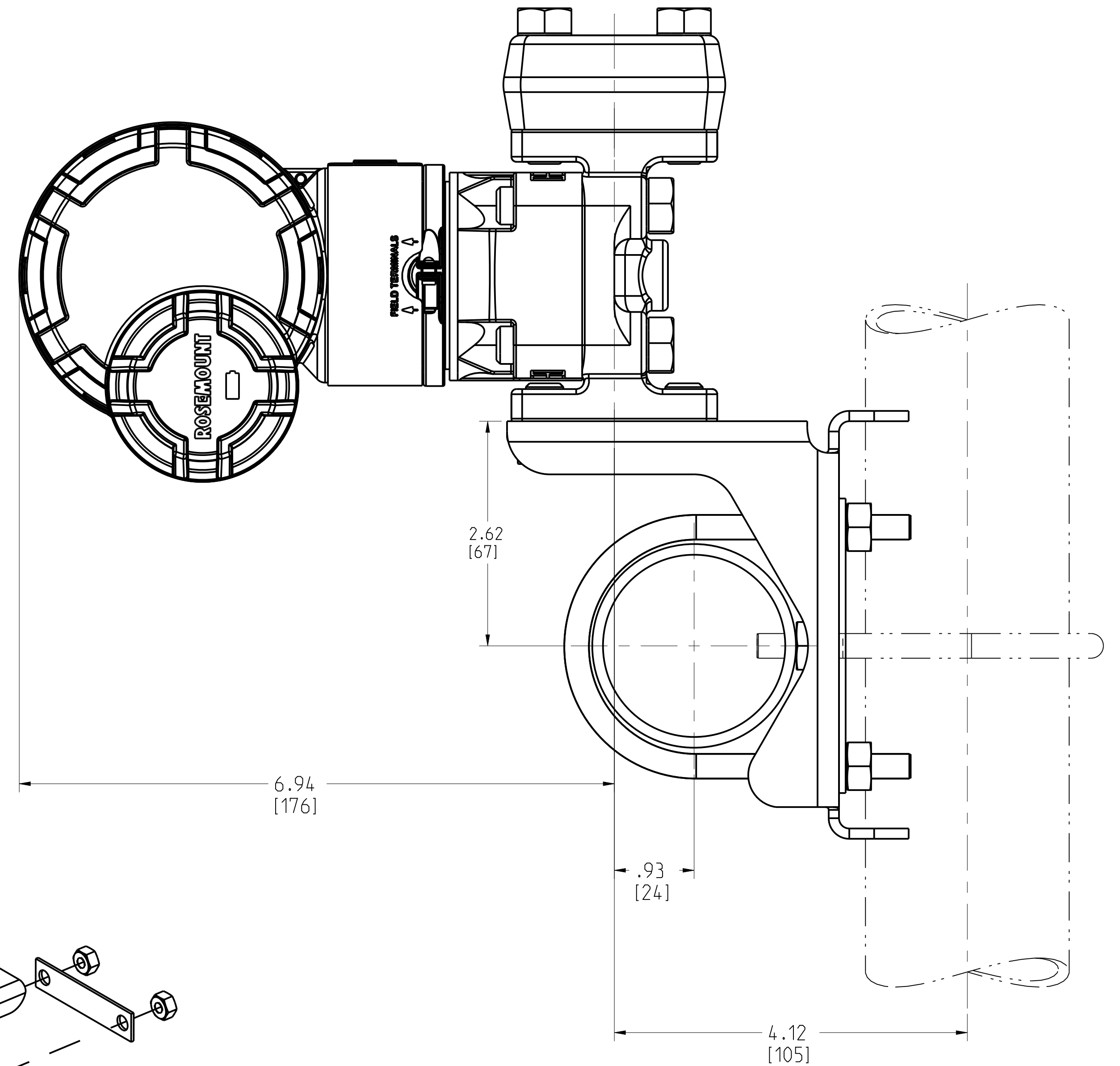
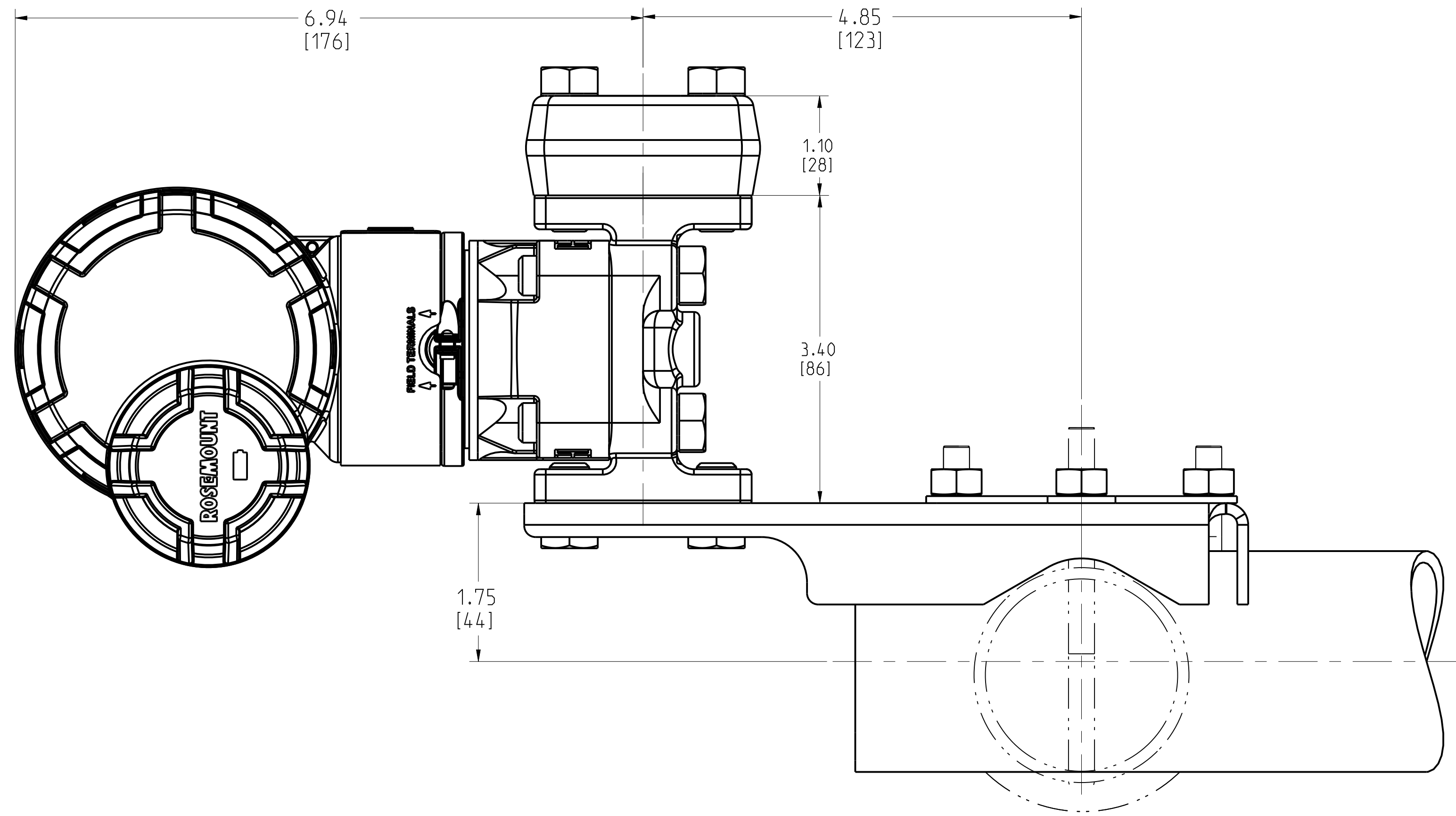
APP'D J. FRIEZ 7/23/14

SIZE D SCALE NTS

SHEET 8 OF 10

ROSEMOUNT 3051C WIRELESS COPLANAR PRESSURE TRANSMITTER
 TRADITIONAL FLANGE MOUNTING CONFIGURATIONS

PIPE MOUNTING



7/16-20 x 5/8 BOLTS FOR TRANSMITTER MOUNTING

2 INCH U-BOLT FOR PIPE MOUNTING

7/16-20 x 5/8 BOLTS FOR TRANSMITTER MOUNTING

©2015 ROSEMOUNT, INC. ALL RIGHTS RESERVED. THIS DRAWING IS THE PROPERTY OF ROSEMOUNT ENGINEERING. UNLESS OTHERWISE SPECIFIED, DIMENSIONS ARE IN INCHES (MILLIMETERS).

REFERENCE ROSEMOUNT PRODUCT SPECIFICATIONS. CLICK HERE

3RD ANGLE

EMERSON

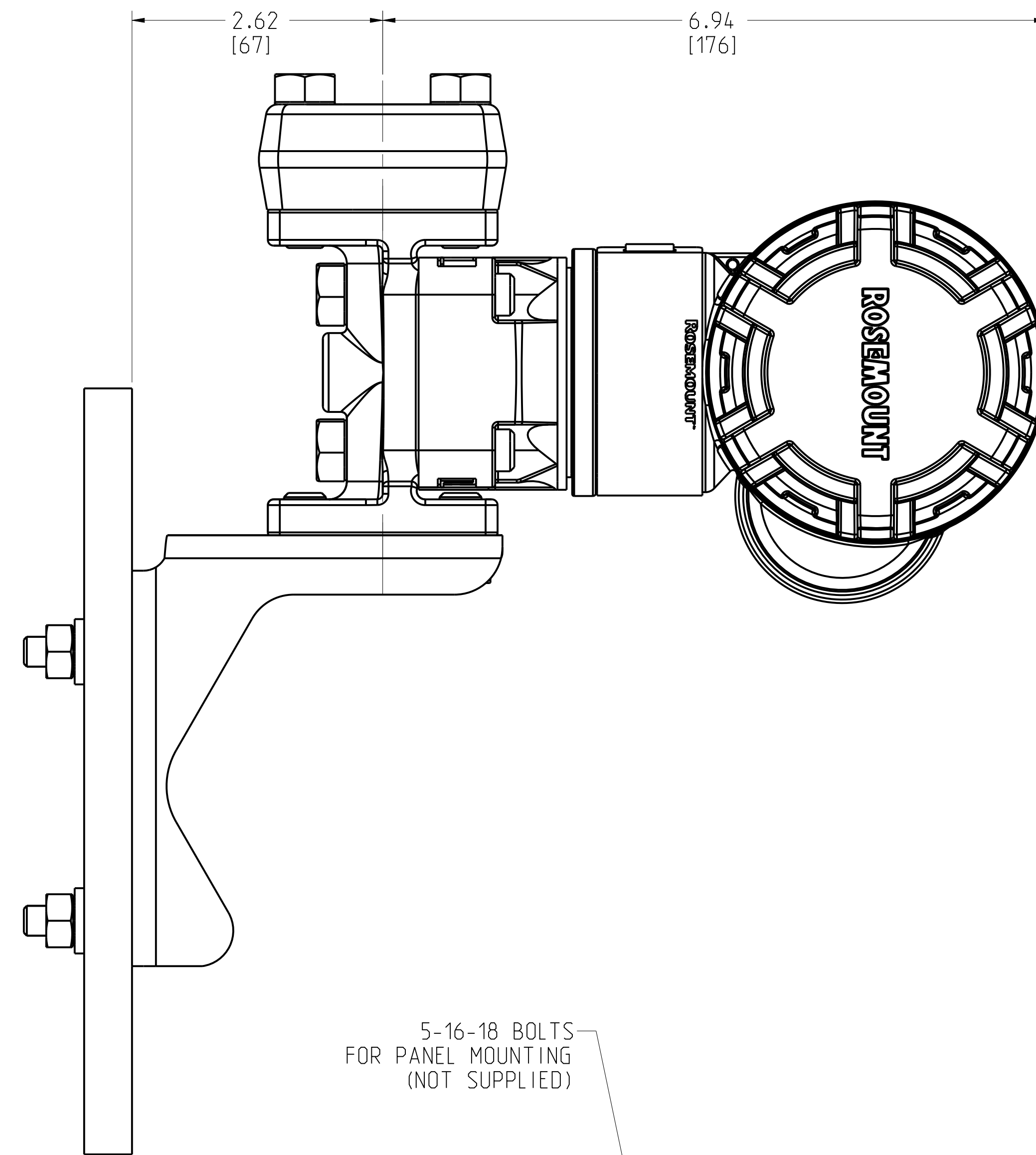
TITLE ROSEMOUNT 3051C COPLANAR TYPE I DRAWING

DR. JLA 7/23/14 DRAWING NO. 03031-1011

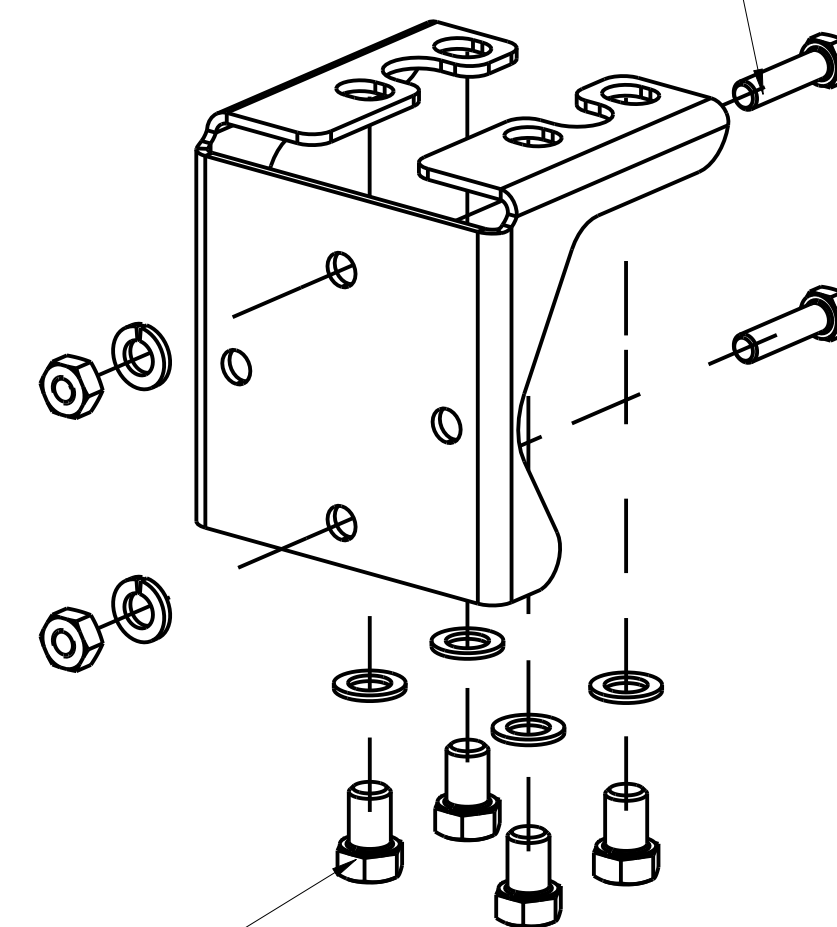
APP'D J. FRIEZ 7/23/14

CAD MAINTAINED (PRO/EI) SHEET 9 OF 10

ROSEMOUNT 3051C WIRELESS COPLANAR PRESSURE TRANSMITTER
 TRADITIONAL FLANGE MOUNTING CONFIGURATIONS



5-16-18 BOLTS
 FOR PANEL MOUNTING
 (NOT SUPPLIED)



7/16-20 x 5/8 BOLTS
 FOR TRANSMITTER MOUNTING

SCALE 1/2

©2015 ROSEMOUNT, INC.
 ROSEMOUNT AND ALL OTHER TRADE NAMES
 ARE THE PROPERTY OF ROSEMOUNT ENGINEERING
 AND ARE USED HEREIN UNDER LICENSE.
 ALL RIGHTS RESERVED.

EMERSON

TITLE ROSEMOUNT 3051C COPLANAR
 TYPE I DRAWING

DR. JLA 7/23/14 DRAWING NO. 03031-1011

APP'D J. FRIEZ 7/23/14

CAD MAINTAINED: (PRO/EI) SHEET 10 OF 10

3RD ANGLE

SIZE D

SCALE NTS

REFERENCE ROSEMOUNT PRODUCT SPECIFICATIONS.
 CLICK HERE