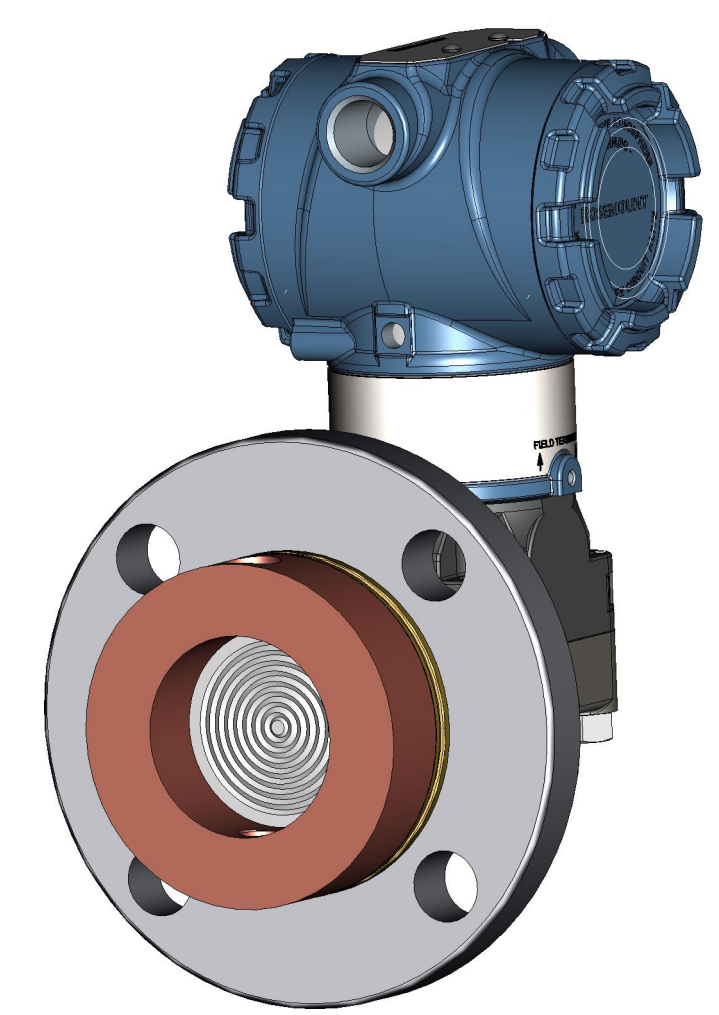
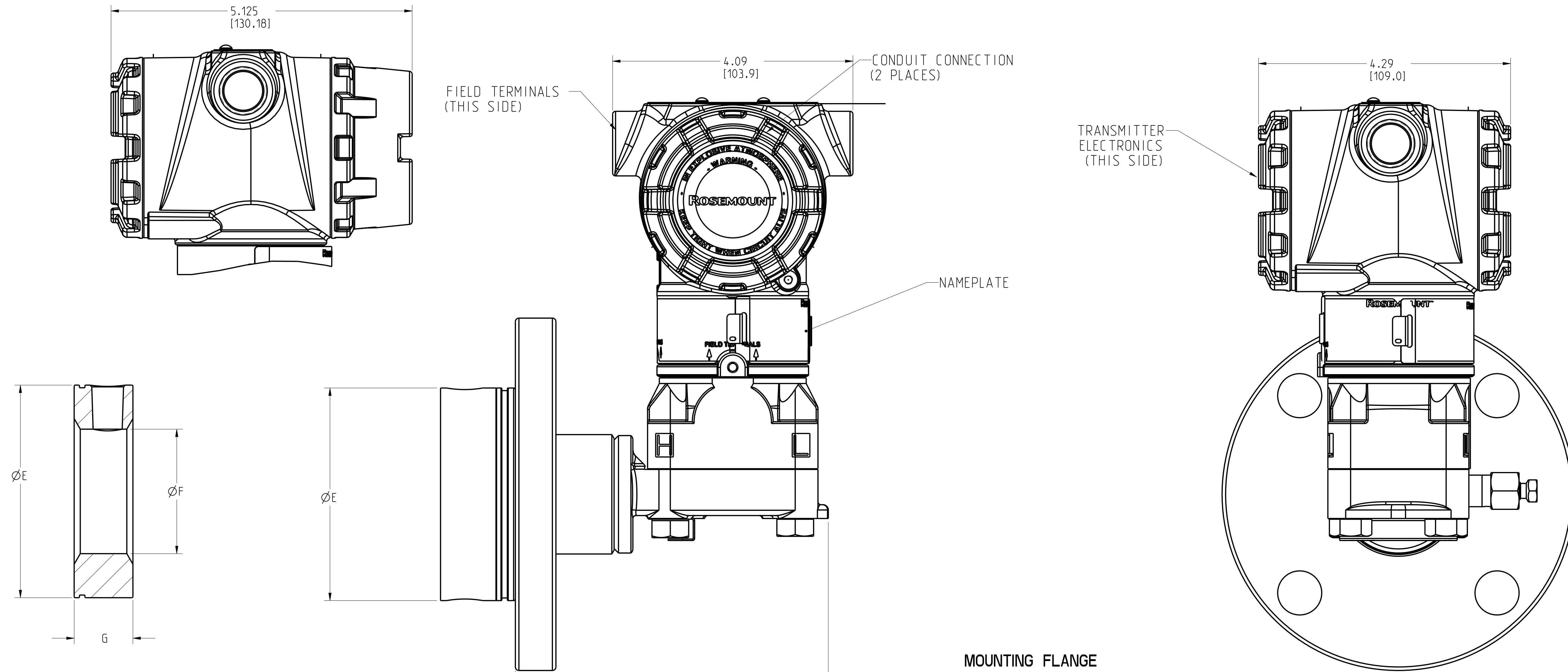


ROSEMOUNT 3051L LIQUID LEVEL PRESSURE TRANSMITTER COPLANER FLANGE PROCESS CONFIGURATIONS

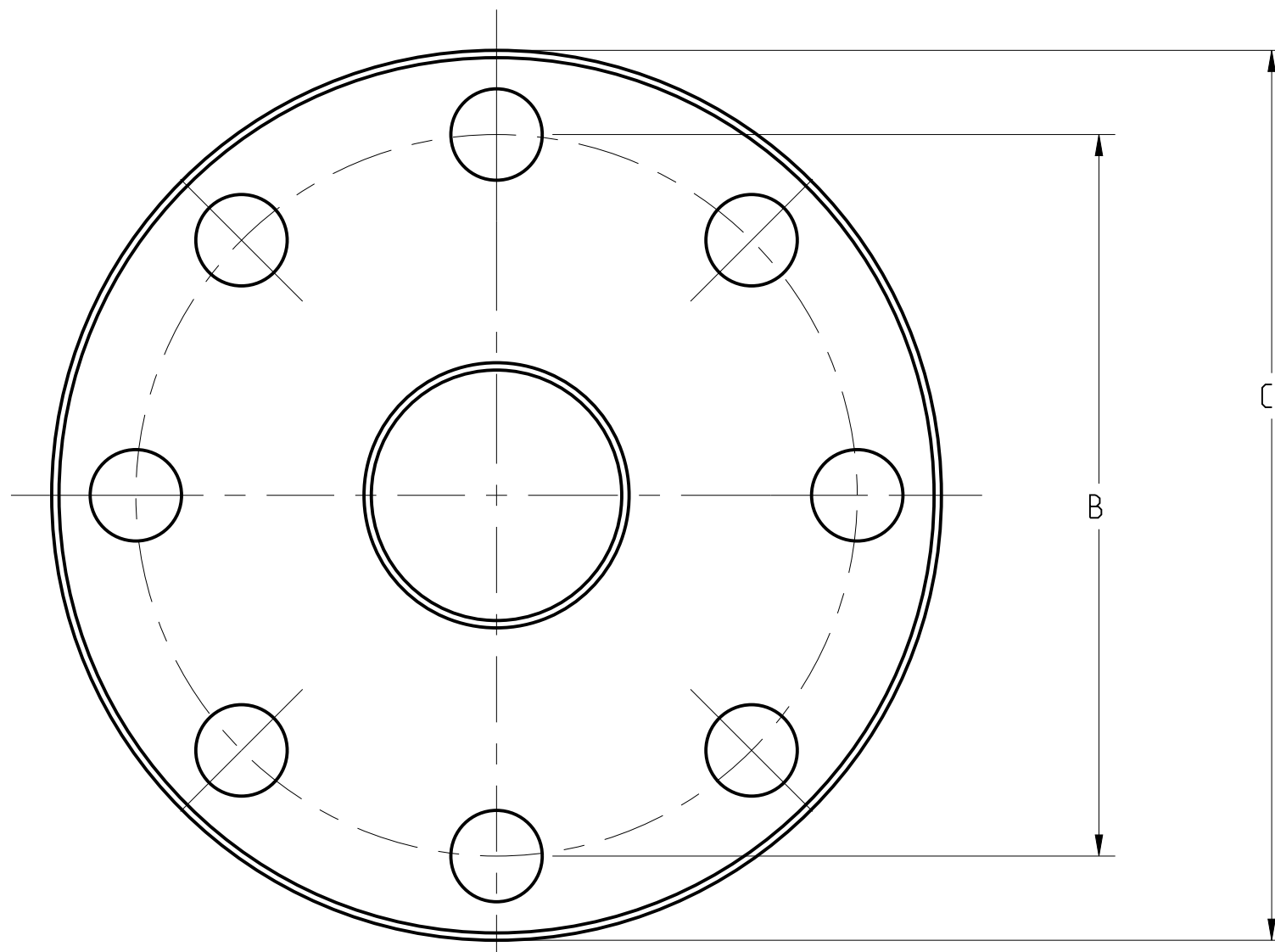
REVISION TABLE			
REVISION	ECO NO.	APP'D	DATE
AE	RTC1076375	C. OBERLE	12/18/20
DESCRIPTION			
ADD HS OPTION FOR WIRELESS			

SHOWN WITH OPTIONAL DIGITAL DISPLAY

OUTPUT CODE (A), (F), (M), AND (W)
ALUMINUM/SST HOUSING



MOUNTING FLANGE



1/4-18 NPT PROCESS CONNECTION OR
1/2-18 NPT PROCESS CONNECTION w/ OPTIONAL FLANGE ADAPTERS
(DIFFERENTIAL CONFIGURATION ONLY)

©2015 ROSEMOUNT, INC. ALL RIGHTS RESERVED. THIS DRAWING IS THE PROPERTY OF ROSEMOUNT, INC. AND IS TO BE USED ONLY FOR THE PROJECT AND PRODUCT SPECIFICATIONS. UNIT NOTES IN INCHES (mm).

REFERENCE ROSEMOUNT PRODUCT SPECIFICATIONS. CLICK HERE

DR. J. ARMSTRONG 2/6/19 DRAWING NO. 03031-1030

APP'D N. MEIDL 2/6/19

CAD MAINTAINED (PRO/E) SHEET 1 OF 3

EMERSON

ROSEMOUNT 3051L LIQUID LEVEL TYPE I DRAWING

3RD ANGLE

SIZE D

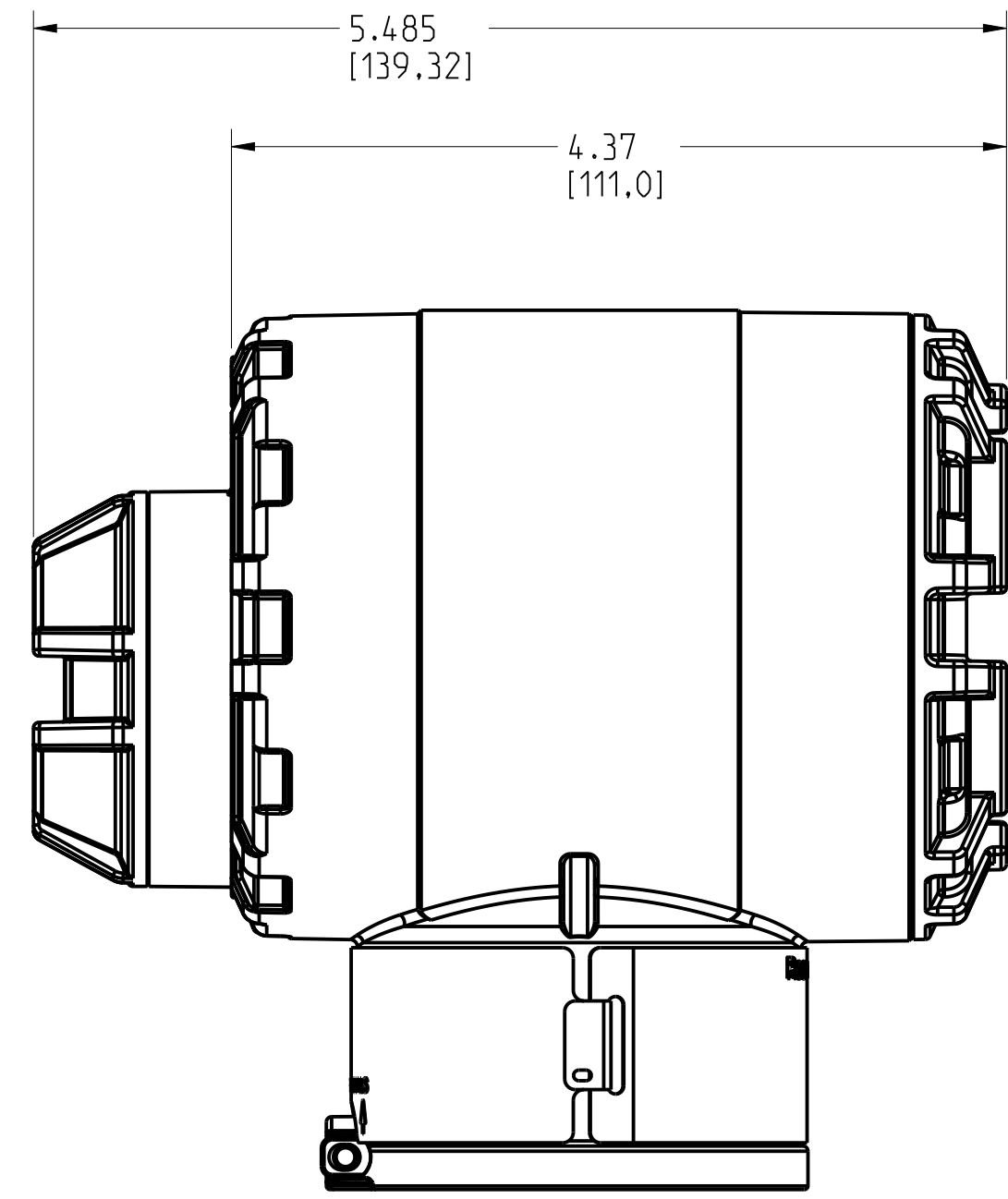
SCALE NTS

**ROSEMOUNT 3051L LIQUID LEVEL PRESSURE TRANSMITTER
COPLANER FLANGE PROCESS CONFIGURATIONS**

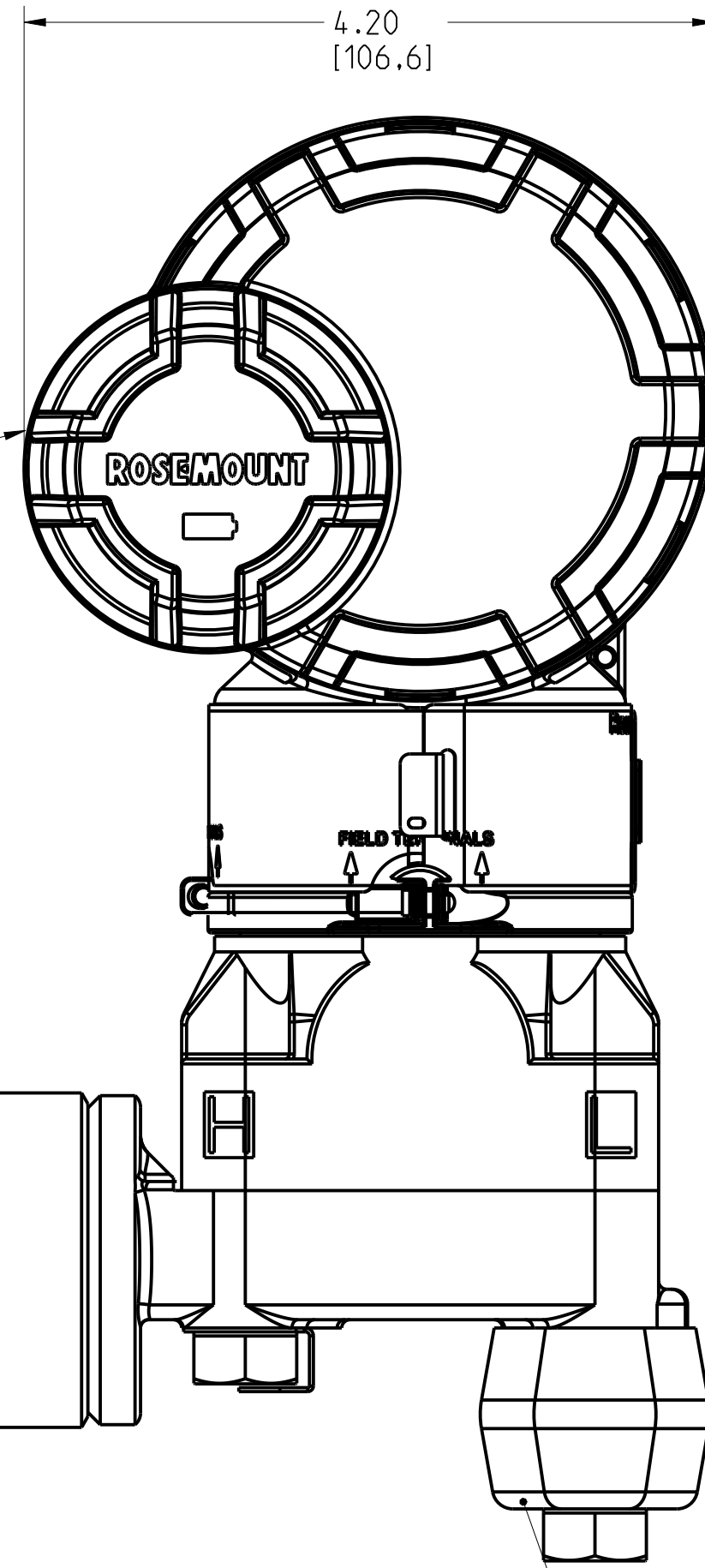
SHOWN WITH OPTIONAL DIGITAL DISPLAY

SHOWN WITH HS OPTION

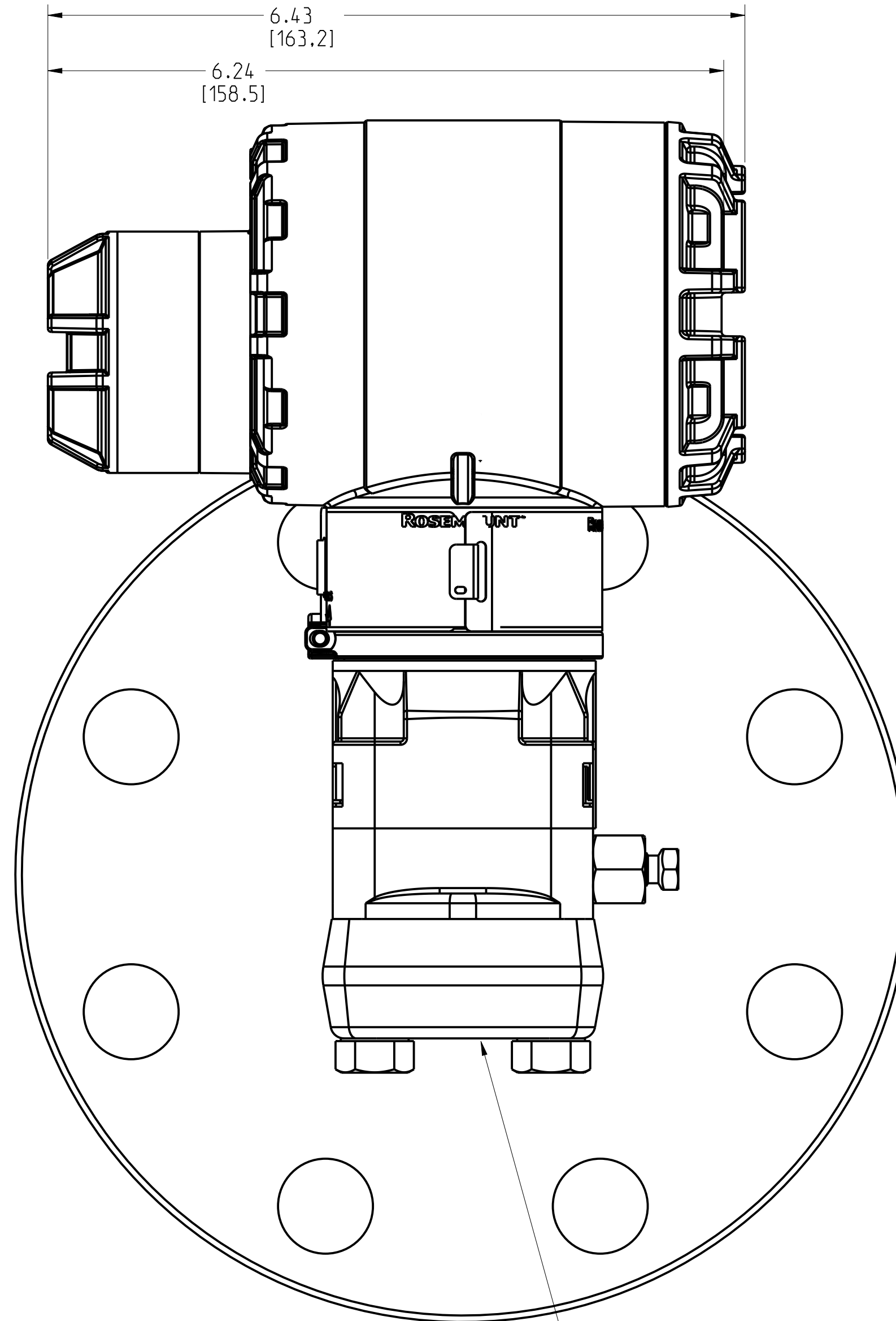
OUTPUT CODE X
POLYMER HOUSING



FIELD TERMINALS
(THIS SIDE)

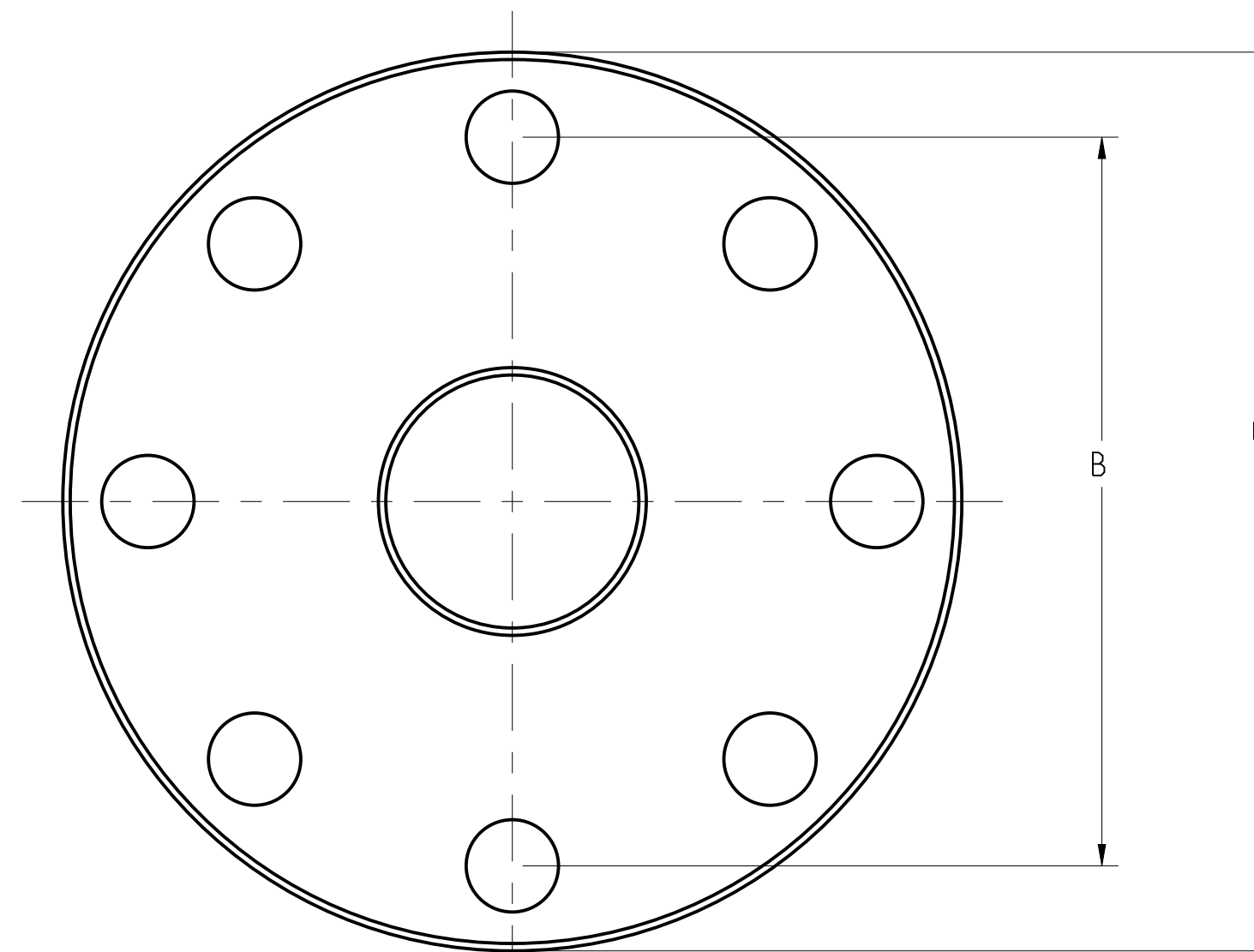
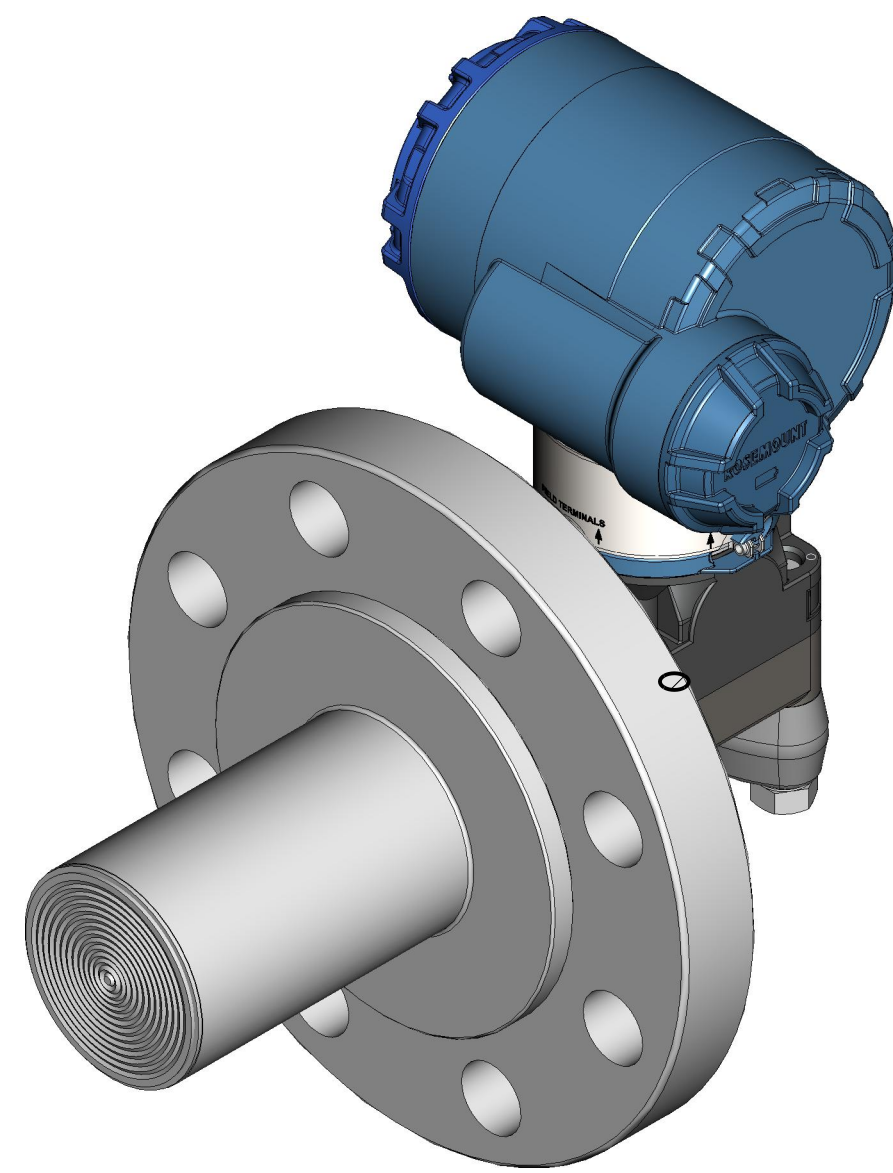


FLANGE ADAPTERS
(OPTIONAL)



2, 4, 6" EXTENSION
(ONLY AVAILABLE WITH 3 AND 4" DN80, DN100 FLANGE
CONFIGURATION)

1/4-18 NPT PROCESS CONNECTION OR
1/2-18 NPT PROCESS CONNECTION w/ OPTIONAL FLANGE ADAPTERS
(DIFFERENTIAL CONFIGURATION ONLY)



©2015 ROSEMOUNT, INC.
ROSEMOUNT INC. ACCEPTS
THESE DRAWINGS AS A BASIS
FOR ACCORDANCE WITH
ROSEMOUNT ENGINEERING
SPECIFICATIONS.
UNIT NOTES IN INCHES (mm).

REFERENCE ROSEMOUNT
PRODUCT SPECIFICATIONS.
CLICK HERE

		3RD ANGLE		SIZE D	SCALE NTS
ROSEMOUNT 3051L LIQUID LEVEL TYPE I DRAWING					
DR. J. ARMSTRONG	2/6/19	DRAWING NO.		03031-1030	
APP'D N. MEIDL	2/6/19				
CAD MAINTAINED (PRO/E)				SHEET 2 OF 3	

TABLE 1

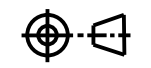
CLASS	PIPE SIZE	FLANGE THICKNESS	BOLT CIRCLE DIAMETER B	OUTSIDE DIAMETER C	NO. OF BOLTS	BOLT HOLE DIAMETER	EXTENSION DIAMETER D	O.D. GASKET SURFACE E
ASME B16.5 (ANSI) 150	2 (51)	0.69 (18)	4.75 (121)	6.0 (152)	4	0.75 (19)	NA	3.6 (92)
	3 (76)	0.88 (22)	6.0 (152)	7.5 (191)	4	0.75 (19)	2.58 (66)	5.0 (127)
	4 (102)	0.88 (22)	7.5 (191)	9.0 (229)	8	0.75 (19)	3.5 (89)	6.2 (158)
ASME B16.5 (ANSI) 300	2 (51)	0.82 (21)	5.0 (127)	6.5 (165)	8	0.75 (19)	NA	3.6 (92)
	3 (76)	1.06 (27)	6.62 (168)	8.25 (210)	8	0.88 (22)	2.58 (66)	5.0 (127)
	4 (102)	1.19 (30)	7.88 (200)	10.0 (254)	8	0.88 (22)	3.5 (89)	6.2 (158)
ASME B16.5 (ANSI) 600	2 (51)	1.00 (25)	5.0 (127)	6.5 (165)	8	0.75 (19)	NA	3.6 (92)
	3 (76)	1.25 (32)	6.62 (168)	8.25 (210)	8	0.88 (22)	2.58 (66)	5.0 (127)
	4 (102)	1.19 (30)	7.88 (200)	10.0 (254)	8	0.88 (22)	3.5 (89)	6.2 (158)
DIN 2501 PN 10-40	DN 50	20 mm	125 mm	165 mm	4	18 mm	NA	4.0 (102)
DIN 2501 PN 25/40	DN 80	24 mm	160 mm	200 mm	8	18 mm	66 mm	5.4 (138)
	DN 100	24 mm	190 mm	235 mm	8	22 mm	89 mm	6.2 (158)
DIN 2501 PN 10/16	DN 100	20 mm	180 mm	220 mm	8	18 mm	89 mm	6.2 (158)

TABLE 2

CLASS	PIPE SIZE	INNER DIAMETER F	LOWER HOUSING G 1/4 in. NPT	LOWER HOUSING G 1/2 in. NPT	H
ASME B16.5 (ANSI) 150	2 (51)	2.12 (54)	0.97 (25)	1.31 (33)	5.65 (143)
	3 (76)	3.6 (91)	0.97 (25)	1.31 (33)	5.65 (143)
	4 (102)	3.6 (91)	0.97 (25)	1.31 (33)	5.65 (143)
ASME B16.5 (ANSI) 300	2 (51)	2.12 (54)	0.97 (25)	1.31 (33)	5.65 (143)
	3 (76)	3.6 (91)	0.97 (25)	1.31 (33)	5.65 (143)
	4 (102)	3.6 (91)	0.97 (25)	1.31 (33)	5.65 (143)
ASME B16.5 (ANSI) 600	2 (51)	2.12 (54)	0.97 (25)	1.31 (33)	7.65 (194)
	3 (76)	3.6 (91)	0.97 (25)	1.31 (33)	7.65 (194)
	4 (102)	3.6 (91)	0.97 (25)	1.31 (33)	7.65 (194)
DIN 2501 PN 10-40	DN 50	2.4 (61)	0.97 (25)	1.31 (33)	5.65 (143)
DIN 2501 PN 25-40	DN 80	3.6 (91)	0.97 (25)	1.31 (33)	5.65 (143)
	DN 100	3.6 (91)	0.97 (25)	1.31 (33)	5.65 (143)
DIN 2501 PN 10/16	DN 100	3.6 (91)	0.97 (25)	1.31 (33)	5.65 (143)

©2015 ROSEMOUNT, INC.
ROSEMOUNT AND ALL OTHER
TRADEMARKS ARE REGISTERED IN
THESE DRAWINGS. ALL RIGHTS RESERVED.
ROSEMOUNT ENGINEERING
SPECIFICATIONS.
UNIT NOTES IN INCHES (mm).

REFERENCE ROSEMOUNT
PRODUCT SPECIFICATIONS.
CLICK HERE

3RD ANGLE  SIZE D SCALE NTS

EMERSON

ROSEMOUNT 3051L LIQUID LEVEL
TYPE I DRAWING

DR. J. ARMSTRONG 2/6/19 DRAWING NO. 03031-1030

APP'D N. MEIDL 2/6/19

CAD MAINTAINED (PRO/EI) SHEET 3 OF 3