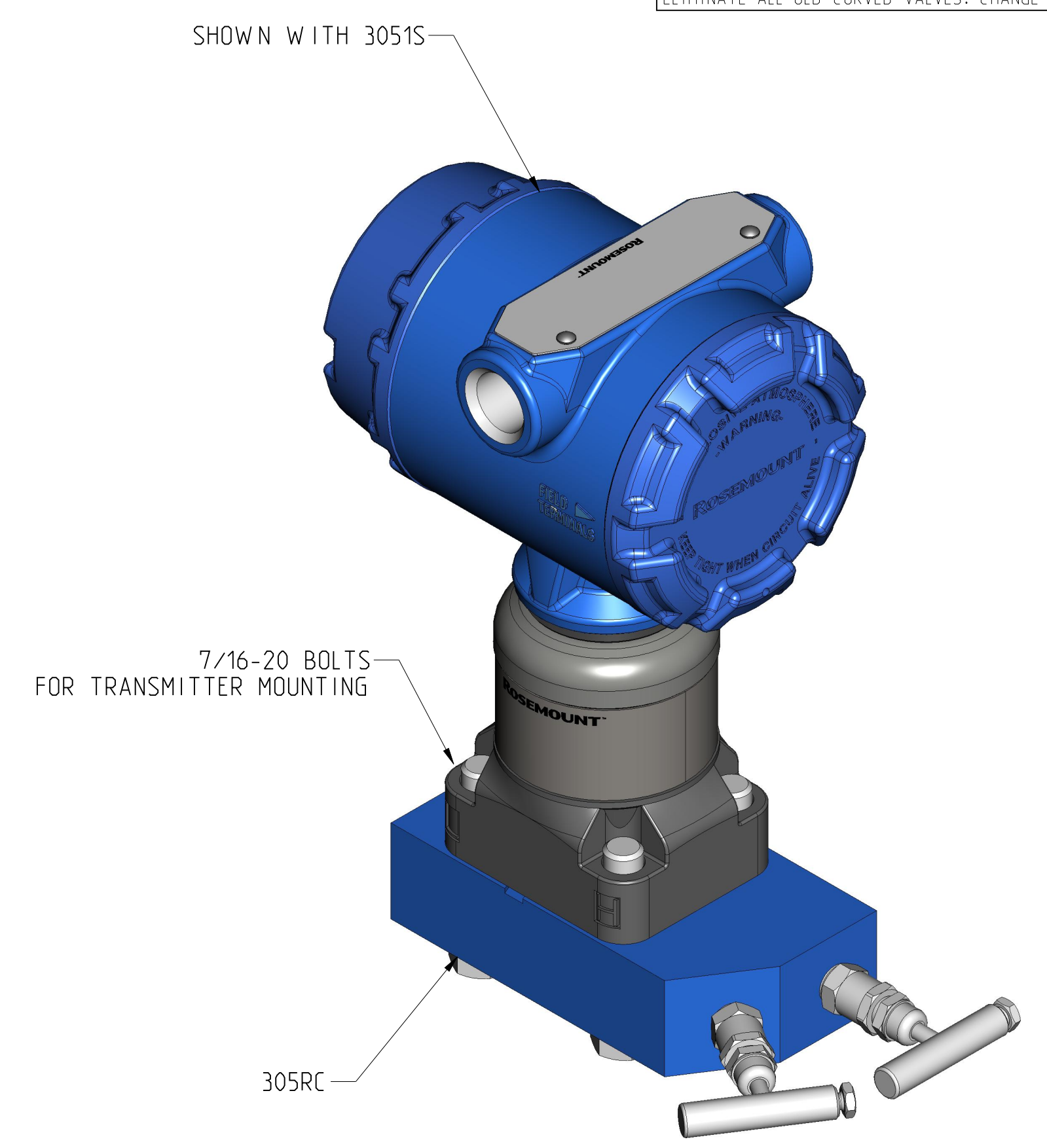
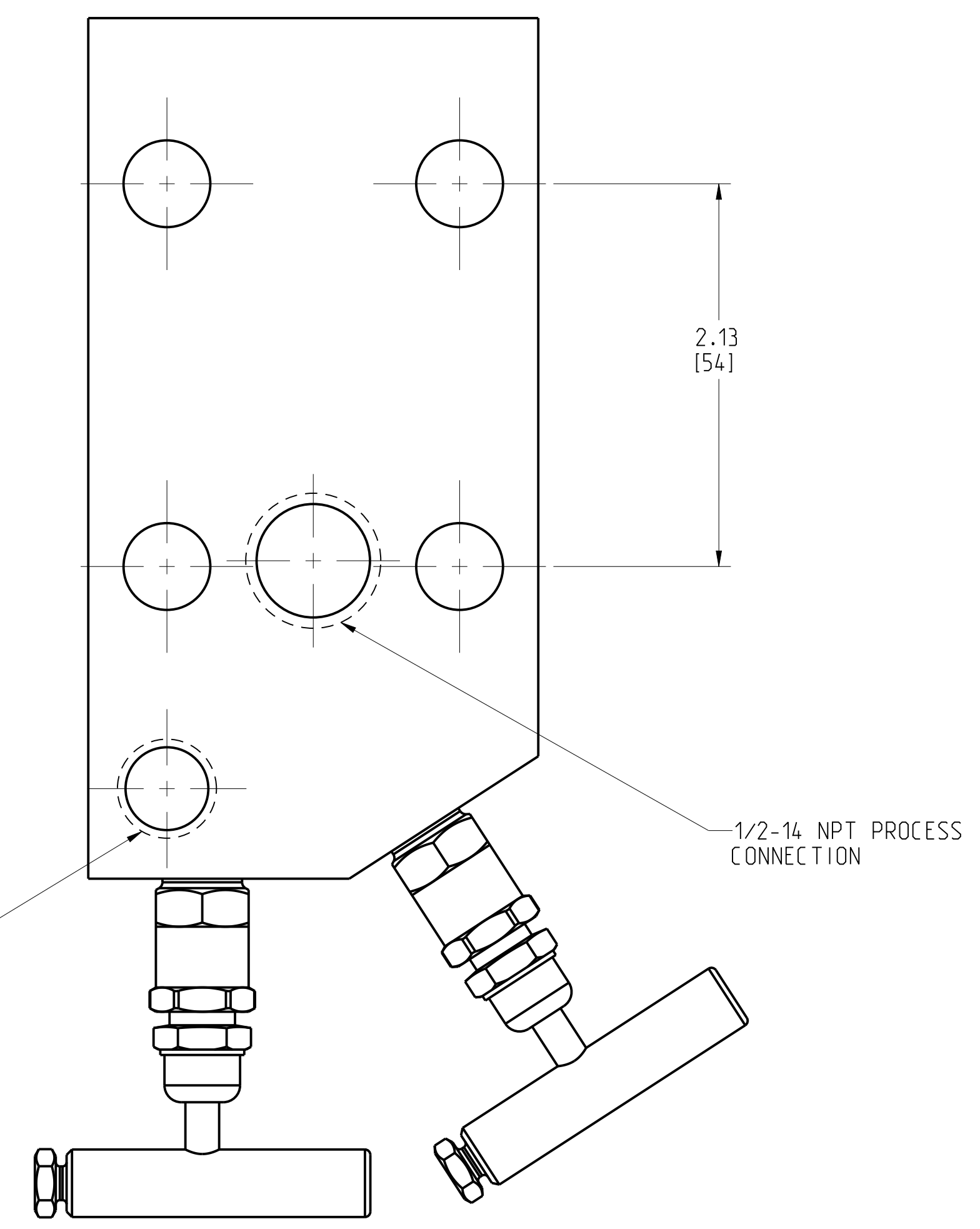
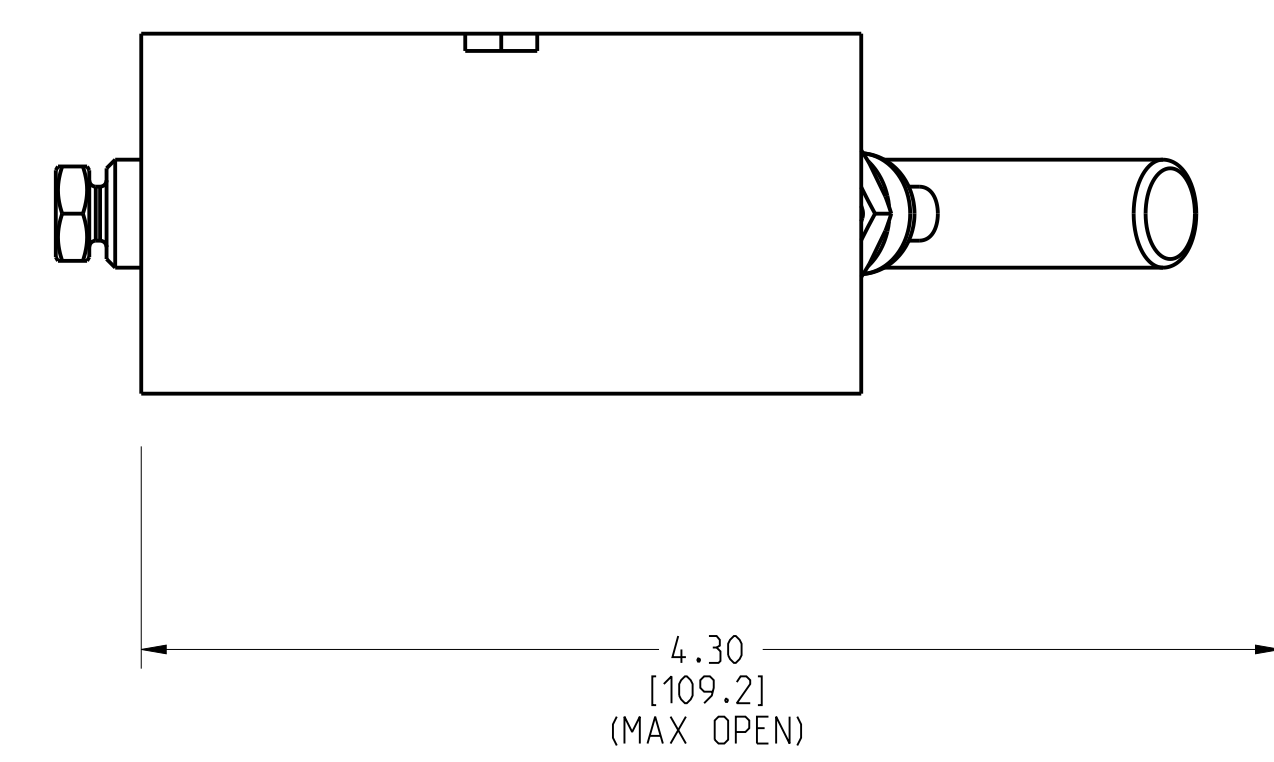
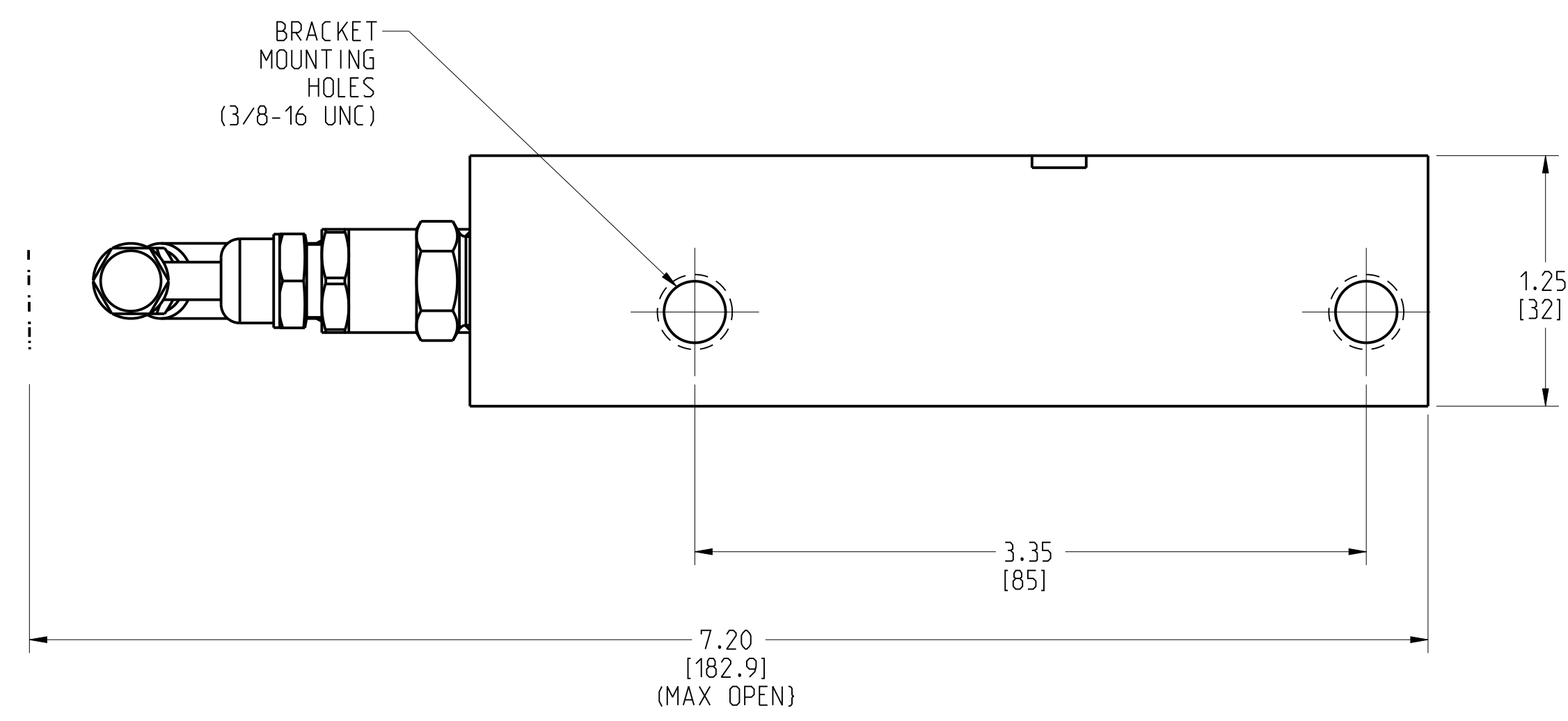


MODEL 305RC2 TWO VALVE COPLANAR STYLE MANIFOLD  
 MODEL 305RC7 TWO VALVE (ASME B31.1/B31.3)

REVISION TABLE			
REVISION	ECO NO.	APP'D	DATE
AG	RTC1077887	B.BECKER	8/25/21
DESCRIPTION			
ELIMINATE ALL OLD CURVED VALVES. CHANGE DESCRIPTION ON PAGES 1-5.			



©2015 ROSEMOUNT, INC. ROSEMOUNT AND LOGO ARE TRADEMARKS OF ROSEMOUNT ENGINEERING SPECIFICATIONS. UNIT NOTES IN INCHES (mm).

REFERENCE ROSEMOUNT PRODUCT SPECIFICATIONS. CLICK HERE

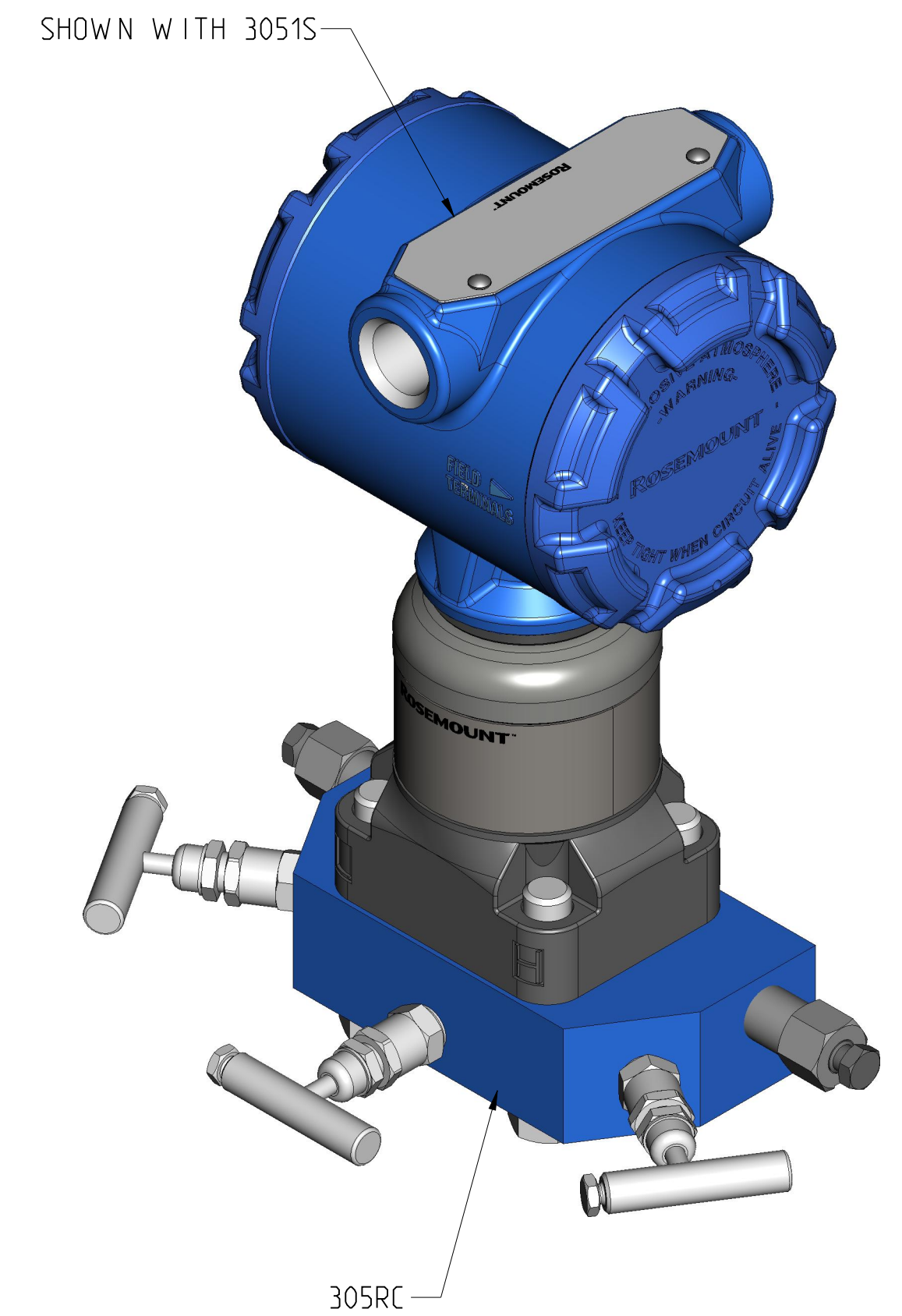
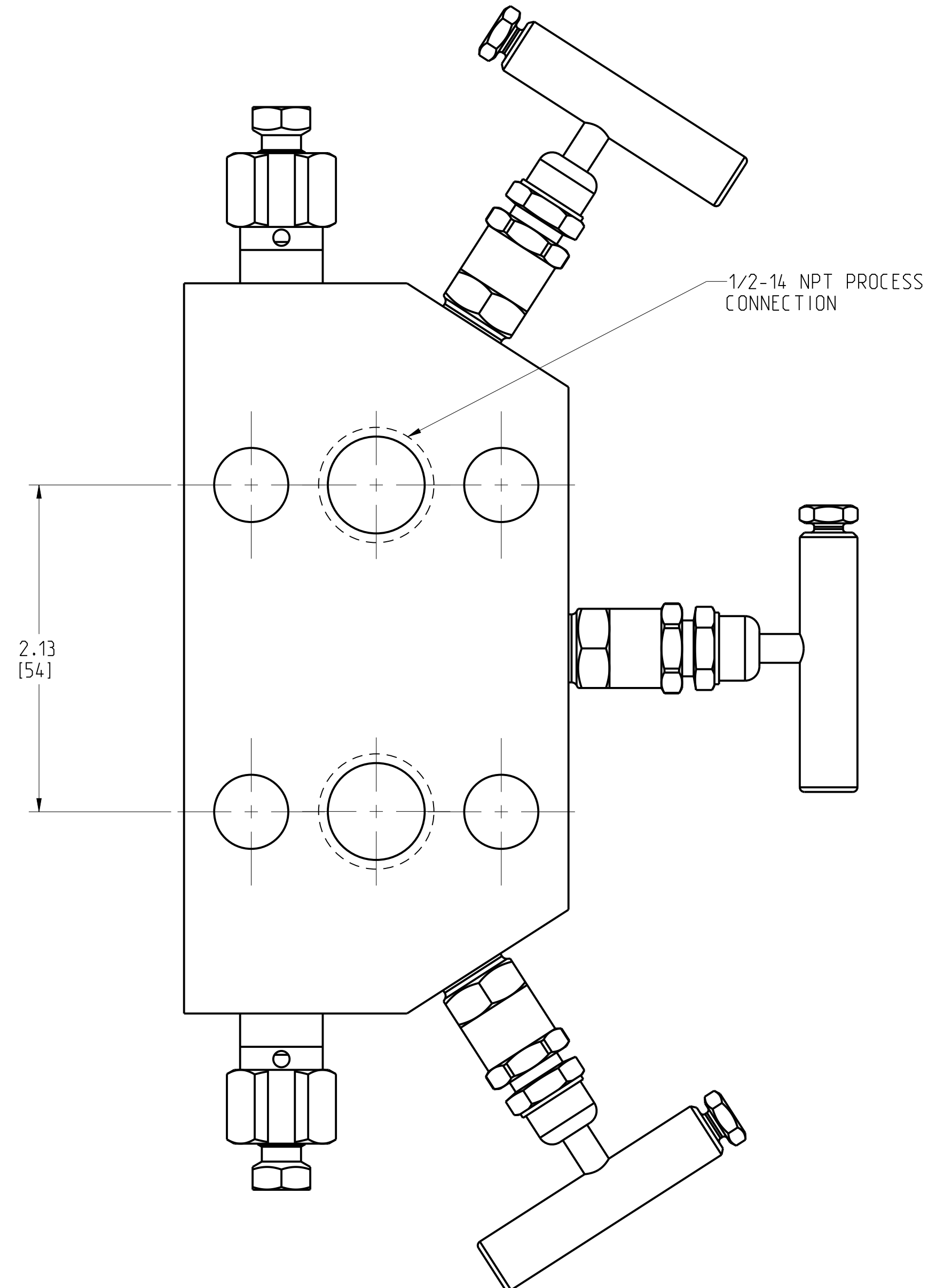
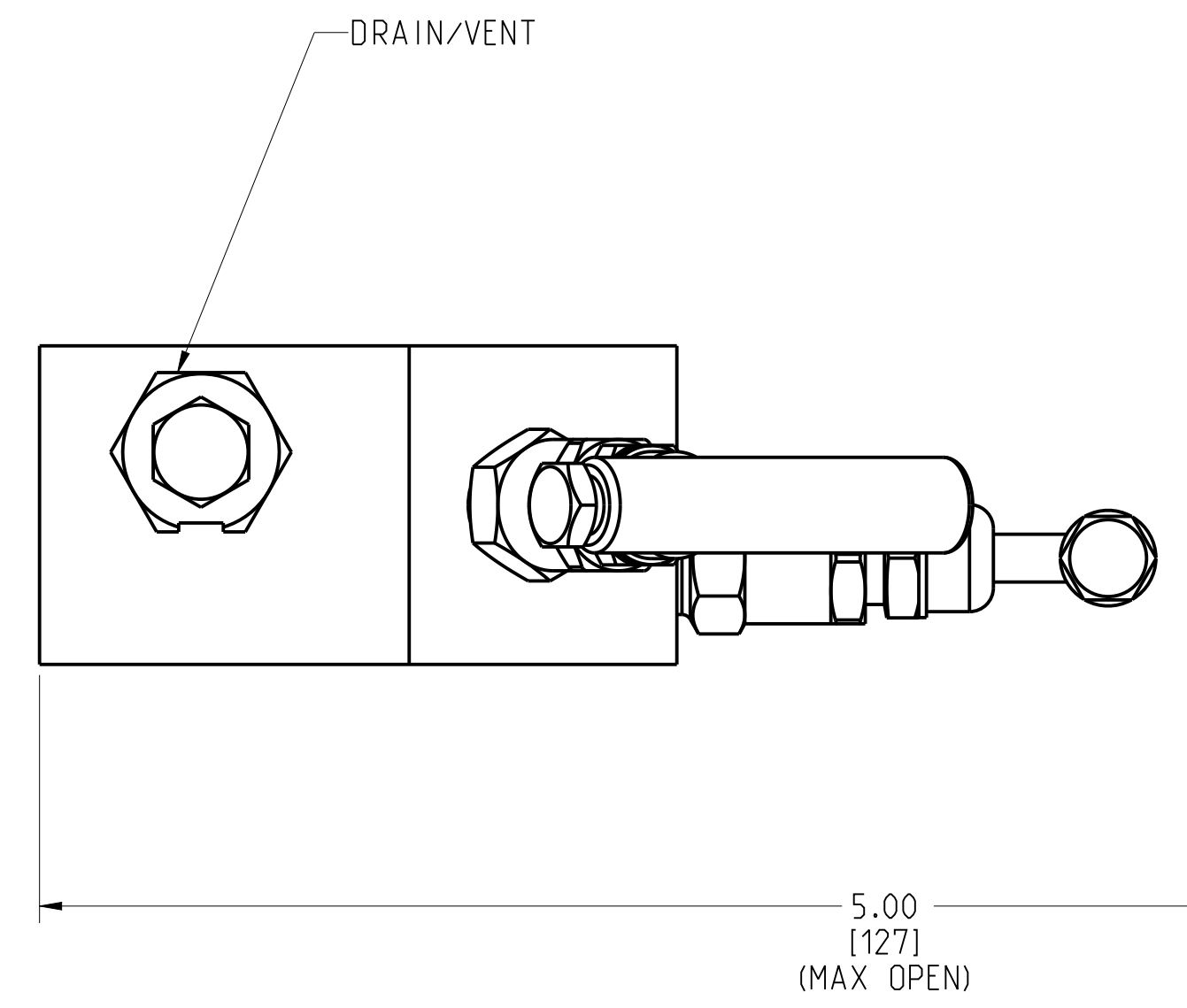
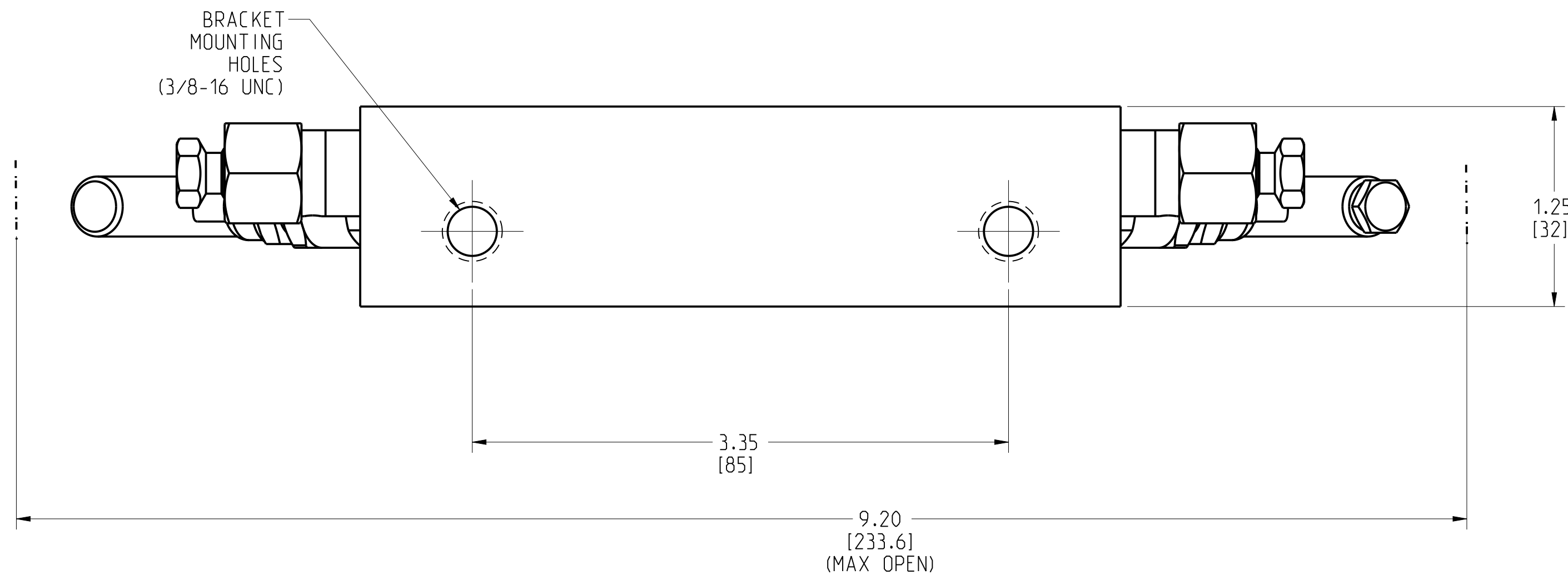
EMERSON

TITLE ROSEMOUNT 305RC MANIFOLD TYPE I DRAWING

DR.	JLA	2/5/13	DRAWING NO.	00305-3010
APP'D	FL	2/6/13		

CAD MAINTAINED. (PRO/E) SHEET 1 OF 9

**MODEL 305RC3 THREE VALVE COPLANAR STYLE MANIFOLD**  
**MODEL 305RC8 THREE VALVE (ASME B31.1/B31.3)**



©2015 ROSEMOUNT, INC. ROSEMOUNT AND CLEARVIEW ARE TRADEMARKS OF ROSEMOUNT, INC. IN THE U.S. AND OTHER COUNTRIES. ALL RIGHTS RESERVED. THIS DRAWING IS TO BE USED IN ACCORDANCE WITH THE ROSEMOUNT ENGINEERING SPECIFICATIONS. UNIT NOTES IN INCHES (mm).

REFERENCE ROSEMOUNT PRODUCT SPECIFICATIONS FOR PRODUCT SPECIFICATIONS. CLICK HERE

CAD MAINTAINED (PRO/E)

3RD ANGLE

EMERSON

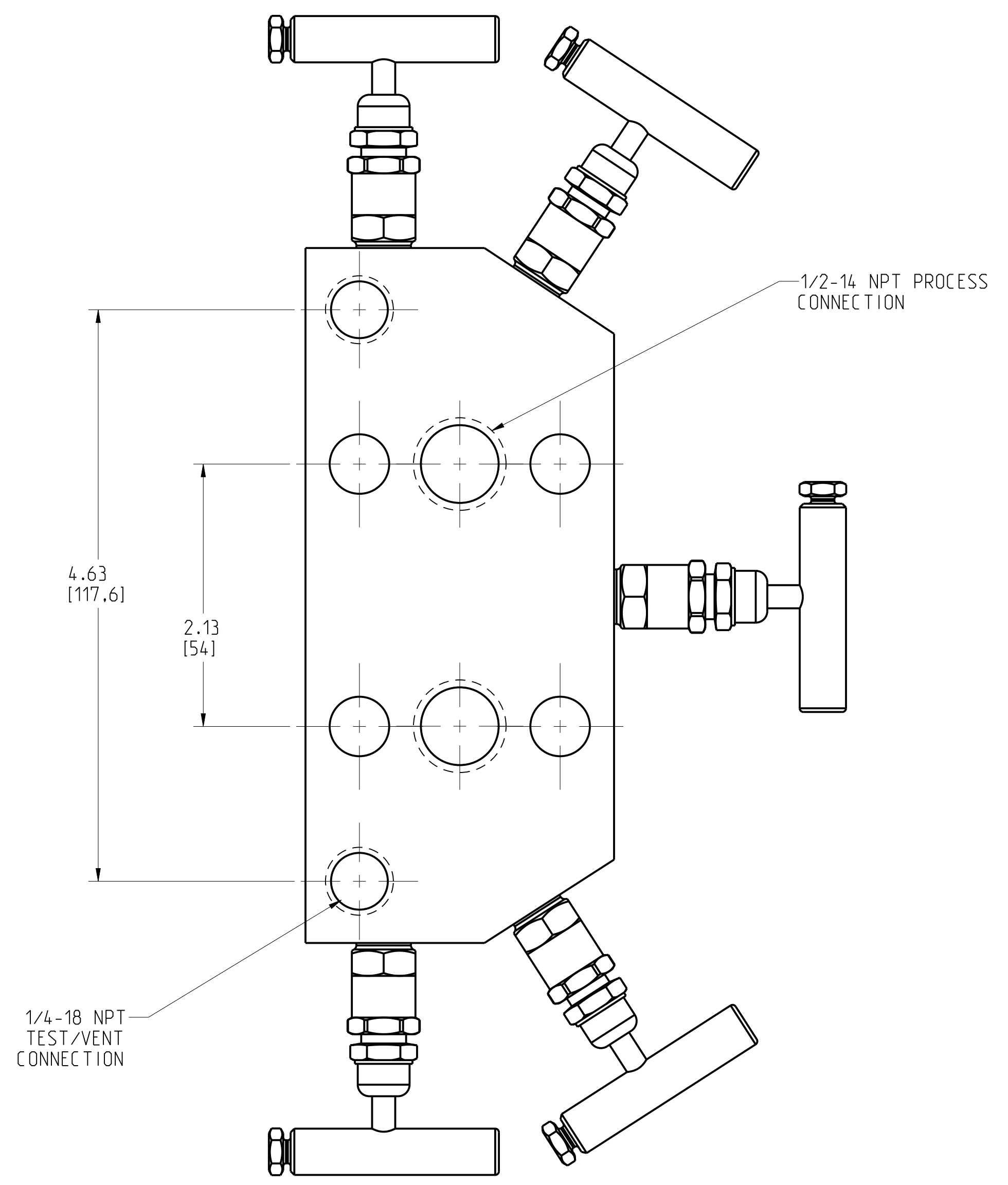
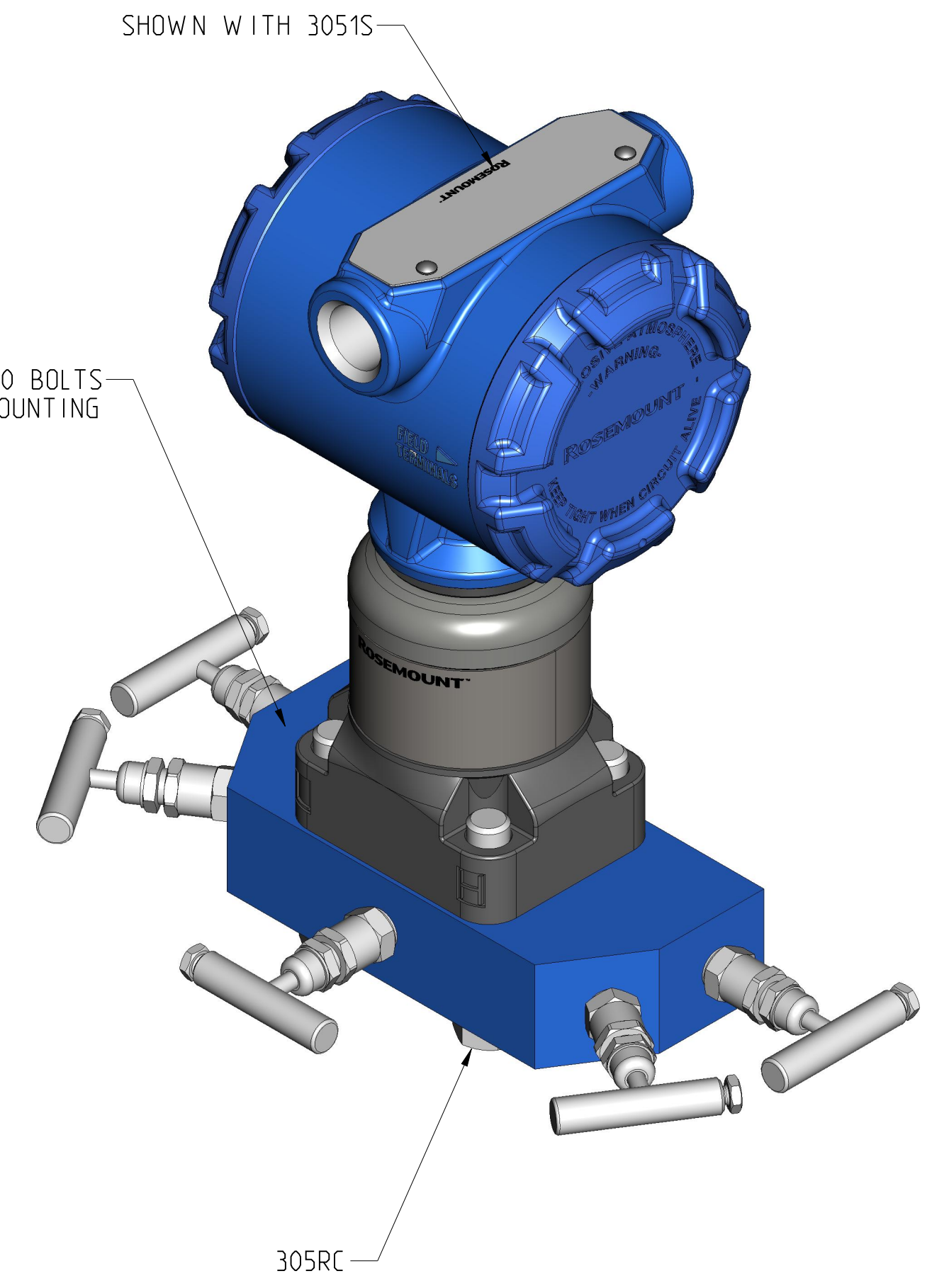
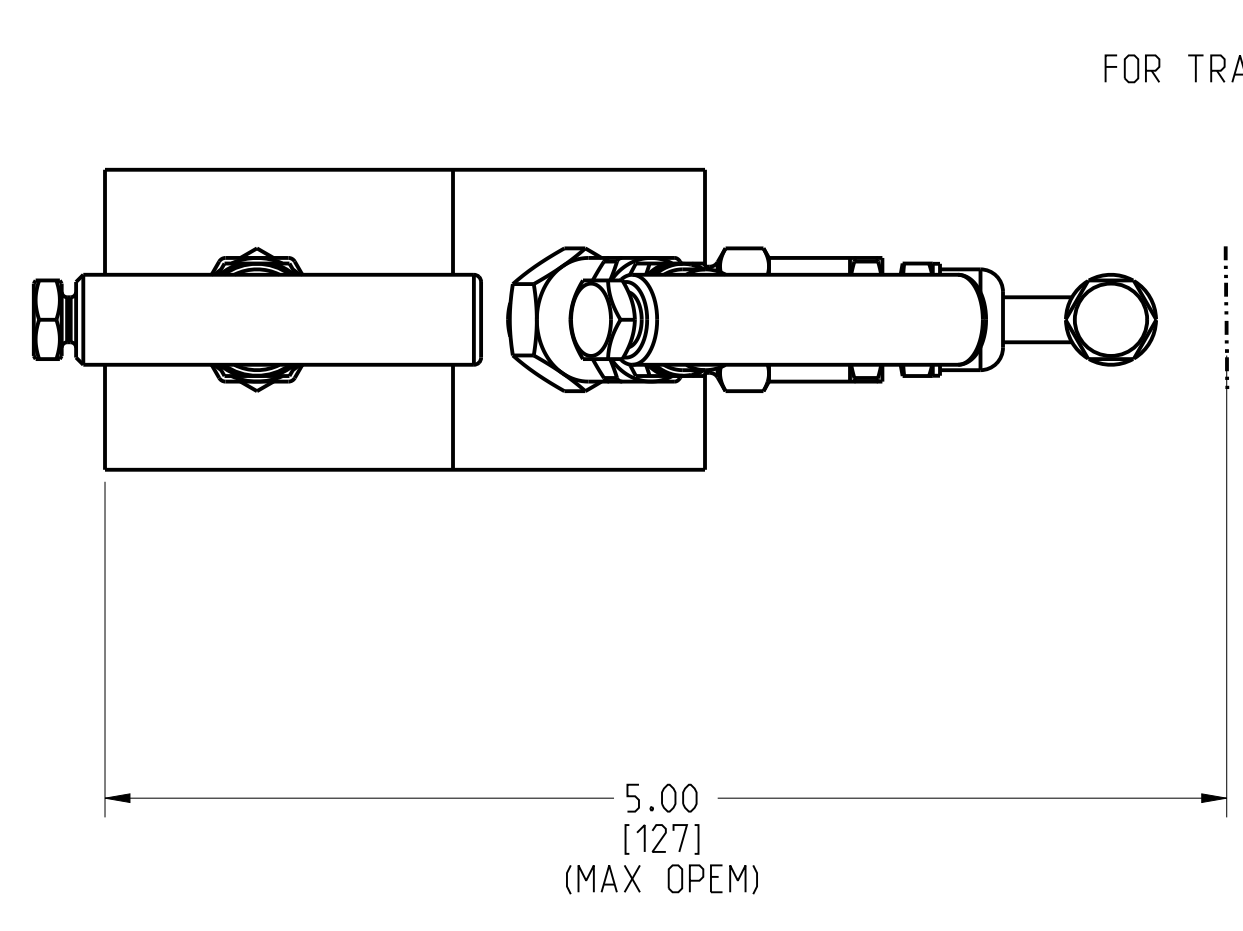
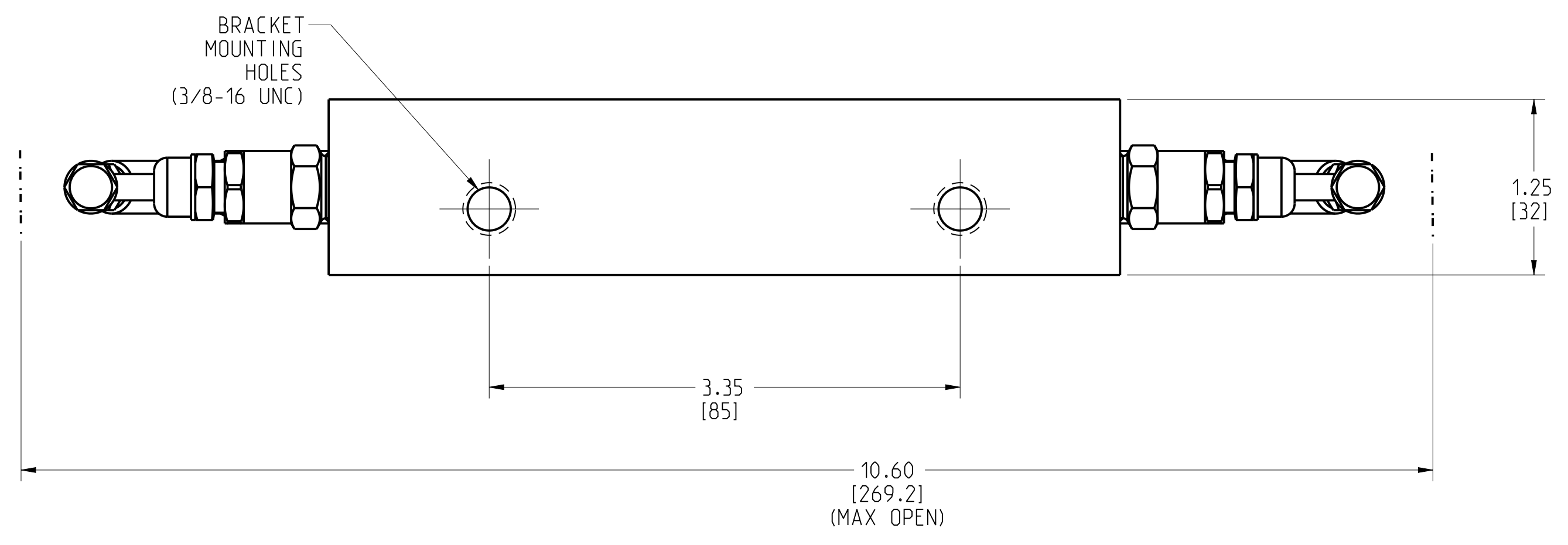
TITLE ROSEMOUNT 305RC MANIFOLD TYPE I DRAWING

DR.	JLA	2/5/13	DRAWING NO.	00305-3010
APP'D	FL	2/6/13		

SIZE D SCALE NTS

SHEET 2 OF 9

MODEL 305RC5 FIVE VALVE COPLANAR STYLE MANIFOLD  
 MODEL 305RC9 FIVE VALVE (ASME B31.1/B31.3)



©2015 ROSEMOUNT, INC. ALL RIGHTS RESERVED. ROSEMOUNT AND LOGO ARE TRADEMARKS OF ROSEMOUNT, INC. IN THE U.S. AND OTHER COUNTRIES. THIS DRAWING IS UNLESS OTHERWISE SPECIFIED IN ACCORDANCE WITH ROSEMOUNT ENGINEERING SPECIFICATIONS. UNIT NOTES IN INCHES (mm).

REFERENCE ROSEMOUNT PRODUCT SPECIFICATIONS FOR PRODUCT SPECIFICATIONS. CLICK HERE

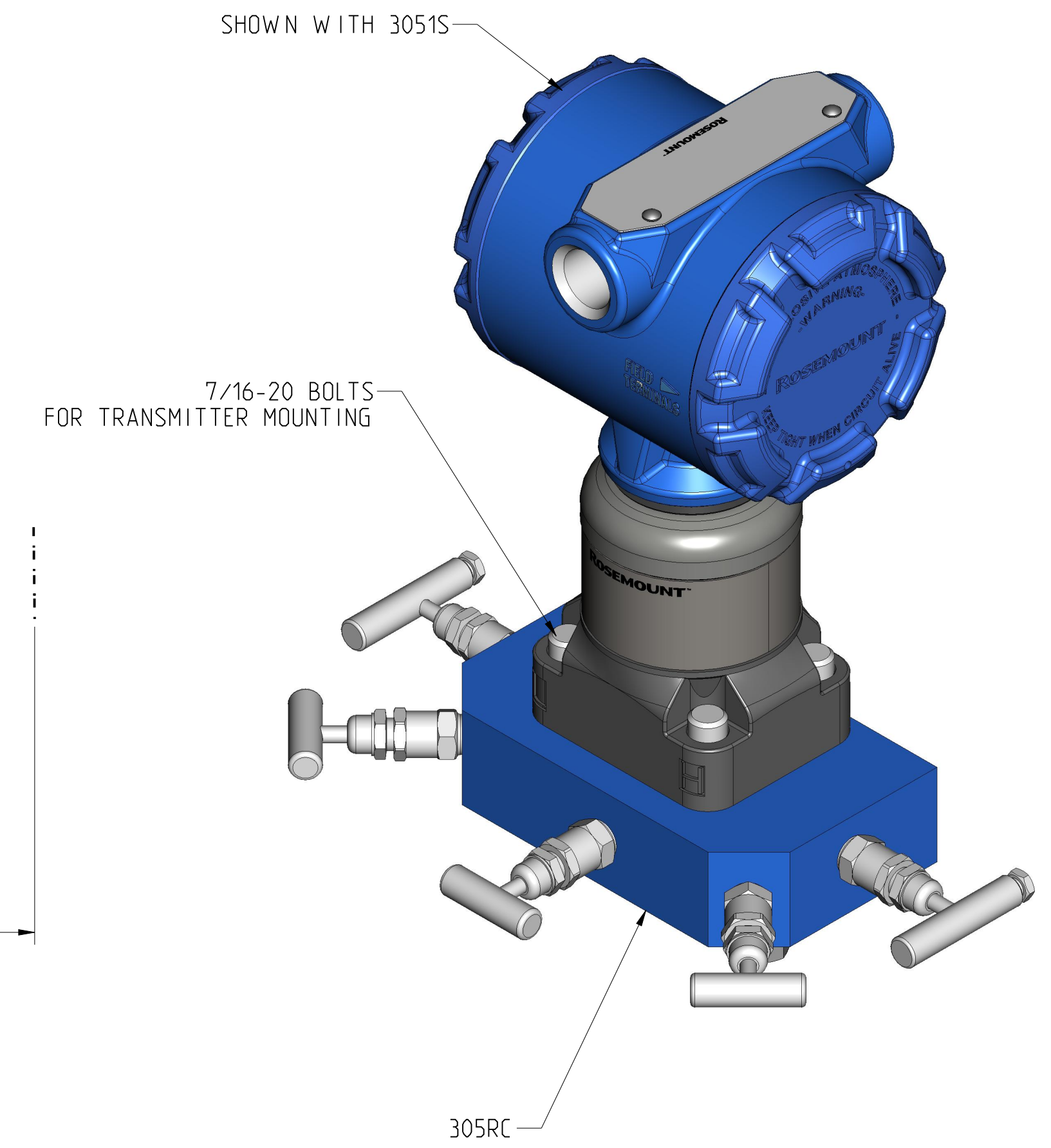
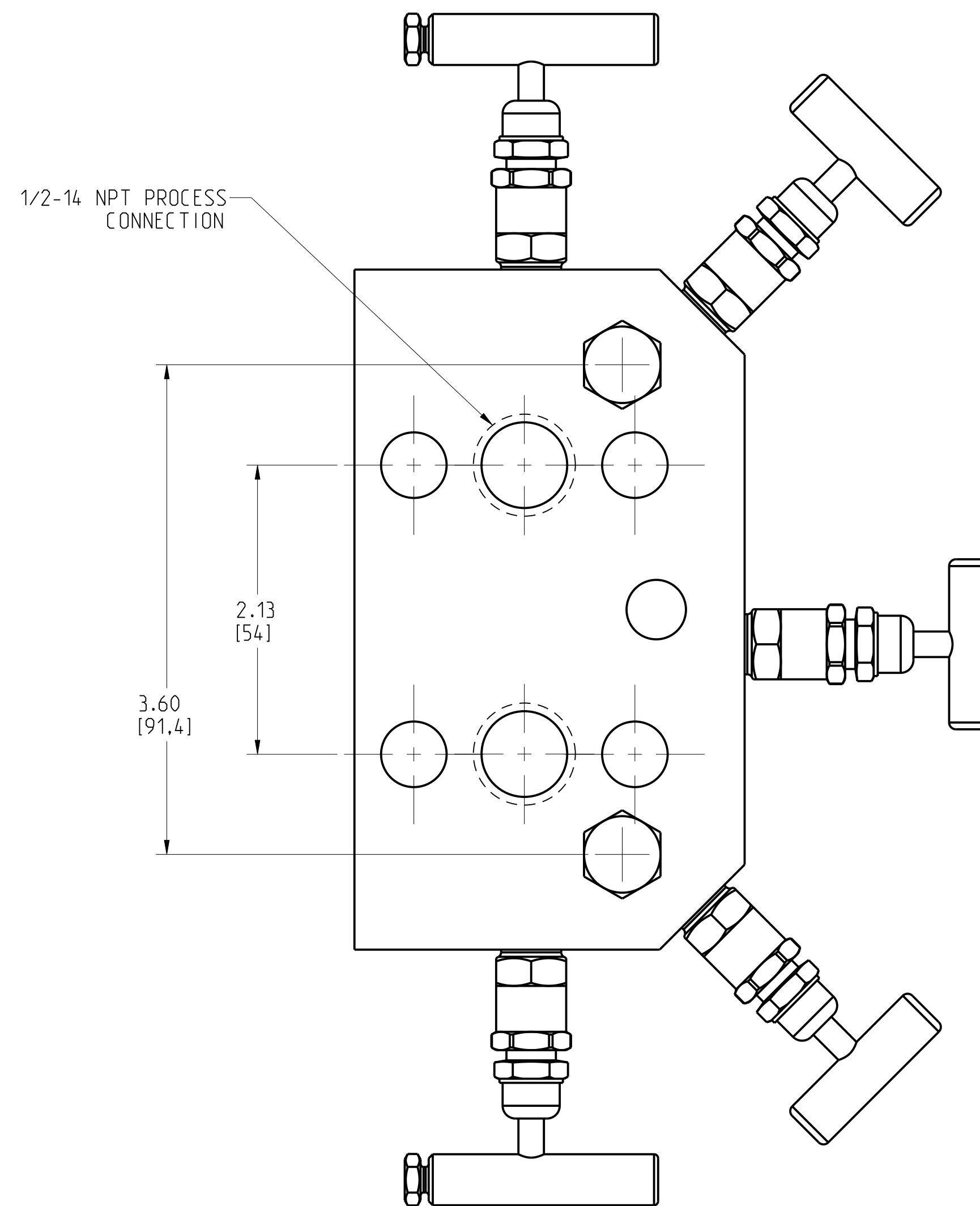
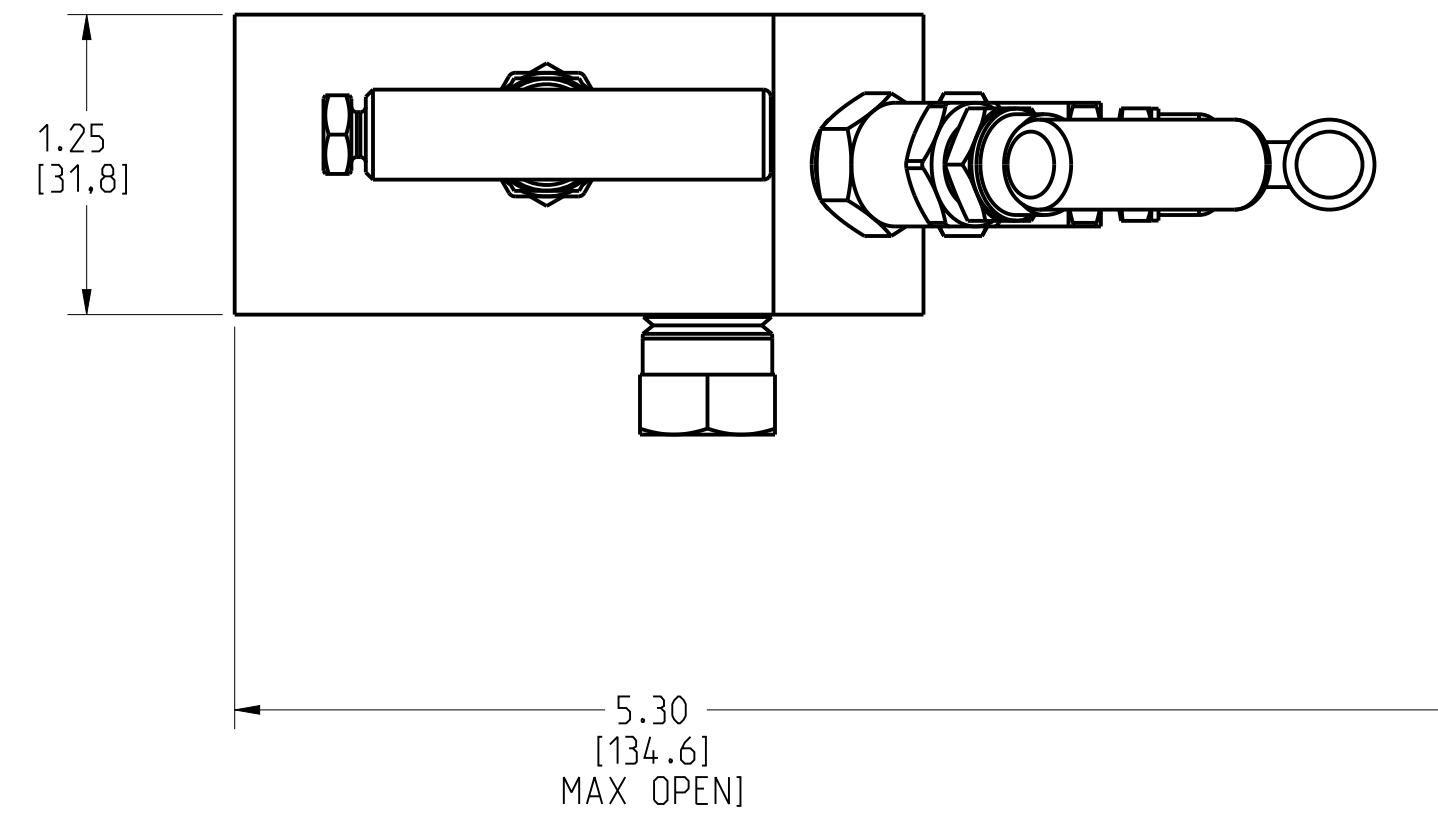
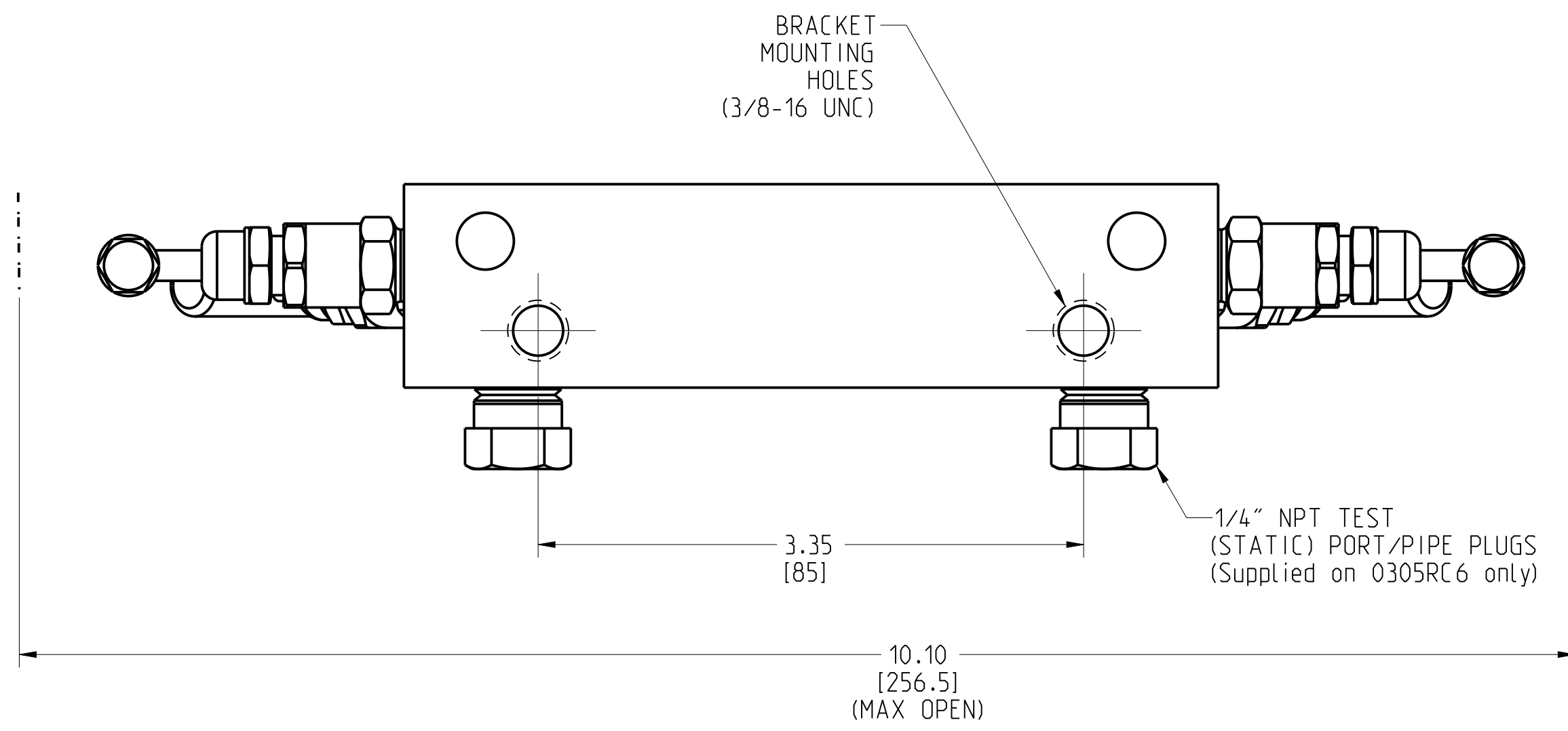
EMERSON

TITLE ROSEMOUNT 305RC MANIFOLD TYPE I DRAWING

DR.	JLA	2/5/13	DRAWING NO.	00305-3010
APP'D	FL	2/6/13		

CAD MAINTAINED: (PRO/E) SHEET 3 OF 9

MODEL 305RC6 FIVE VALVE (NATURAL GAS/METERING PATTERN)



©2015 ROSEMOUNT, INC. ALL RIGHTS RESERVED. THIS DRAWING IS THE PROPERTY OF ROSEMOUNT, INC. AND IS TO BE USED IN ACCORDANCE WITH THE ROSEMOUNT ENGINEERING SPECIFICATIONS. UNIT NOTES IN INCHES (mm).

REFERENCE ROSEMOUNT PRODUCT SPECIFICATIONS. CLICK HERE

3RD ANGLE

EMERSON

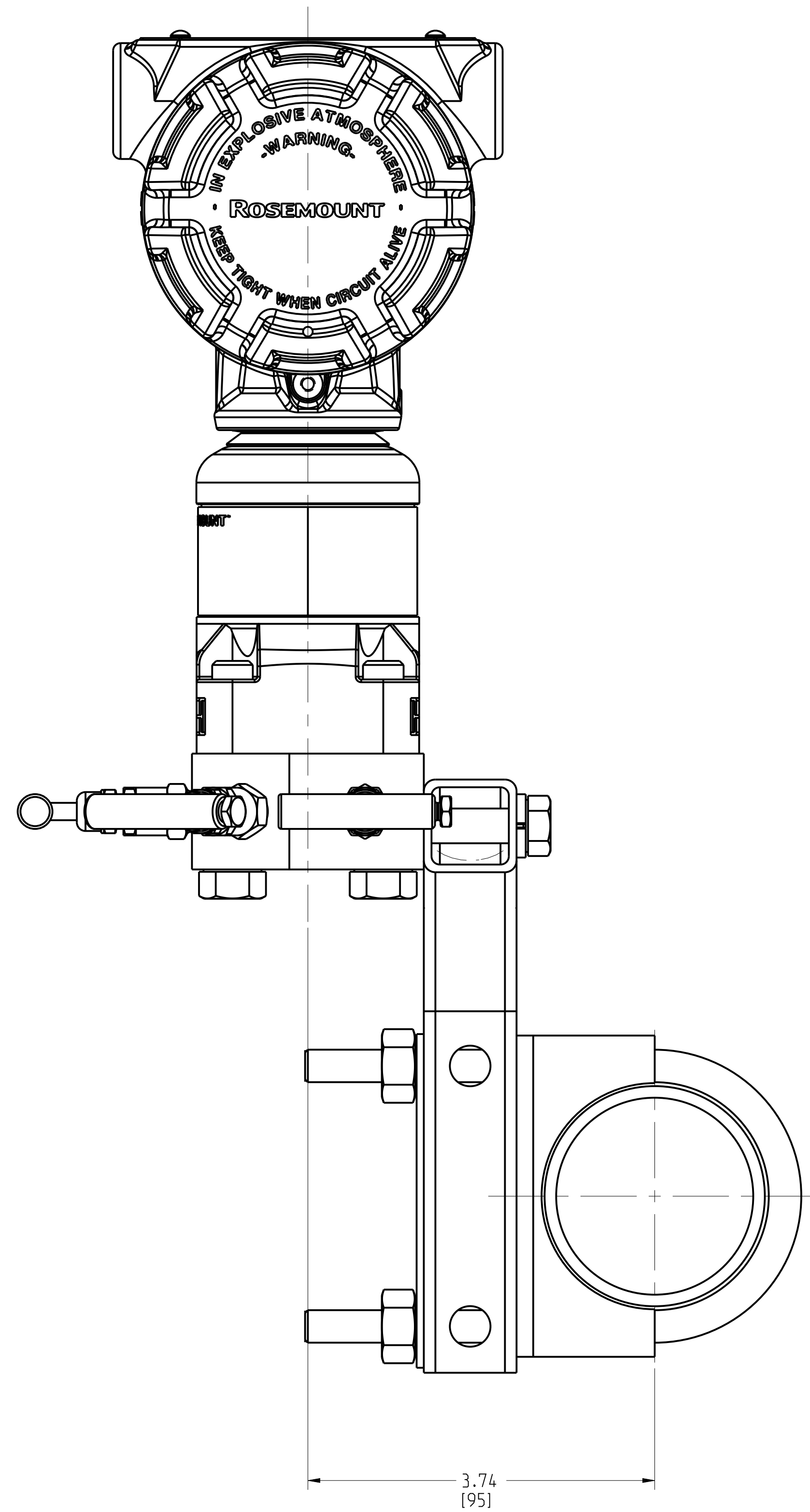
TITLE ROSEMOUNT 305RC MANIFOLD TYPE I DRAWING

DR.	JLA	2/5/13	DRAWING NO.	00305-3010
APP'D	FL	2/6/13		

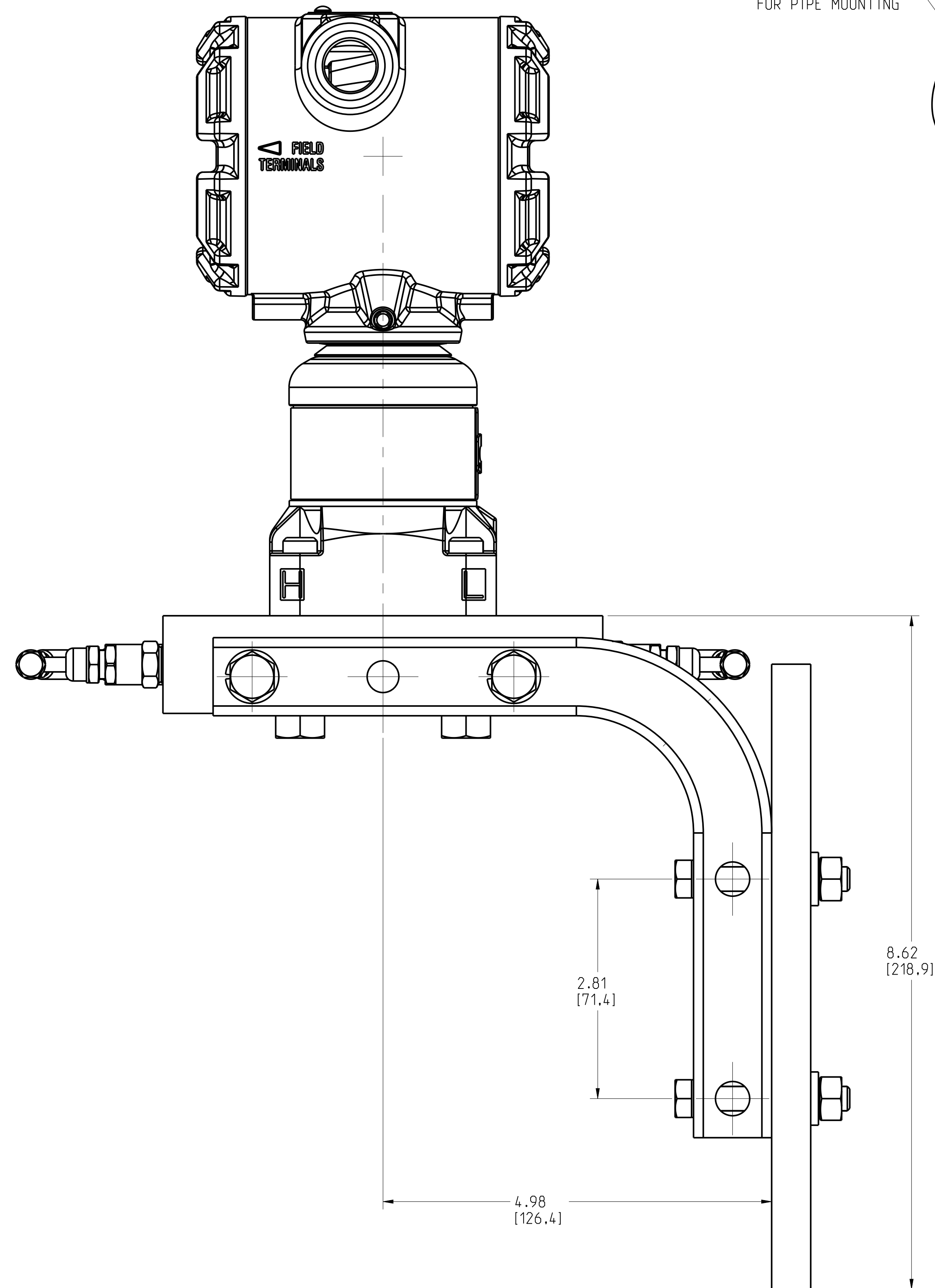
CAD MAINTAINED: (PRO/EI) SHEET 4 OF 9

**MODEL 305R MANIFOLD  
MOUNTING CONFIGURATIONS WITH OPTIONAL MOUNTING BRACKET**

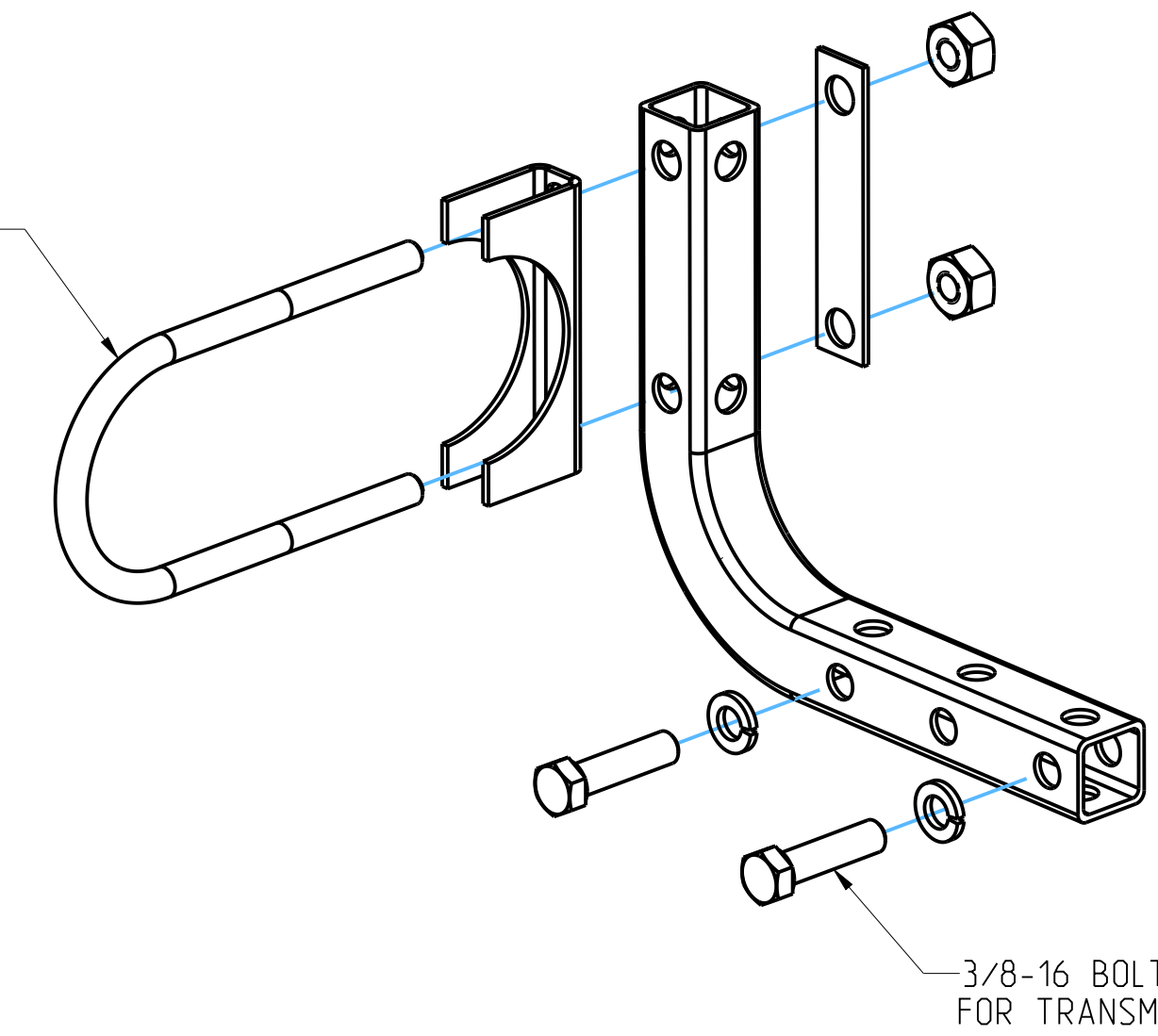
PIPE MOUNTING



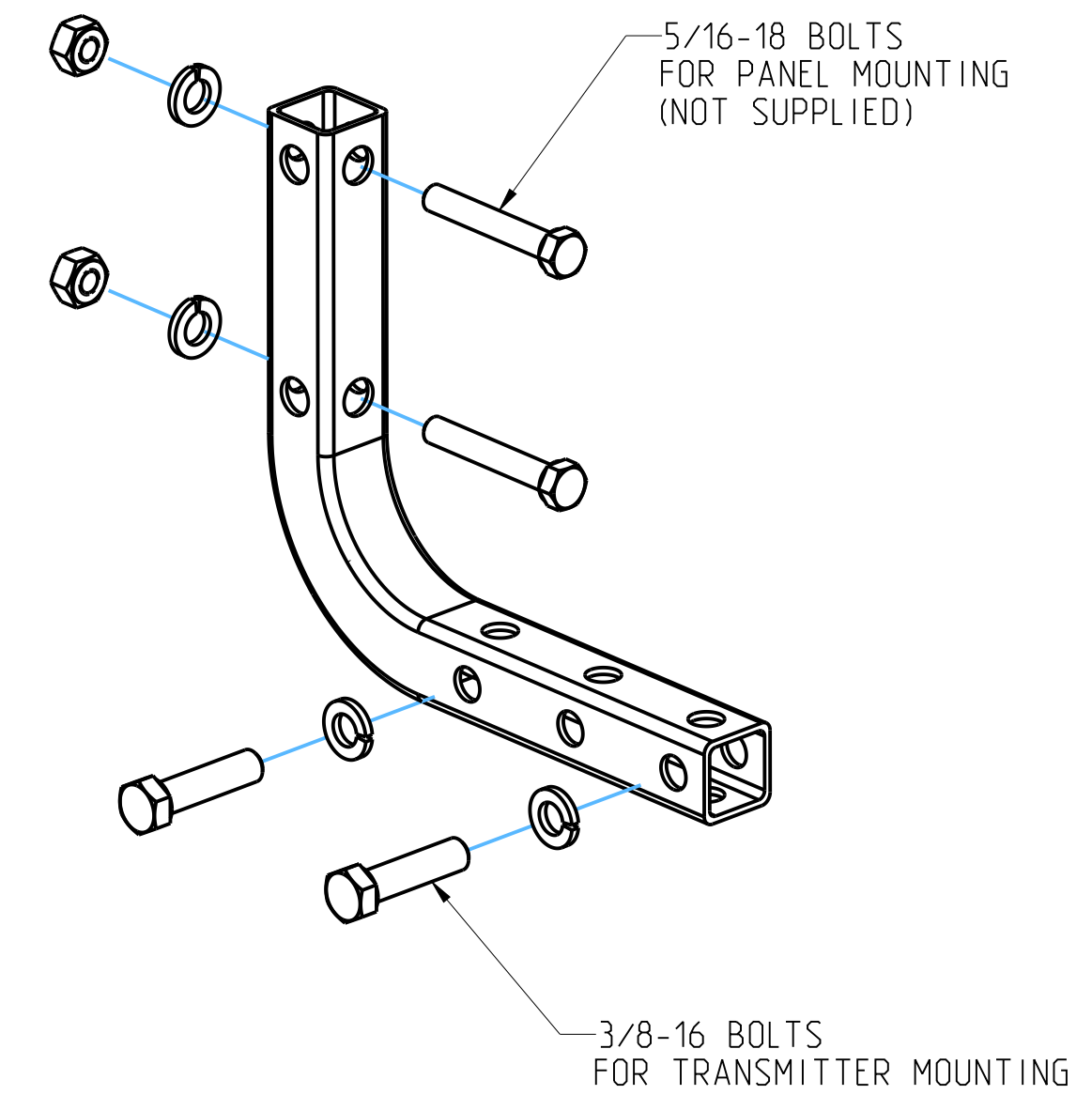
PANEL MOUNTING



2 INCH U-BOLT  
FOR PIPE MOUNTING



3/8-16 BOLTS  
FOR TRANSMITTER MOUNTING



5/16-18 BOLTS  
FOR PANEL MOUNTING  
(NOT SUPPLIED)

3/8-16 BOLTS  
FOR TRANSMITTER MOUNTING

©2015 ROSEMOUNT, INC. ALL RIGHTS RESERVED. THIS DRAWING IS THE PROPERTY OF ROSEMOUNT, INC. AND IS TO BE USED ONLY FOR THE PROJECT AND SPECIFICATIONS FOR WHICH IT WAS PREPARED. ANY REUSE OR MODIFICATION OF THIS DRAWING WITHOUT THE WRITTEN PERMISSION OF ROSEMOUNT, INC. IS STRICTLY PROHIBITED. UNLESS OTHERWISE SPECIFIED, DIMENSIONS ARE IN INCHES (MILLIMETERS).

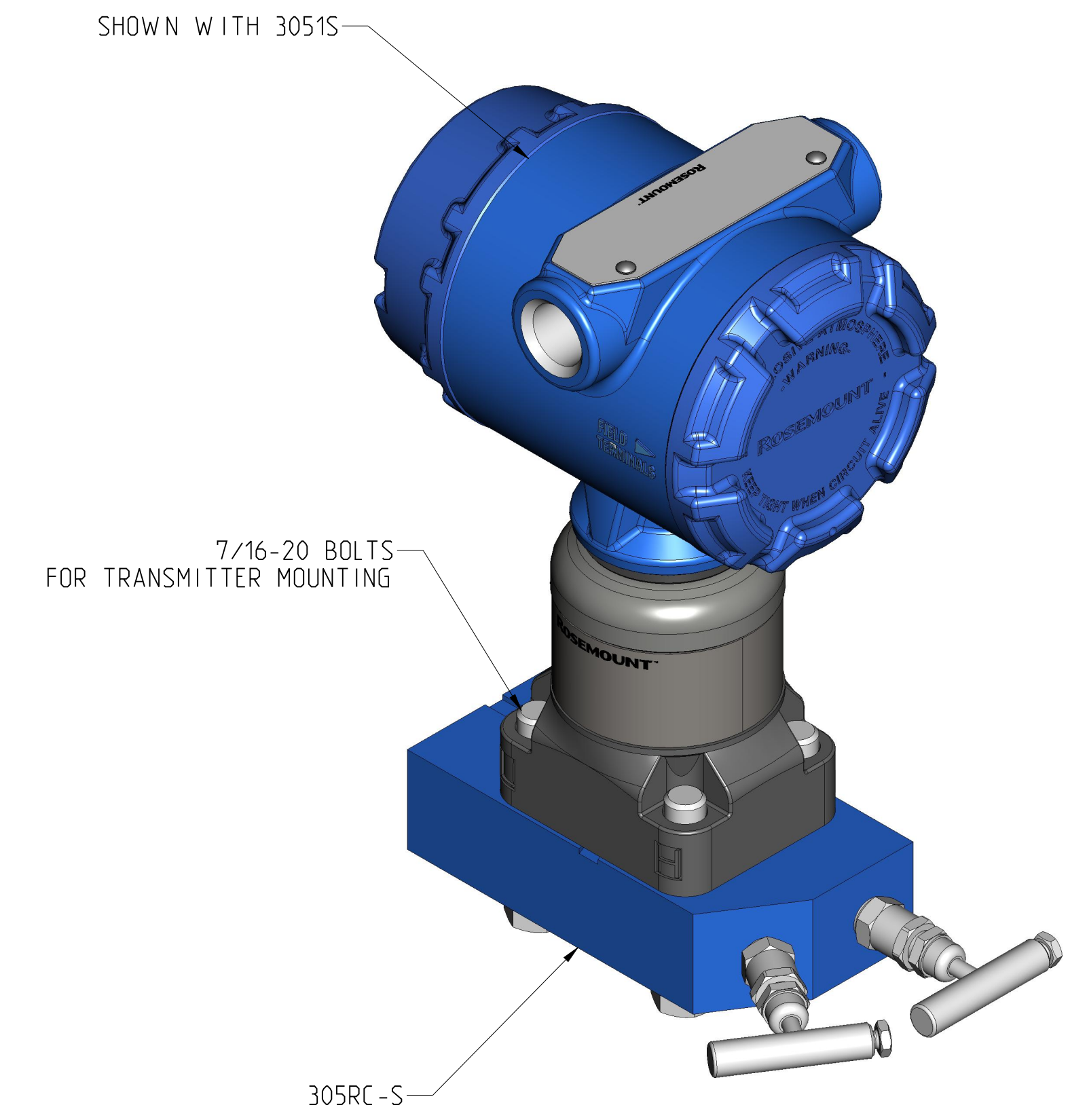
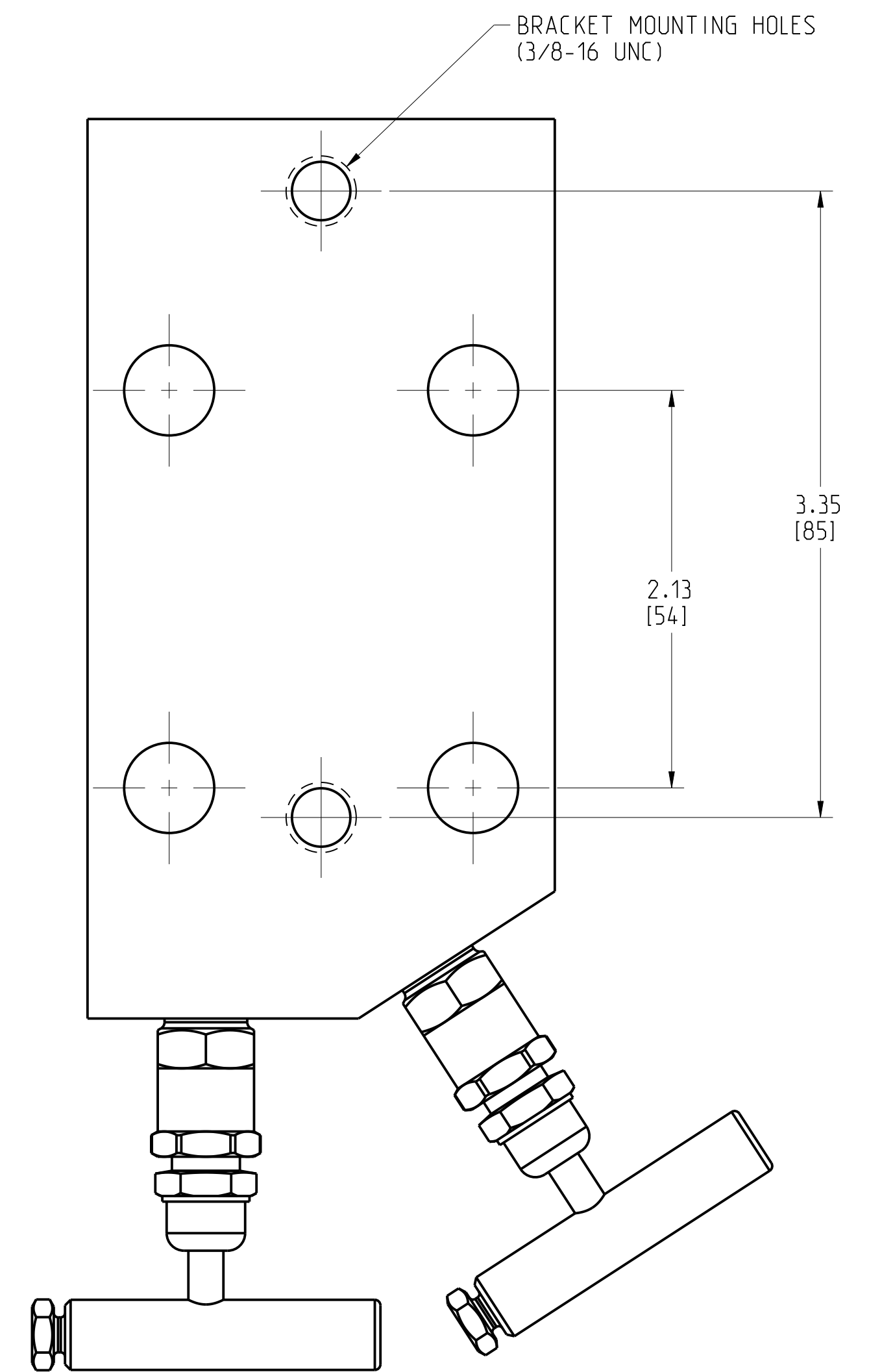
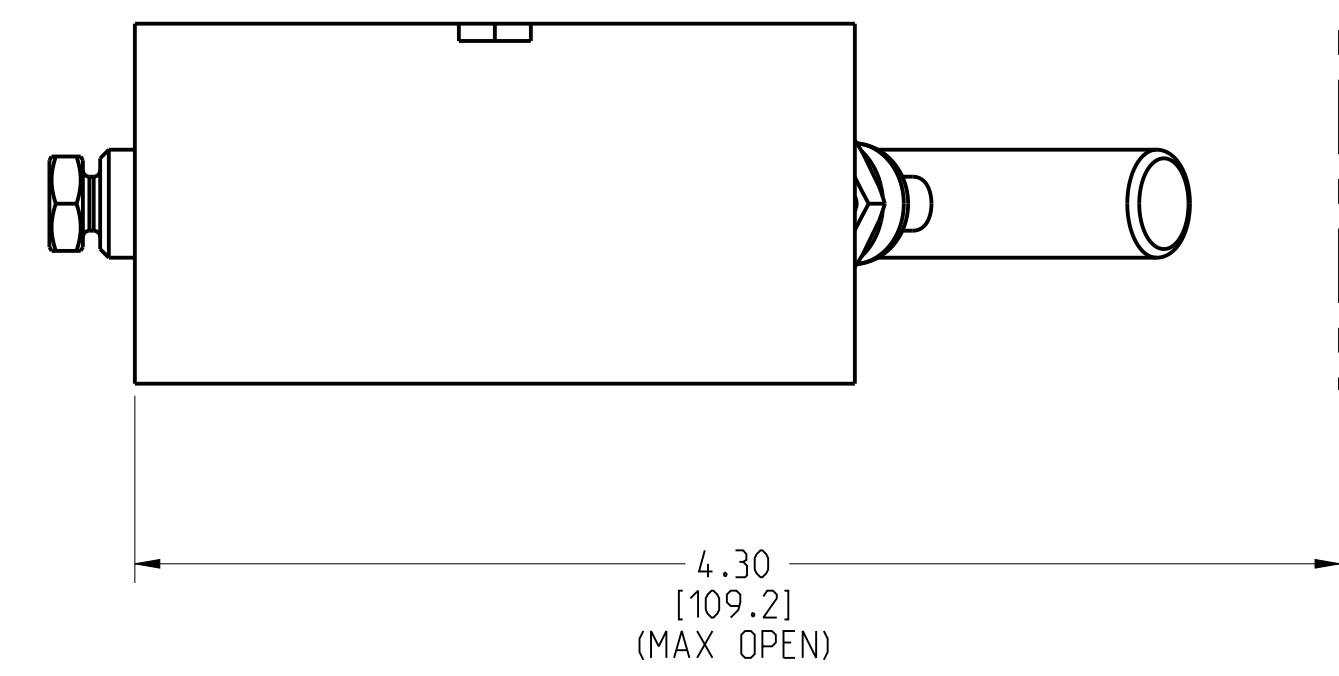
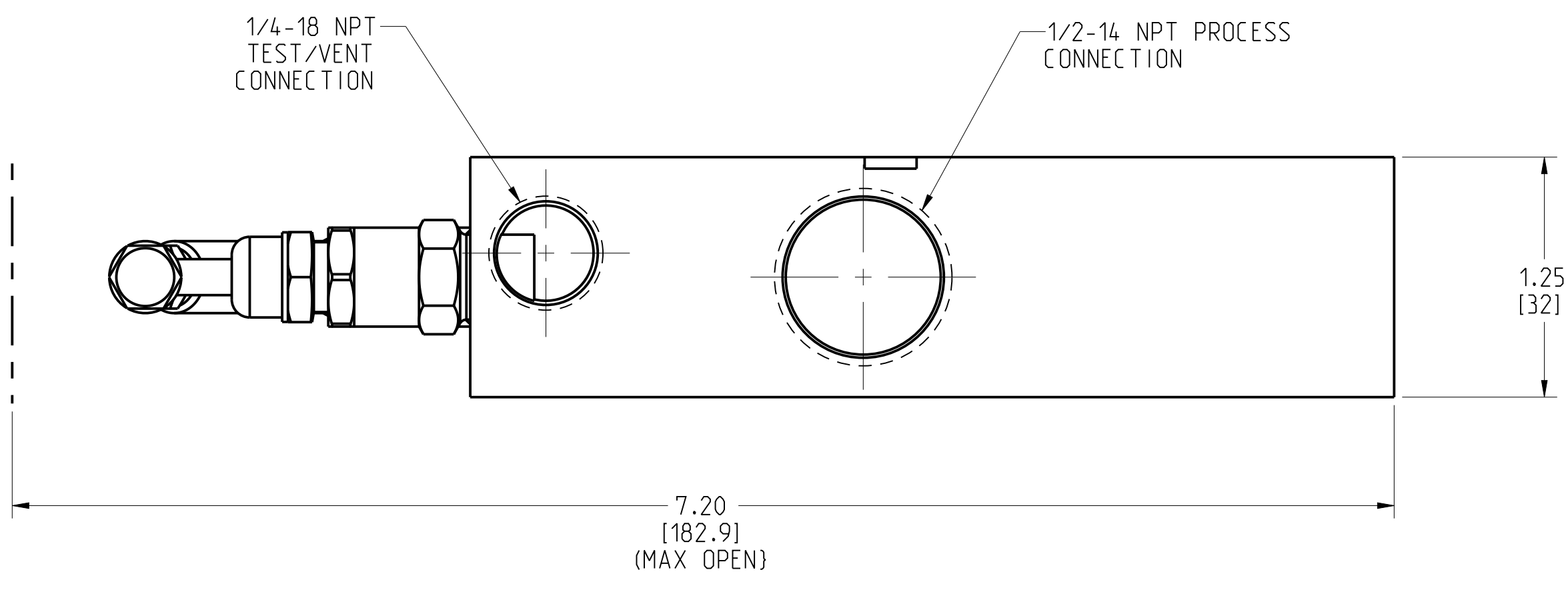
EMERSON

TITLE ROSEMOUNT 305RC MANIFOLD  
TYPE I DRAWING

DR.	JLA	2/5/13	DRAWING NO.	00305-3010
APP'D	FL	2/6/13		

CAD MAINTAINED: (PRO/E) SHEET 5 OF 9

MODEL 305RC2-S TWO VALVE COPLANAR STYLE SIDE ENTRY MANIFOLD



©2015 ROSEMOUNT, INC. ALL RIGHTS RESERVED. THIS DRAWING IS THE PROPERTY OF ROSEMOUNT, INC. AND IS TO BE USED IN ACCORDANCE WITH ROSEMOUNT ENGINEERING SPECIFICATIONS. UNIT NOTES IN INCHES (mm).

REFERENCE ROSEMOUNT PRODUCT SPECIFICATIONS. CLICK HERE

3RD ANGLE

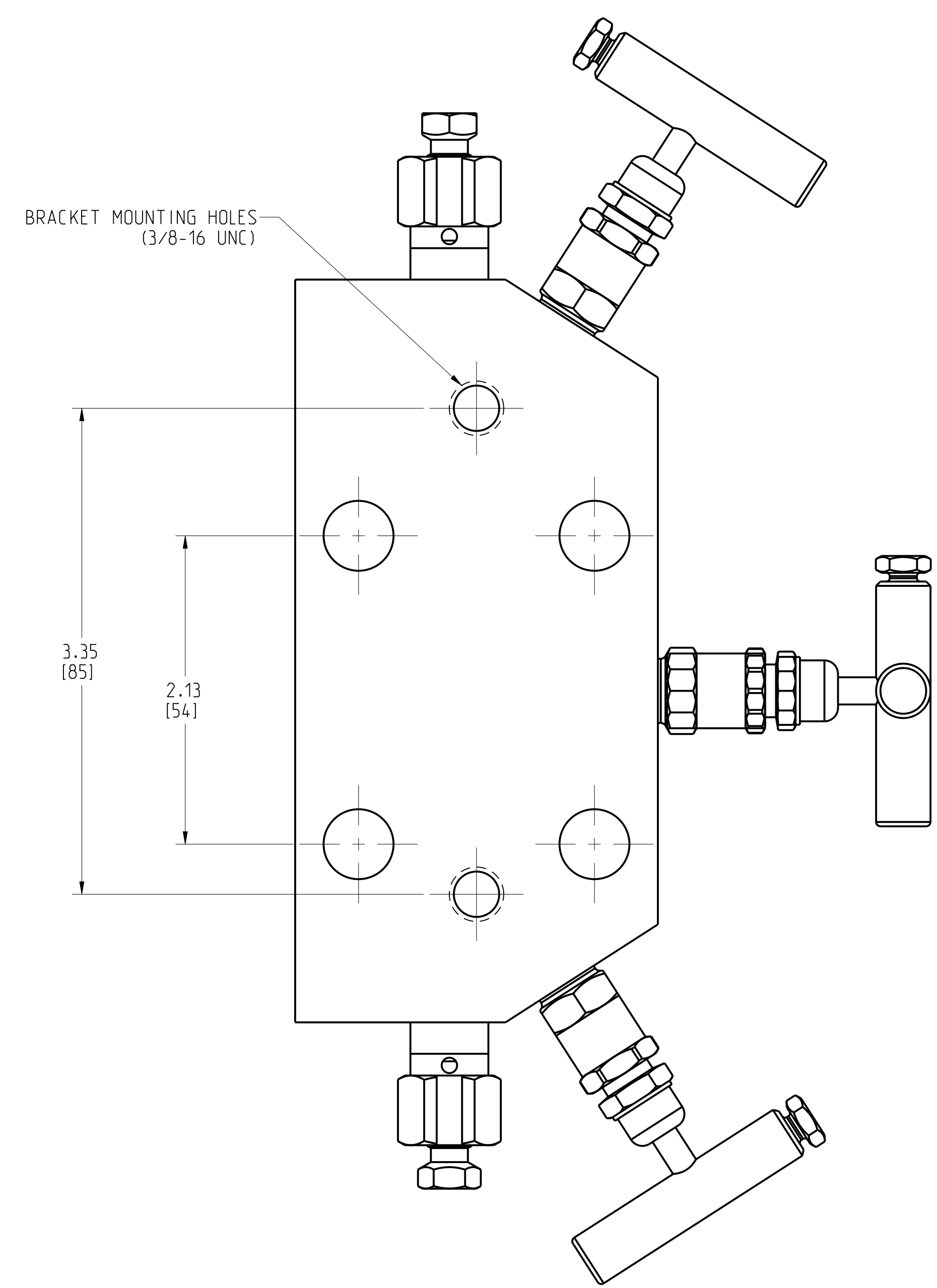
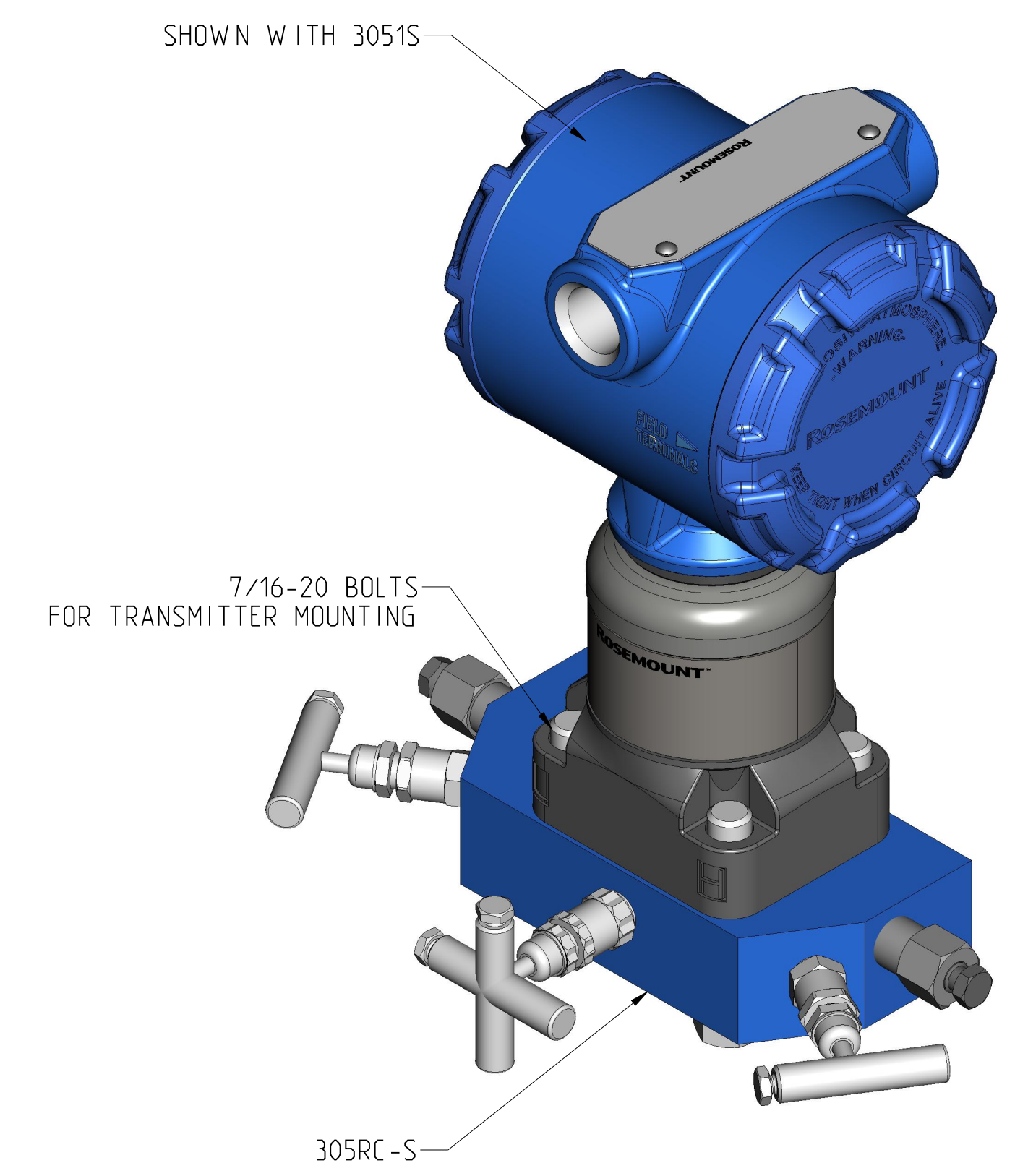
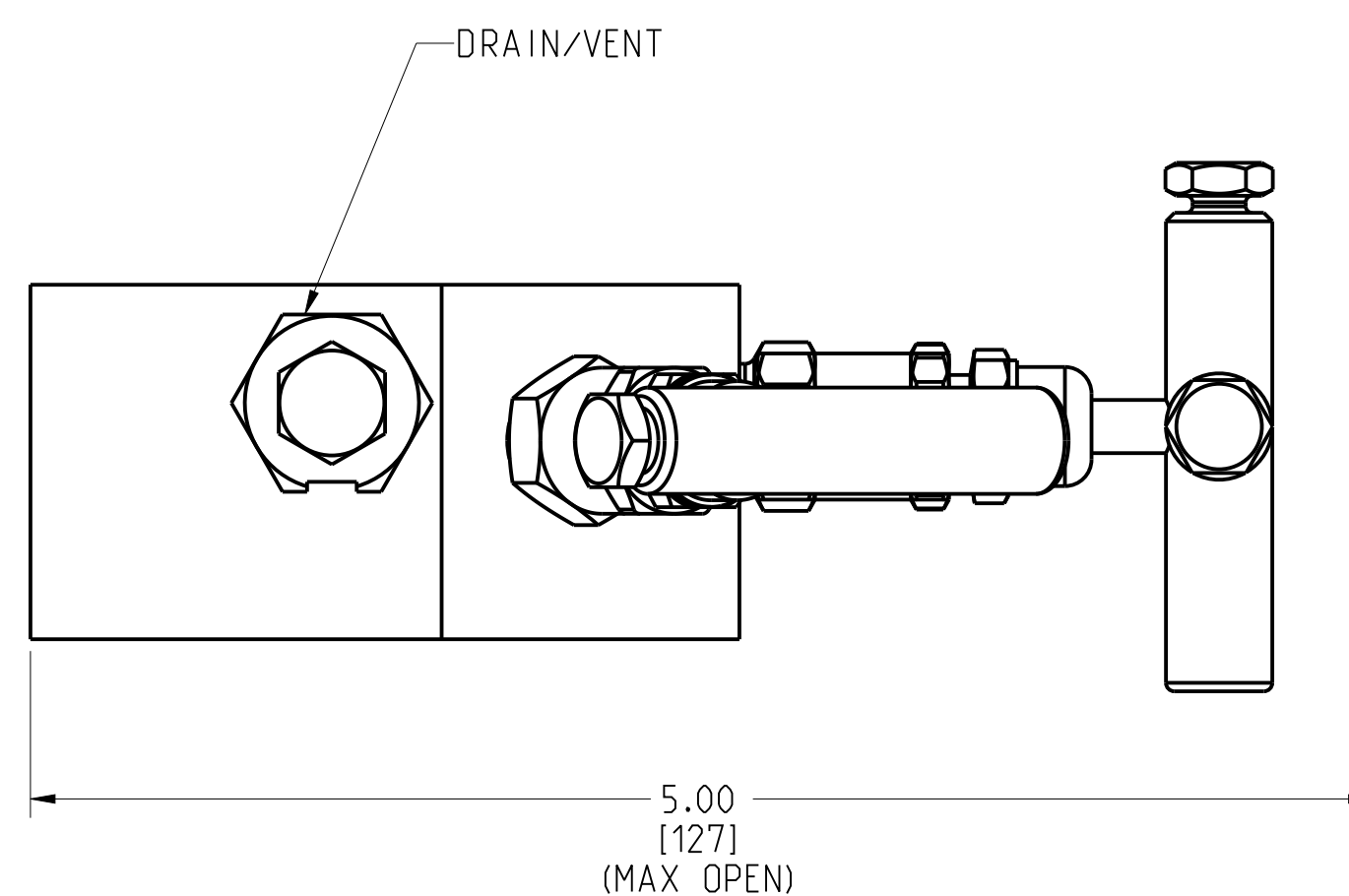
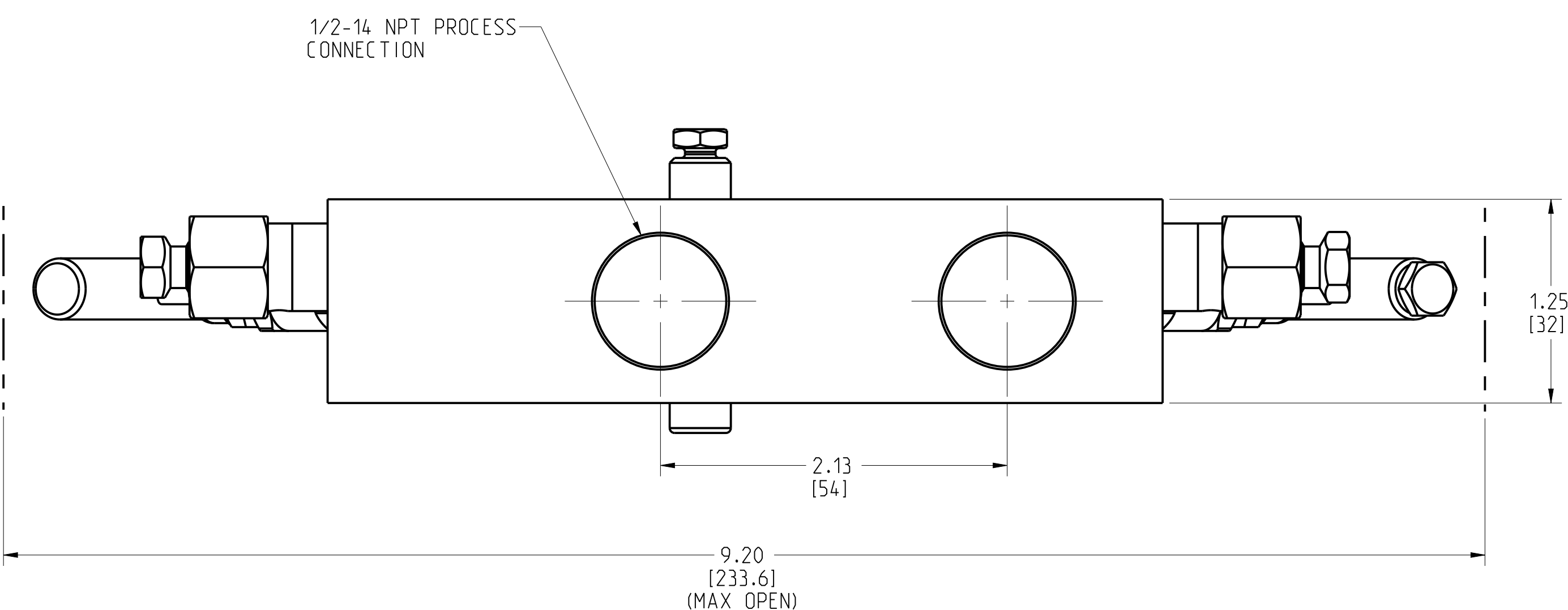
EMERSON

TITLE ROSEMOUNT 305RC MANIFOLD TYPE I DRAWING

DR.	JLA	2/5/13	DRAWING NO.	00305-3010
APP'D	FL	2/6/13		

CAD MAINTAINED (PRO/E) SHEET 6 OF 9

# MODEL 305RC3-S THREE VALVE COPLANAR STYLE SIDE ENTRY MANIFOLD



©2015 ROSEMOUNT, INC. ALL RIGHTS RESERVED. THIS DRAWING IS THE PROPERTY OF ROSEMOUNT ENGINEERING SPECIFICATIONS. UNIT NOTES IN INCHES (mm).

REFERENCE ROSEMOUNT PRODUCT SPECIFICATIONS FOR PRODUCT SPECIFICATIONS. CLICK HERE

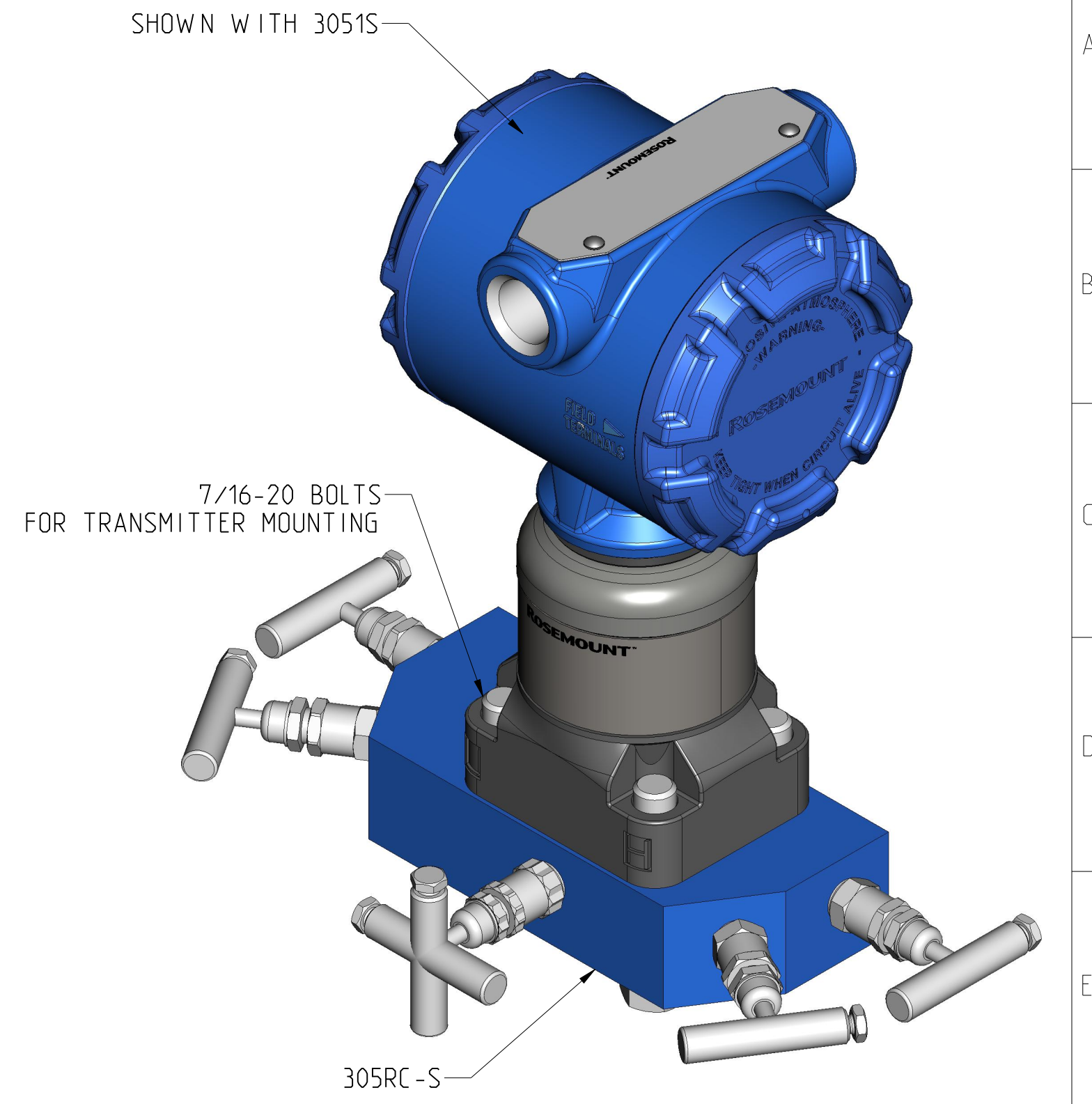
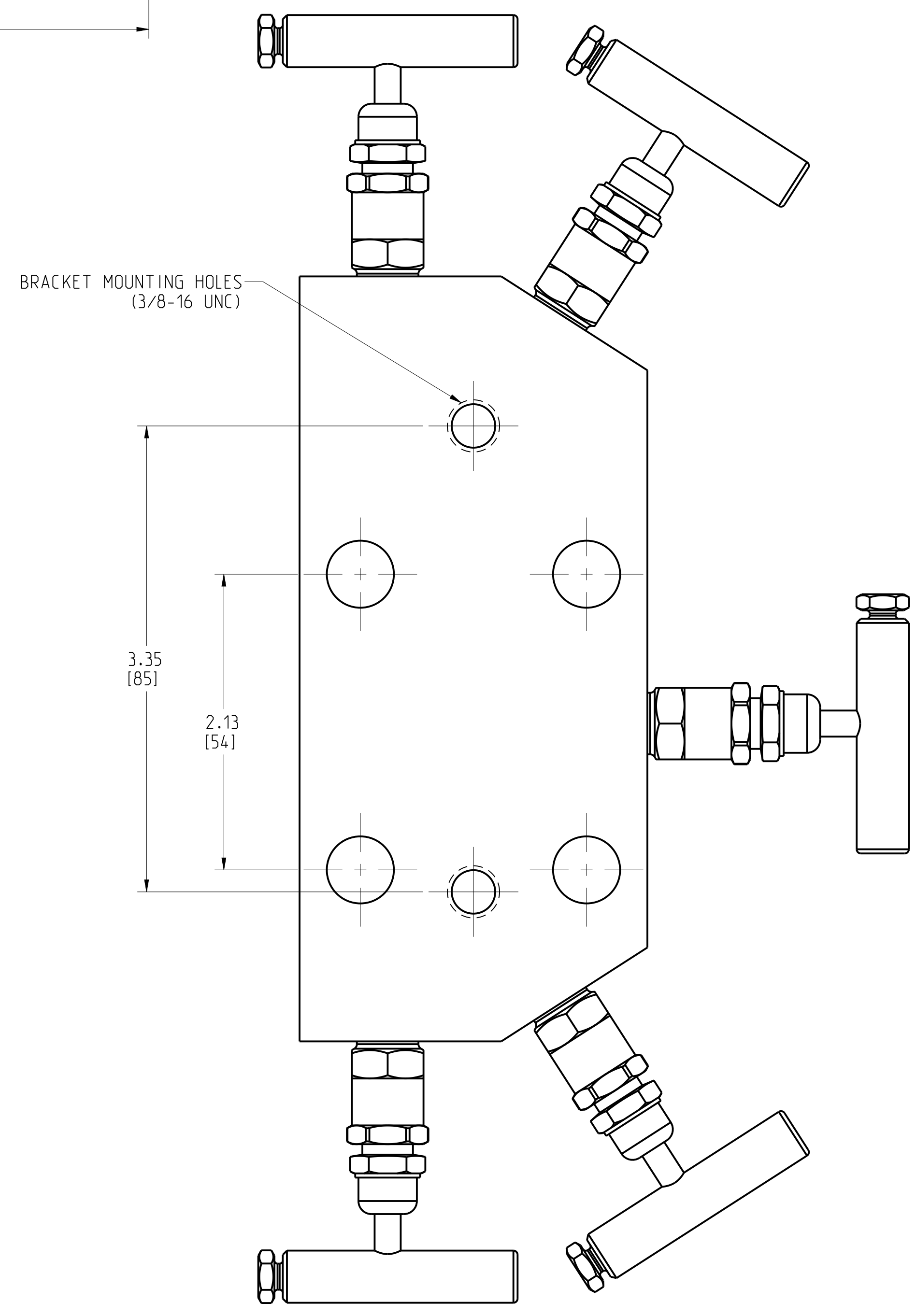
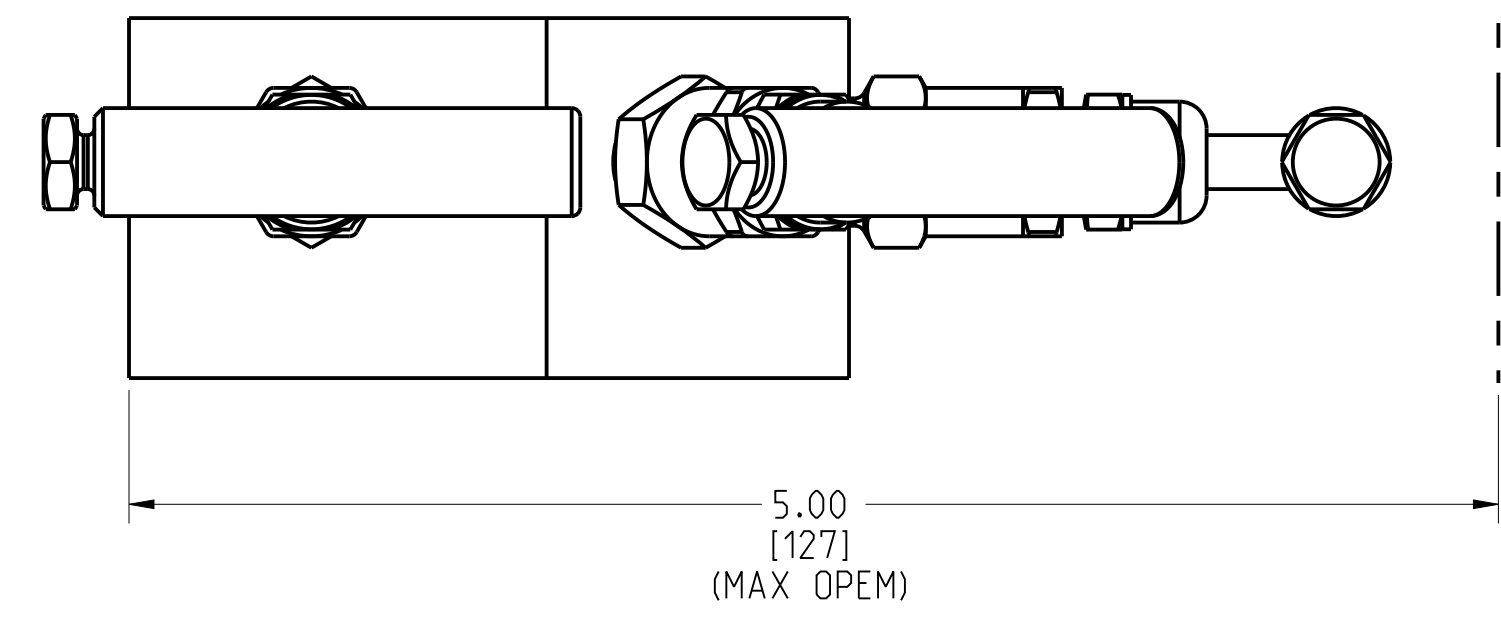
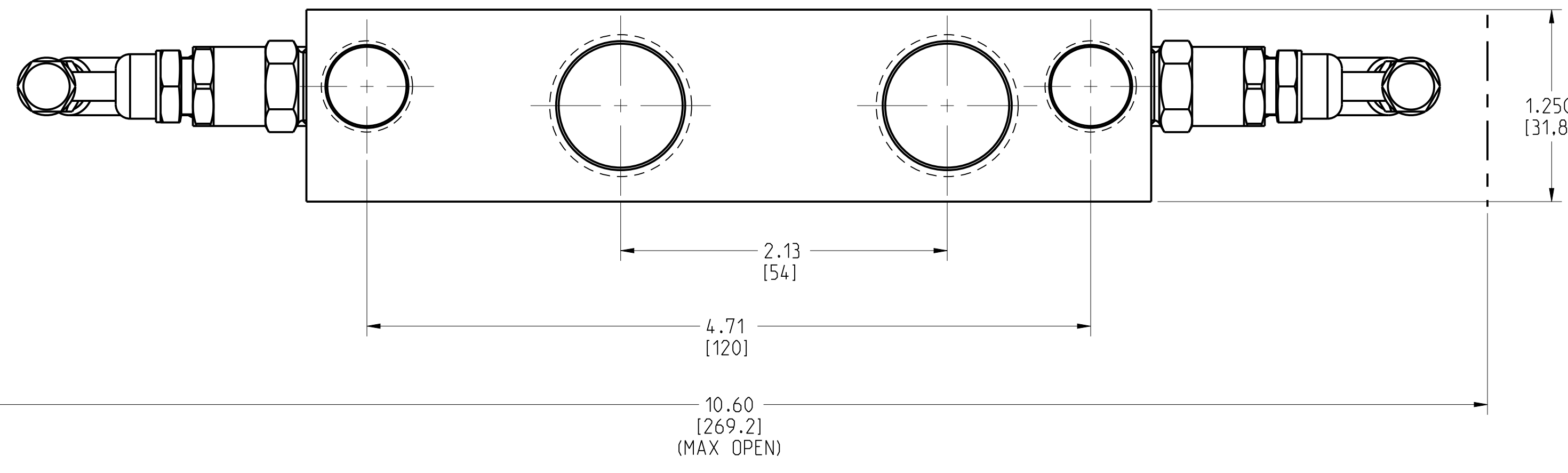
EMERSON

TITLE ROSEMOUNT 305RC MANIFOLD TYPE I DRAWING

DR.	JLA	2/5/13	DRAWING NO.	00305-3010
APP'D	FL	2/6/13		

CAD MAINTAINED: (PRO/EI) SHEET 7 OF 9

MODEL 305RC5-S FIVE VALVE COPLANAR STYLE SIDE ENTRY MANIFOLD



©2015 ROSEMOUNT, INC. ALL RIGHTS RESERVED. THIS DRAWING IS THE PROPERTY OF ROSEMOUNT, INC. AND IS TO BE USED IN ACCORDANCE WITH THE ROSEMOUNT ENGINEERING SPECIFICATIONS. UNIT NOTES IN INCHES (mm).

REFERENCE ROSEMOUNT PRODUCT SPECIFICATIONS FOR PRODUCT SPECIFICATIONS. CLICK HERE

CAD MAINTAINED: (PRO/E)

3RD ANGLE

EMERSON

TITLE ROSEMOUNT 305RC MANIFOLD TYPE I DRAWING

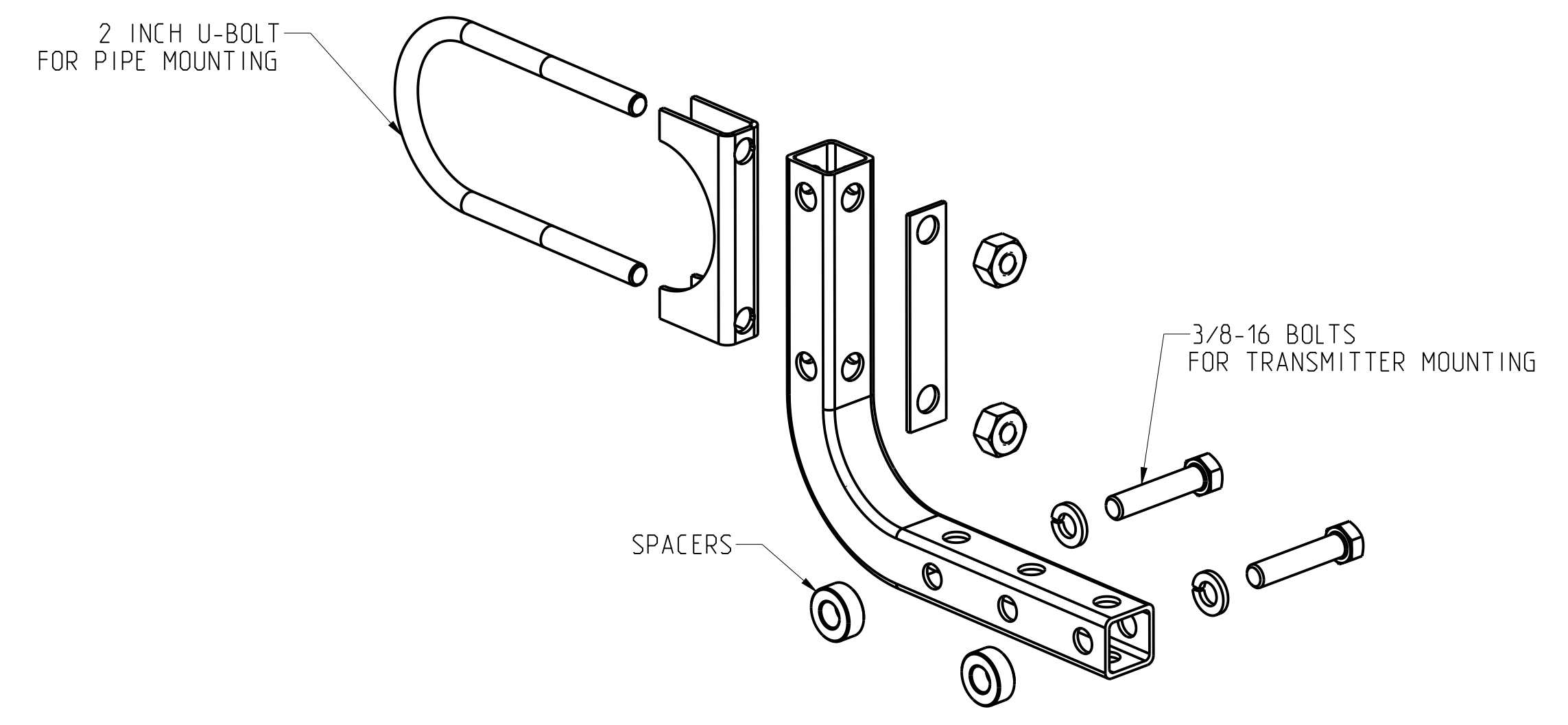
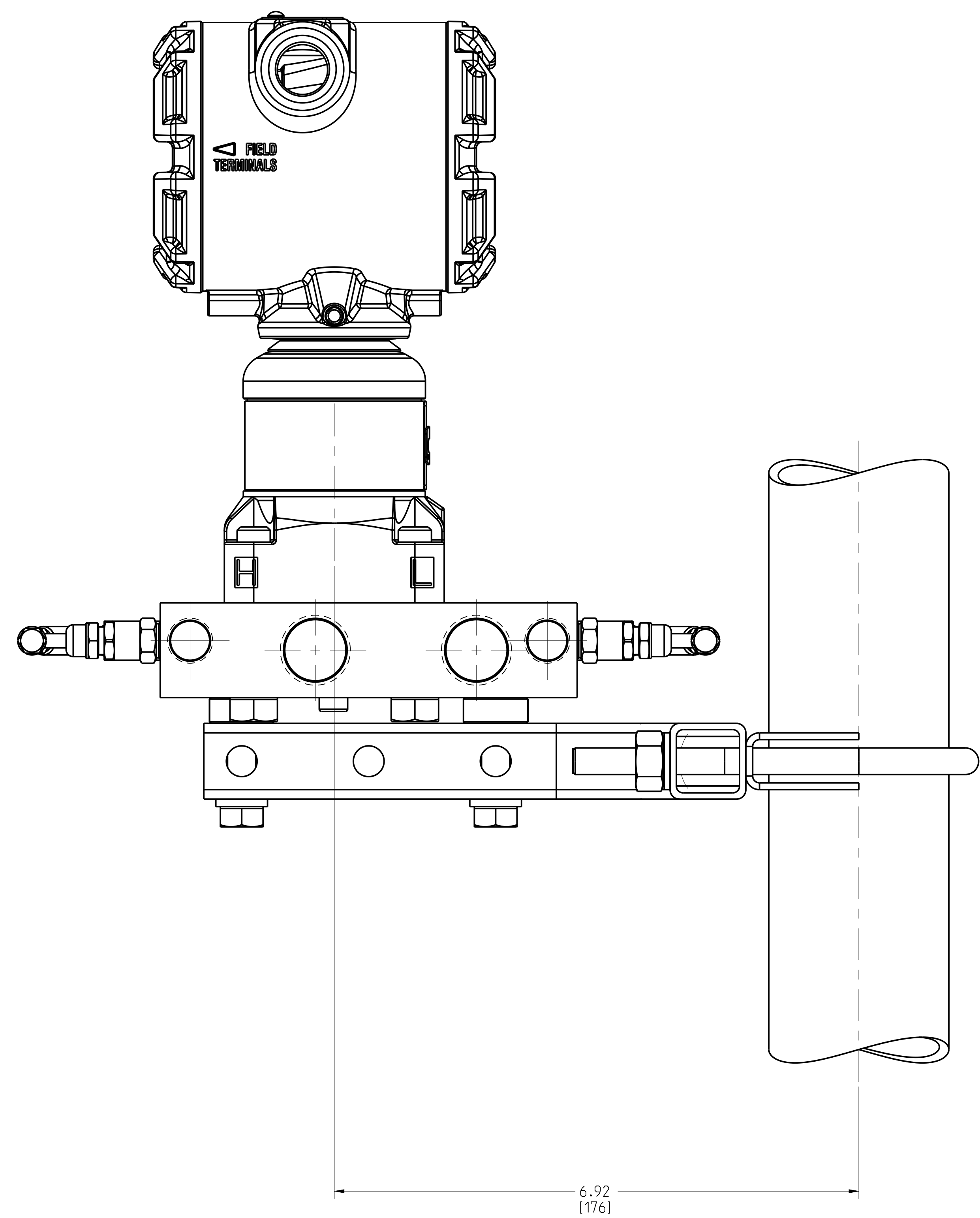
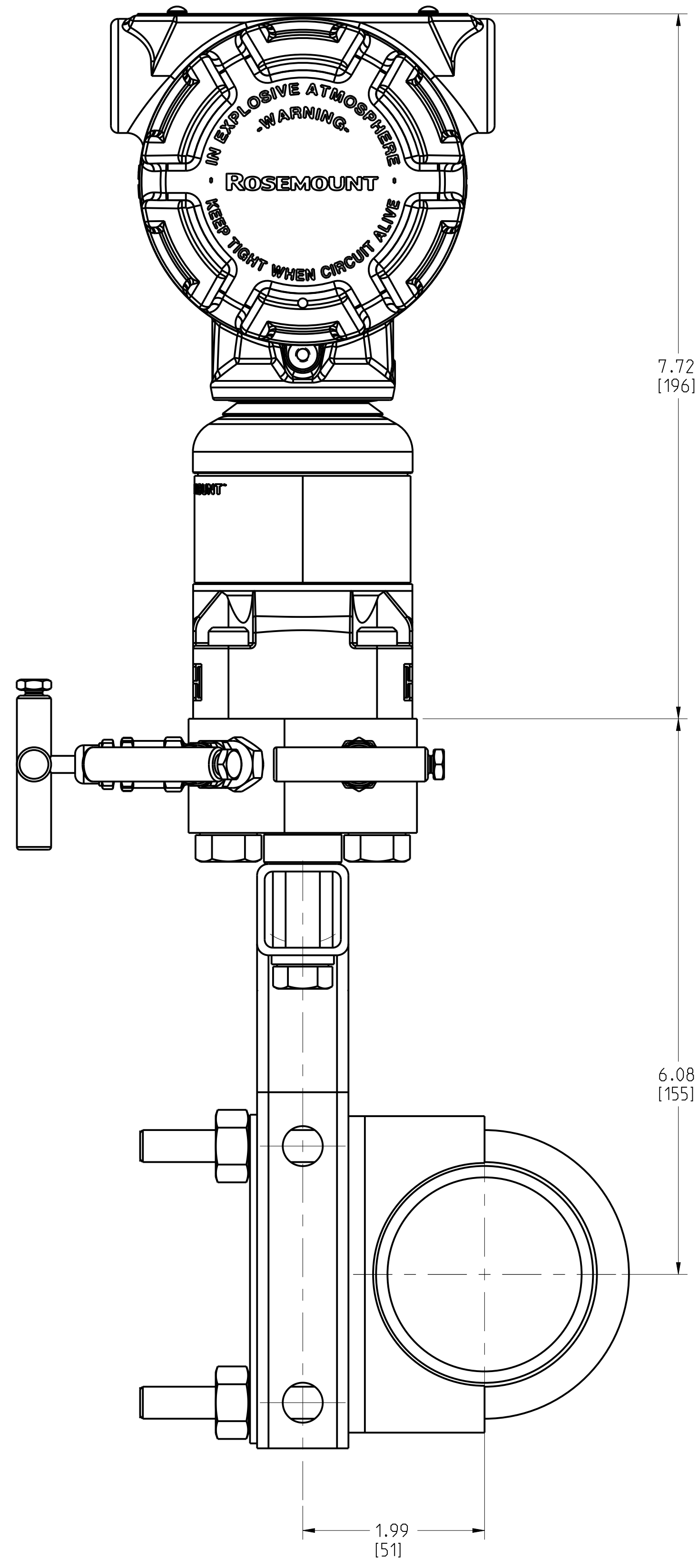
DR.	JLA	2/5/13	DRAWING NO.	00305-3010
APP'D	FL	2/6/13		

SIZE D SCALE NTS

SHEET 8 OF 9



MODEL 305RC5-S FIVE VALVE COPLANAR SIDE ENTRY MANIFOLD  
MOUNTING CONFIGURATIONS WITH B4/BE OPTIONAL MOUNTING BRACKET



©2015 ROSEMOUNT, INC. ALL RIGHTS RESERVED. THIS DRAWING IS THE PROPERTY OF ROSEMOUNT ENGINEERING SPECIFICATIONS. UNIT NOTES IN INCHES (mm).

REFERENCE ROSEMOUNT PRODUCT SPECIFICATIONS. CLICK HERE

3RD ANGLE

EMERSON

TITLE ROSEMOUNT 305RC MANIFOLD TYPE I DRAWING

DR.	JLA	2/5/13	DRAWING NO.	00305-3010
APP'D	FL	2/6/13		

CAD MAINTAINED: (PRO/EI) SHEET 9 OF 9