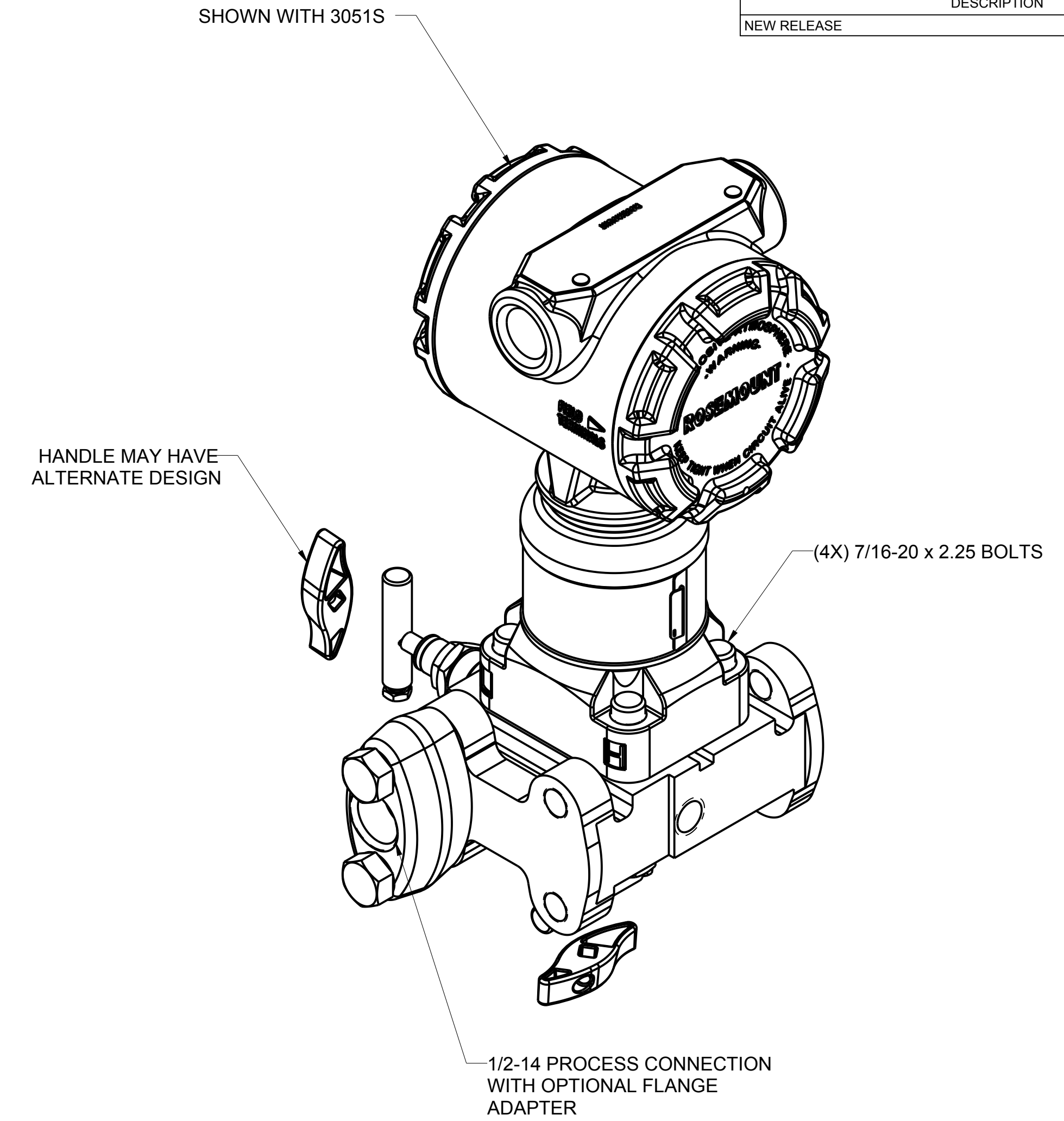
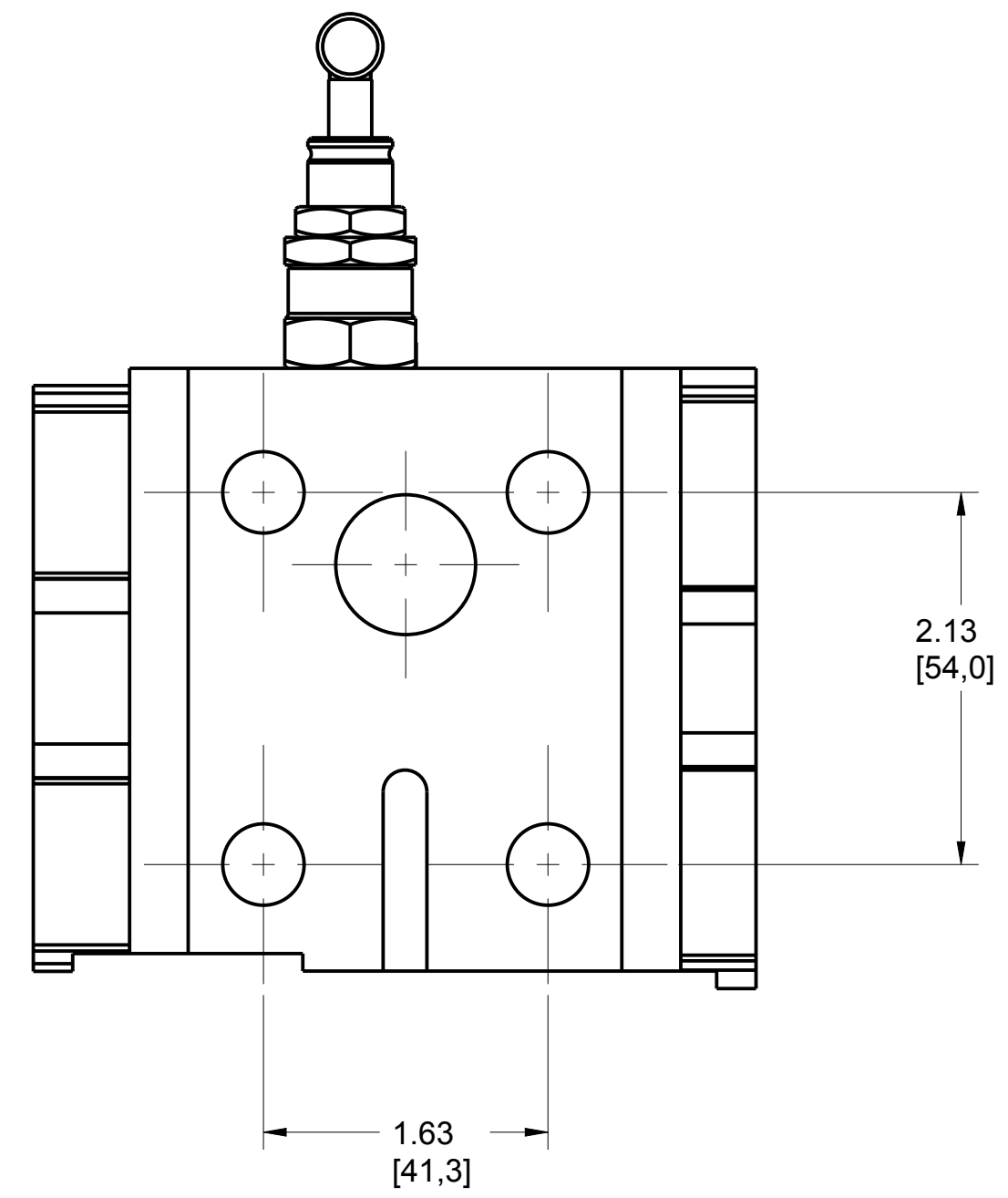
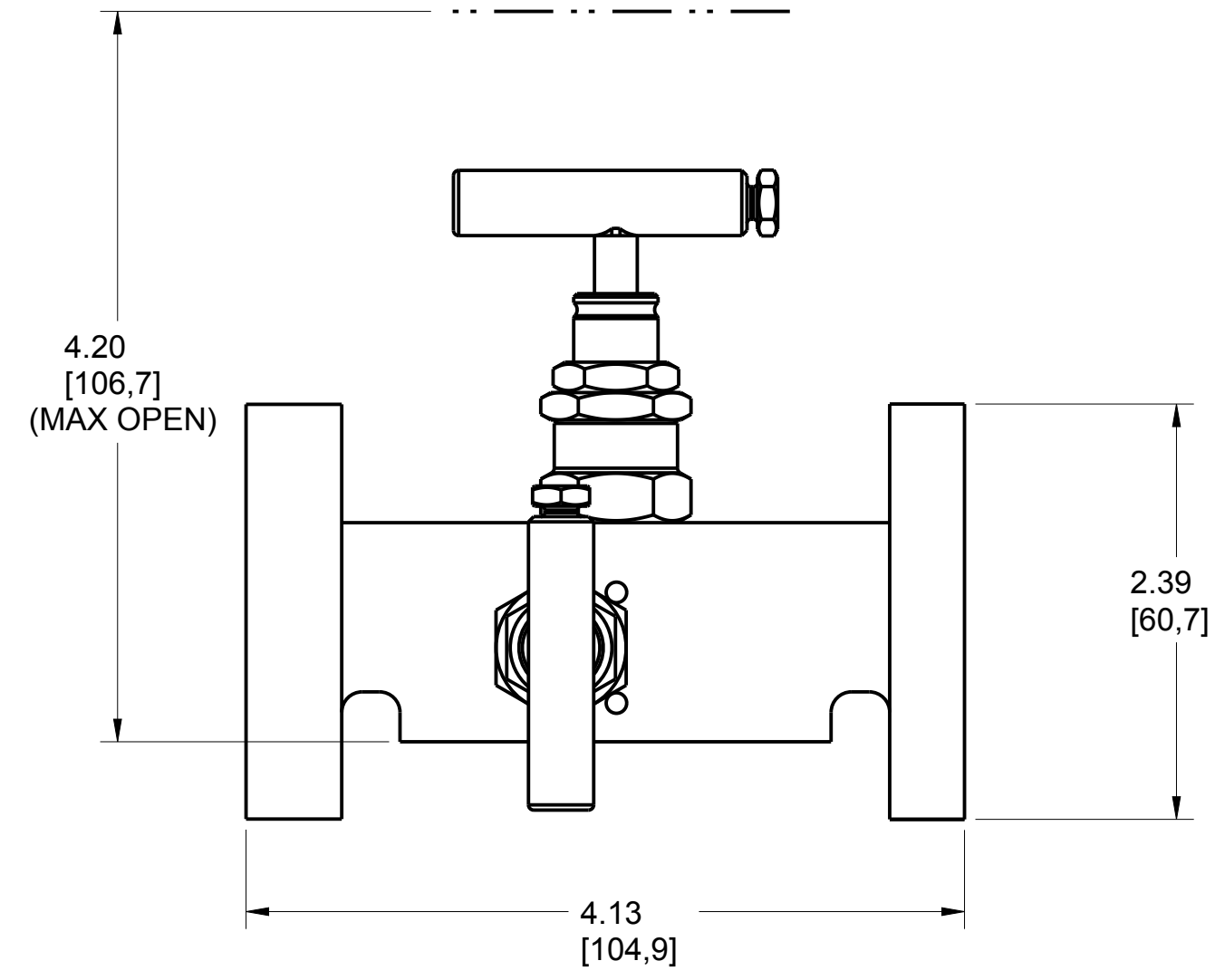
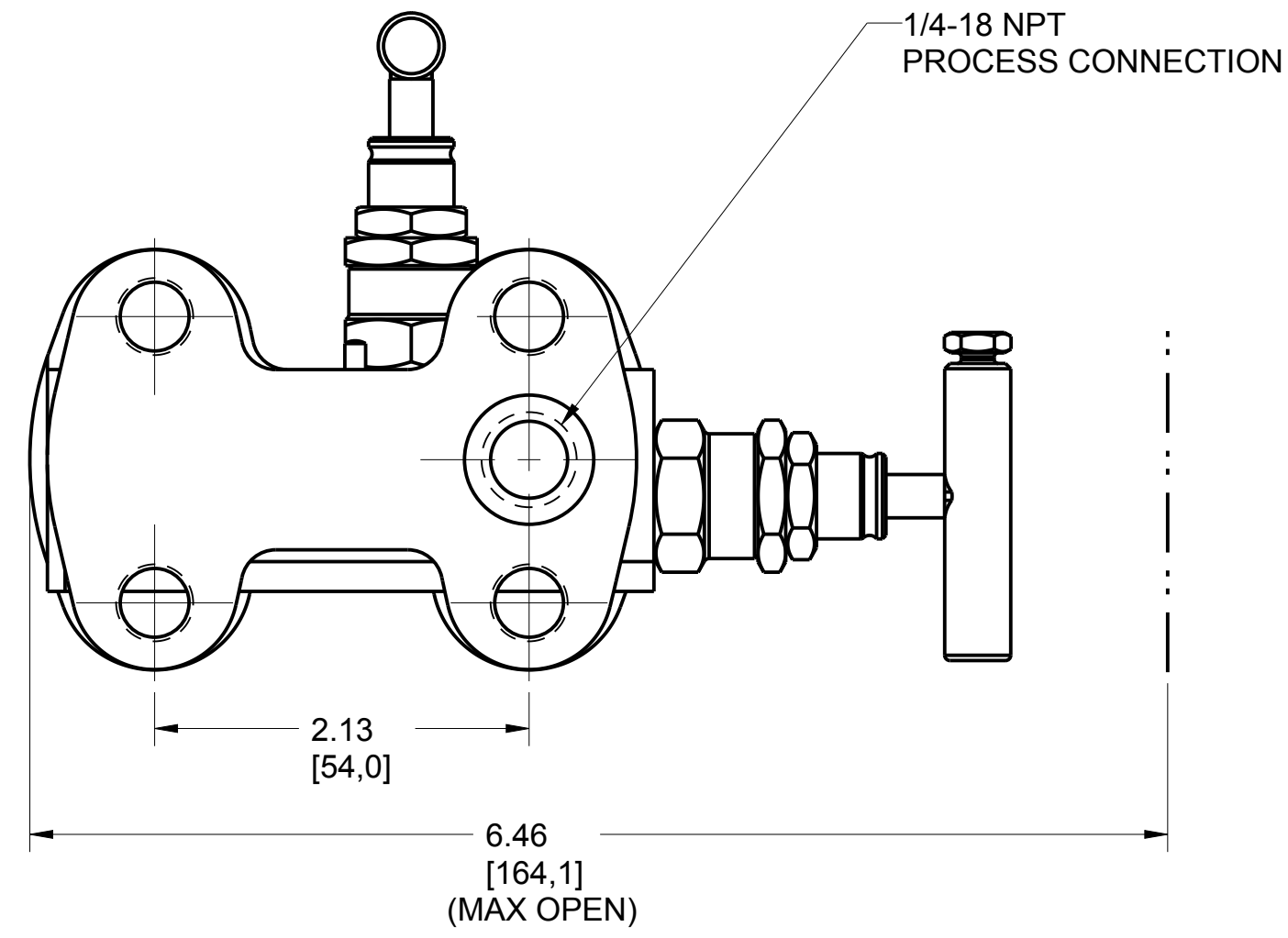


MODEL 305R TWO VALVE TRADITIONAL DIN STYLE MANIFOLD
 MODEL 305RM2 TWO VALVE

REVISION TABLE			
REVISION	ECO NO.	APP'D	DATE
AE	RTC1066867	T. STROTH	11/8/16
DESCRIPTION			
NEW RELEASE			



©2015 ROSEMOUNT INC.
 ROSEMOUNT INC. CERTIFIES
 THIS DRAWING IS IN
 ACCORDANCE WITH
 ROSEMOUNT ENGINEERING
 SPECIFICATIONS.
 UNIT NOTES IN INCHES (mm).

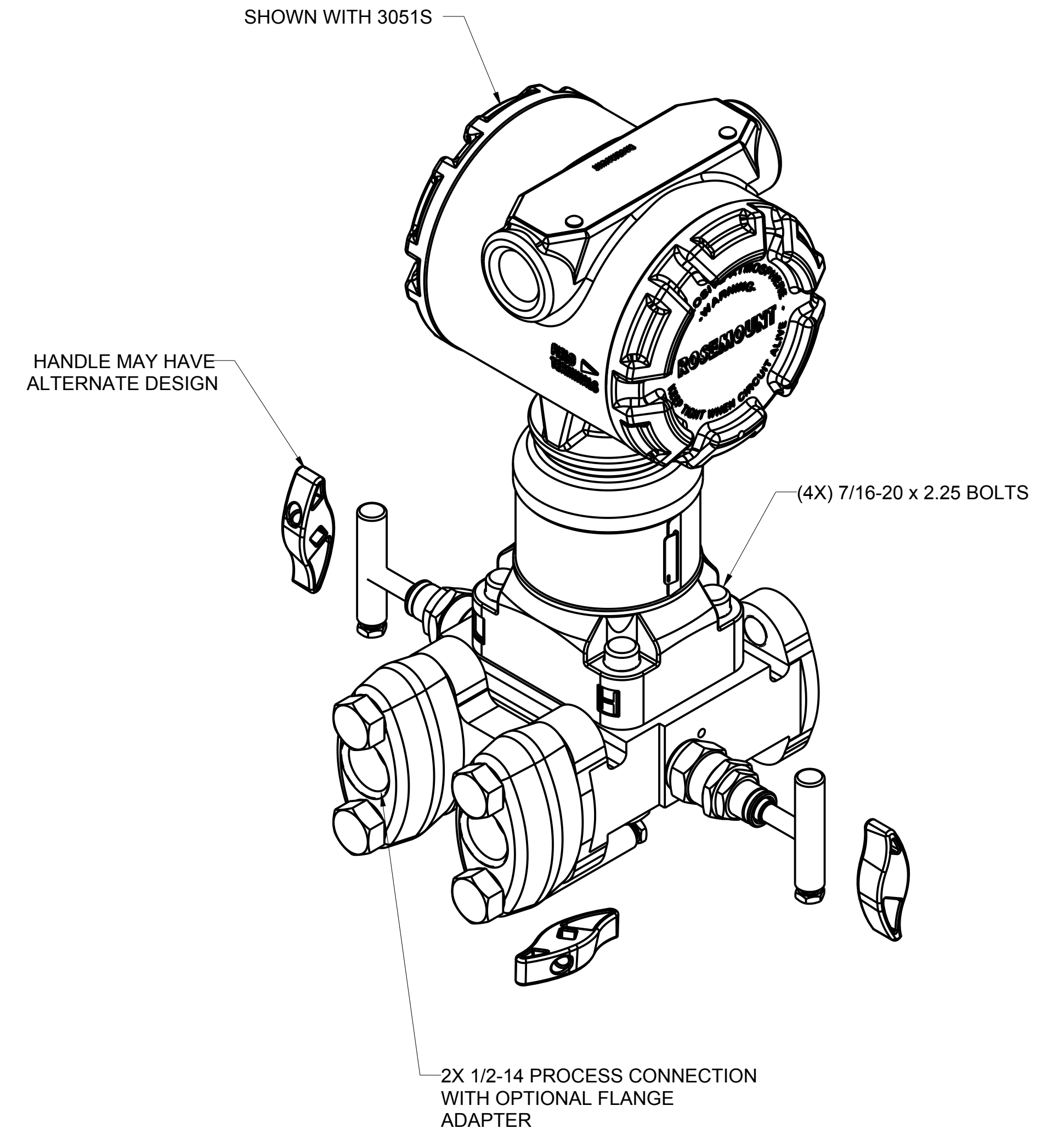
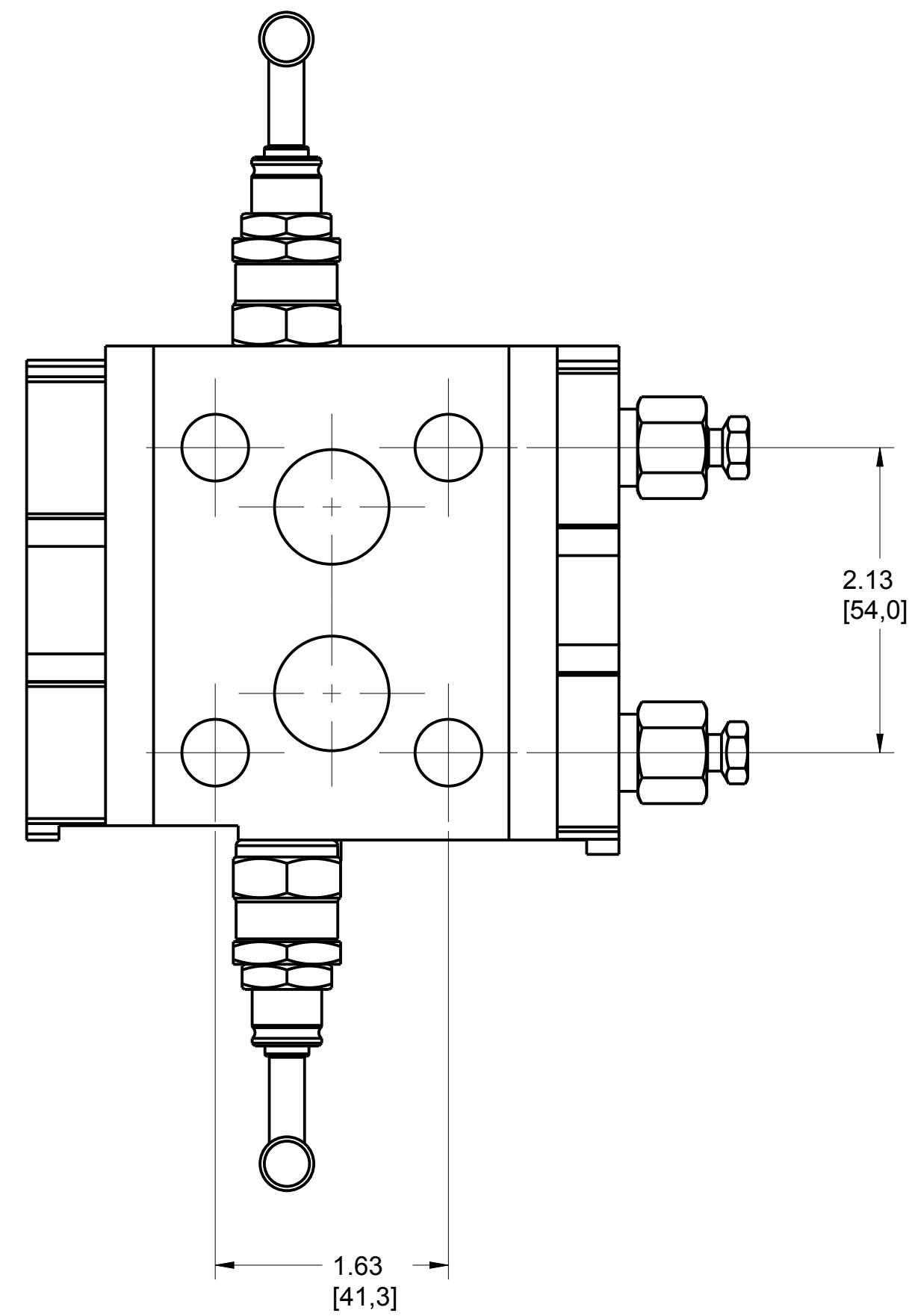
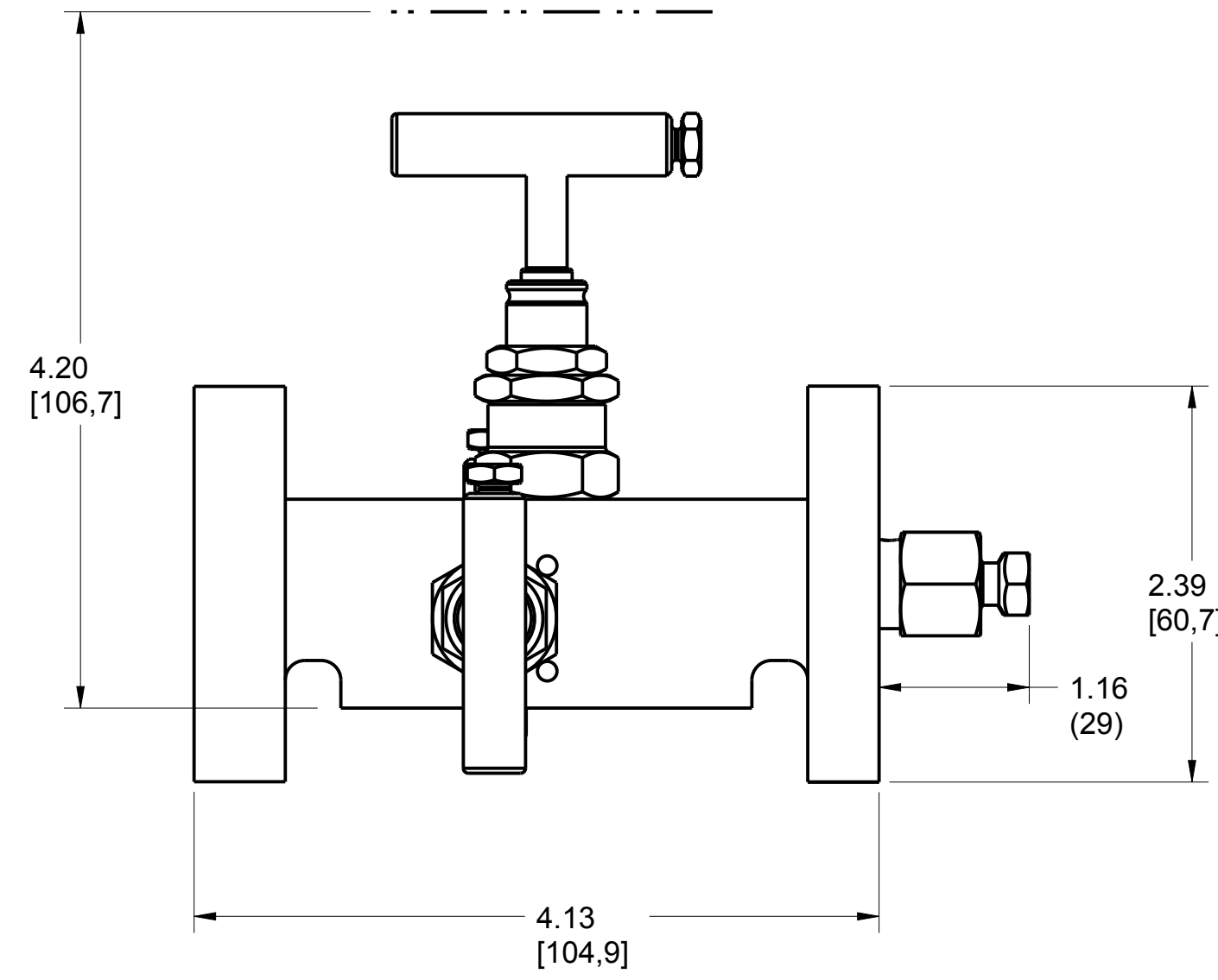
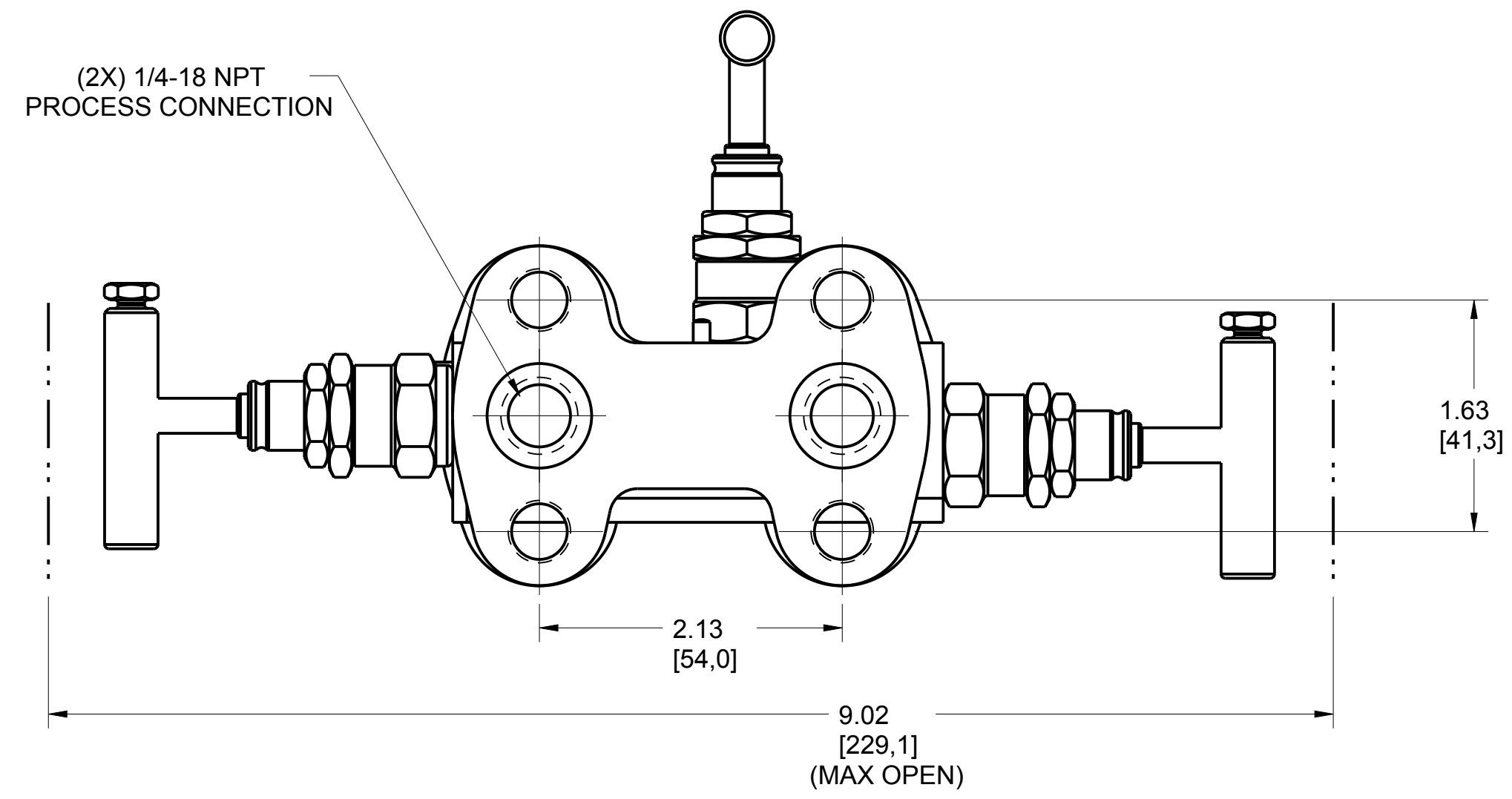
REFERENCE ROSEMOUNT
 PRODUCT SPECIFICATIONS.
 CLICK HERE

EMERSON

ROSEMOUNT 305RM MANIFOLDS
 TYPE I DRAWING

DR. J. ARMSTRONG	11/8/16	DRAWING NO.	00305-3014
APP'D T. STROTH	11/8/16		
CAD MAINTAINED, (PROE)		SHEET 1 OF 3	

MODEL 305R THREE VALVE TRADITIONAL DIN STYLE MANIFOLD
 MODEL 305RM3 THREE VALVE



©2015 ROSEMOUNT INC.
 ROSEMOUNT INC. CERTIFIES
 THIS DRAWING IS MADE IN
 ACCORDANCE WITH
 ROSEMOUNT ENGINEERING
 SPECIFICATIONS.
 UNIT NOTES IN INCHES (mm).

EMERSON

ROSEMOUNT 305RM MANIFOLDS
 TYPE I DRAWING

DR. J. ARMSTRONG 11/8/16 DRAWING NO.
 APP'D T. STROTH 11/8/16 00305-3014

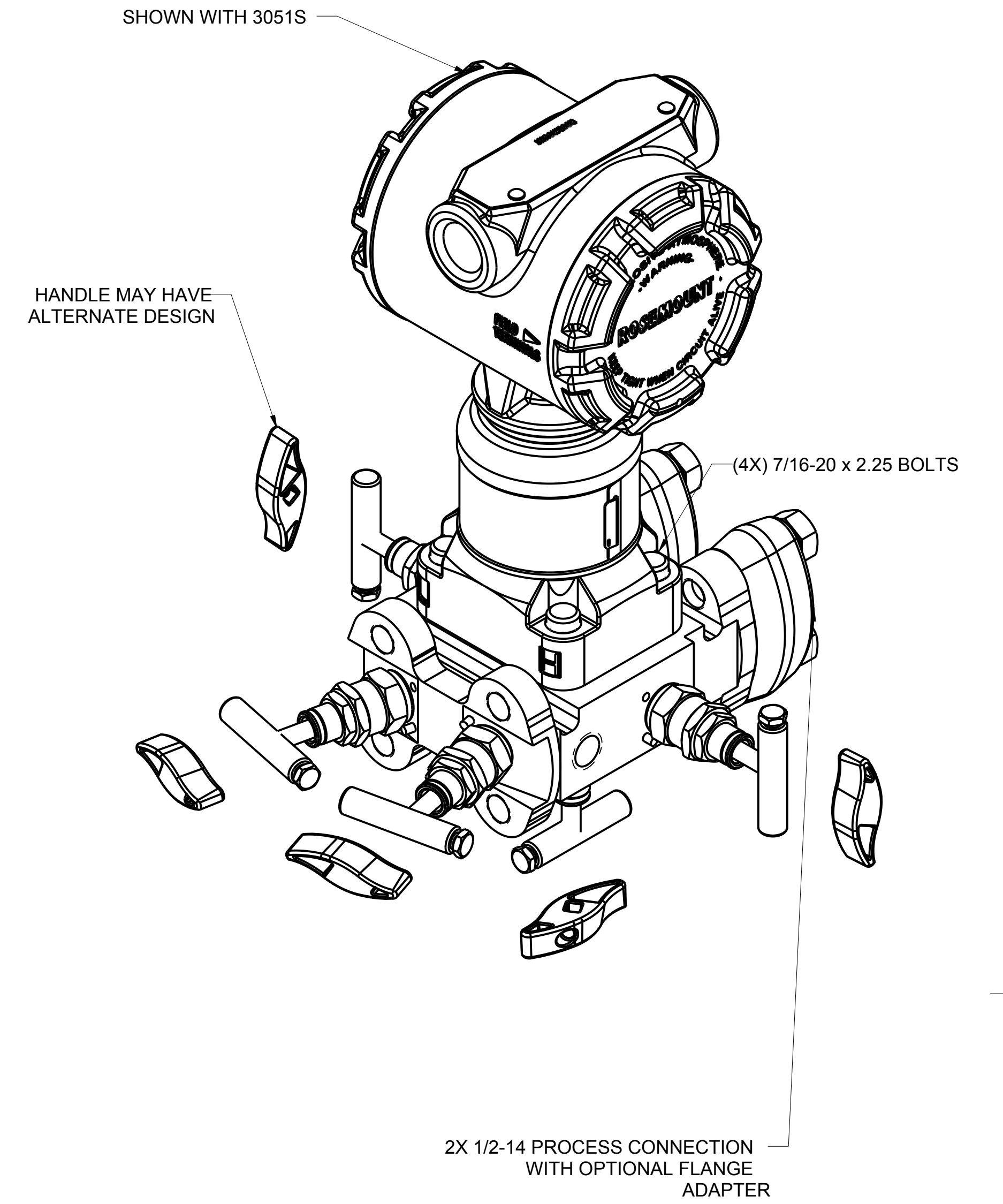
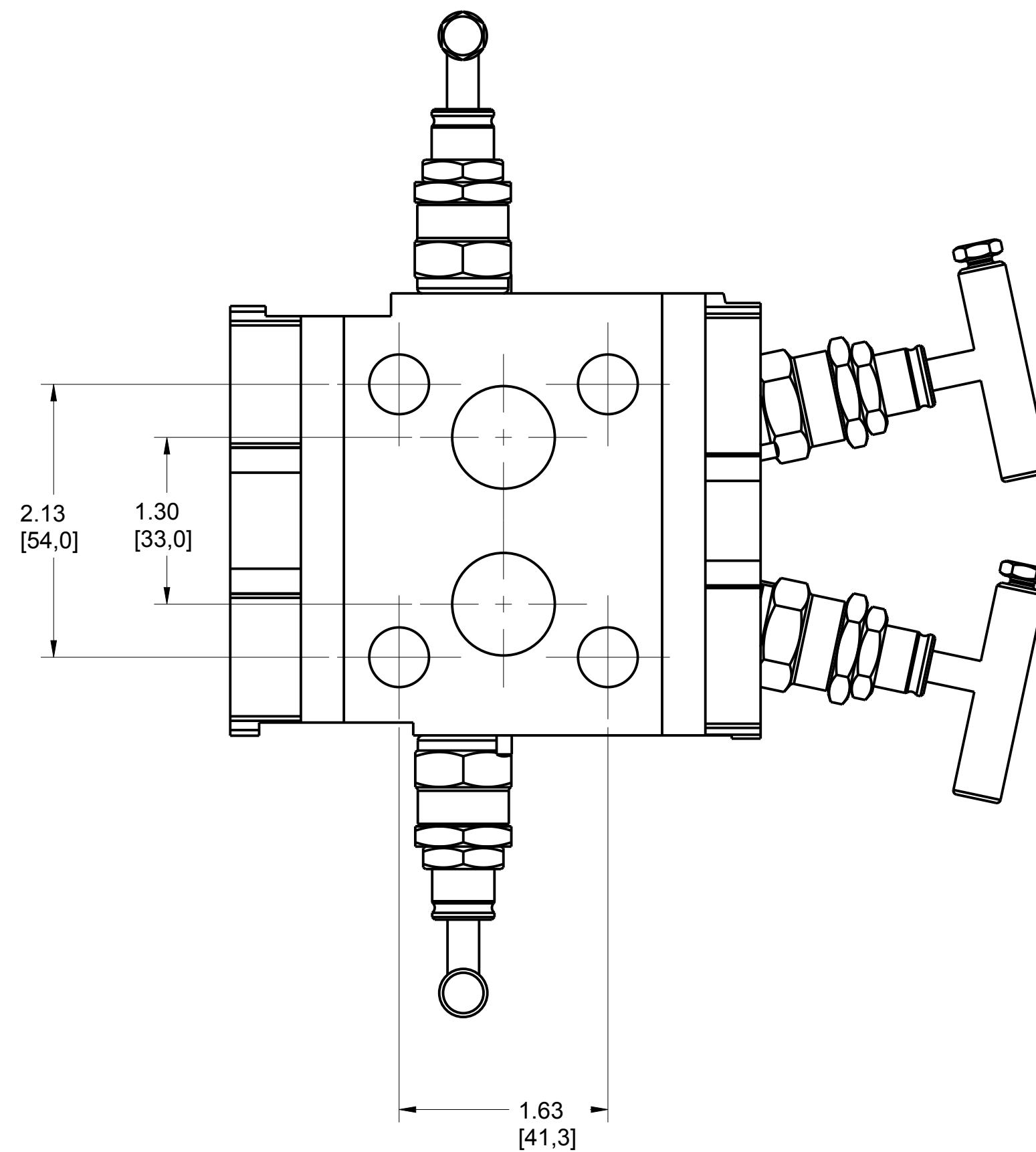
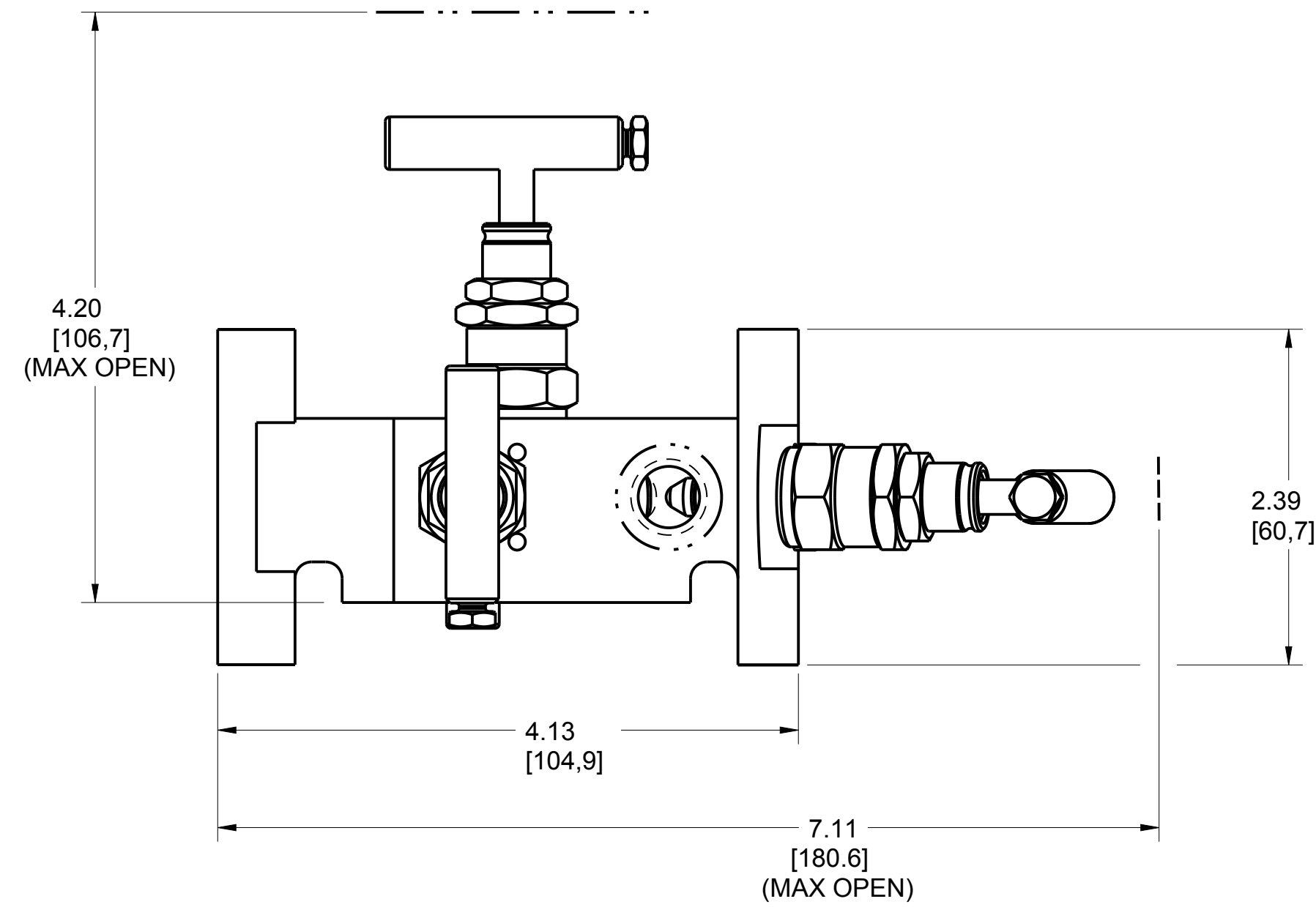
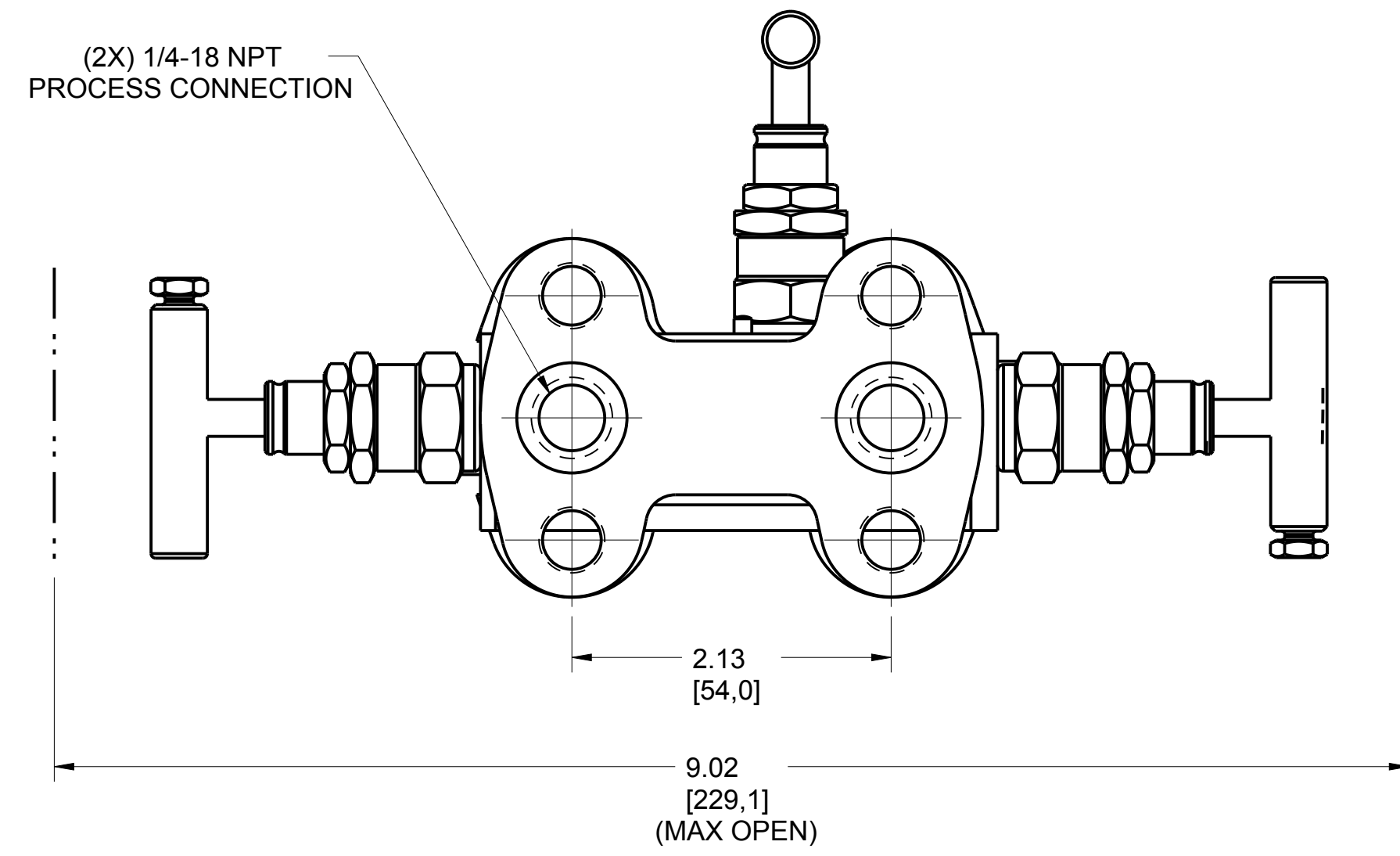
CAD MAINTAINED, (PROE) SHEET 2 OF 3

3RD ANGLE

SIZE D SCALE NTS

CLICK HERE

MODEL 305R FIVE VALVE TRADITIONAL DIN STYLE MANIFOLD
 MODEL 305RM5 FIVE VALVE



©2015 ROSEMOUNT INC.
 ROSEMOUNT INC. CERTIFIES
 THIS DRAWING IS MADE IN
 ACCORDANCE WITH THE
 ROSEMOUNT ENGINEERING
 SPECIFICATIONS.
 UNIT NOTES IN INCHES (mm).

EMERSON

ROSEMOUNT 305RM MANIFOLDS
 TYPE I DRAWING

DR. J. ARMSTRONG 11/8/16 DRAWING NO.
 APP'D T. STROTH 11/8/16 00305-3014

CAD MAINTAINED, (PROE) SHEET 3 OF 3

3RD ANGLE

SIZE D SCALE NTS

CLICK HERE

REFERENCE ROSEMOUNT
 PRODUCT SPECIFICATIONS.