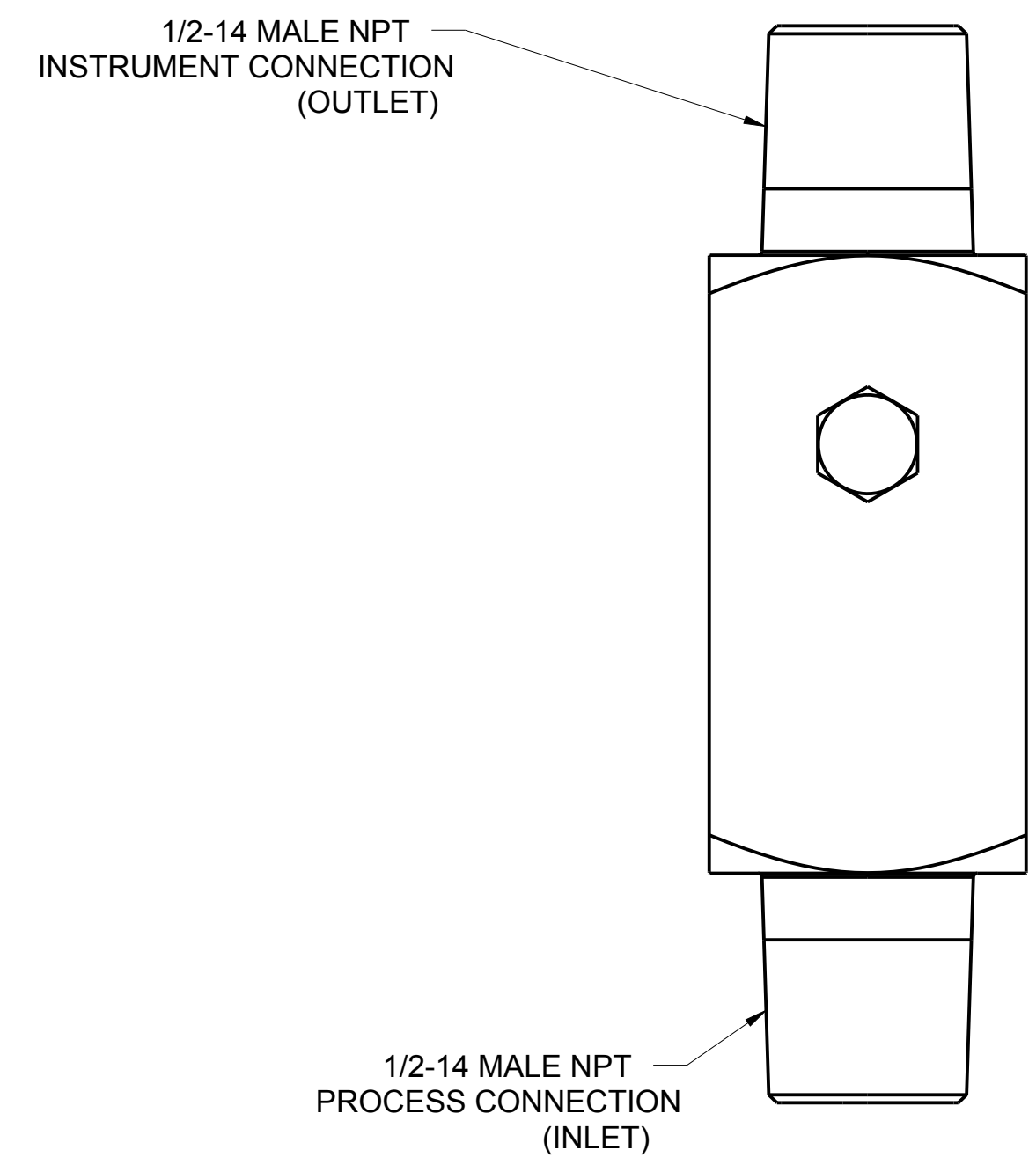
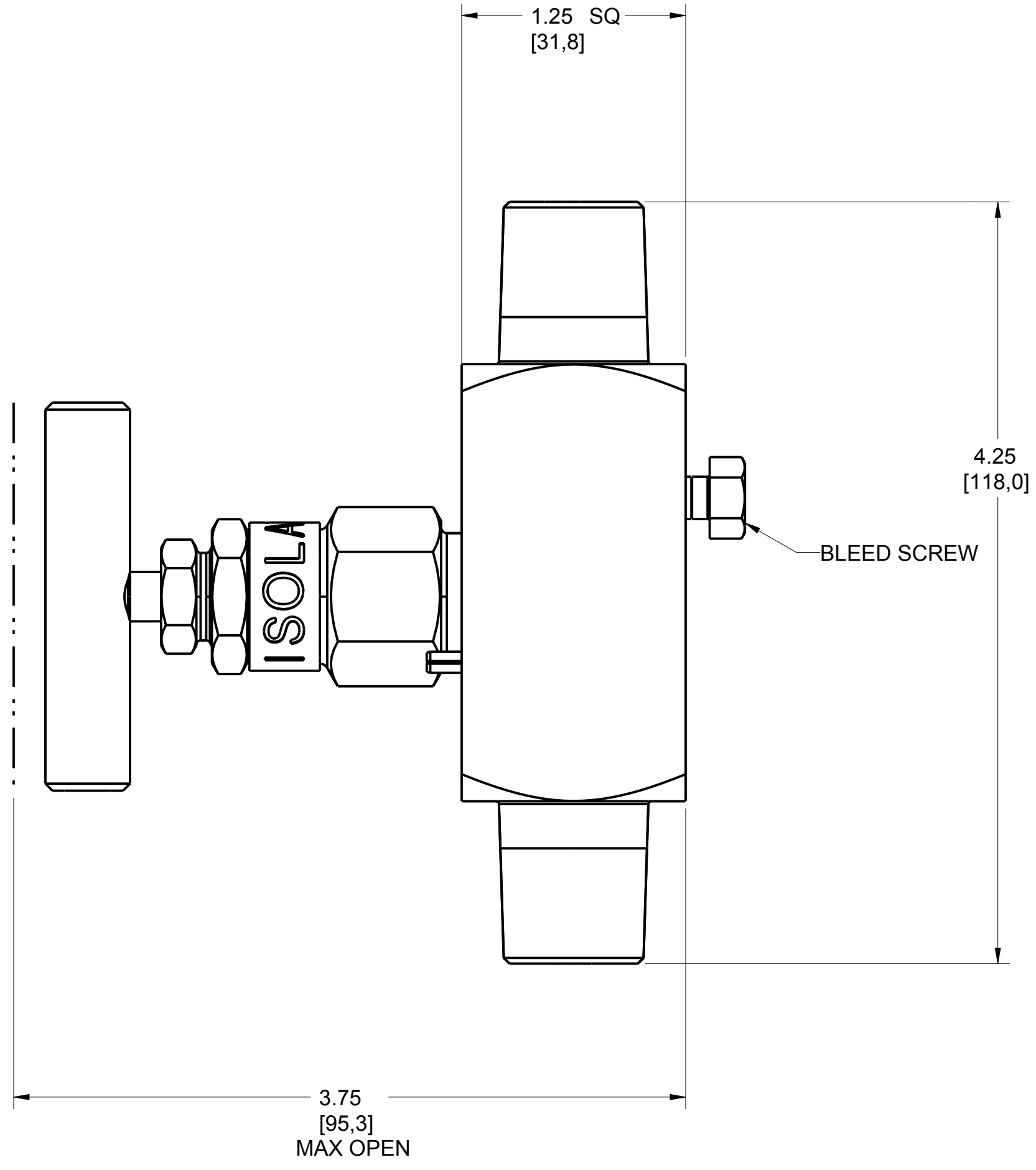
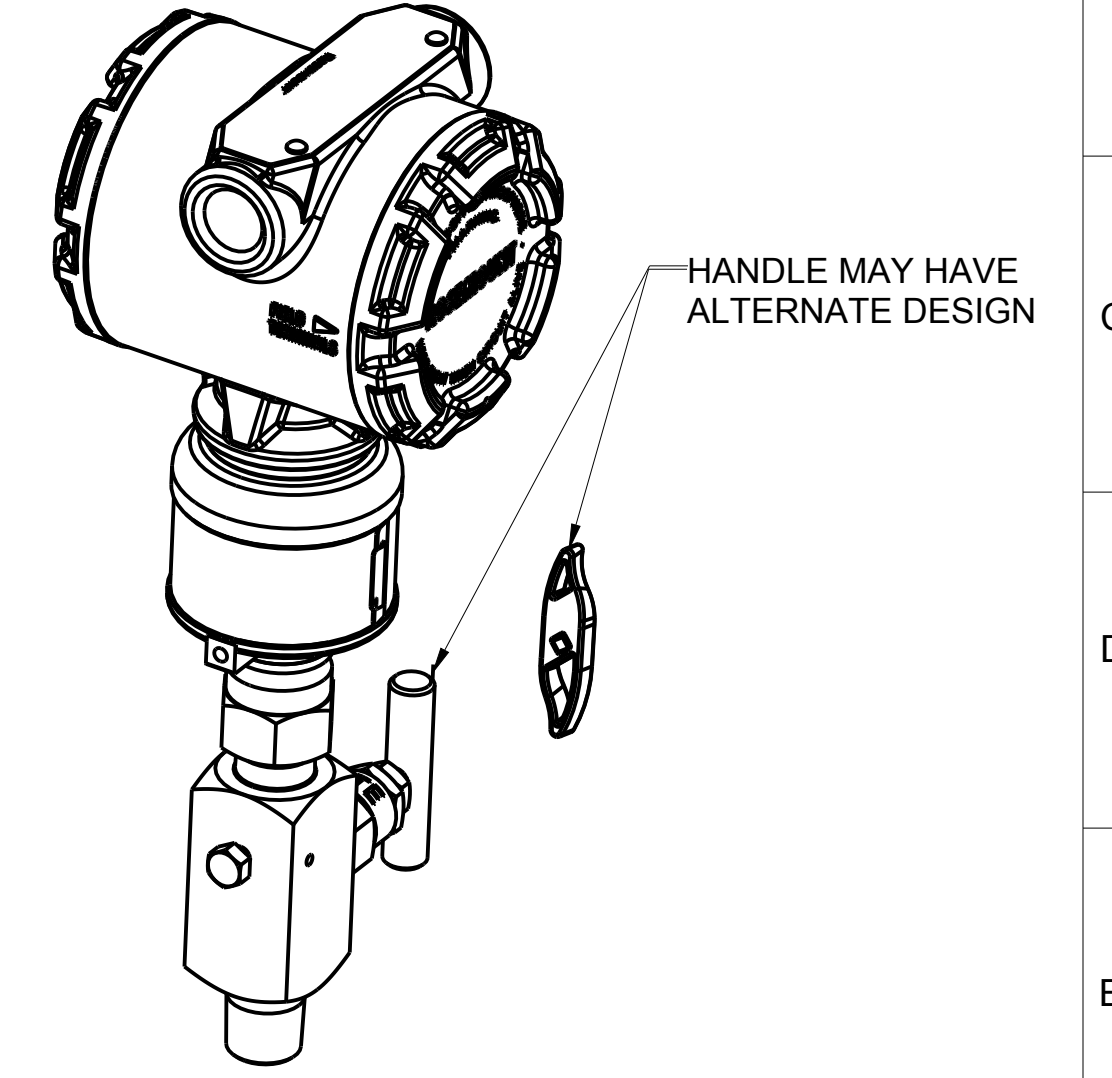
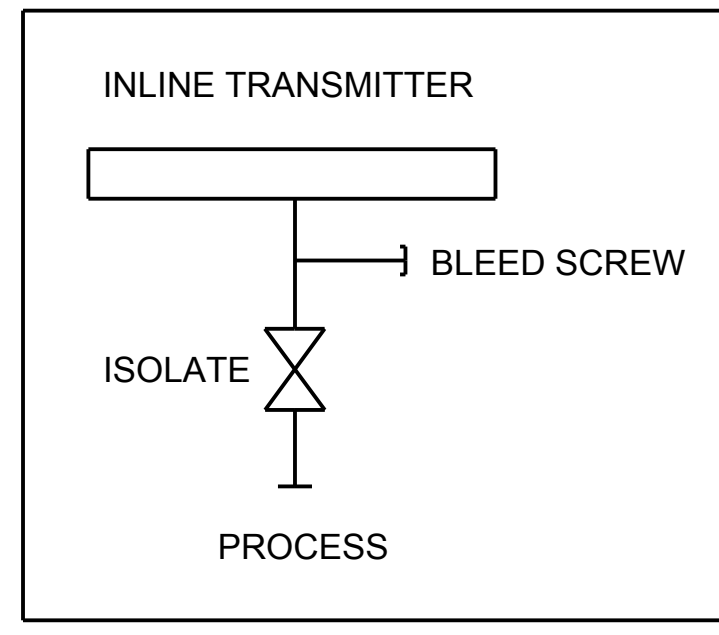


# ROSEMOUNT 306RT1 BLOCK AND BLEED MANIFOLD

REVISION TABLE			
REVISION	ECO NO.	APP'D	DATE
AH	RTC1069015	T. STROTH	10/2/17
DESCRIPTION			
DIMENSION ON PAGE 4 PANEL MOUNT VIEW DIMS UPDATED.			



©2015 ROSEMOUNT INC.  
ROSEMOUNT INC. CERTIFIES THIS DRAWING AS BEING IN ACCORDANCE WITH ROSEMOUNT ENGINEERING SPECIFICATIONS.  
UNIT NOTES IN INCHES (mm).  
REFERENCE ROSEMOUNT PRODUCT SPECIFICATIONS.  
CLICK HERE

EMERSON

TITLE: ROSEMOUNT 0306RT MANIFOLD TYPE I DRAWING

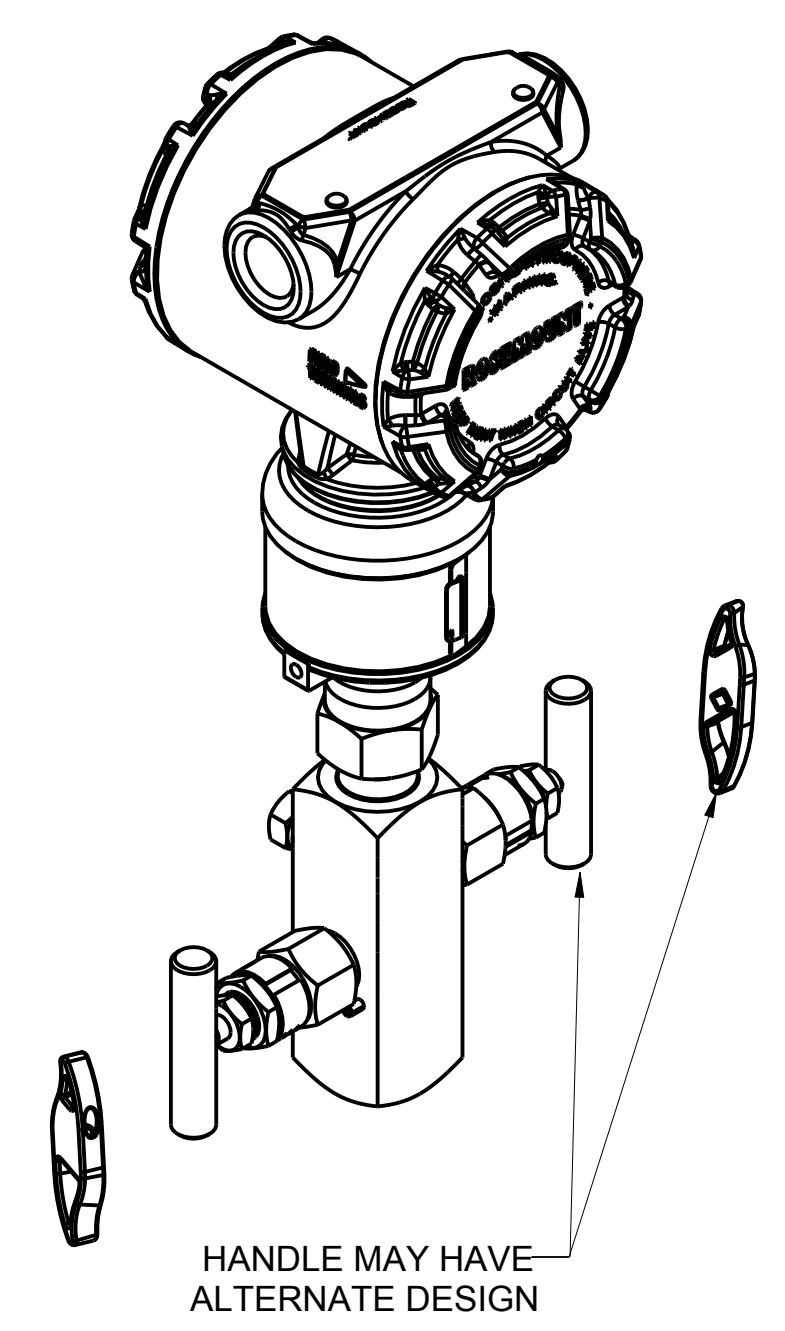
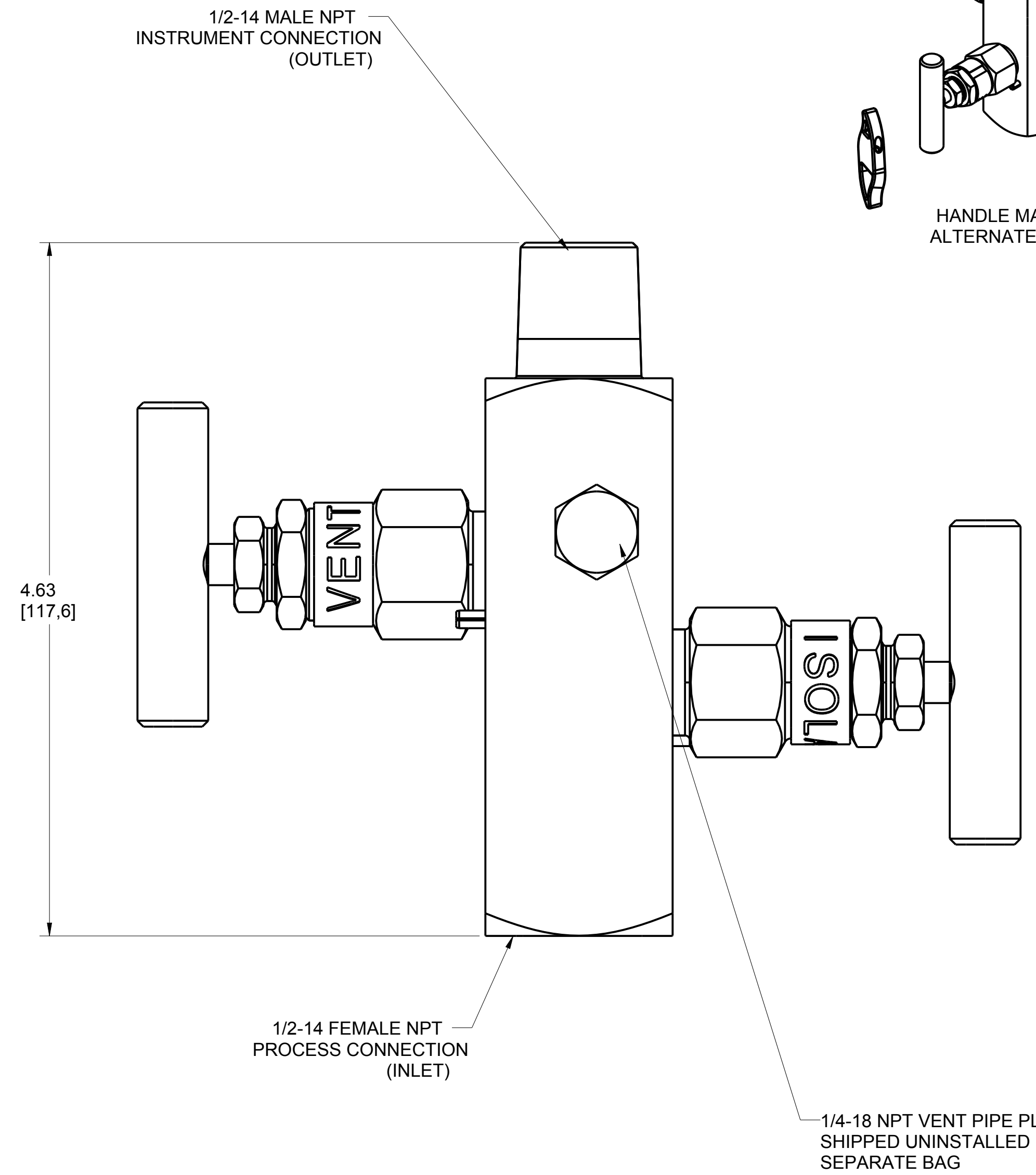
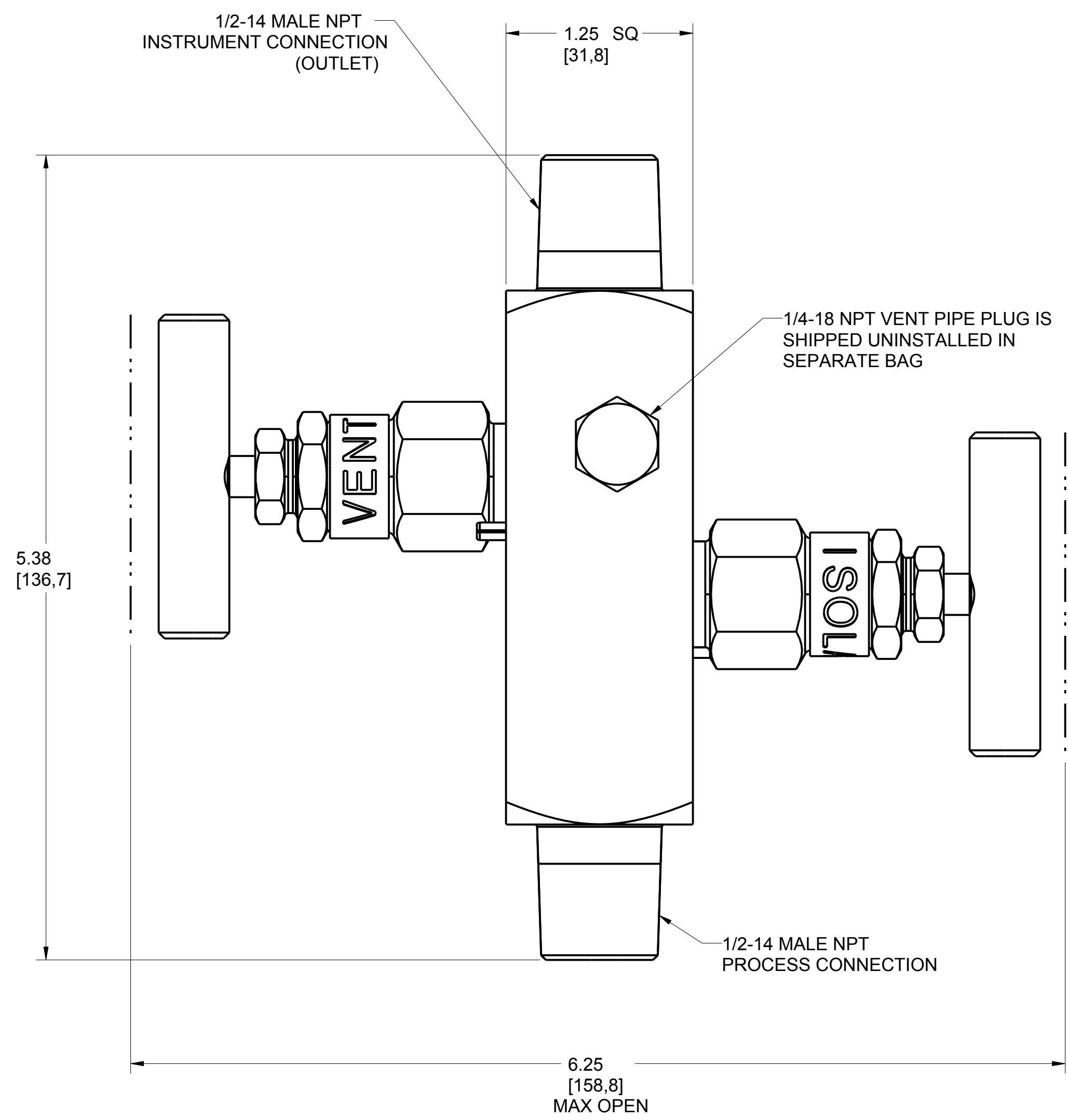
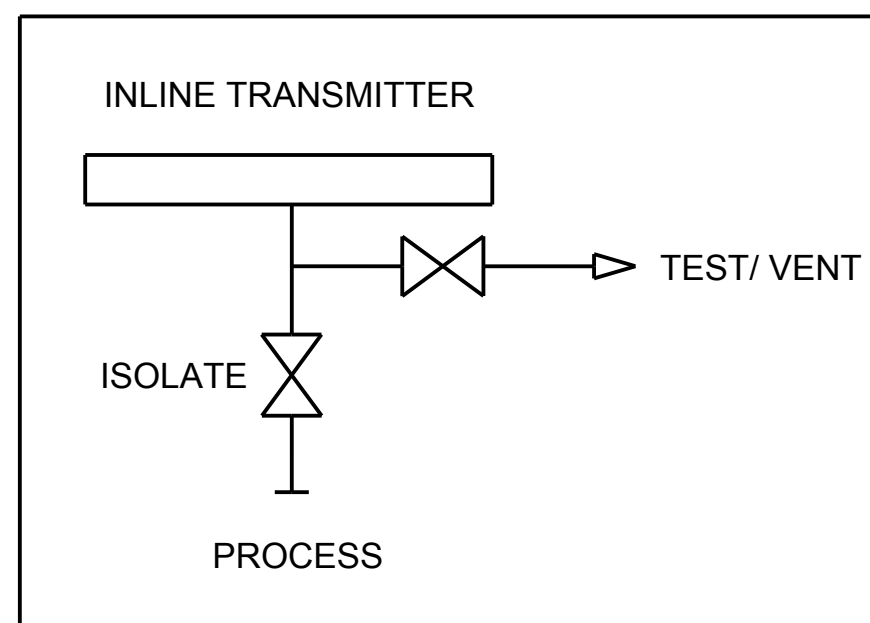
DR.	T. STROTH	10/21/15	DRAWING NO.	00306-3007
APP'D	JLA	10/21/15		
CAD MAINTAINED, (PROE)				SHEET 1 OF 5

3RD ANGLE

SIZE D

SCALE NTS

# ROSEMOUNT 306RT2 TWO VALVE MANIFOLD



©2015 ROSEMOUNT INC. ROSEMOUNT INC. CERTIFIES THIS DRAWING TO THE EXTENT OF ACCORDANCE WITH ROSEMOUNT ENGINEERING SPECIFICATIONS. UNIT NOTES IN INCHES (mm). REFERENCE ROSEMOUNT PRODUCT SPECIFICATIONS. CLICK HERE

**EMERSON**

TITLE: ROSEMOUNT 0306RT MANIFOLD TYPE I DRAWING

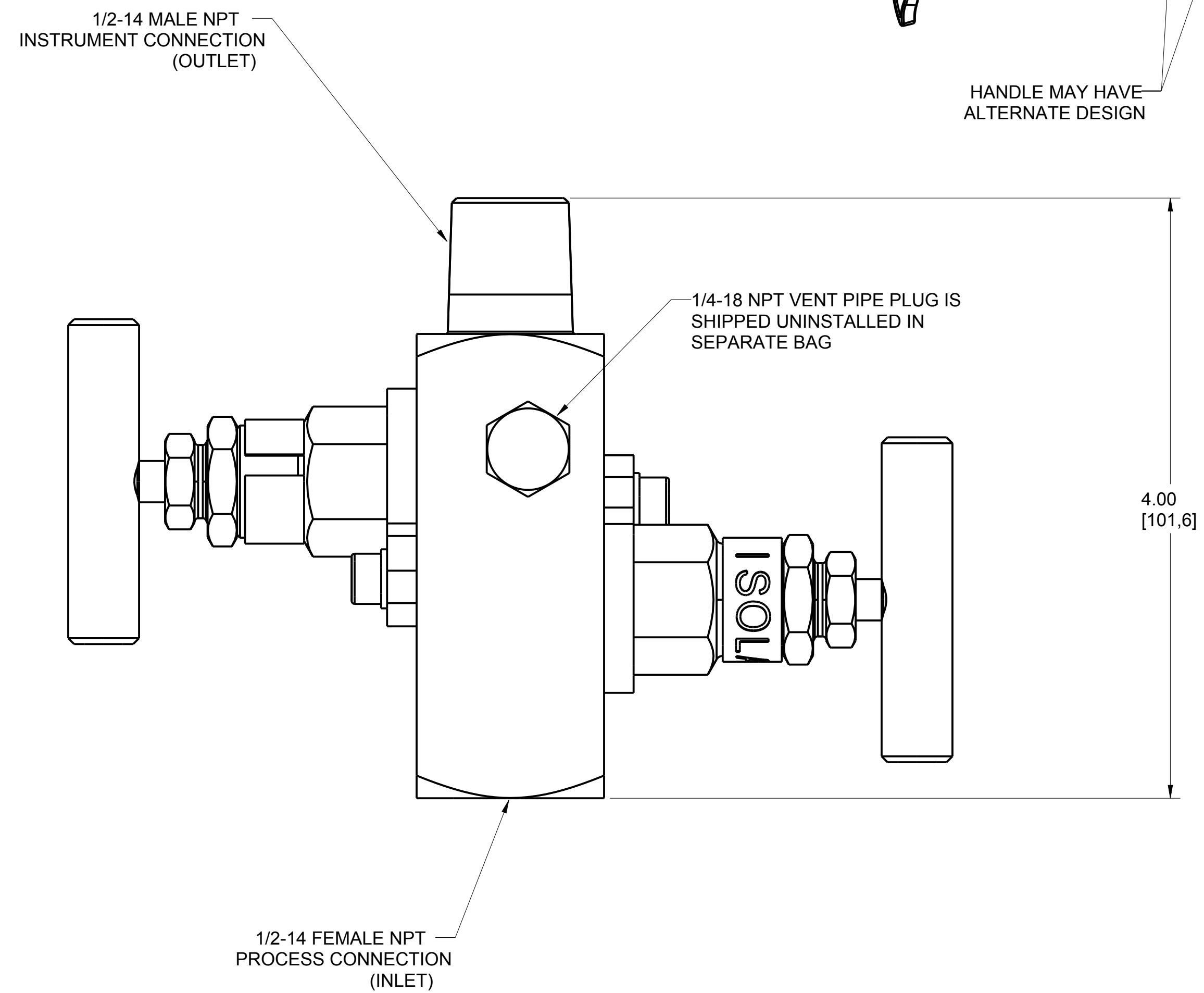
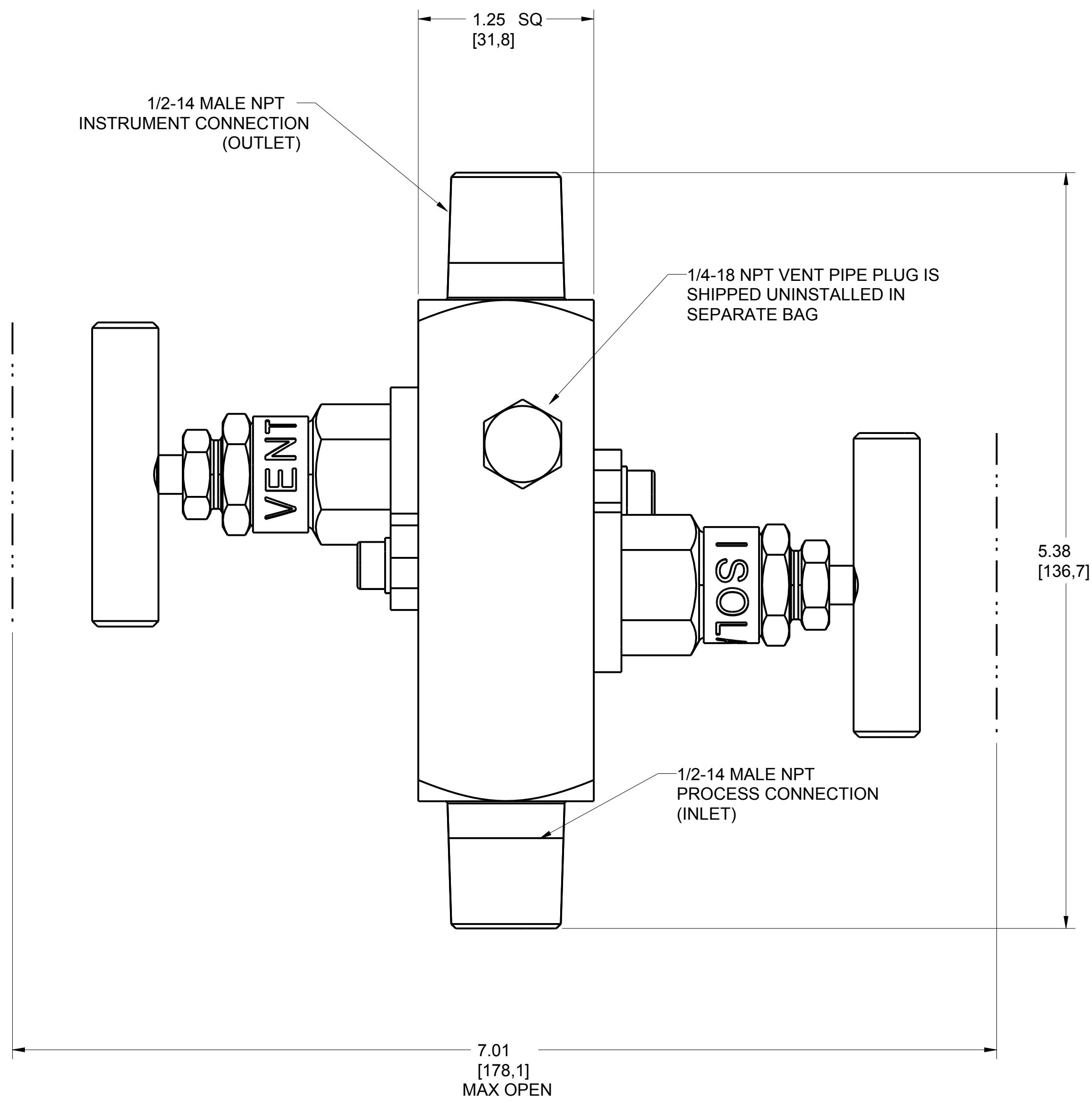
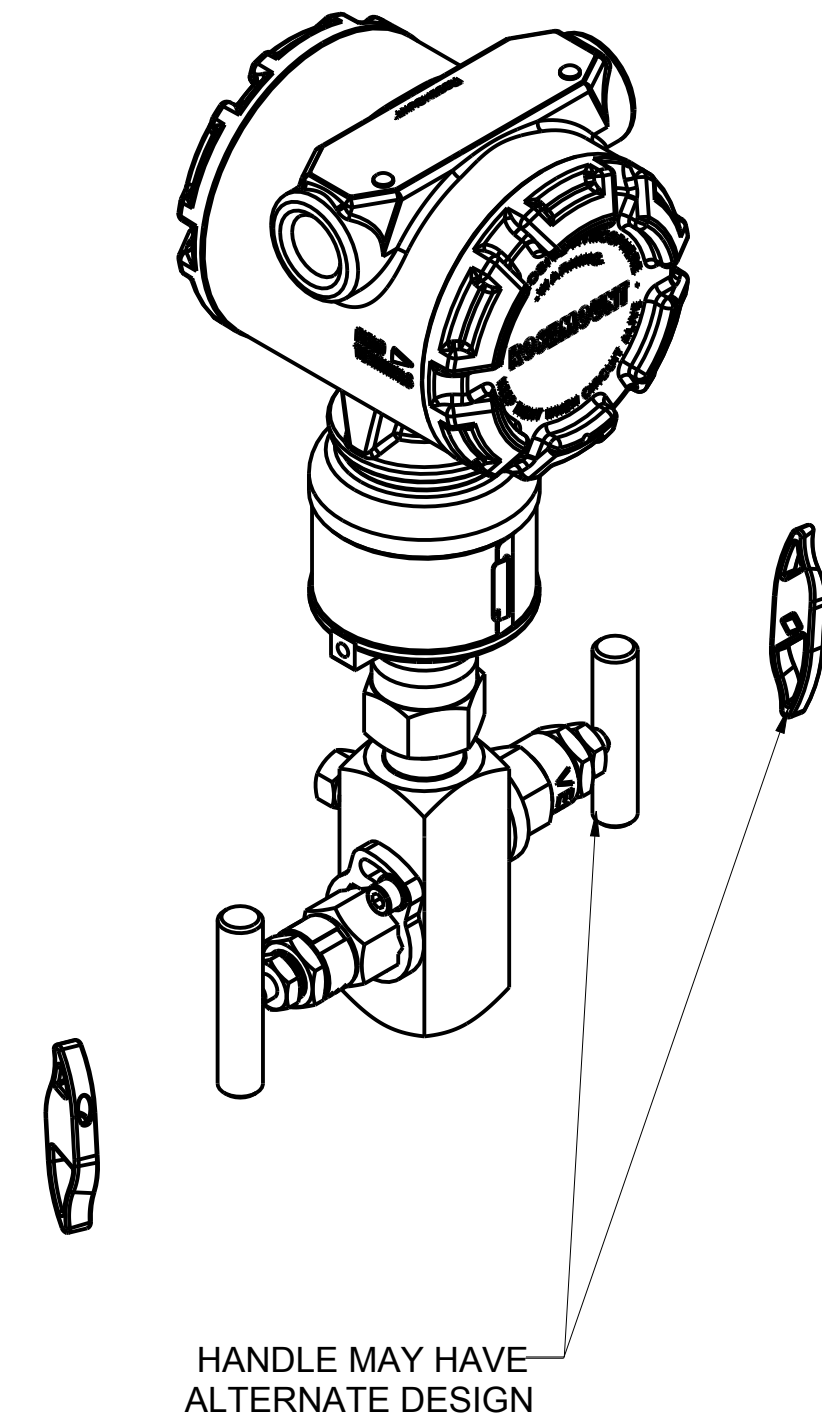
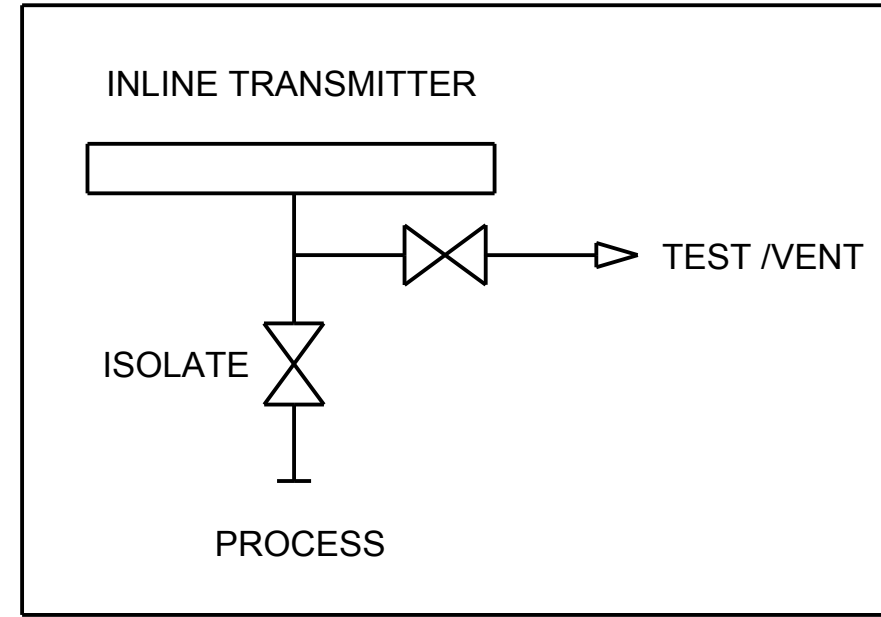
DR. T. STROTH	10/21/15	DRAWING NO.	00306-3007
APPD JLA	10/21/15		
CAD MAINTAINED, (PROE)		SHEET 2 OF 5	

3RD ANGLE

SIZE D

SCALE NTS

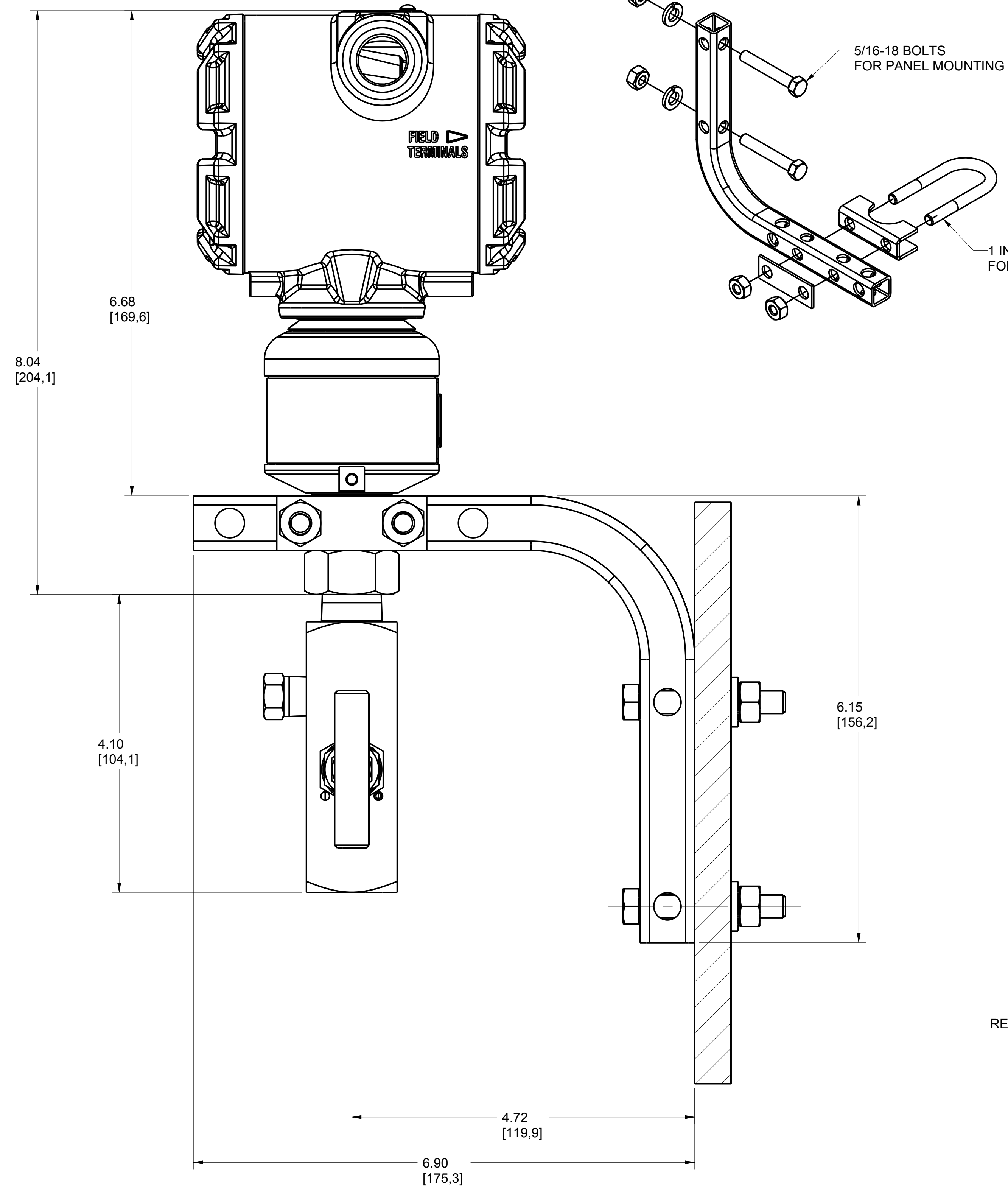
# ROSEMOUNT 306RT3 TWO VALVE (ASME B31.1) MANIFOLD



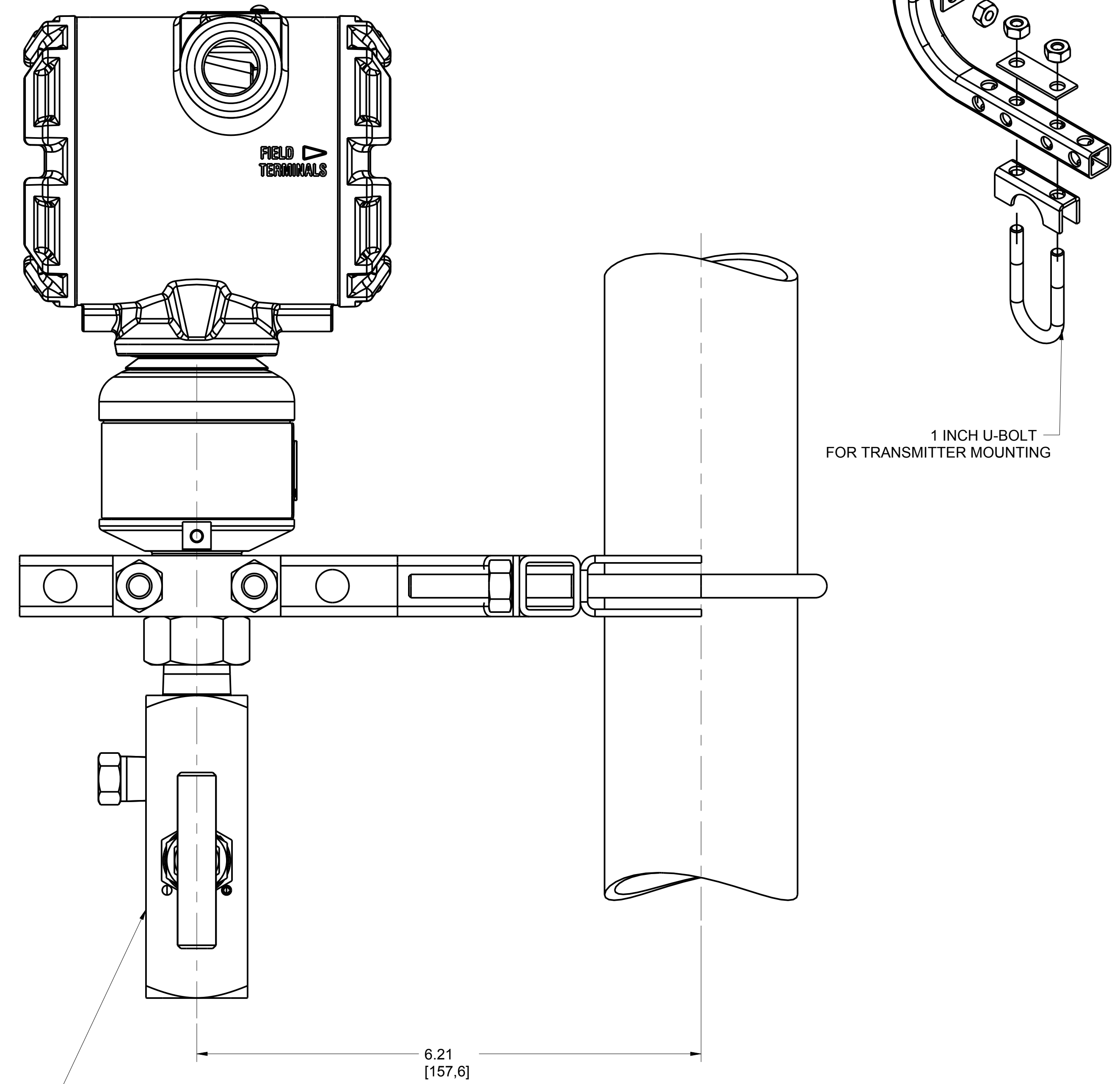
©2015 ROSEMOUNT INC. ROSEMOUNT INC. CERTIFIES THIS DRAWING TO BE IN ACCORDANCE WITH ROSEMOUNT ENGINEERING SPECIFICATIONS. UNIT NOTES IN INCHES (mm). REFERENCE ROSEMOUNT PRODUCT SPECIFICATIONS. CLICK HERE		3RD ANGLE	SIZE D	SCALE NTS
	<b>TITLE</b> ROSEMOUNT 0306RT MANIFOLD TYPE I DRAWING			
	DR. T. STROTH 10/21/15	DRAWING NO.	00306-3007	
	APPD JLA 10/21/15	CAD MAINTAINED, (PROE) SHEET 3 OF 5		

ROSEMOUNT 3051S IN-LINE PRESSURE TRANSMITTER WITH 306R MANIFOLD  
 IN-LINE MOUNTING CONFIGURATION WITH OPTIONAL MOUNTING BRACKET

PANEL MOUNTING



PIPE MOUNTING



MANIFOLD VALVE ORIENTATION IS NOT CONTROLLED WITH RELATION TO TRANSMITTER HOUSING

©2015 ROSEMOUNT INC.  
 ROSEMOUNT INC. CERTIFIES  
 THIS DRAWING IS IN  
 ACCORDANCE WITH  
 ROSEMOUNT ENGINEERING  
 SPECIFICATIONS.  
 UNIT NOTES IN INCHES (mm).

EMERSON

ROSEMOUNT 0306RT MANIFOLD  
 TYPE I DRAWING

DR. T. STROTH 10/21/15 DRAWING NO. 00306-3007

APPD JLA 10/21/15

CAD MAINTAINED, (PROE)

SHEET 4 OF 5

3RD ANGLE

SIZE D

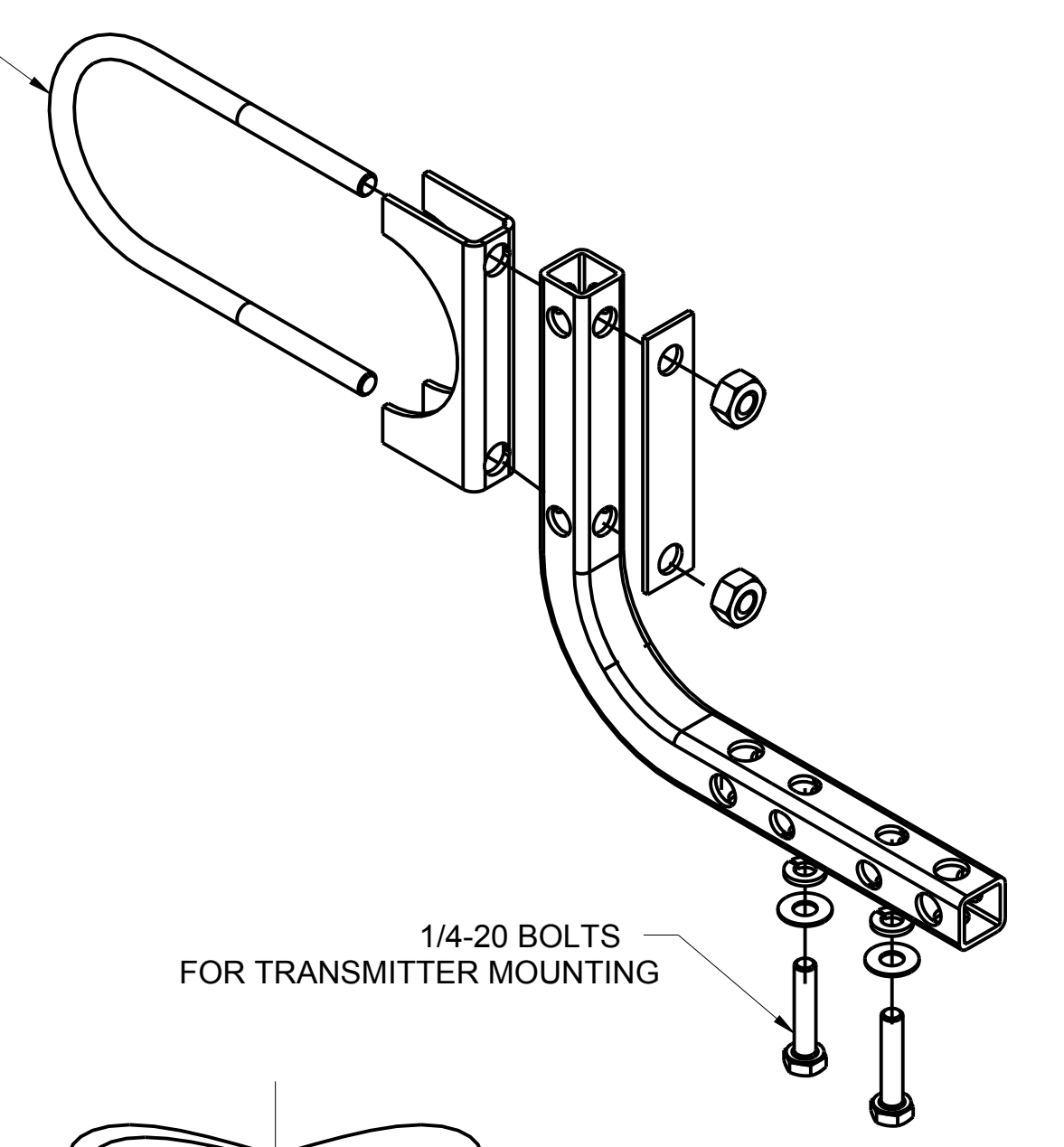
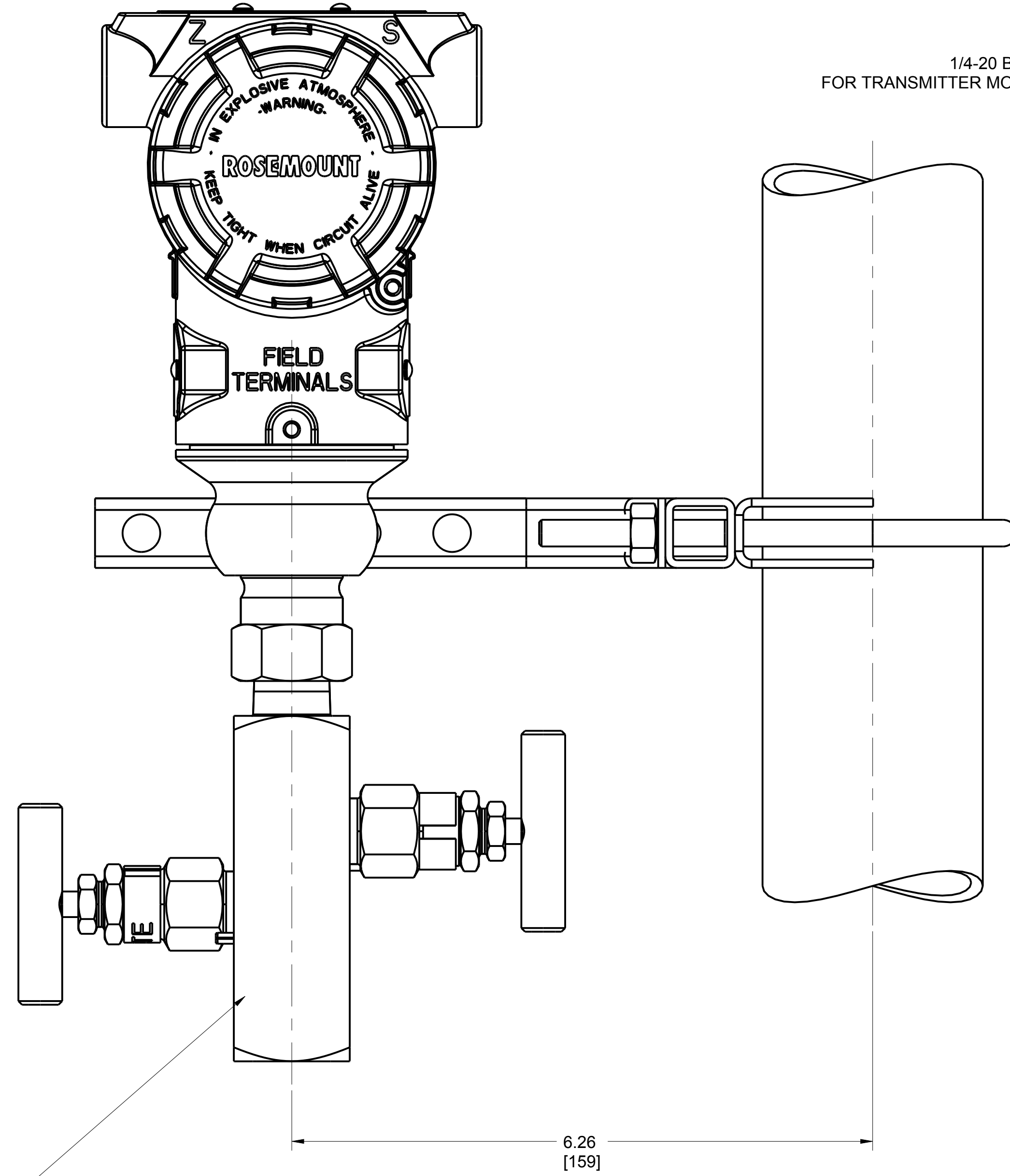
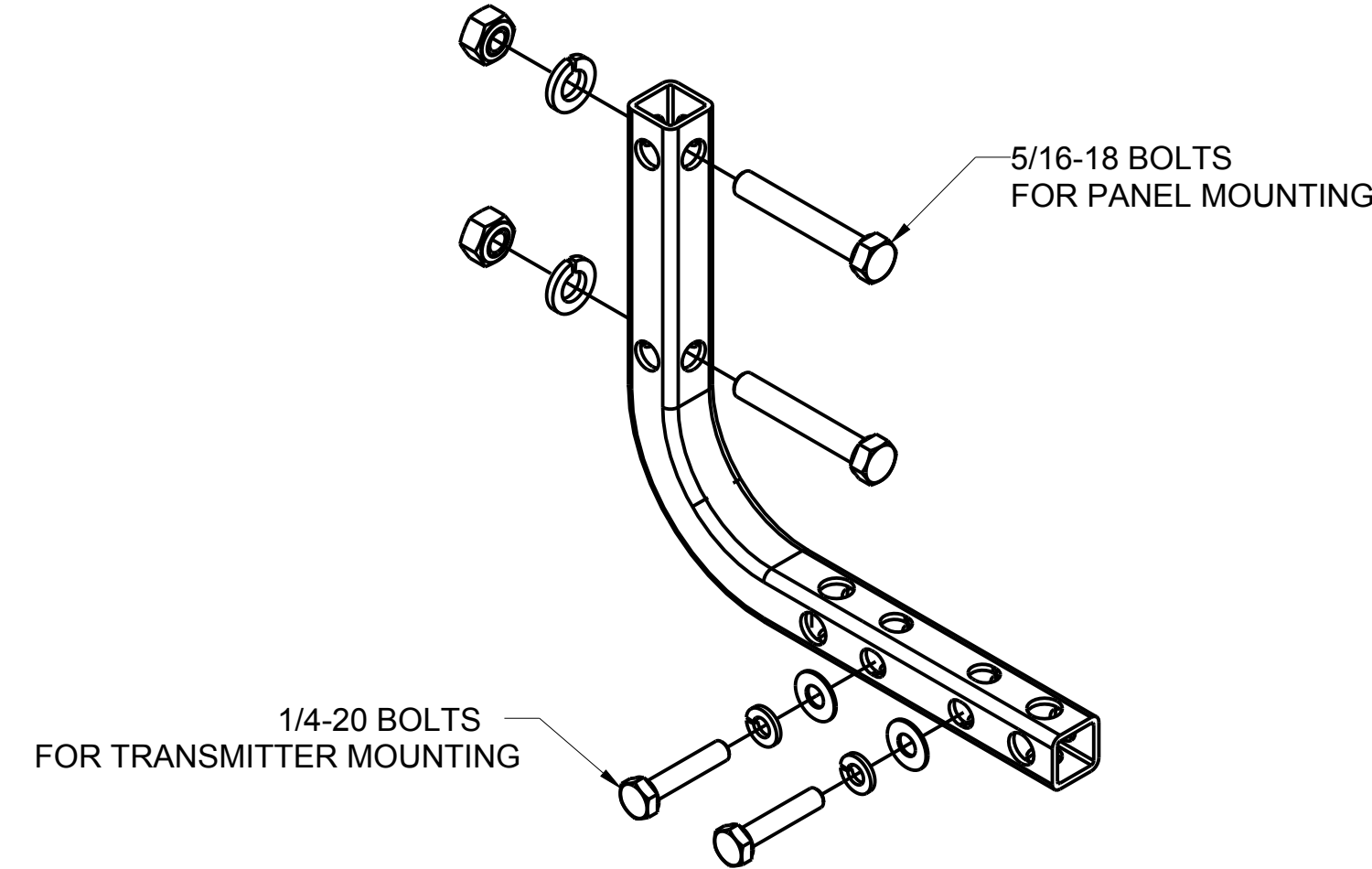
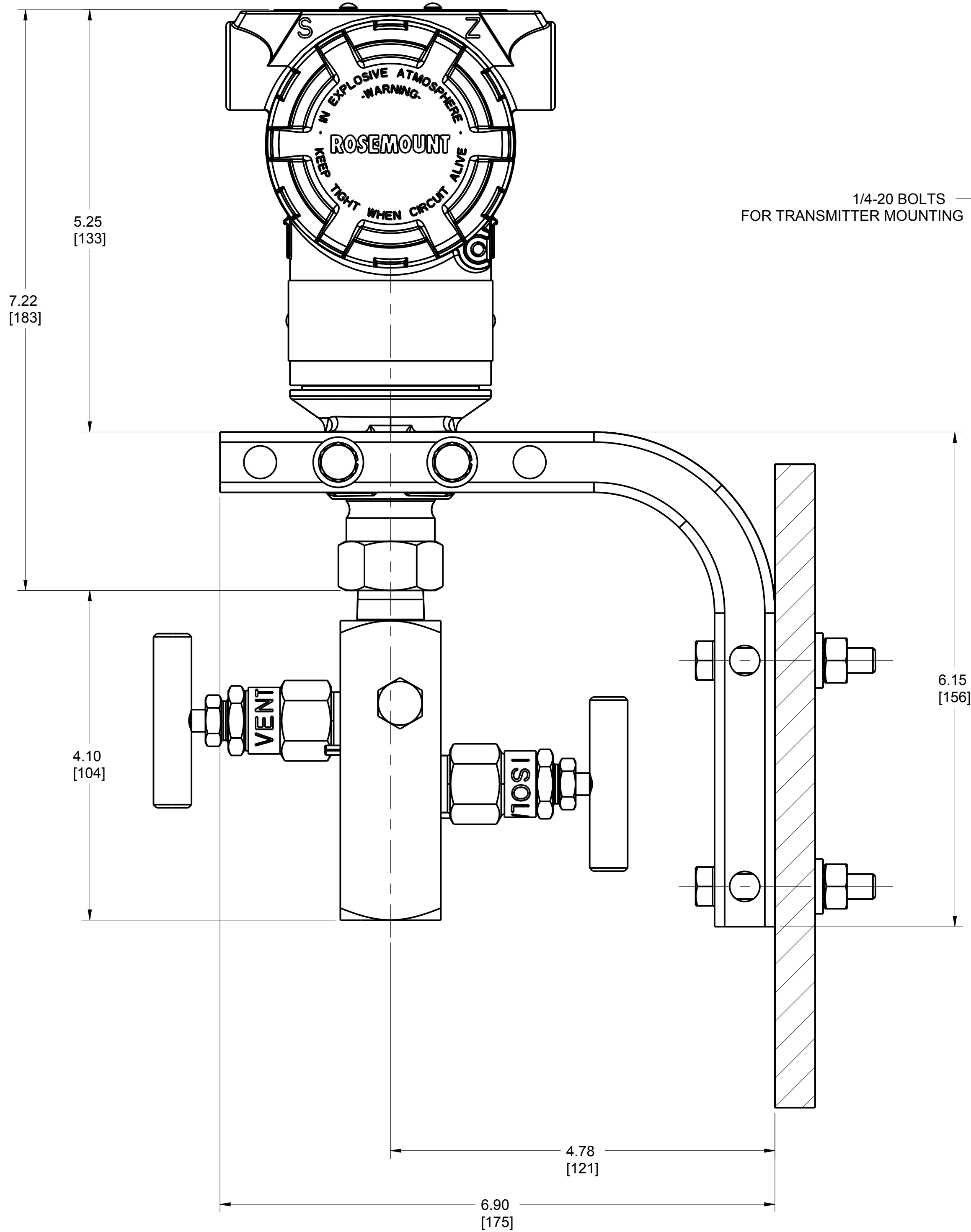
SCALE NTS

CLICK HERE

ROSEMOUNT 3051 IN-LINE PRESSURE TRANSMITTER WITH 306R MANIFOLD  
 IN-LINE MOUNTING CONFIGURATION WITH OPTIONAL MOUNTING BRACKET

PANEL MOUNTING

PIPE MOUNTING



MANIFOLD VALVE ORIENTATION  
 IS NOT CONTROLLED WITH  
 RELATION TO TRANSMITTER HOUSING  
 OR BRACKET MOUNTING HOLES

©2015 ROSEMOUNT INC.  
 ROSEMOUNT INC. CERTIFIES  
 THIS DRAWING IS MADE IN  
 ACCORDANCE WITH  
 ROSEMOUNT ENGINEERING  
 SPECIFICATIONS.  
 UNIT NOTES IN INCHES (mm).  
 REFERENCE ROSEMOUNT  
 PRODUCT SPECIFICATIONS.  
 CLICK HERE

3RD ANGLE

EMERSON

ROSEMOUNT 0306RT MANIFOLD  
 TYPE I DRAWING

DR.	T. STROTH	10/21/15	DRAWING NO.	
APPD	JLA	10/21/15		00306-3007
CAD MAINTAINED, (PROE)				SHEET 5 OF 5