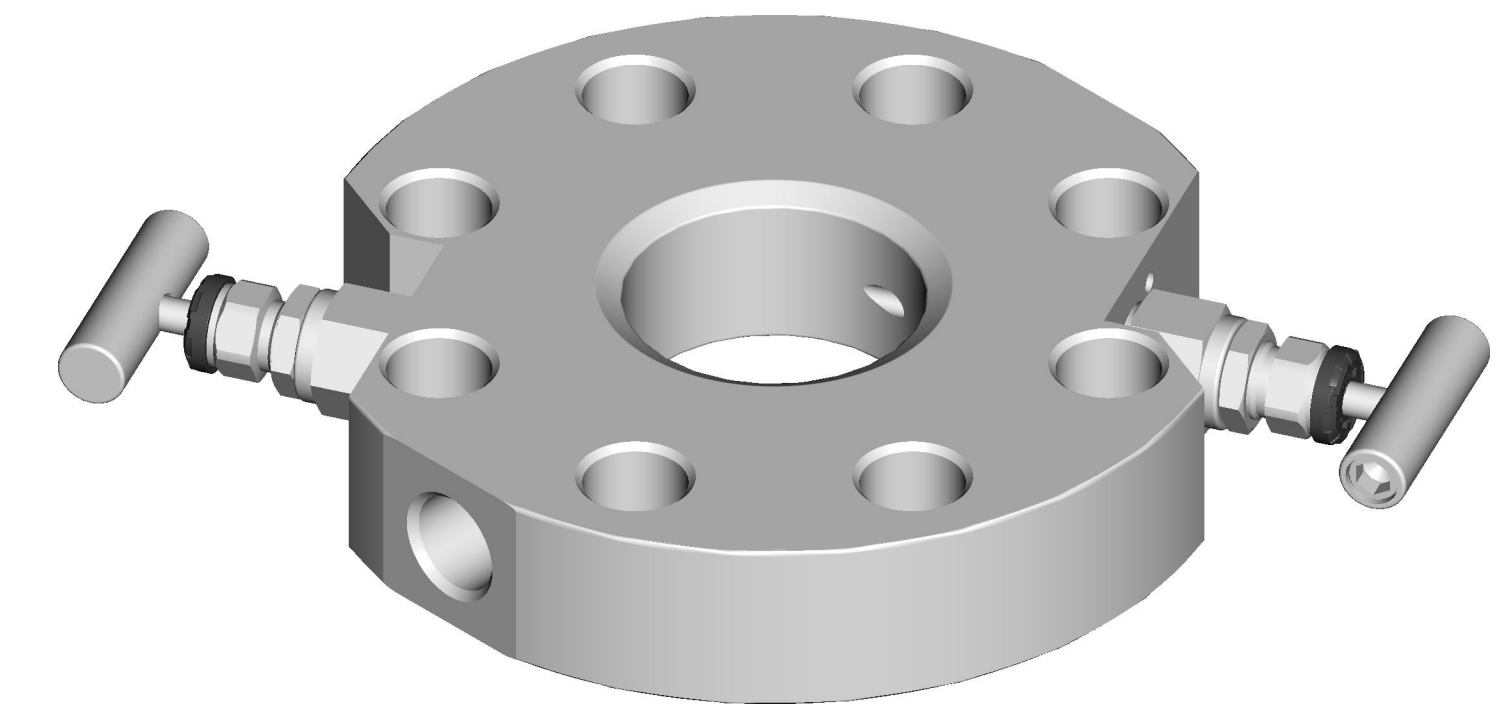
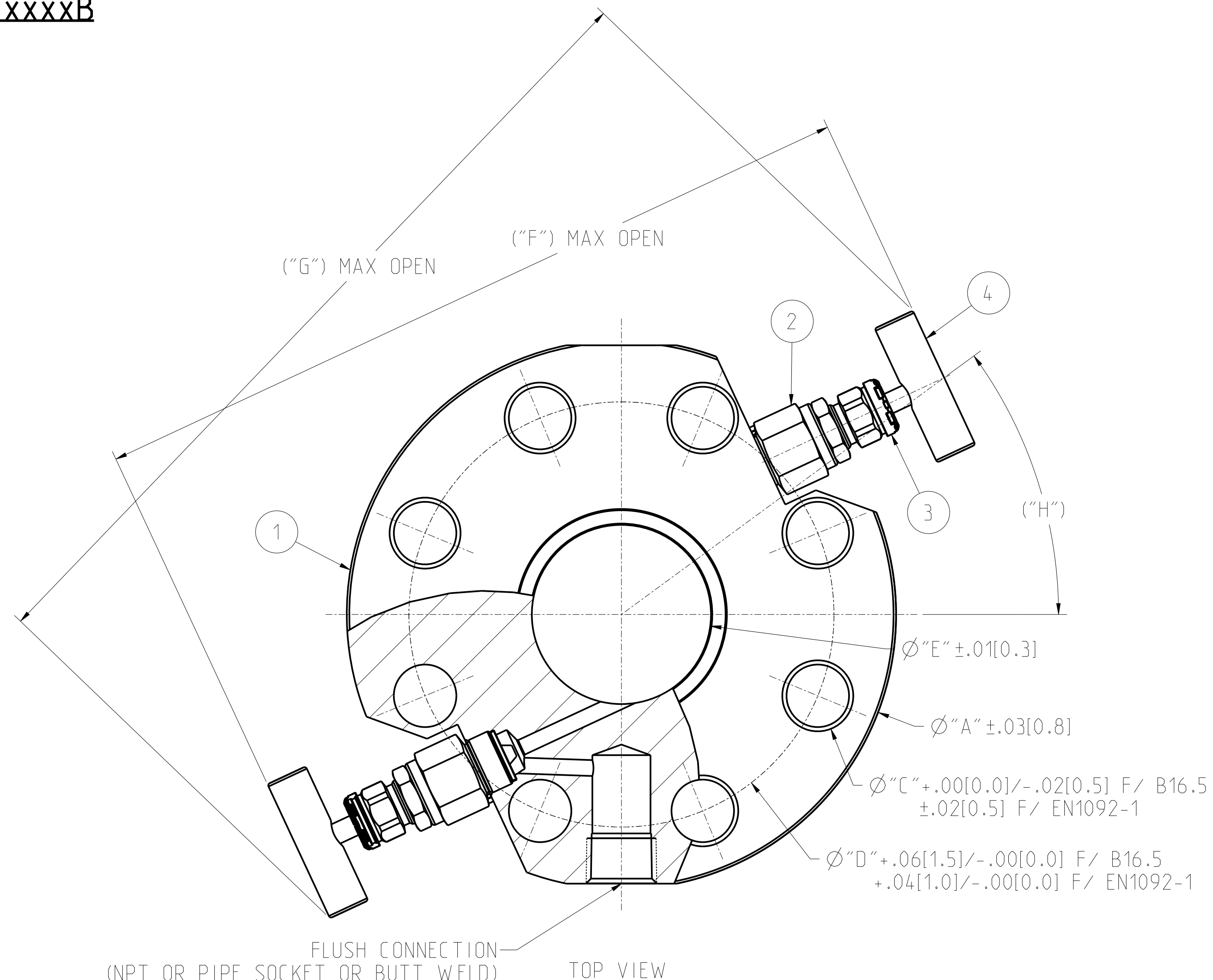


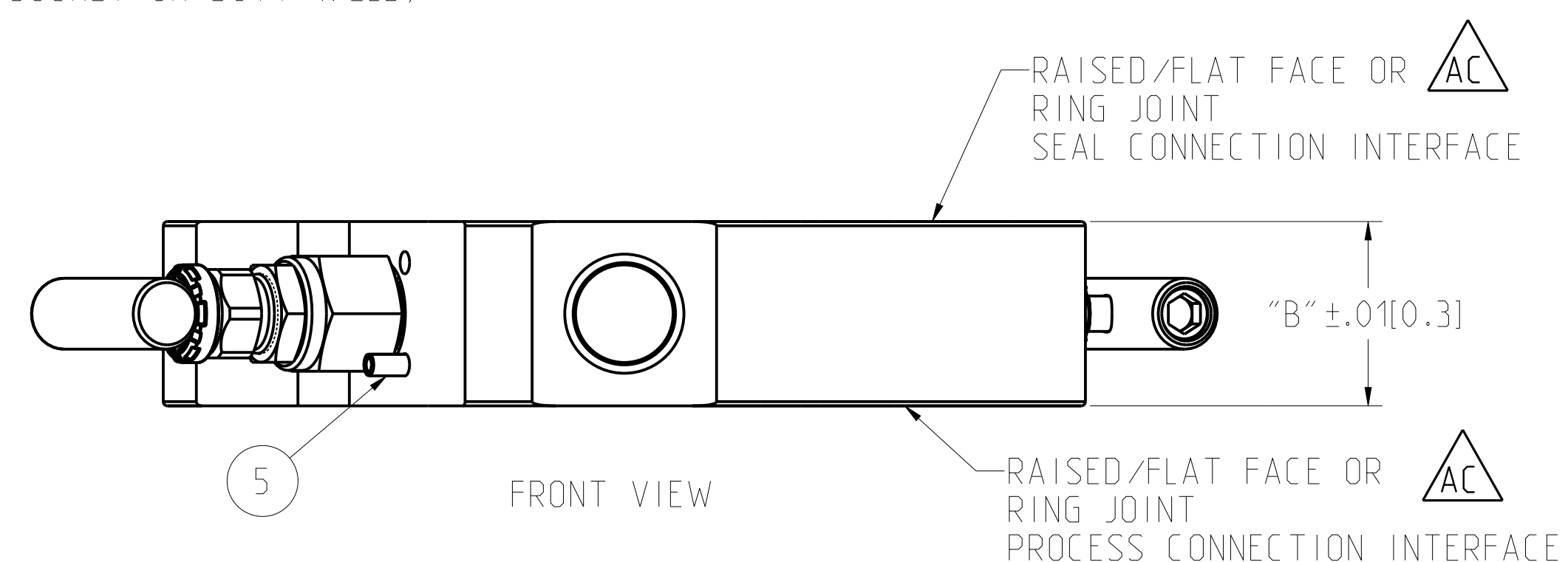
ROSEMOUNT 319 FLUSHING RING WITH VALVES
COMPACT DESIGN W/ FLANGED FLUSH SEAL CONNECTION (BOLT THROUGH DESIGN)
319CxxxxB

REVISION TABLE			
REVISION	ECO NO.	APP'D	DATE
AC	RTC1080157	BB	01-20-23
DESCRIPTION			
FLAT FACE WAS FULL FACE			



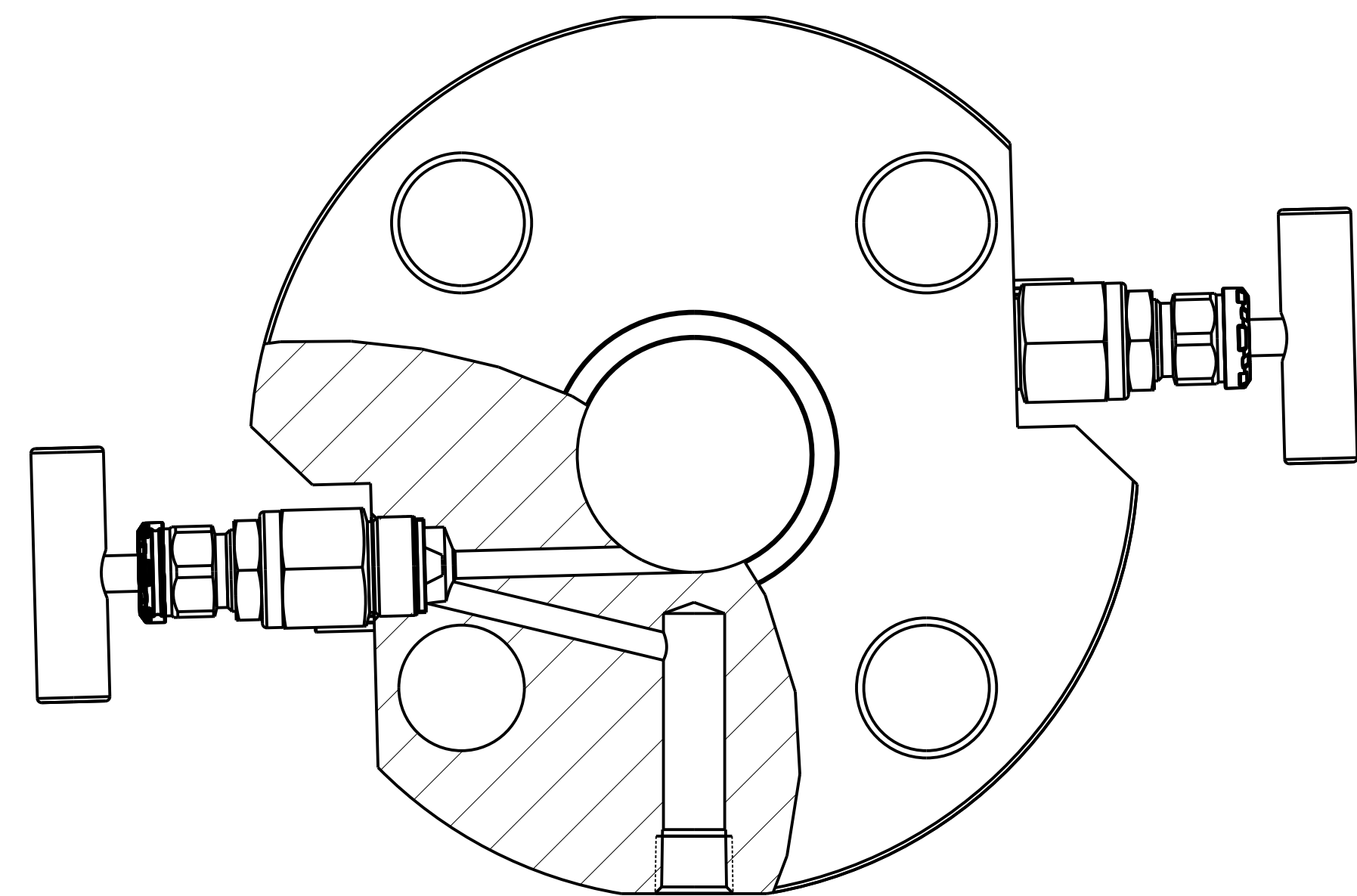
FLUSH CONNECTION
 (NPT OR PIPE SOCKET OR BUTT WELD)

TOP VIEW



FRONT VIEW

BOLT THROUGH ASSEMBLY WITH NEEDLE VALVES
 (8 HOLE)



BOLT THROUGH ASSEMBLY WITH NEEDLE VALVES
 (4 HOLE)

- ABOVE SHOWN WITH DUAL FLUSH CONNECTIONS BUT A SINGLE FLUSH IS ALLOWED
- FLAT FACE DESIGNS ARE COMPATABLE WITH RAISED FACE PROCESS CONNECTIONS
- GASKET SEATING AREA REDUCED WHEN USED WITH FLAT FACE PROCESS FLANGE OR REMOTE SEAL. REFERENCE TABLE 1



CONFIDENTIAL AND PROPRIETARY INFORMATION IS CONTAINED HEREIN AND MUST BE HANDLED ACCORDINGLY.	SURFACE FINISH UNLESS OTHERWISE SPECIFIED	125°	3RD ANGLE	SIZE D	SCALE 1/2	REV AC
ROSEMOUNT						
UNLESS OTHERWISE SPECIFIED DIMENSIONS IN INCHES (MM). REMOVE ALL BURRS AND SHARP EDGES.						
ROSEMOUNT 319 FLUSHING RING WITH VALVES TYPE 1 DRAWING						
EMERSON 8200 Market Boulevard - Chanhassen, MN 55317 USA						
-DEC TOLERANCES						
.X ± .1 [0.3]						
.XX ± 0.01 [0.13]						
.XXX ± 0.005 [0.050]						
FRACTIONS ± 1/32						
ANGLES ± 1.0°						
DR. L.HUIXIA	10-20-22	DRAWING NO.		00319-1010		
APP'D B.BECKER	01-20-23	DOC TYPE		SHEET 1 OF 14		

DRAWING NO. 00319-1010

NOMINAL PIPE SIZE	CLASS	Ø "A"	Ø"C"	Ø"D"	Ø"E"	("F")	("G")	("H")
1"	150#	4.25[108.0]	0.625[15.88]	3.12[79.3]	0.82[20.8]	8.62[218.9]	8.94[227.1]	5.2°
	300/600#	4.88[124.0]	0.750[19.05]	3.50[88.9]		9.09[230.9]	9.39[238.5]	7.0°
	900/1500#	5.88[149.4]	1.000[25.40]	4.00[101.6]		9.14[232.2]	9.45[240.0]	8.9°
	2500#	6.25[158.8]	1.000[25.40]	4.25[108.0]		9.69[246.1]	9.98[253.5]	9.2°
1-1/2"	150#	5.00[127.0]	0.625[15.88]	3.88[98.6]	1.61[40.9]	8.83[224.3]	9.34[237.2]	9.5°
	300/600#	6.12[155.5]	0.875[22.23]	4.50[114.3]		9.14[232.2]	9.68[245.9]	10.3°
	900/1500#	7.00[177.8]	1.125[28.58]	4.88[123.9]		9.90[251.5]	10.36[263.1]	9.0°
	2500#	8.00[203.2]	1.250[31.75]	5.75[146.1]		11.08[281.4]	11.52[292.6]	10.8°
2"	150#	6.00[152.4]	0.750[19.05]	4.75[120.7]	2.12[53.8]	9.04[229.6]	9.71[246.6]	12.3°
	300/600#	6.50[165.1]	0.750[19.05]	5.00[127.0]		9.29[236.0]	9.96[253.0]	36.3°
	900/1500#	8.50[215.9]	1.000[25.40]	6.50[165.1]		11.68[296.7]	12.21[310.1]	34.8°
	2500#	9.25[235.0]	1.125[28.58]	6.75[171.5]		11.40[289.6]	11.97[304.0]	37.8°
3"	150#	7.50[190.5]	0.750[19.05]	6.00[152.4]	3.60[91.4]	10.57[268.5]	11.30[287.0]	18.9°
	300/600#	8.25[209.6]	0.875[22.23]	6.62[168.2]		10.23[259.8]	11.45[290.8]	32.9°
	900#	9.50[241.3]	1.000[25.40]	7.50[190.5]		11.11[282.2]	12.23[310.6]	34.3°
	1500#	10.50[266.7]	1.250[31.75]	8.00[203.2]		13.56[344.4]	14.50[368.3]	28.2°
4"	150#	9.00[228.6]	0.750[19.05]	7.50[190.5]	3.60[91.4]	11.87[301.5]	12.94[328.7]	32.2°
	300#	10.00[254.0]	0.875[22.23]	7.88[200.2]		12.27[311.7]	13.31[338.1]	33.1°
	600#	10.75[273.1]	1.000[25.40]	8.50[215.9]		13.38[339.9]	14.34[364.2]	33.3°
	900#	11.50[292.1]	1.250[31.75]	9.25[235.0]		14.33[364.0]	15.21[386.3]	34.2°
DN25	PN16/PN40	4.53[115.0]	0.55[14.0]	3.35[85.0]	1.56[39.6]	8.40[213.4]	8.85[224.8]	7.9°
	PN63/PN100/PN160	5.51[140.0]	0.71[18.0]	3.94[100.0]		8.98[228.1]	9.39[238.5]	9.9°
DN40	PN06	5.18[130.0]	0.56[14.0]	3.98[100.0]	2.12[53.8]	8.94[227.1]	9.48[240.8]	10.0°
	PN16/PN40	5.91[150.0]	0.71[18.0]	4.33[110.0]		9.01[228.9]	9.55[242.6]	12.0°
DN50	PN63/PN100/PN160	6.69[170.0]	0.87[22.0]	4.92[125.0]	2.40[61.0]	9.68[245.9]	10.19[258.8]	13.3°
	PN06	5.51[140.0]	0.55[14.0]	4.33[110.0]		8.99[228.3]	9.65[245.1]	12.0°
DN80	PN16	6.50[165.0]	0.71[18.0]	4.92[125.0]	3.60[91.4]	9.30[236.2]	9.94[252.5]	14.6°
	PN40	6.50[165.0]	0.71[18.0]	4.92[125.0]		9.30[236.2]	9.94[252.5]	14.6°
	PN63	7.09[180.0]	0.87[22.0]	5.31[135.0]		10.21[259.3]	10.79[274.1]	13.2°
	PN100	7.68[195.0]	1.02[26.0]	5.71[145.0]		10.64[270.3]	11.20[284.5]	13.3°
	PN160	7.68[195.0]	1.02[26.0]	5.71[145.0]		10.64[270.3]	11.20[284.5]	13.3°
	PN06	7.57[190.0]	0.71[18.0]	5.91[150.0]		10.58[268.7]	11.42[290.1]	14.5°
DN100	PN16	7.87[200.0]	0.71[18.0]	6.30[160.0]	3.60[91.4]	9.93[252.2]	11.19[284.2]	33.0°
	PN40	7.87[200.0]	0.71[18.0]	6.30[160.0]		9.93[252.2]	11.19[284.2]	33.0°
	PN63	8.46[215.0]	0.87[22.0]	6.69[170.0]		10.59[269.0]	11.78[299.2]	31.8°
	PN100	9.06[230.0]	1.02[26.0]	7.09[180.0]		11.15[283.2]	12.28[311.9]	32.0°
	PN160	9.06[230.0]	1.02[26.0]	7.09[180.0]		11.15[283.2]	12.28[311.9]	32.0°
	PN06	8.27[210.0]	0.71[18.0]	6.69[170.0]		10.72[272.3]	11.77[299.0]	17.7°
DN160	PN16	8.66[220.0]	0.71[18.0]	7.09[180.0]	3.60[91.4]	11.19[284.2]	12.32[312.9]	31.9°
	PN40	9.25[235.0]	0.87[22.0]	7.48[190.0]		12.05[306.1]	13.11[333.0]	31.8°
	PN63	9.84[250.0]	1.02[26.0]	7.87[200.0]		12.59[319.8]	13.61[345.7]	31.2°
	PN100	10.43[265.0]	1.18[30.0]	8.27[210.0]		12.72[323.1]	13.73[348.7]	33.0°
	PN160	10.43[265.0]	1.18[30.0]	8.27[210.0]		12.72[323.1]	13.73[348.7]	33.0°
	PN06	10.43[265.0]	1.18[30.0]	8.27[210.0]		12.72[323.1]	13.73[348.7]	33.0°

FLUSH CONNECTION TYPE	FLUSH SIZE	"B" FF / TYPE A		"B" RTJ
		150#-1500#	2500#	
ANPT	1/4"	0.97[24.6]	1.04[26.4]	1.72[43.7]
	1/2"	1.30[33.0]	1.45[36.8]	2.05[52.1]
	3/4"	1.50[38.1]	1.70[43.2]	2.25[57.2]
SCH 10-160 SOCKET	1/4"	1.07[27.2]	1.11[28.2]	1.82[46.2]
	1/2"	1.40[35.6]	1.53[38.9]	2.15[54.6]
	3/4"	1.61[40.9]	1.78[45.2]	2.36[59.9]
SCH 10, 40, 80, 160 BUTT WELD	1/4"	0.97[24.6]	0.97[24.6]	1.72[43.7]
	1/2"	0.97[24.6]	0.97[24.6]	1.72[43.7]
	3/4"	1.13[30.0]	1.13[30.0]	1.88[47.8]



TABLE 1. GASKET SEAT AREA REDUCTION FOR FLAT FACE

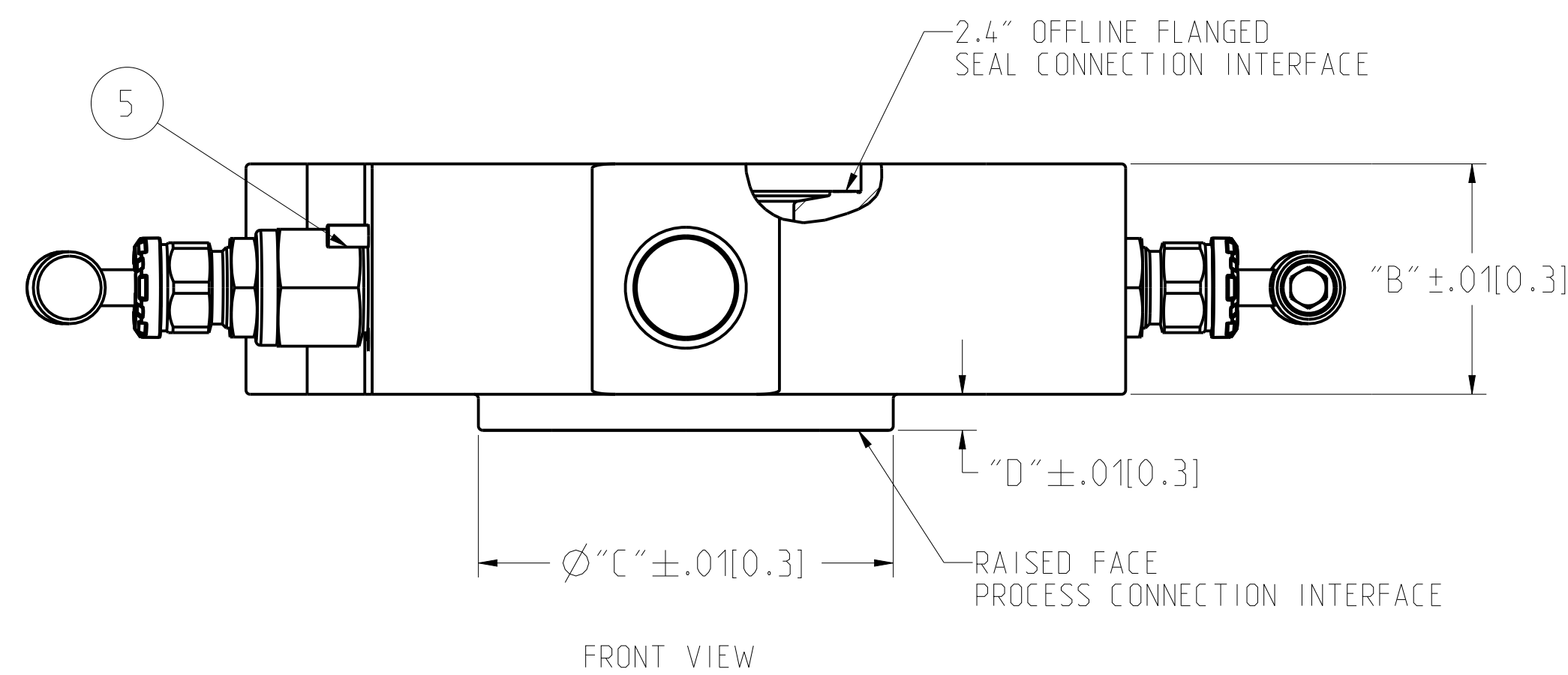
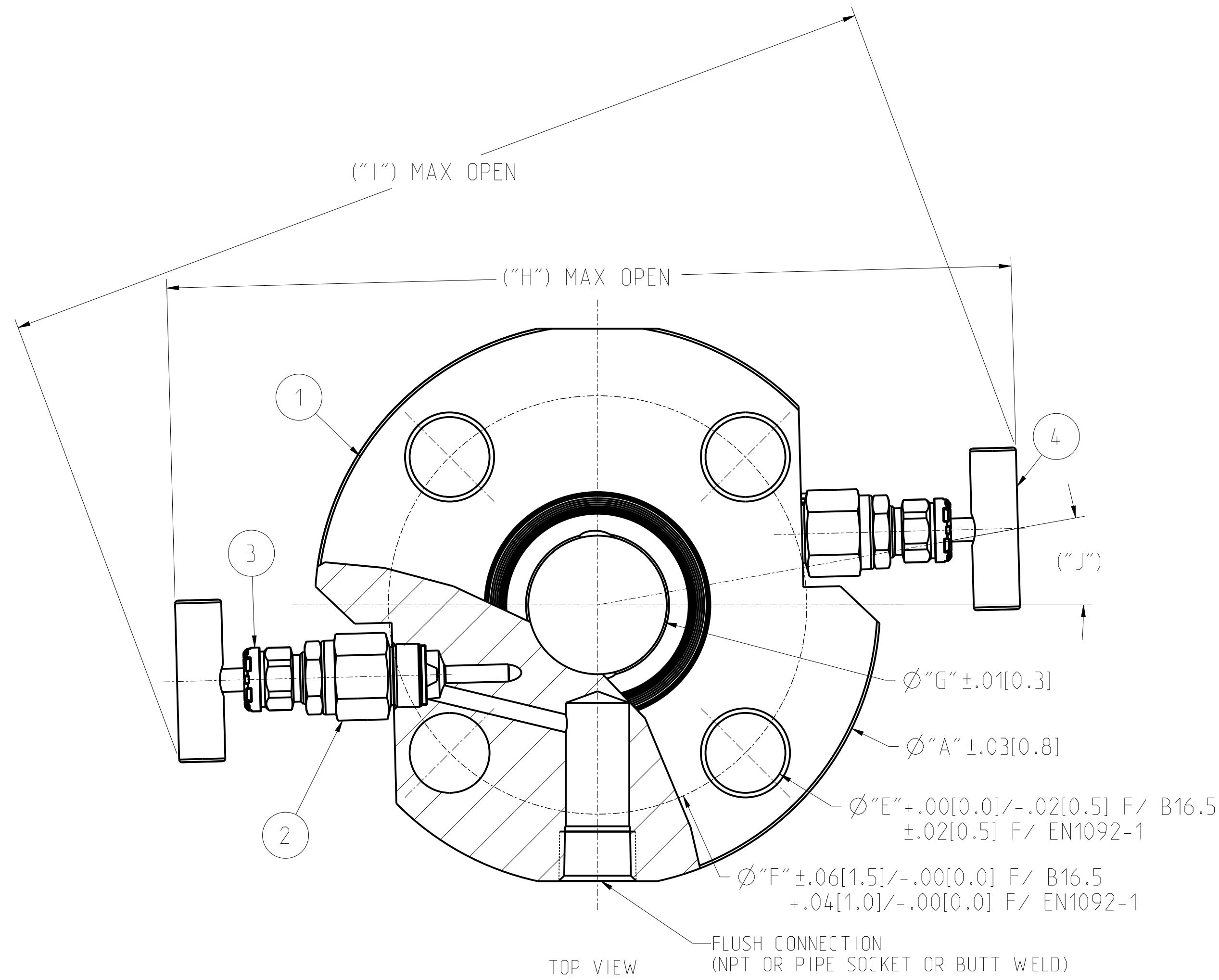
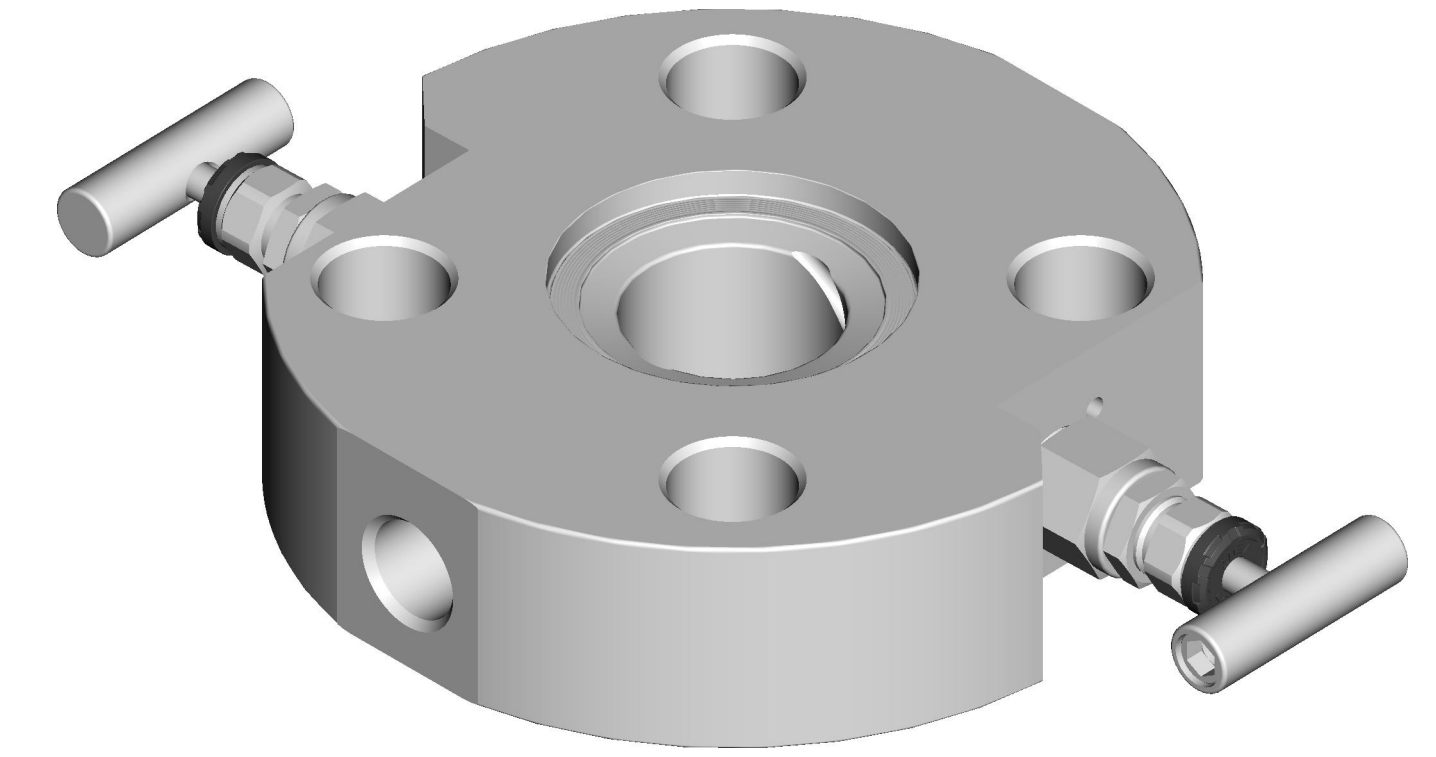
NOMINAL PIPE SIZE	CLASS	% REDUCTION	NOMINAL PIPE SIZE	CLASS	% REDUCTION
1"	150#	24.00%	DN25	PN16	28.50%
	300/600#	23.40%		PN40	28.50%
	900/1500#	28.20%		PN100	25.60%
1-1/2"	2500#	23.90%	PN160	25.60%	
	150#	31.30%	DN40	PN6	31.10%
	300/600#	29.90%		PN16	30.50%
900/1500#	29.10%	PN40		30.50%	
2"	2500#	23.70%	PN100	27.50%	
	150#	33.60%	PN160	27.50%	
	300/600#	37.30%	DN50	PN6	32.30%
900/1500#	26.60%	PN16		29.80%	
2500#	30.00%	PN40		29.80%	
3"	150#	34.50%	DN80	PN63	25.90%
	300/600#	37.80%		PN100	25.40%
	900#	33.00%		PN160	25.50%
4"	1500#	28.00%	DN100	PN6	33.10%
	2500#	23.30%		PN16	37.10%
	150#	27.70%		PN40	37.10%
	300#	26.10%		PN63	35.70%
	600#	23.90%		PN100	34.80%
900#	24.50%	PN160	34.80%		
				PN6	29.50%
				PN16	30.00%
				PN40	28.10%
				PN63	27.90%
				PN100	29.10%
				PN160	29.10%

• DIMENSIONS FOR ASSEMBLY SHOWN ON SHEET 1

CONFIDENTIAL AND PROPRIETARY INFORMATION IS CONTAINED HEREIN AND MUST BE HANDLED ACCORDINGLY.	SURFACE FINISH UNLESS OTHERWISE SPECIFIED	125	3RD ANGLE		SIZE D	SCALE 1/2	REV AC
ROSEMOUNT	ROSEMOUNT						
UNLESS OTHERWISE SPECIFIED DIMENSIONS IN INCHES (mm). REMOVE ALL BURRS AND SHARP EDGES.	EMERSON 8200 Market Boulevard - Chamhassen, MN 55317 USA						
-DEC TOLERANCES- .X ± .1 [0.3] .XX ± 0.01 [0.13] .XXX ± 0.005 [0.050]	TITLE ROSEMOUNT 319 FLUSHING RING WITH VALVES TYPE 1 DRAWING						
FRACTIONS ± 1/32	ANGLES ± 1.0°	DR. L.HUIXIA	10-20-22	DRAWING NO.	00319-1010		
DO NOT SCALE PRINT	CAD MAINTAINED, (PRO/E)	PRODUCT CODE	-	DOC TYPE	- SHEET 2 OF 14		

DRAWING NO. 00319-1010

ROSEMOUNT 319 FLUSHING RING WITH VALVES
 COMPACT DESIGN W/ 2.4" / 4.1" OFFLINE FLANGED SEAL CONNECTION (INSERT BOLT THROUGH DESIGN)
 319CxxxxT, 319CxxxxU



•ABOVE SHOWN WITH DUAL FLUSH CONNECTIONS BUT A SINGLE FLUSH IS ALLOWED

CONFIDENTIAL AND PROPRIETARY INFORMATION IS CONTAINED HEREIN AND MUST BE HANDLED ACCORDINGLY.	SURFACE FINISH UNLESS OTHERWISE SPECIFIED	125°	3RD ANGLE		SIZE D	SCALE 1/2	REV AC
ROSEMOUNT	ROSEMOUNT						
UNLESS OTHERWISE SPECIFIED DIMENSIONS IN INCHES (mm). REMOVE ALL BURRS AND SHARP EDGES.	8200 Market Boulevard - Chamhassen, MN 55317 USA						
-DEC TOLERANCES-	TITLE ROSEMOUNT 319 FLUSHING RING WITH VALVES						
.X ± .1 [0.3]	TYPE 1 DRAWING						
.XX ± 0.01 [0.13]	DR. L.HUIXIA 10-20-22 DRAWING NO.						
.XXX ± 0.005 [0.050]	APP'D B.BECKER 01-20-23 00319-1010						
FRACTIONS ± 1/32	DO NOT SCALE PRINT CAD MAINTAINED, (PRO/E) PRODUCT CODE - DOC TYPE - SHEET 3 OF 14						

DRAWING NO. 00319-1010

2.4" OFFLINE FLANGED SEAL CONNECTION

NOMINAL PIPE SIZE	CLASS	OD. Ø "A"	RF DIA. Ø "C"	RF HEIGHT "D"	BOLT DIA. Ø "E"	BOLT CIRCLE Ø "F"	ID. Ø "G"	("H")	("I")	("J")
1/2"	2500#	5.25[133.4]	1.38[35.1]	0.25[6.4]	0.875[22.2]	3.50[88.9]	0.62[15.7]	8.57[217.6]	8.84[224.5]	8.89°
3/4"	300#	4.62[117.3]	1.69[42.9]	0.06[1.5]	0.750[19.1]	3.25[82.6]	0.82[20.8]	8.28[210.3]	8.61[218.8]	7.85°
3/4"	600#	4.62[117.3]	1.69[42.9]	0.25[6.4]	0.750[19.1]	3.25[82.6]	0.82[20.8]	8.28[210.3]	8.61[218.8]	8.05°
3/4"	900/1500#	5.12[130.0]	1.69[42.9]	0.25[6.4]	0.875[22.2]	3.50[88.9]	0.82[20.8]	8.53[216.6]	8.85[224.9]	8.43°
3/4"	2500#	5.50[139.7]	1.69[42.9]	0.25[6.4]	0.875[22.2]	3.75[95.3]	0.82[20.8]	8.74[222.0]	9.06[230.1]	9.64°
1"	150#	4.25[108.0]	2.00[50.8]	0.06[1.5]	0.625[15.9]	3.12[79.2]	1.05[26.7]	8.62[218.9]	8.94[227.1]	5.19°
1"	300#	4.88[124.0]	2.00[50.8]	0.06[1.5]	0.750[19.1]	3.50[88.9]	1.05[26.7]	9.09[230.8]	9.39[238.6]	6.97°
1"	600#	4.88[124.0]	2.00[50.8]	0.25[6.4]	0.750[19.1]	3.50[88.9]	1.05[26.7]	9.09[230.8]	9.39[238.6]	6.97°
1"	900/1500#	5.88[149.4]	2.00[50.8]	0.25[6.4]	1.000[25.4]	4.00[101.6]	1.05[26.7]	9.14[232.3]	9.45[240.0]	8.95°
1"	2500#	6.25[158.8]	2.00[50.8]	0.25[6.4]	1.000[25.4]	4.25[108.0]	1.05[26.7]	9.69[246.1]	9.98[253.4]	9.23°
1-1/2"	150#	5.00[127.0]	2.88[73.2]	0.06[1.5]	0.625[15.9]	3.88[98.6]	1.50[38.1]	8.83[224.2]	9.34[237.3]	9.45°
1-1/2"	300#	6.12[155.4]	2.88[73.2]	0.06[1.5]	0.875[22.2]	4.50[114.3]	1.61[40.9]	9.14[232.3]	9.68[245.8]	10.33°
1-1/2"	600#	6.12[155.4]	2.88[73.2]	0.25[6.4]	0.875[22.2]	4.50[114.3]	1.61[40.9]	9.14[232.3]	9.68[245.8]	10.33°
1-1/2"	900/1500#	7.00[177.8]	2.88[73.2]	0.25[6.4]	1.125[28.6]	4.88[124.0]	1.50[38.1]	9.90[251.4]	10.36[263.1]	9.04°
1-1/2"	2500#	8.00[203.2]	2.88[73.2]	0.25[6.4]	1.250[31.8]	5.75[146.1]	1.61[40.9]	11.08[281.4]	11.52[292.7]	10.79°
DN20	PN63/PN100/PN160	5.12[130.0]	2.28[58.0]	0.079[2.0]	0.709[18.0]	3.54[90.0]	0.88[22.4]	8.48[215.3]	8.82[224.1]	11.67°
DN25	PN16/PN25/PN40	4.53[115.1]	2.68[68.0]	0.079[2.0]	0.551[14.0]	3.35[85.1]	1.20[30.5]	8.22[208.7]	8.67[220.2]	8.02°
DN25	PN63/PN100/PN160	5.51[140.0]	2.68[68.0]	0.079[2.0]	0.709[18.0]	3.94[100.1]	1.20[30.5]	8.98[228.1]	9.40[238.6]	9.93°
DN40	PN06	5.12[130.0]	3.15[80.0]	0.118[3.0]	0.551[14.0]	3.94[100.1]	1.50[38.1]	8.92[226.5]	9.43[239.4]	10.37°
DN40	PN16/PN25/PN40	5.91[150.1]	3.47[88.0]	0.118[3.0]	0.709[18.0]	4.33[110.0]	1.61[40.9]	9.01[228.9]	9.55[242.6]	11.95°
DN40	PN63/PN100/PN160	6.69[169.9]	3.47[88.0]	0.118[3.0]	0.866[22.0]	4.92[125.0]	1.61[40.9]	9.68[245.9]	10.19[258.8]	13.34°

FLUSH CONNECTION TYPE	FLUSH SIZE	THK. "B"
ANPT	1/4"	1.24[31.5]
	1/2"	1.60[40.6]
SCH 10-160 SOCKET	1/4"	1.24[31.5]
	1/2"	1.60[40.6]
SCH 10, 40, 80, 160 BUTT WELD	1/4"	1.25[31.8]
	1/2"	1.67[42.4]

• DIMENSIONS FOR ASSEMBLY SHOWN ON SHEET 3

4.1" OFFLINE FLANGED SEAL CONNECTION

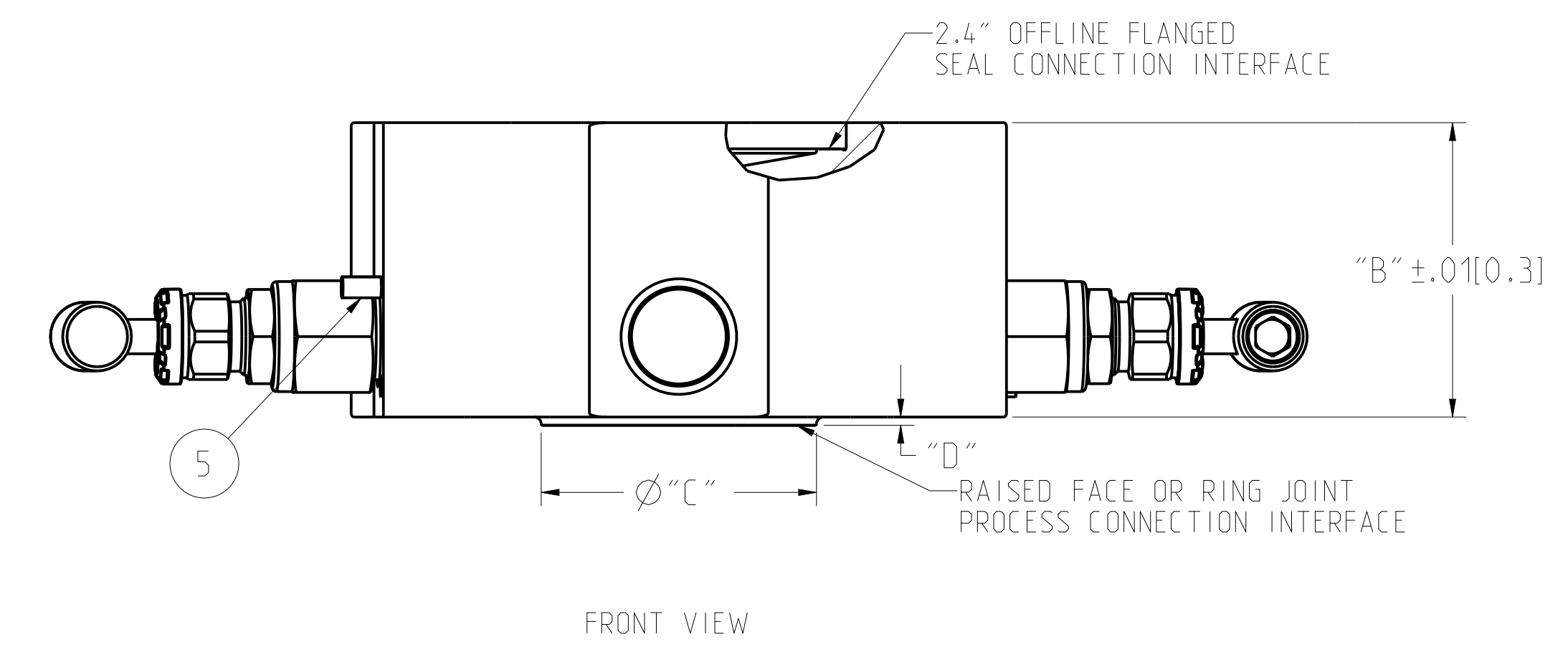
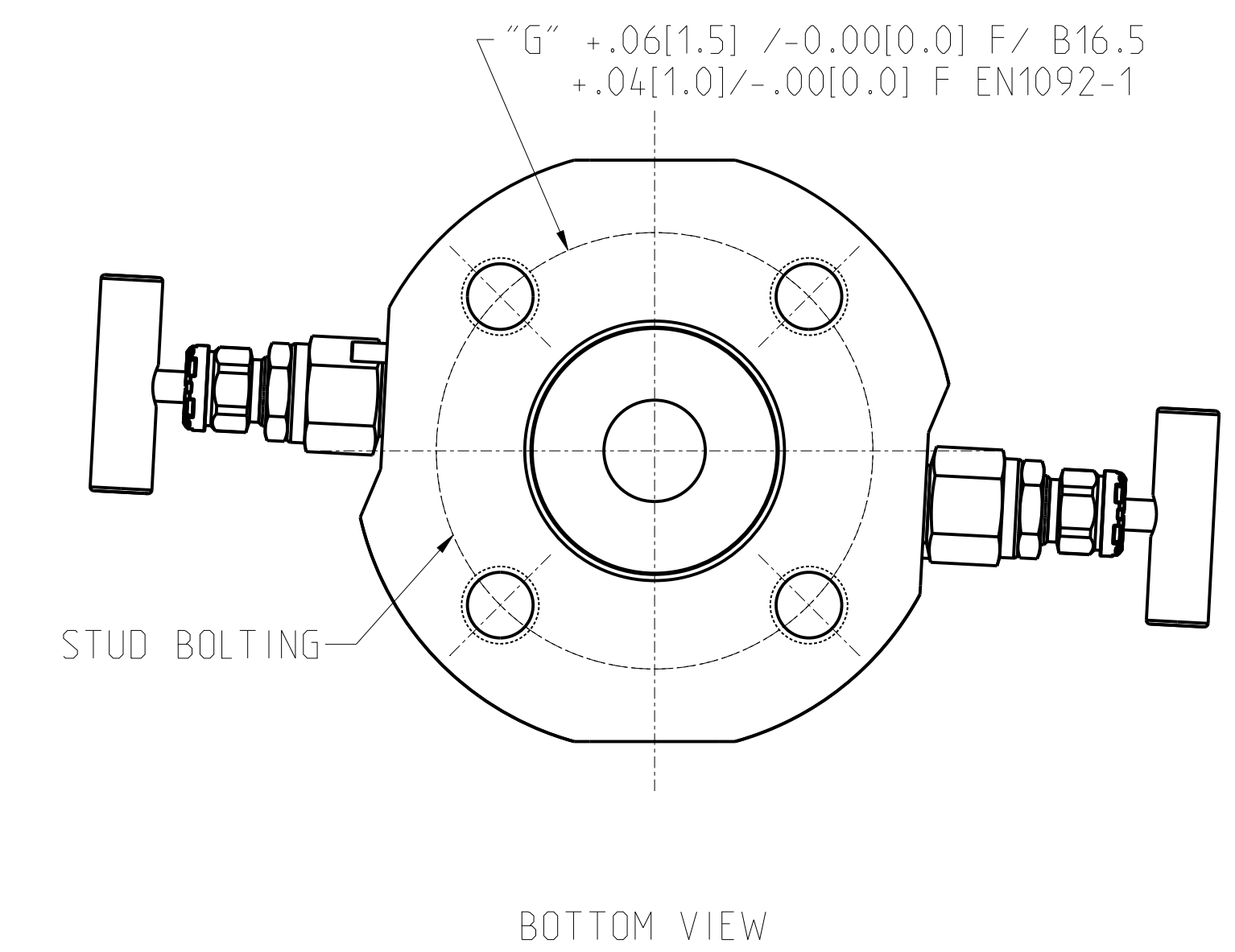
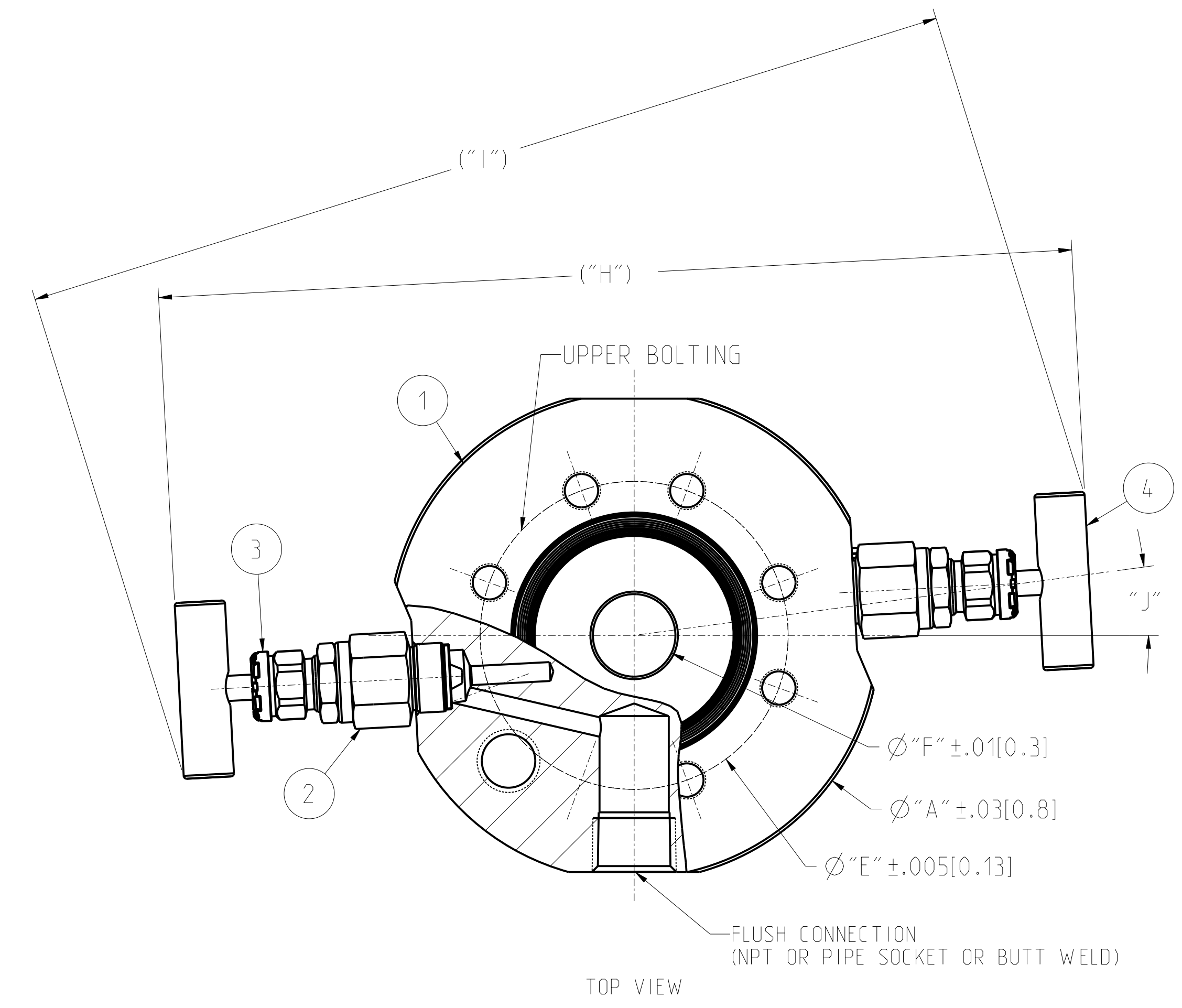
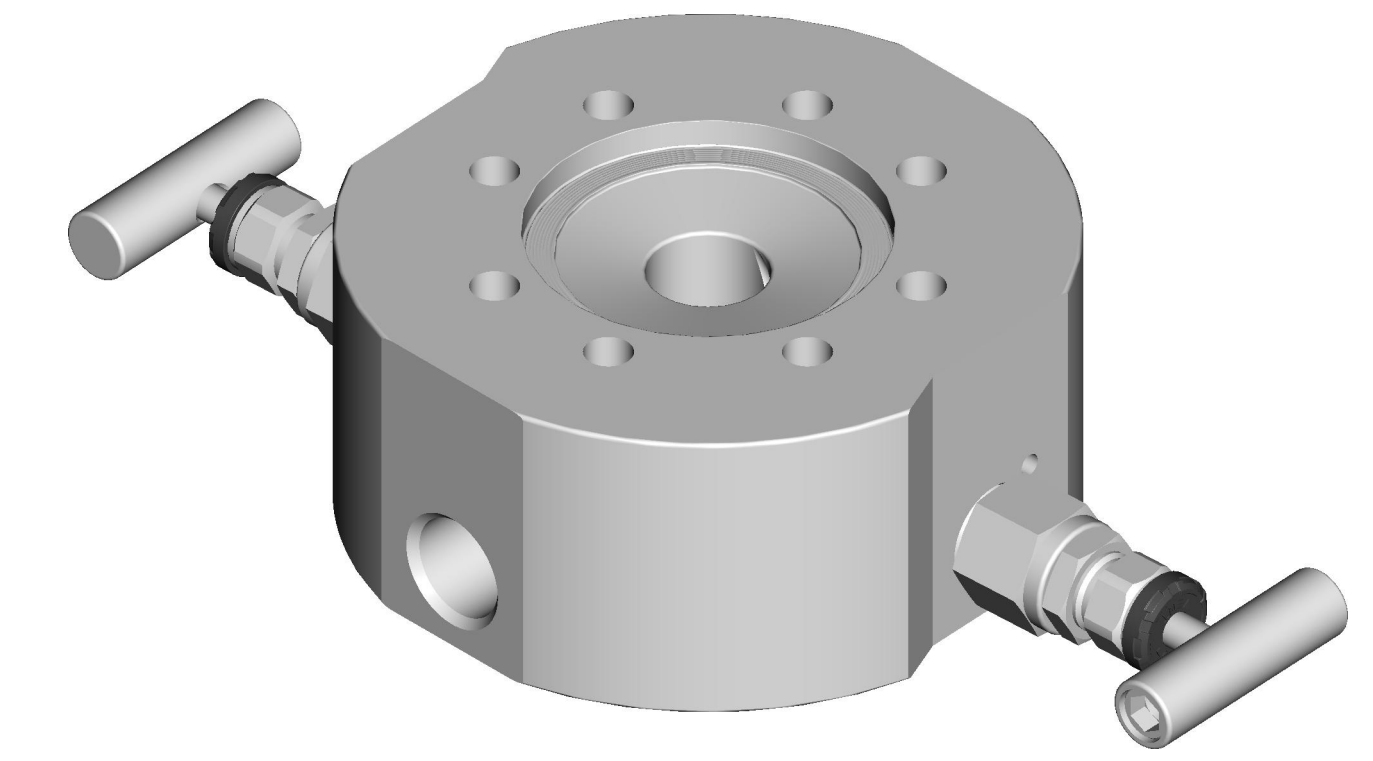
NOMINAL PIPE SIZE	CLASS	OD. Ø "A"	THICKNESS "B" (EXCLUDES RAISED FACE)		RF DIA. Ø "C"	RF HEIGHT "D"	BOLT DIA. Ø "E"	BOLT CIRCLE Ø "F"	ID. Ø "G"	("H")	("I")	("J")
			1/4 FLUSH	1/2 FLUSH								
2"	300#	6.50[165.1]	0.98[24.9]	1.22[31.0]	3.62[91.9]	0.06[1.5]	0.75[19.1]	5.00[127.0]	2.12[53.8]	9.30[236.3]	9.97[253.1]	36.25°
2"	600#	6.50[165.1]	0.98[24.9]	1.22[31.0]		0.25[6.4]	0.75[19.1]	5.00[127.0]		9.30[236.3]	9.97[253.1]	36.25°
2"	900#	8.50[215.9]	1.00[25.4]	1.30[33.0]		1.00[25.4]	6.50[165.1]	10.69[270.0]		12.22[310.3]	34.84°	
3"	150#	7.50[190.5]	0.98[24.9]	1.19[30.2]	5.00[127.0]	0.06[1.5]	0.75[19.1]	6.00[152.4]	2.43[61.7]	10.59[268.9]	11.30[287.1]	17.92°
3"	300#	8.25[209.6]	0.98[24.9]	1.20[30.5]		0.88[22.2]	6.62[168.1]	10.24[260.1]		11.45[290.9]	32.90°	
3"	600#	8.25[209.6]	0.98[24.9]	1.20[30.5]		0.25[6.4]	0.88[22.2]	6.62[168.1]		10.24[260.1]	11.45[290.9]	32.90°
DN50	PN16/PN40	6.50[165.1]	1.02[25.9]	1.24[31.5]	4.02[102.0]	0.71[18.0]	4.92[125.0]	1.93[49.0]	9.32[236.6]	9.94[252.4]	14.58°	
DN50	PN63	7.09[180.1]	1.02[25.9]	1.25[31.8]		0.87[22.0]	5.31[135.0]	10.23[259.8]	10.80[274.2]	13.15°		
DN50	PN100/PN160	7.68[195.0]	1.02[25.9]	1.30[33.0]		1.02[26.0]	5.71[145.0]	10.66[270.7]	11.21[284.6]	13.28°		
DN80	PN16/PN40	7.87[199.9]	0.98[24.9]	1.14[29.0]	5.43[138.0]	0.71[18.0]	6.30[160.0]	3.60[91.4]	9.94[252.5]	11.19[284.1]	32.93°	
DN80	PN63	8.46[214.9]	0.98[24.9]	1.20[30.5]		0.87[22.0]	6.69[170.0]	10.61[269.4]	11.78[299.3]	31.82°		

• DIMENSIONS FOR ASSEMBLY SHOWN ON SHEET 3

DRAWING NO. 00319-1010

CONFIDENTIAL AND PROPRIETARY INFORMATION IS CONTAINED HEREIN AND MUST BE HANDLED ACCORDINGLY.	SURFACE FINISH UNLESS OTHERWISE SPECIFIED	125°	3RD ANGLE		SIZE D	SCALE 1/2	REV AC
ROSEMOUNT	ROSEMOUNT						
UNLESS OTHERWISE SPECIFIED DIMENSIONS IN INCHES (mm). REMOVE ALL BURRS AND SHARP EDGES.	EMERSON 8200 Market Boulevard - Chamhassen, MN 55317 USA						
-DEC TOLERANCES- .X ± .1 (0.3) .XX ± 0.01 (0.13) .XXX ± 0.005 (0.050)	TITLE ROSEMOUNT 319 FLUSHING RING WITH VALVES						
FRACTIONS ± 1/32	TYPE 1 DRAWING						
ANGLES ± 1.0°	DR. L.HUIXIA	10-20-22	DRAWING NO.				
	APP'D B.BECKER	01-20-23	00319-1010				
DO NOT SCALE PRINT	CAD MAINTAINED, (PRO/E)	PRODUCT CODE	- DOC TYPE - SHEET 4 OF 14				

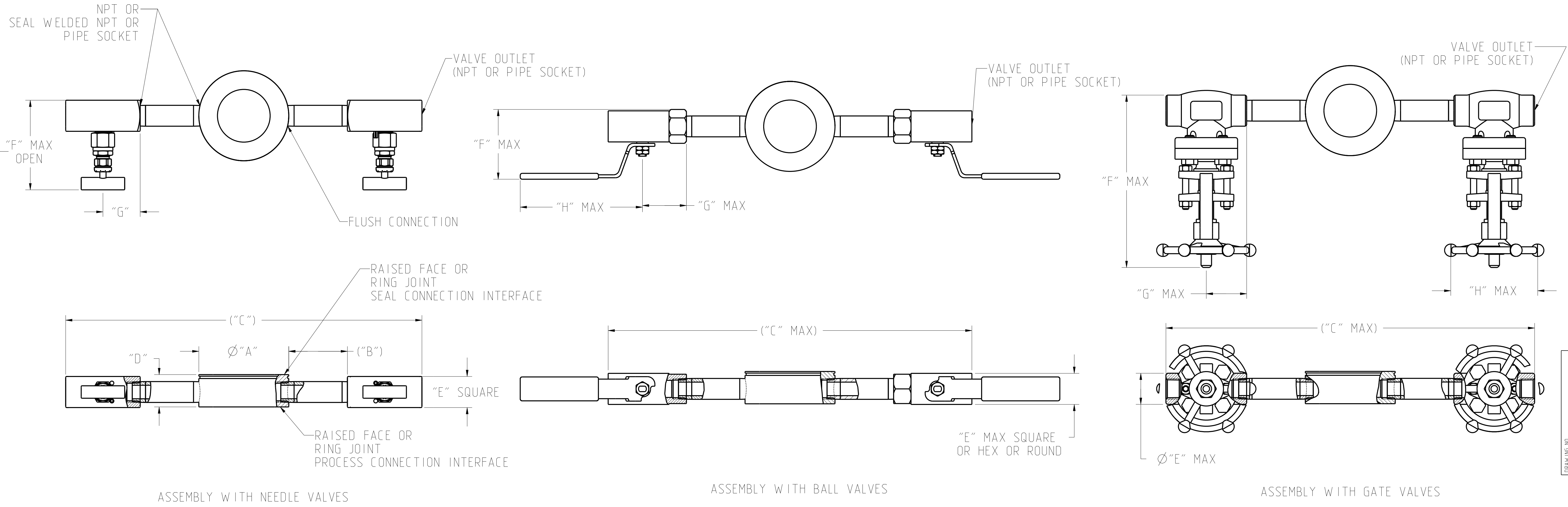
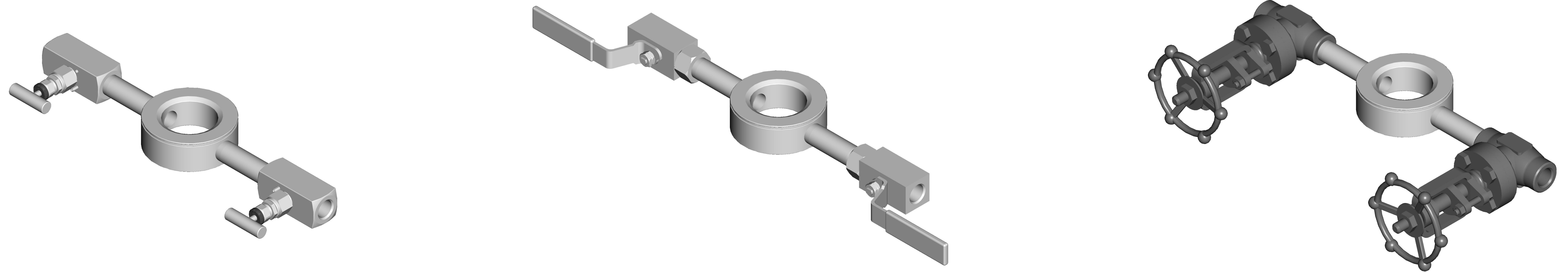
ROSEMOUNT 319 FLUSHING RING WITH VALVES
 COMPACT DESIGN W/ 2.4" / 4.1" OFFLINE FLANGED SEAL CONNECTION (STUD BOLTED DESIGN)
 319CxxxxS, 319CxxxxN



CONFIDENTIAL AND PROPRIETARY INFORMATION IS CONTAINED HEREIN AND MUST BE HANDLED ACCORDINGLY.	SURFACE FINISH UNLESS OTHERWISE SPECIFIED	125°	3RD ANGLE	SIZE D	SCALE 1/2	REV AC
ROSEMOUNT	ROSEMOUNT					
UNLESS OTHERWISE SPECIFIED DIMENSIONS IN INCHES (MM). REMOVE ALL BURRS AND SHARP EDGES.	EMERSON 8200 Market Boulevard - Chamassan, MN 55317 USA					
-DEC TOLERANCES-	TITLE ROSEMOUNT 319 FLUSHING RING WITH VALVES					
.X ± 0.1 [0.3]	TYPE 1 DRAWING					
.XX ± 0.01 [0.13]	DR. L.HUIXIA 10-20-22 DRAWING NO.					
.XXX ± 0.005 [0.050]	APP'D B.BECKER 01-20-23					
FRACTIONS $\pm 1/32$	00319-1010					
ANGLES $\pm 1.0^\circ$	DO NOT SCALE PRINT CAD MAINTAINED, (PRO/E) PRODUCT CODE - DOC TYPE - SHEET 5 OF 14					

DRAWING NO. 00319-1010

ROSEMOUNT 319 FLUSHING RING WITH VALVES
 TRADITIONAL DESIGN W/ FLANGED FLUSH SEAL CONNECTION (INSERT DESIGN)
 319TxxxxE



ASSEMBLY WITH NEEDLE VALVES

ASSEMBLY WITH BALL VALVES

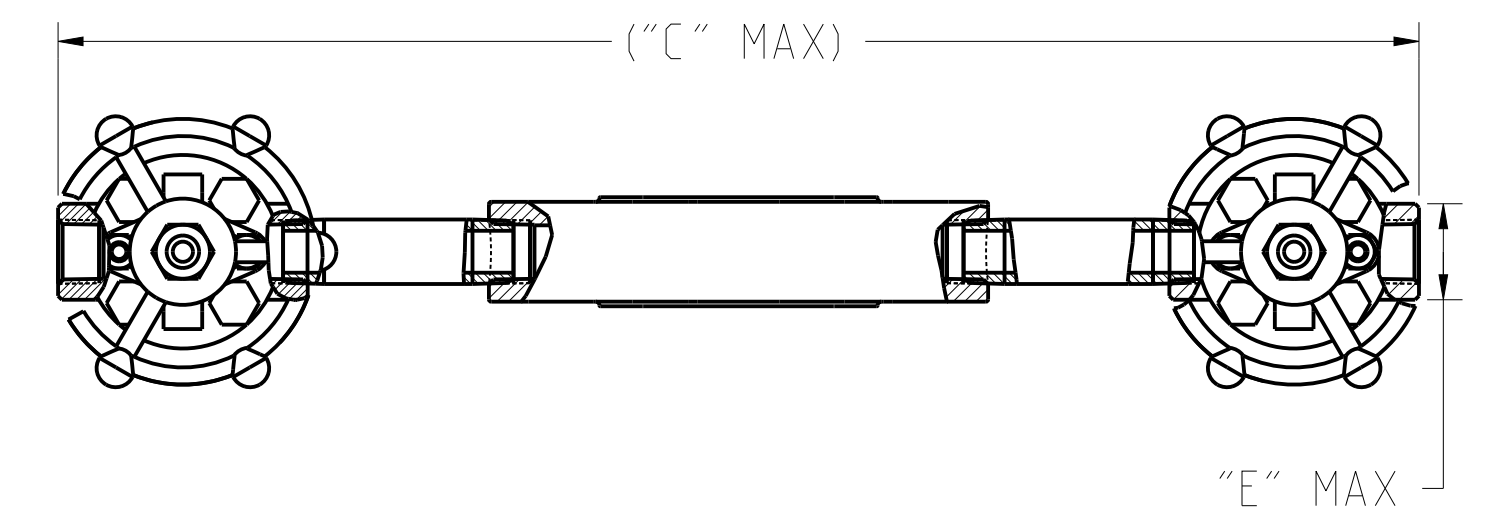
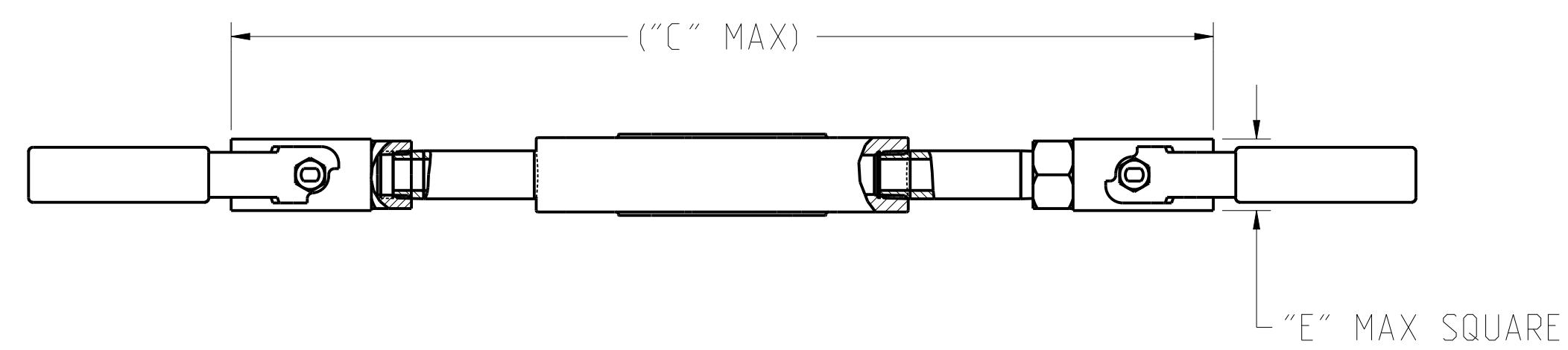
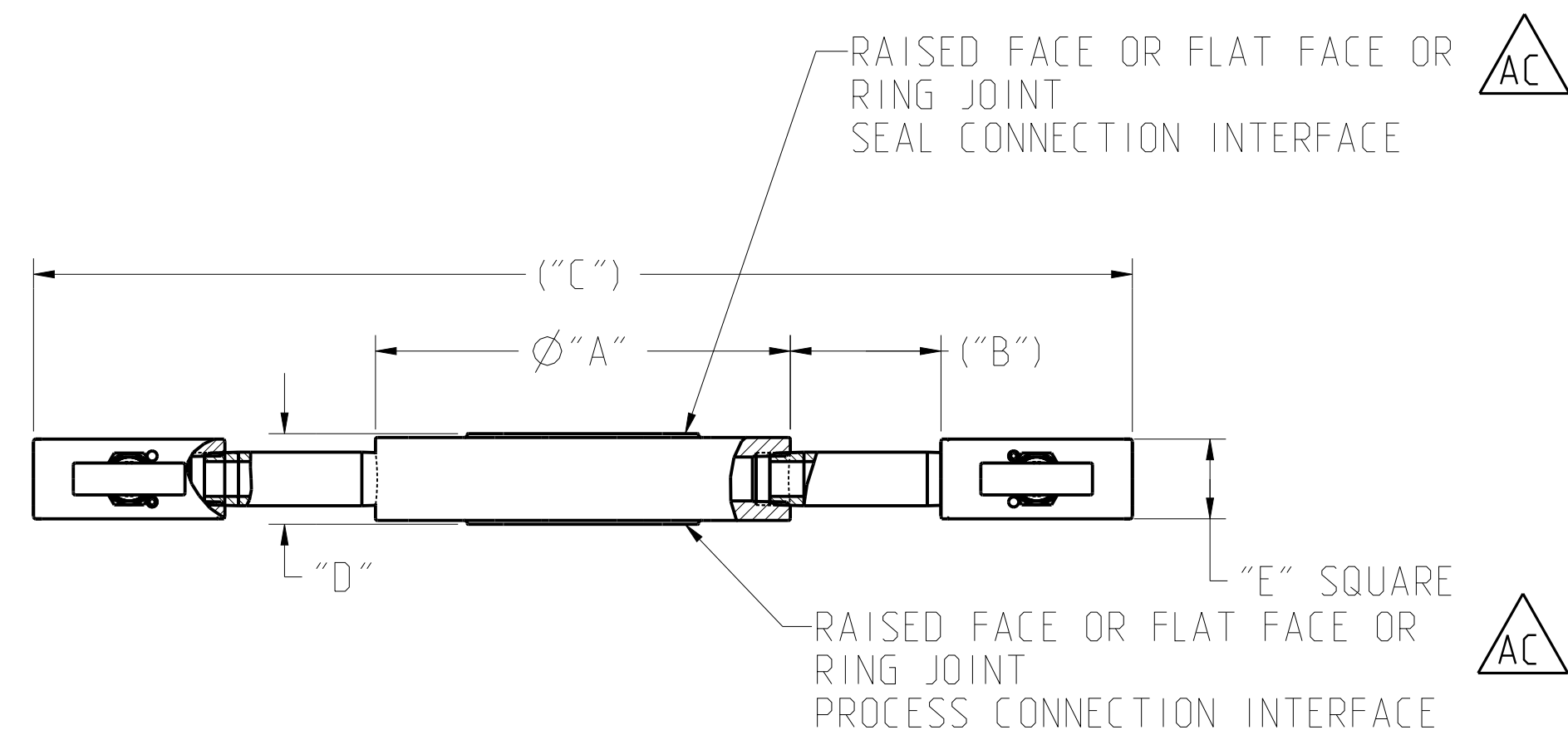
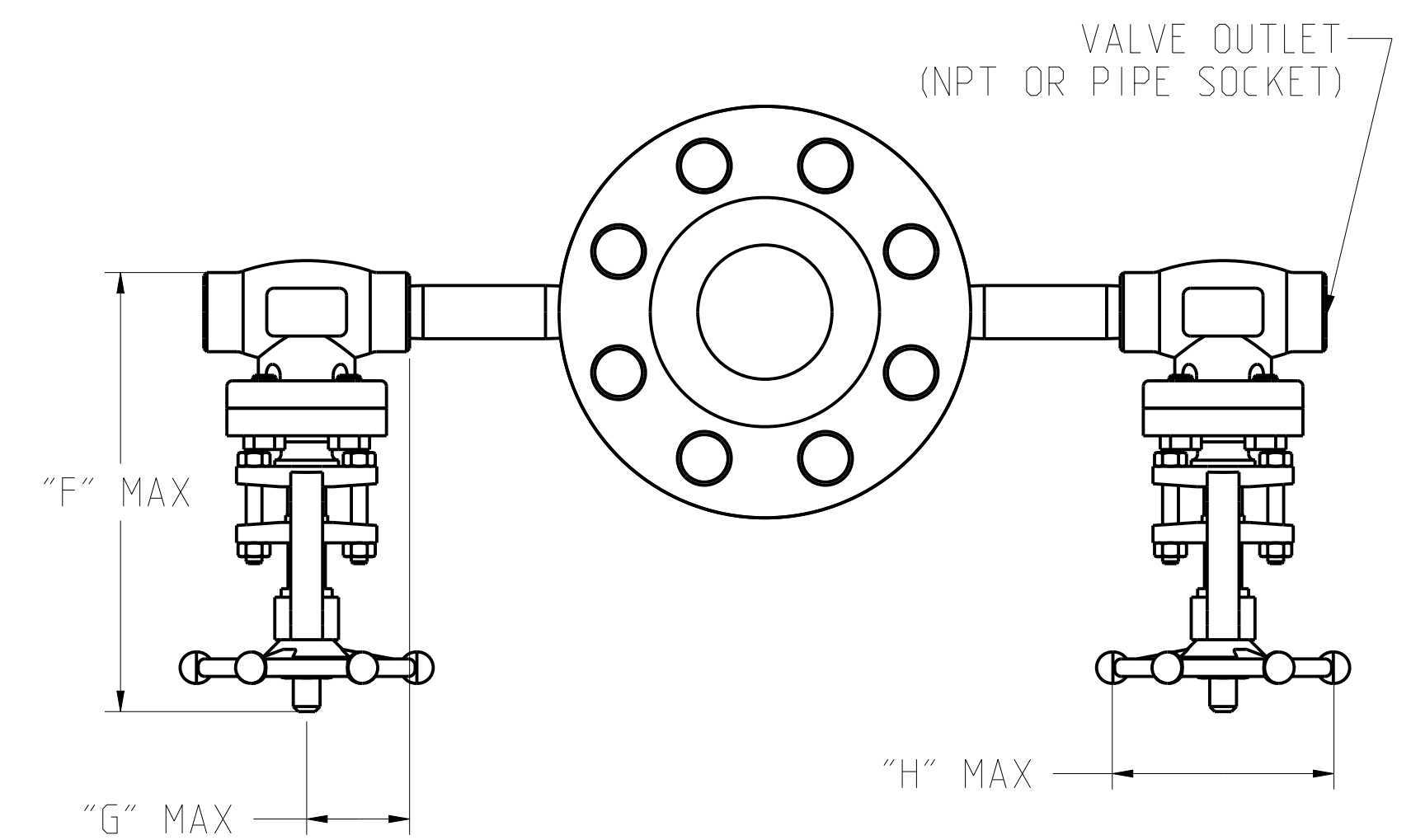
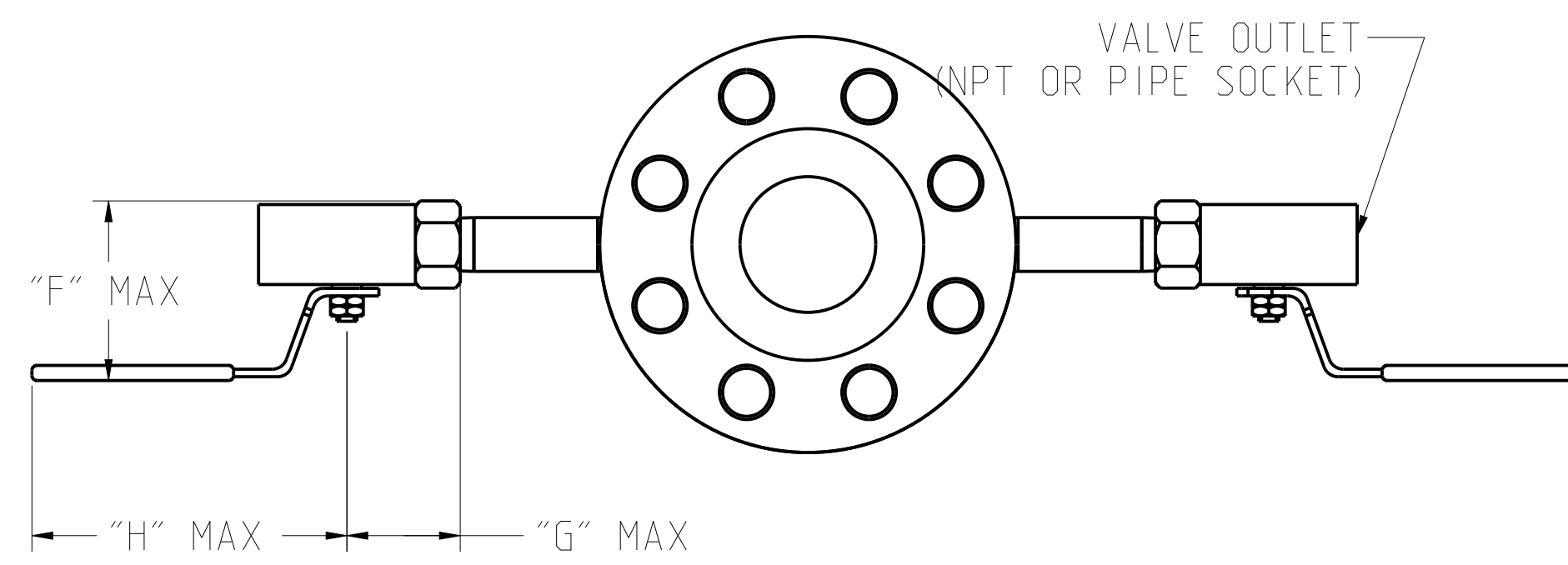
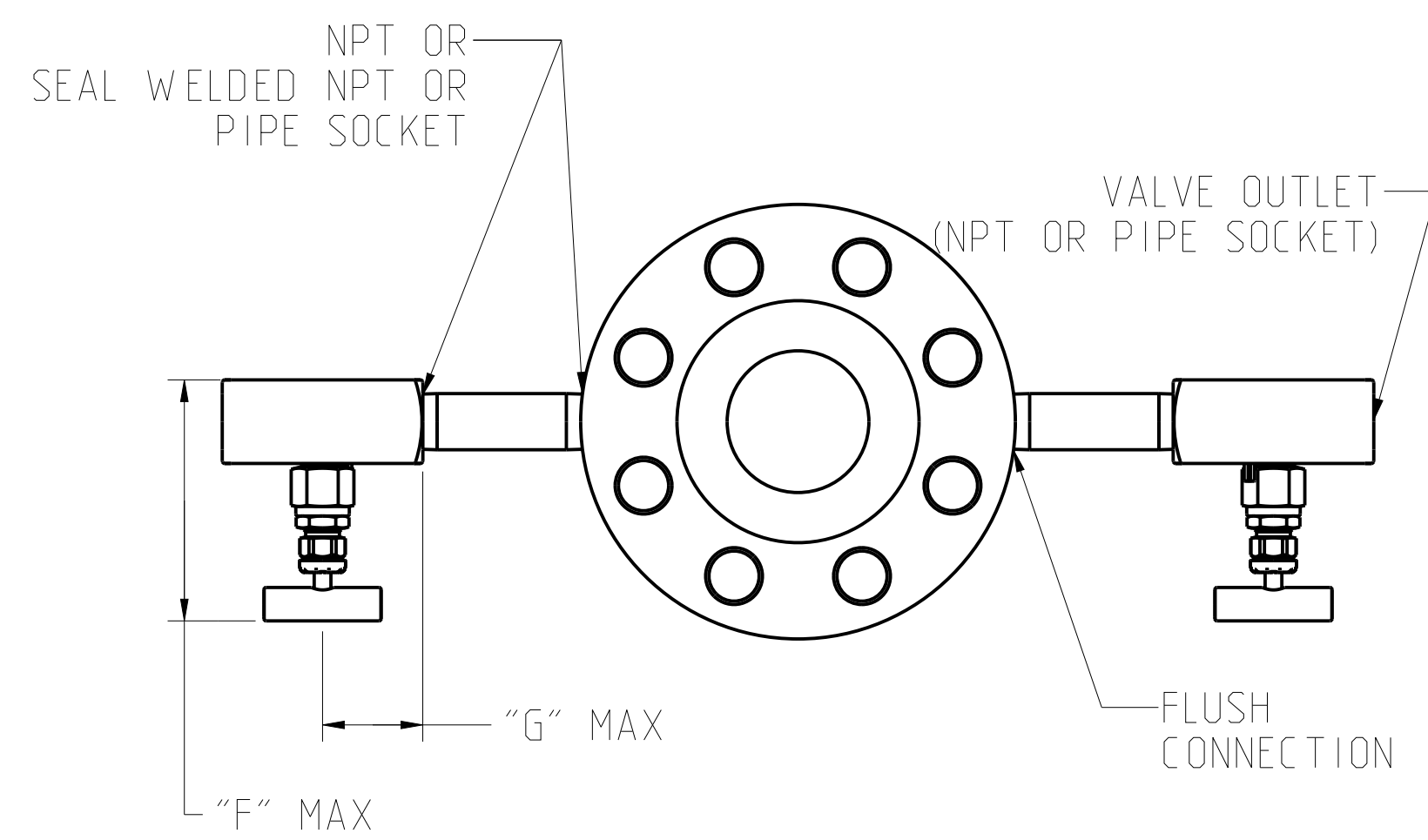
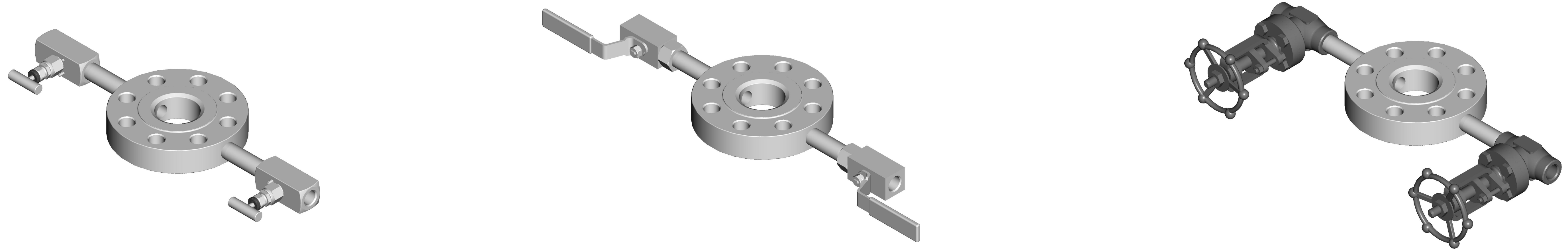
ASSEMBLY WITH GATE VALVES

· VALVE LOOK AND FEEL MAY VARY FROM WHAT IS SHOWN HERE
 · ABOVE SHOWN WITH DUAL FLUSH CONNECTIONS BUT A SINGLE FLUSH IS AVAILABLE

CONFIDENTIAL AND PROPRIETARY INFORMATION IS CONTAINED HEREIN AND MUST BE HANDLED ACCORDINGLY.	SURFACE FINISH UNLESS OTHERWISE SPECIFIED	125°	3RD ANGLE	SIZE D	SCALE 1/2	REV AC
ROSEMOUNT						
EMERSON						
8200 Market Boulevard - Chamhassen, MN 55317 USA						
TITLE ROSEMOUNT 319 FLUSHING RING WITH VALVES						
TYPE 1 DRAWING						
UNLESS OTHERWISE SPECIFIED DIMENSIONS IN INCHES (mm). REMOVE ALL BURRS AND SHARP EDGES.		-DEC TOLERANCES-		DR. L.HUIXIA 10-20-22		DRAWING NO. 00319-1010
.X ± .1 (0.3)	.XX ± 0.01 (0.13)	.XXX ± 0.005 (0.050)	ANGLES ± 1.0°	APP'D B.BECKER 01-20-23	00319-1010	
FRACTIONS ± 1/32		CAD MAINTAINED, (PRO/E)		DOC TYPE		SHEET 7 OF 14

DRAWING NO. 00319-1010

ROSEMOUNT 319 FLUSHING RING WITH VALVES
 TRADITIONAL DESIGN W/ FLANGED FLUSH SEAL CONNECTION (BOLT THROUGH DESIGN)
 319TxxxxB



BOLT THROUGH ASSEMBLY WITH NEEDLE VALVES

BOLT THROUGH ASSEMBLY WITH BALL VALVES

BOLT THROUGH ASSEMBLY WITH GATE VALVES

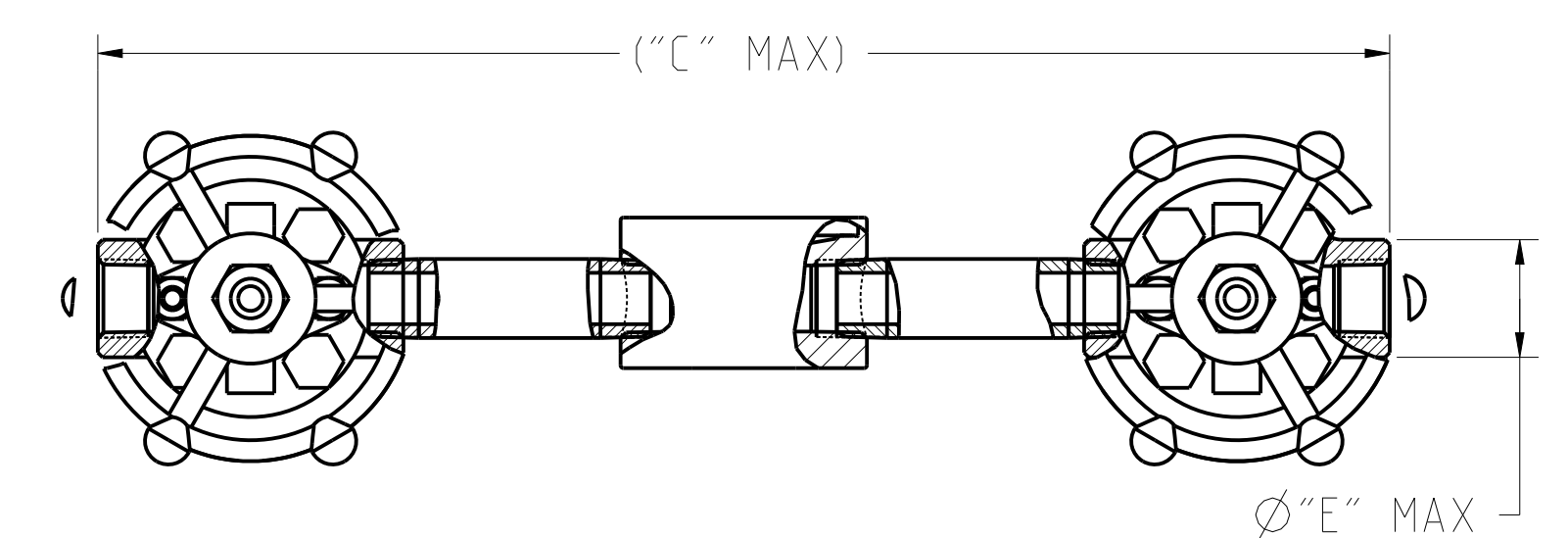
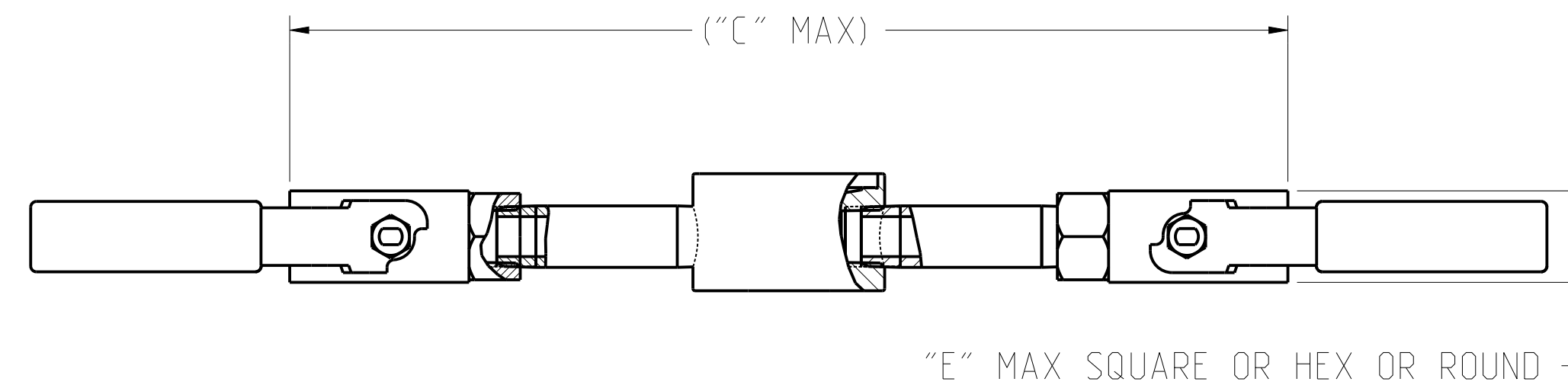
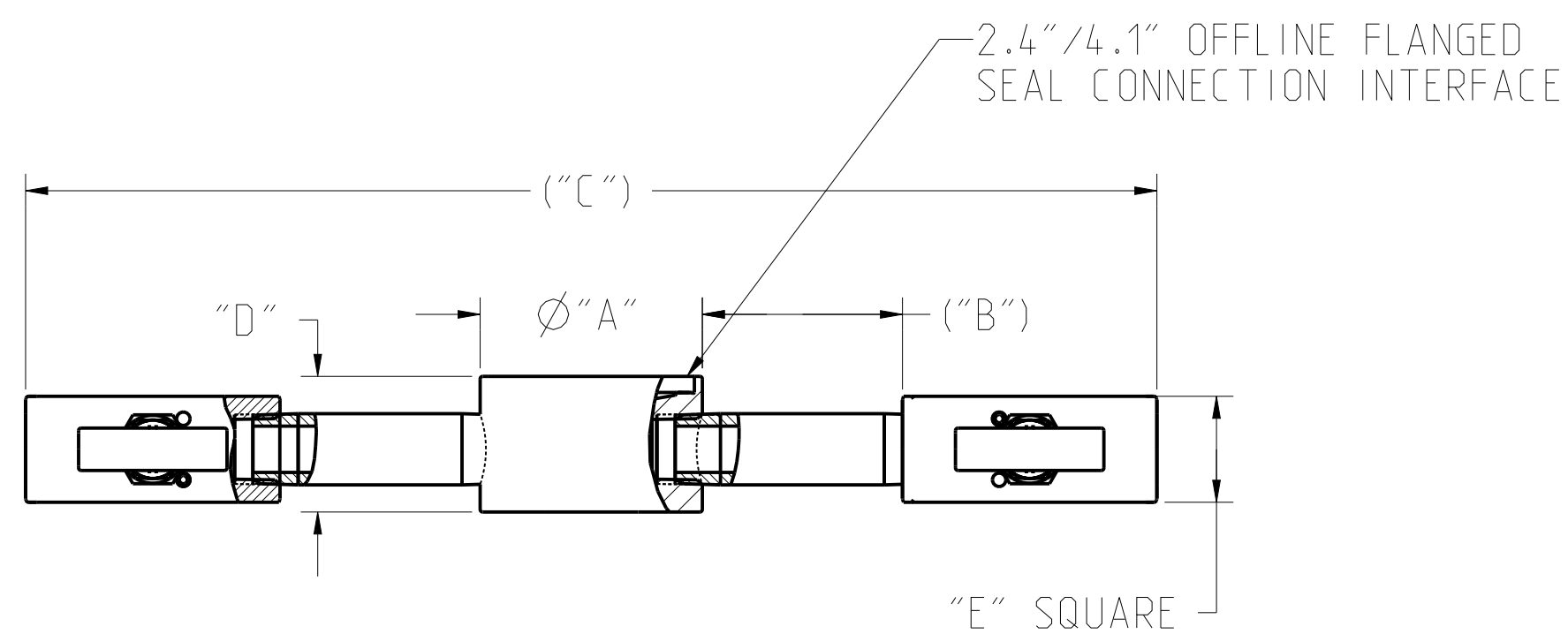
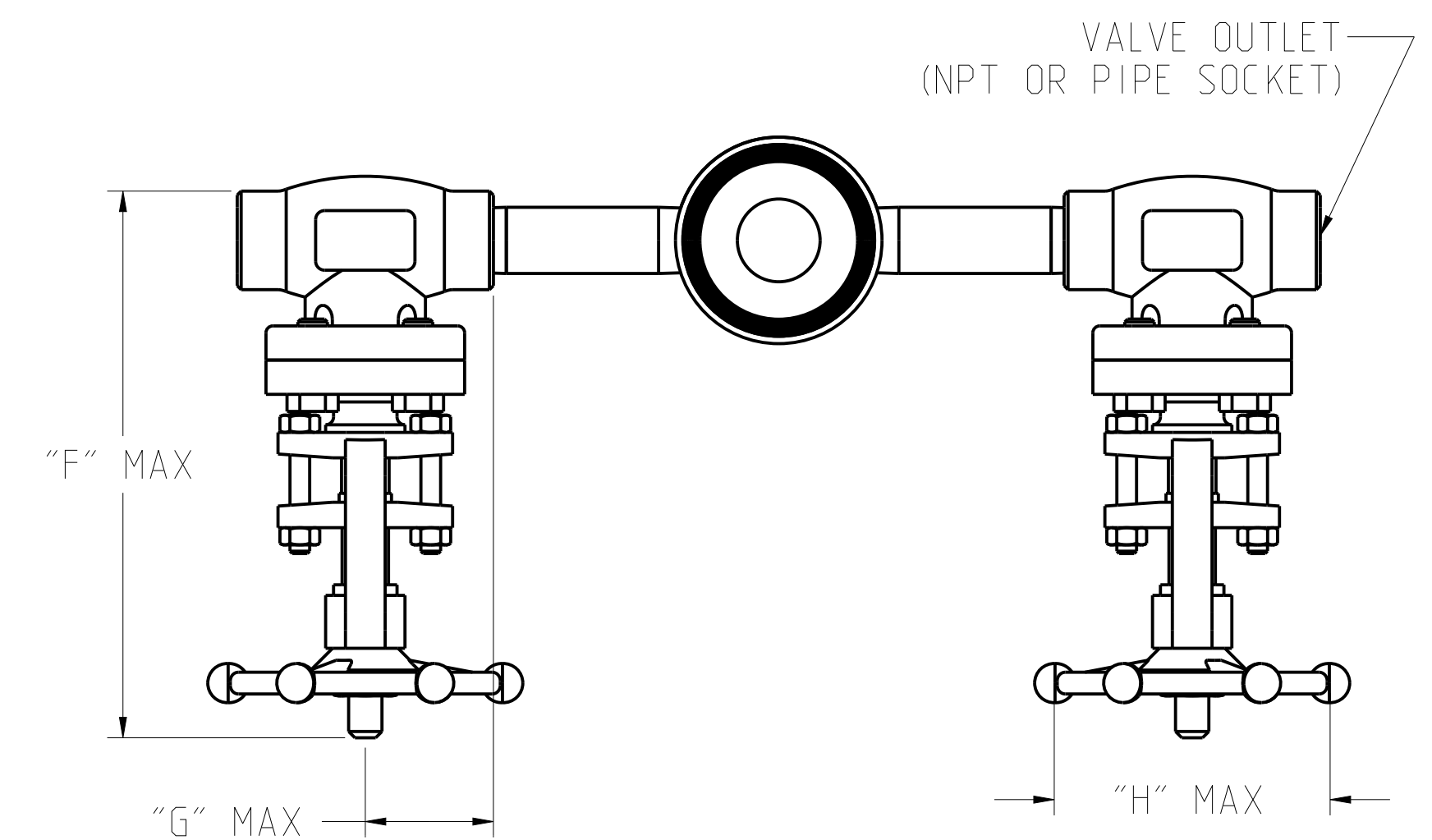
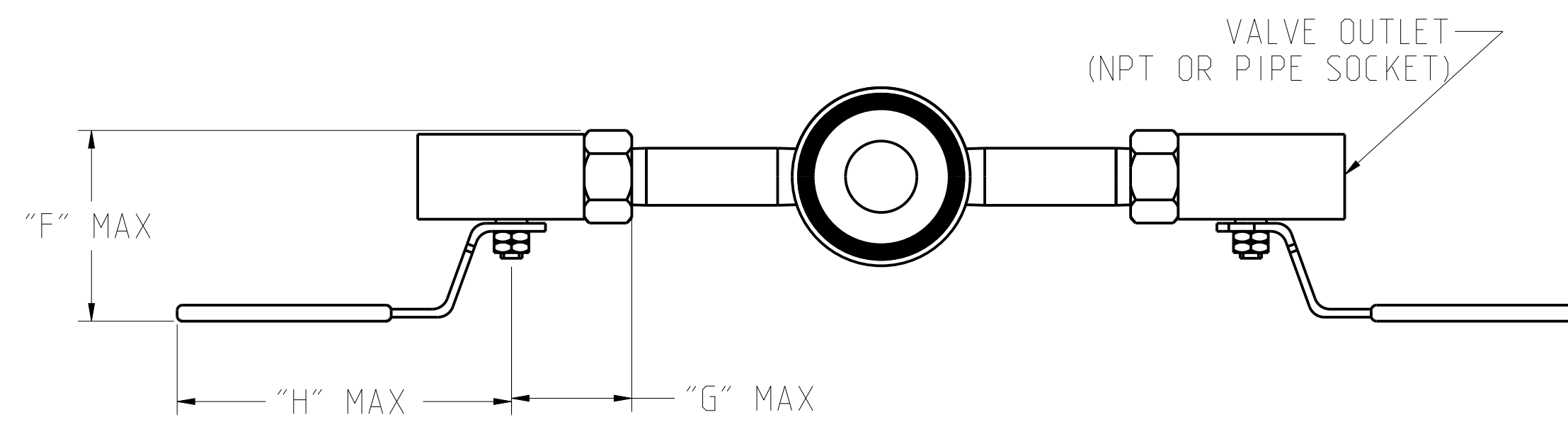
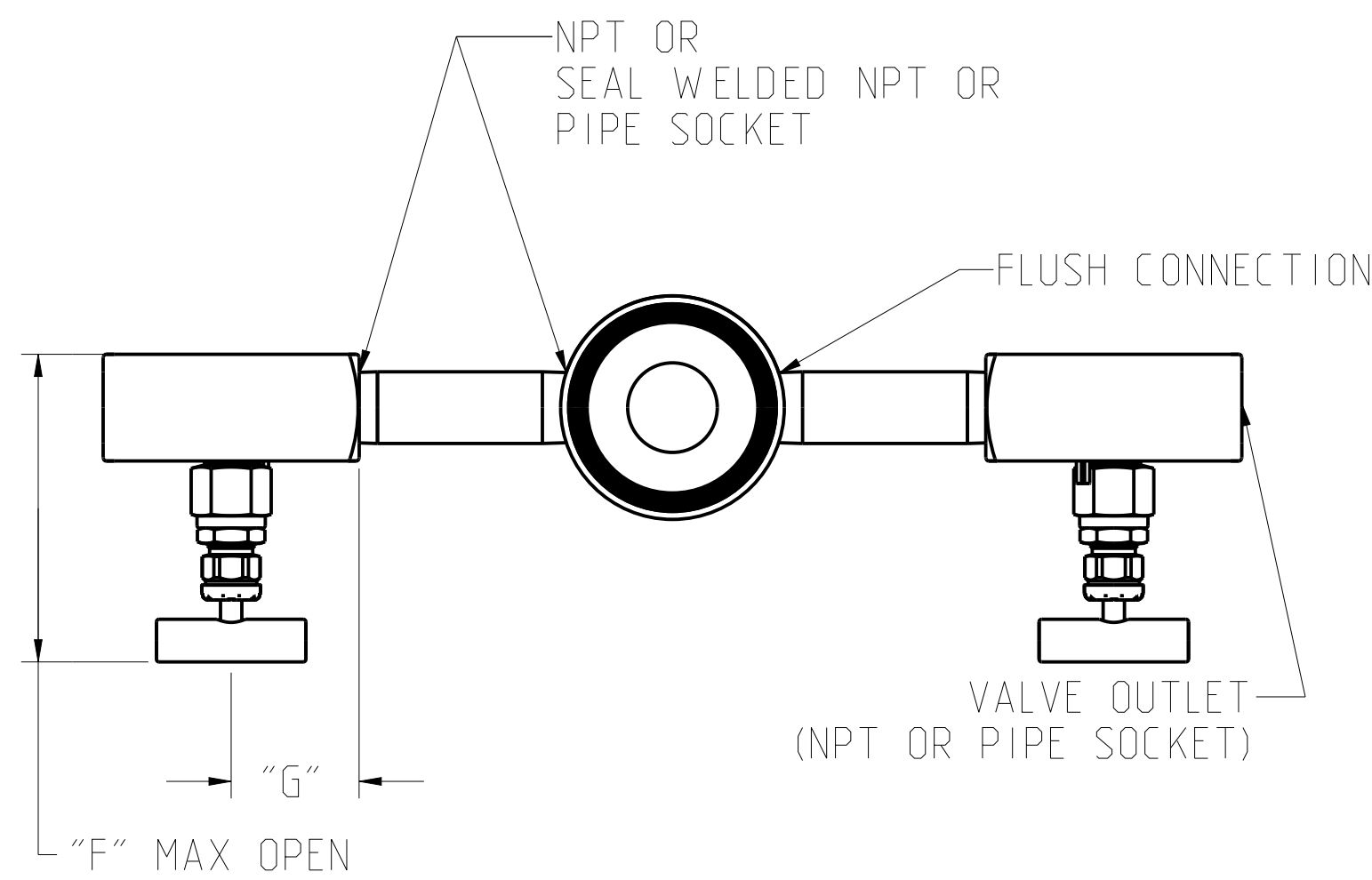
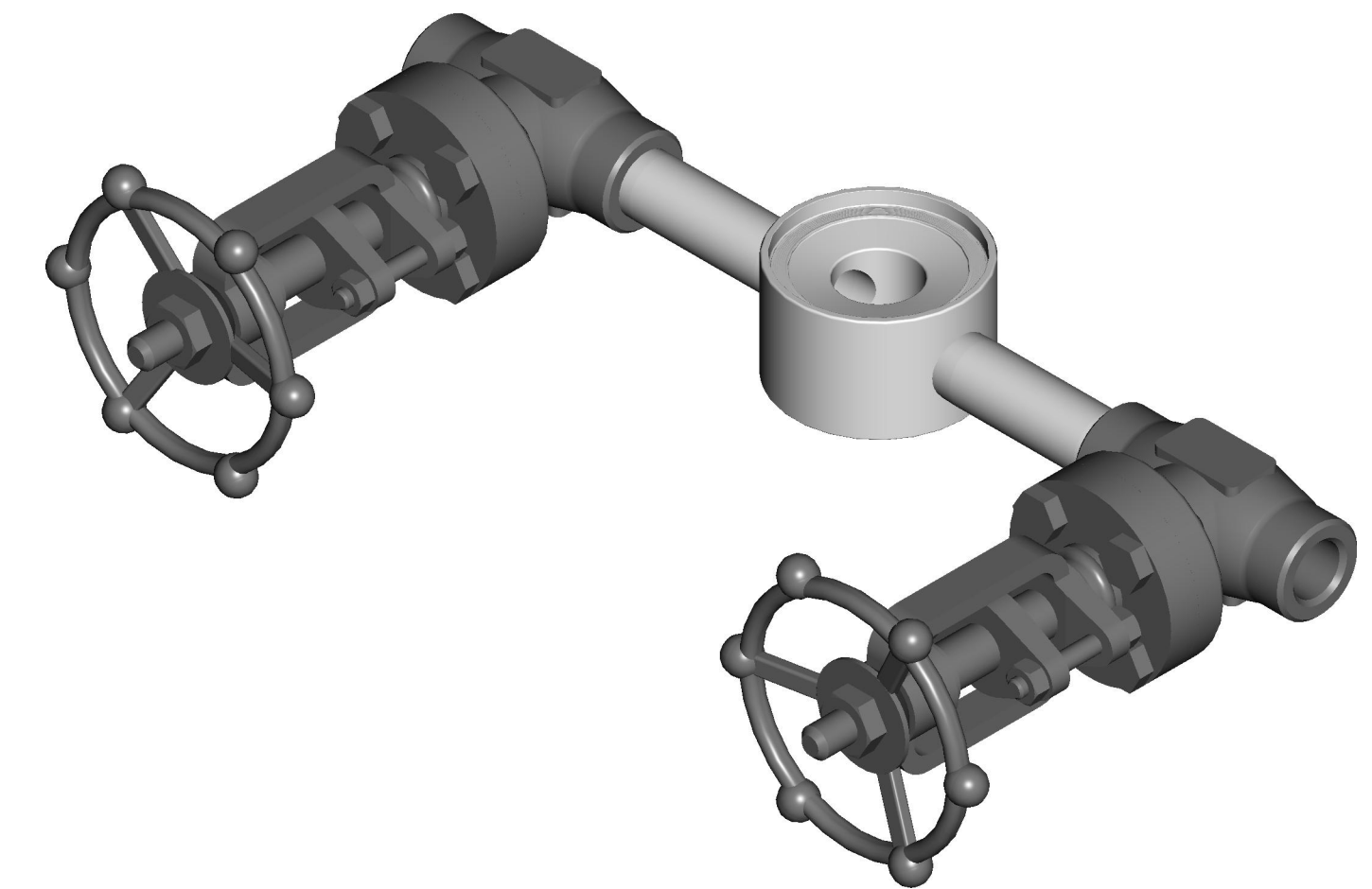
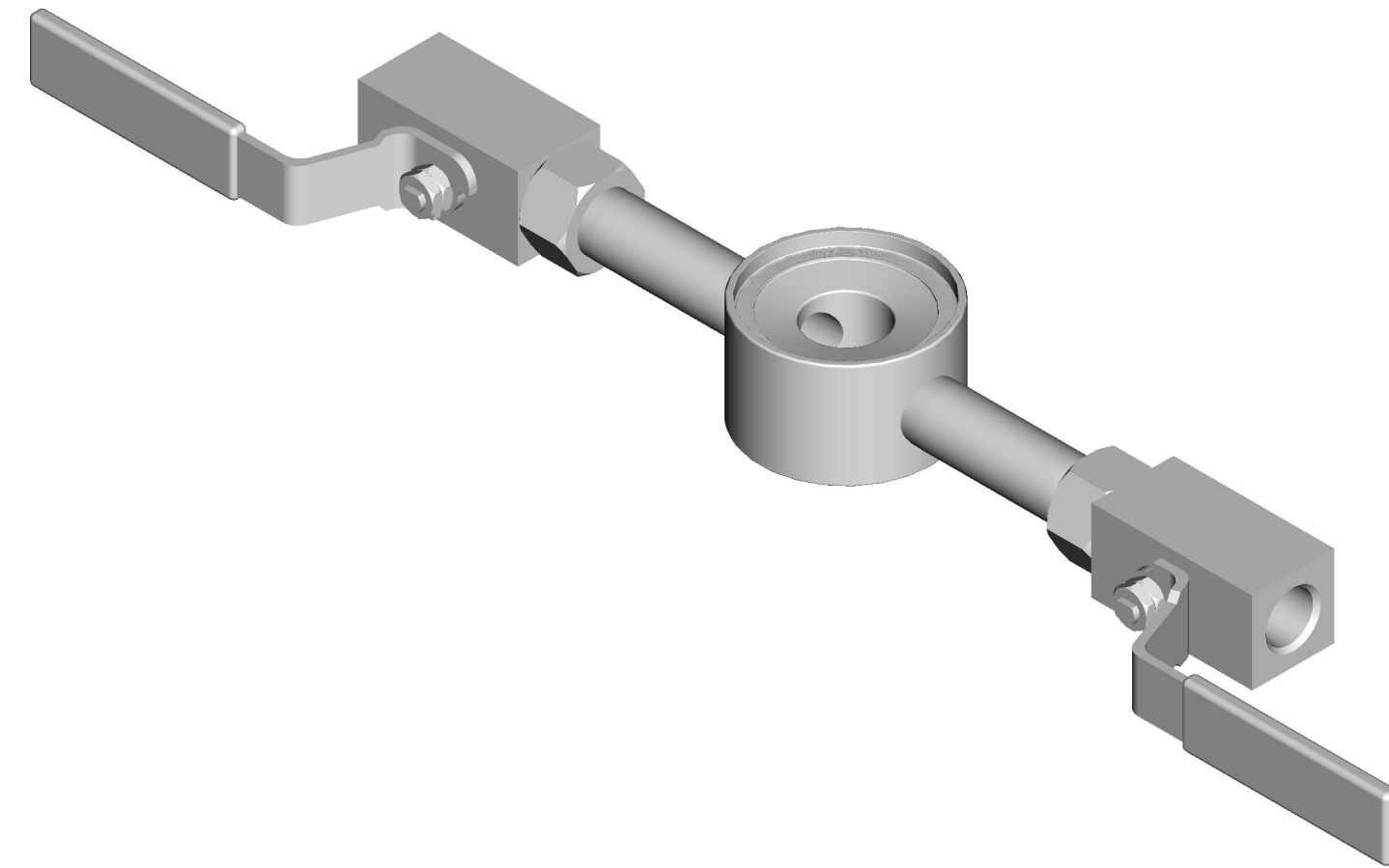
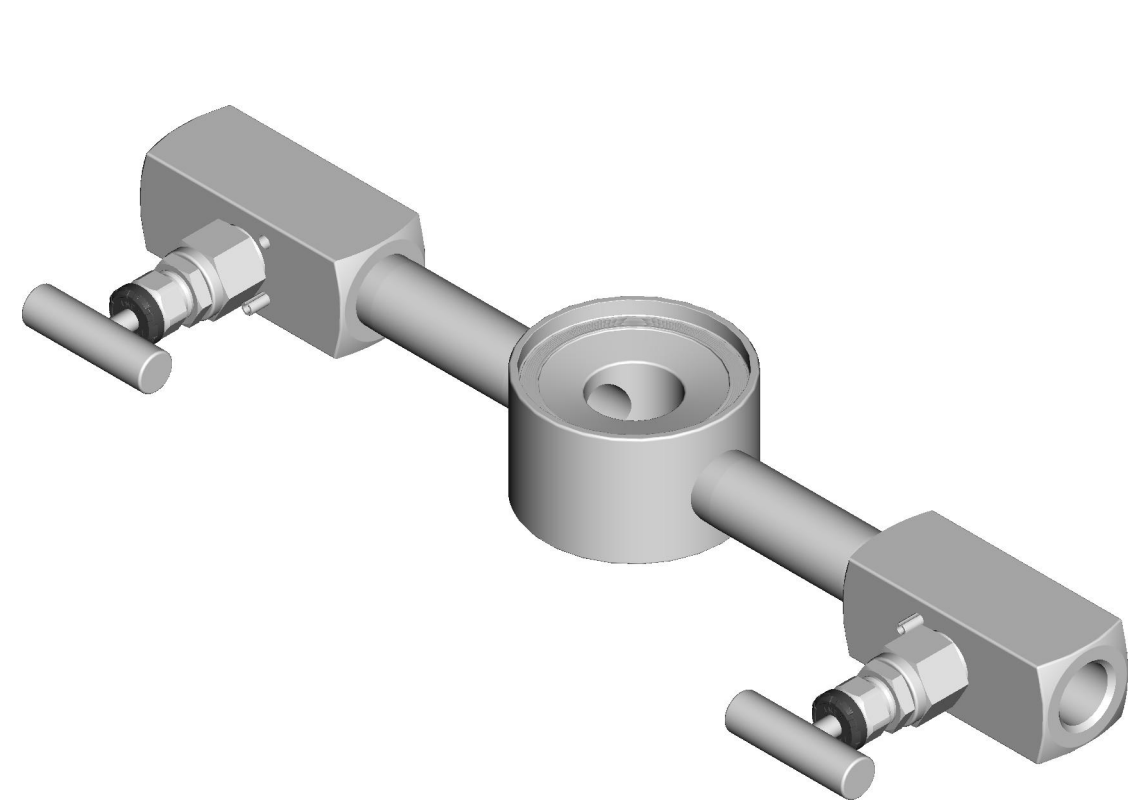
·VALVE LOOK AND FEEL MAY VARY FROM WHAT IS SHOWN HERE

·ABOVE SHOWN WITH DUAL FLUSH CONNECTIONS BUT A SINGLE FLUSH IS AVAILABLE

CONFIDENTIAL AND PROPRIETARY INFORMATION IS CONTAINED HEREIN AND MUST BE HANDLED ACCORDINGLY.		SURFACE FINISH UNLESS OTHERWISE SPECIFIED		125	3RD ANGLE	SIZE D	SCALE 2/5	REV AC
ROSEMOUNT		ROSEMOUNT						
UNLESS OTHERWISE SPECIFIED DIMENSIONS IN INCHES (MM). REMOVE ALL BURRS AND SHARP EDGES.		EMERSON 8200 Market Boulevard - Chanhassen, MN 55317 USA						
-DEC TOLERANCES-		TITLE ROSEMOUNT 319 FLUSHING RING WITH VALVES						
.X ± .1 [0.3]		TYPE 1 DRAWING						
.XX ± 0.01 [0.13]		DR. L.HUIXIA 10-20-22 DRAWING NO.						
.XXX ± 0.005 [0.050]		APP'D B.BECKER 01-20-23						
FRACTIONS ± 1/32	ANGLES ± 1.0°	00319-1010						
DO NOT SCALE PRINT	CAD MAINTAINED, (PRO/E)	- DOC TYPE - SHEET 9 OF 14						

DRAWING NO. 00319-1010

ROSEMOUNT 319 FLUSHING RING WITH VALVES
 TRADITIONAL DESIGN W/ 2.4"/4.1" OFFLINE FLANGED SEAL CONNECTION (INSERT DESIGN)
 319TxxxxR



INSERT DESIGN ASSEMBLY WITH NEEDLE VALVES

INSERT DESIGN ASSEMBLY WITH BALL VALVES

INSERT DESIGN ASSEMBLY WITH GATE VALVES

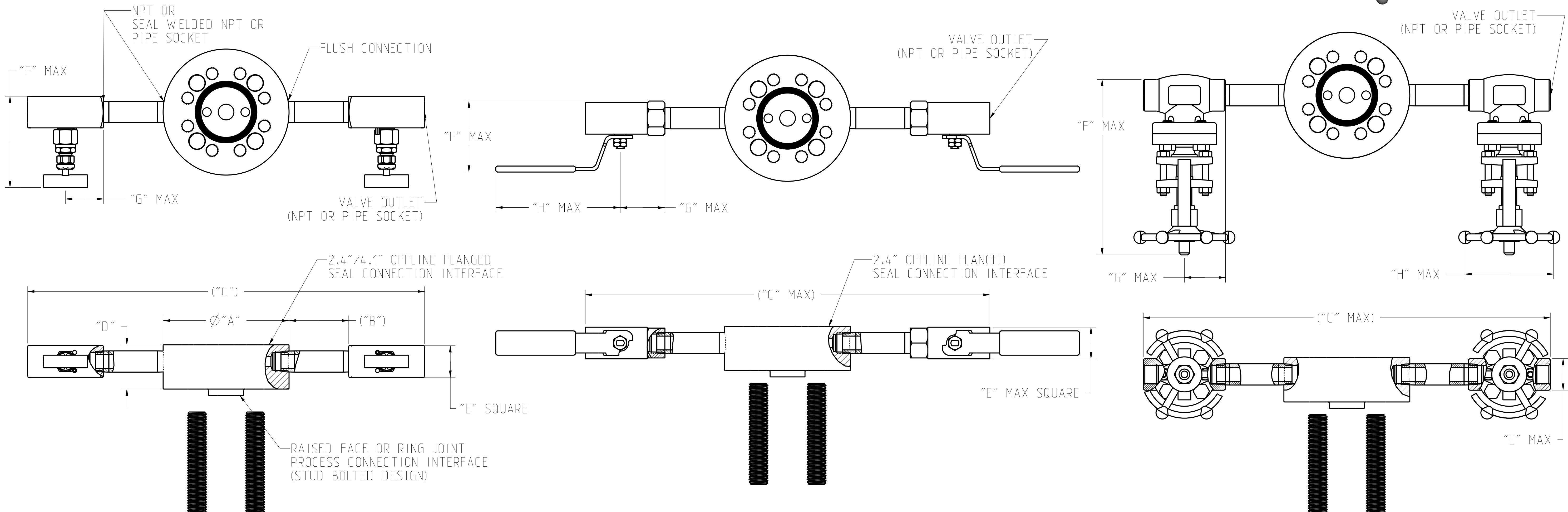
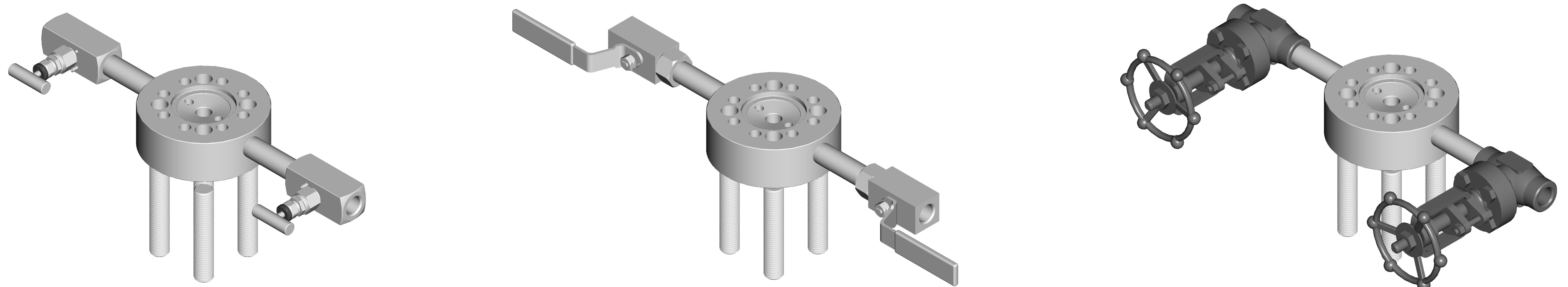
VALVE LOOK AND FEEL MAY VARY FROM WHAT IS SHOWN HERE

ABOVE SHOWN WITH DUAL FLUSH CONNECTIONS BUT A SINGLE FLUSH IS AVAILABLE

CONFIDENTIAL AND PROPRIETARY INFORMATION IS CONTAINED HEREIN AND MUST BE HANDLED ACCORDINGLY.	SURFACE FINISH UNLESS OTHERWISE SPECIFIED	125°	3RD ANGLE	SIZE D	SCALE 1/2	REV AC
ROSEMOUNT						
EMERSON 8200 Market Boulevard - Chamhassen, MN 55317 USA						
TITLE ROSEMOUNT 319 FLUSHING RING WITH VALVES						
TYPE 1 DRAWING						
UNLESS OTHERWISE SPECIFIED DIMENSIONS IN INCHES (mm). REMOVE ALL BURRS AND SHARP EDGES.		-DEC TOLERANCES-		DR. L.HUIXIA 10-20-22		DRAWING NO. 00319-1010
.X ± .1 [0.3]	.XX ± 0.01 [0.13]	.XXX ± 0.005 [0.050]	ANGLES ± 1.0°	APP'D B.BECKER 01-20-23	SHEET 11 OF 14	
DO NOT SCALE PRINT CAD MAINTAINED, (PRO/E) PRODUCT CODE - DOC TYPE -						

DRAWING NO. 00319-1010

ROSEMOUNT 319 FLUSHING RING WITH VALVES
 TRADITIONAL DESIGN W/ 2.4"/4.1" OFFLINE FLANGED SEAL CONNECTION (STUD BOLTED DESIGN)
 319TxxxxS



STUD BOLTED DESIGN ASSEMBLY WITH NEEDLE VALVES

STUD BOLTED DESIGN ASSEMBLY WITH BALL VALVES

STUD BOLTED DESIGN ASSEMBLY WITH GATE VALVES

·VALVE LOOK AND FEEL MAY VARY FROM WHAT IS SHOWN HERE

·ABOVE SHOWN WITH DUAL FLUSH CONNECTIONS BUT A SINGLE FLUSH IS AVAILABLE

CONFIDENTIAL AND PROPRIETARY INFORMATION IS CONTAINED HEREIN AND MUST BE HANDLED ACCORDINGLY.	SURFACE FINISH UNLESS OTHERWISE SPECIFIED	125	3RD ANGLE	SIZE D	SCALE 1/2	REV AC
ROSEMOUNT						
EMERSON						
8200 Market Boulevard - Chamhassen, MN 55317 USA						
TITLE ROSEMOUNT 319 FLUSHING RING WITH VALVES						
TYPE 1 DRAWING						
DR. L.HUIXIA 10-20-22		DRAWING NO.		00319-1010		
APP'D B.BECKER 01-20-23		DOC TYPE		SHEET 12 OF 14		
DO NOT SCALE PRINT CAD MAINTAINED, (PRO/E) PRODUCT CODE						

DRAWING NO. 00319-1010

