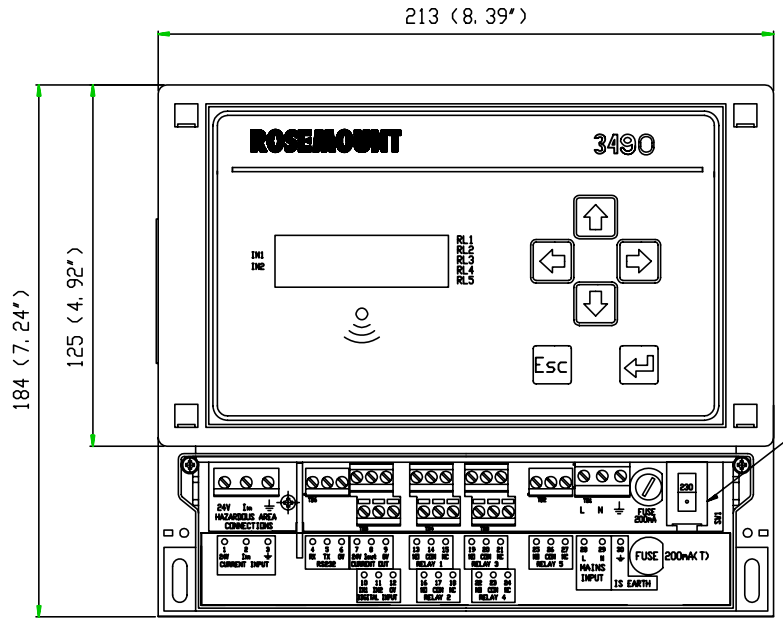
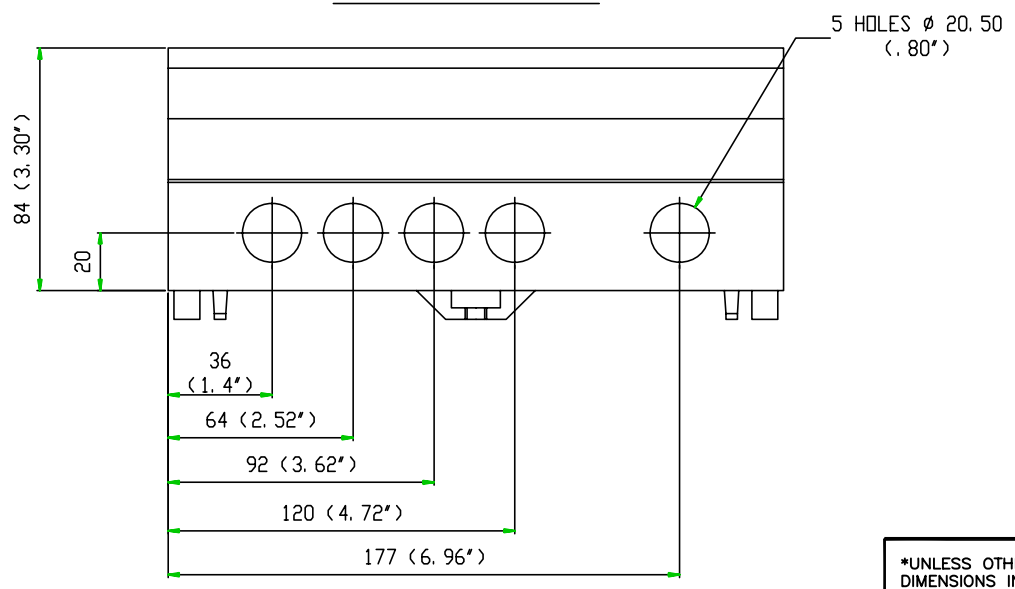
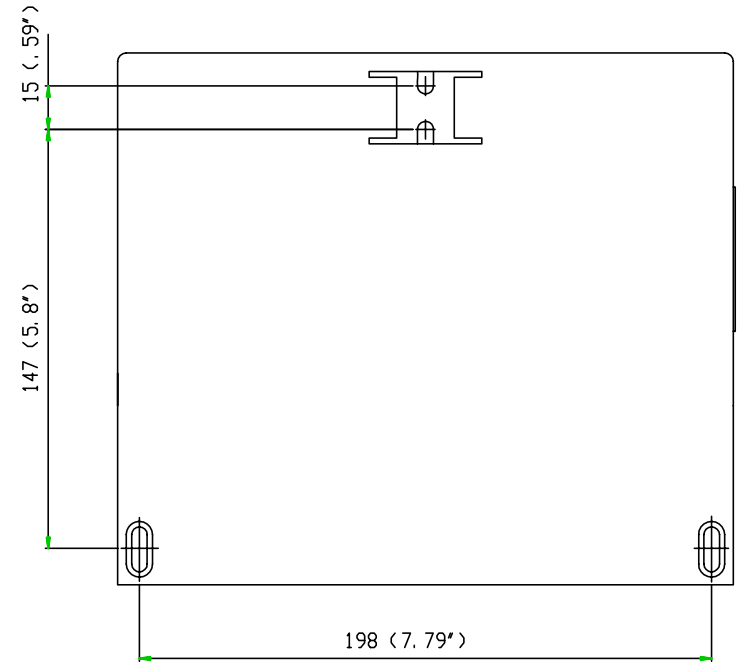


| REVISIONS |             |            |       |        |
|-----------|-------------|------------|-------|--------|
| REV       | DESCRIPTION | CHG.NO.    | APP'D | DATE   |
| AA        | NEW RELEASE | RTC1014382 | GGH   | 6/8/07 |



MAINS VOLTAGE SELECTOR SWITCH

TERMINAL COVER REMOVED



|  |  |          |                         |                  |   |  |
|--|--|----------|-------------------------|------------------|---|--|
| <p>© Emerson Process Management 2007</p> | *UNLESS OTHERWISE SPECIFIED, DIMENSIONS IN MILLIMETERS (IN.) |          | TYPE I                  |                  | <b>ROSEMOUNT</b><br>CHANHASSEN, MINNESOTA |  |
|  | DR. EG   | 12/18/02 | TITLE                   |                  |   |  |
|  | APP'D. DRAWING   |          | WALL MOUNT CONTROL UNIT |                  |   |  |
|  | APP'D. SPECIALS  |          | SIZE A                  | DRAWING NO. 3490 |   |  |
|  |  |          | SCALE: NONE             | SHEET 1 OF 1     |   |  |