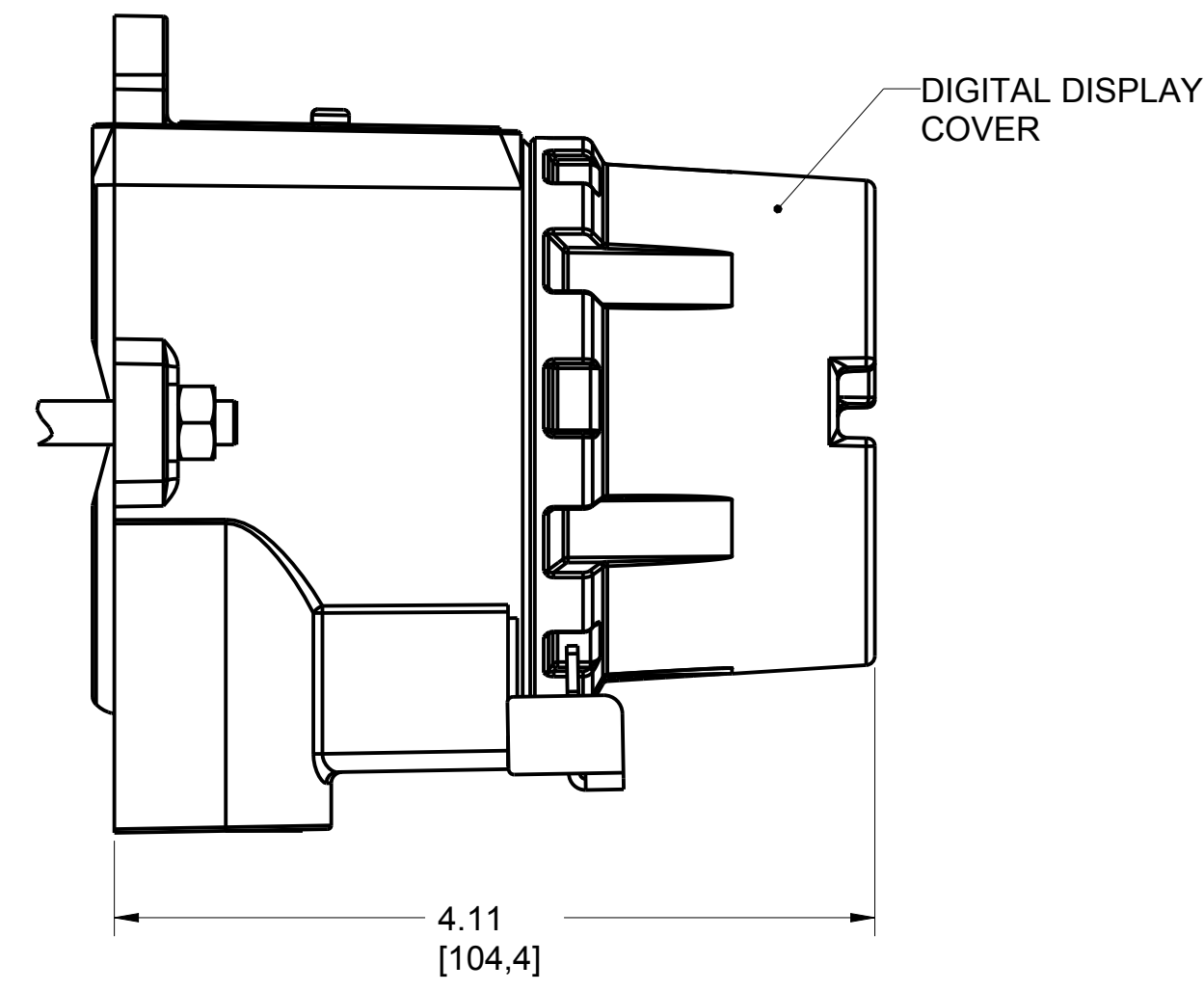


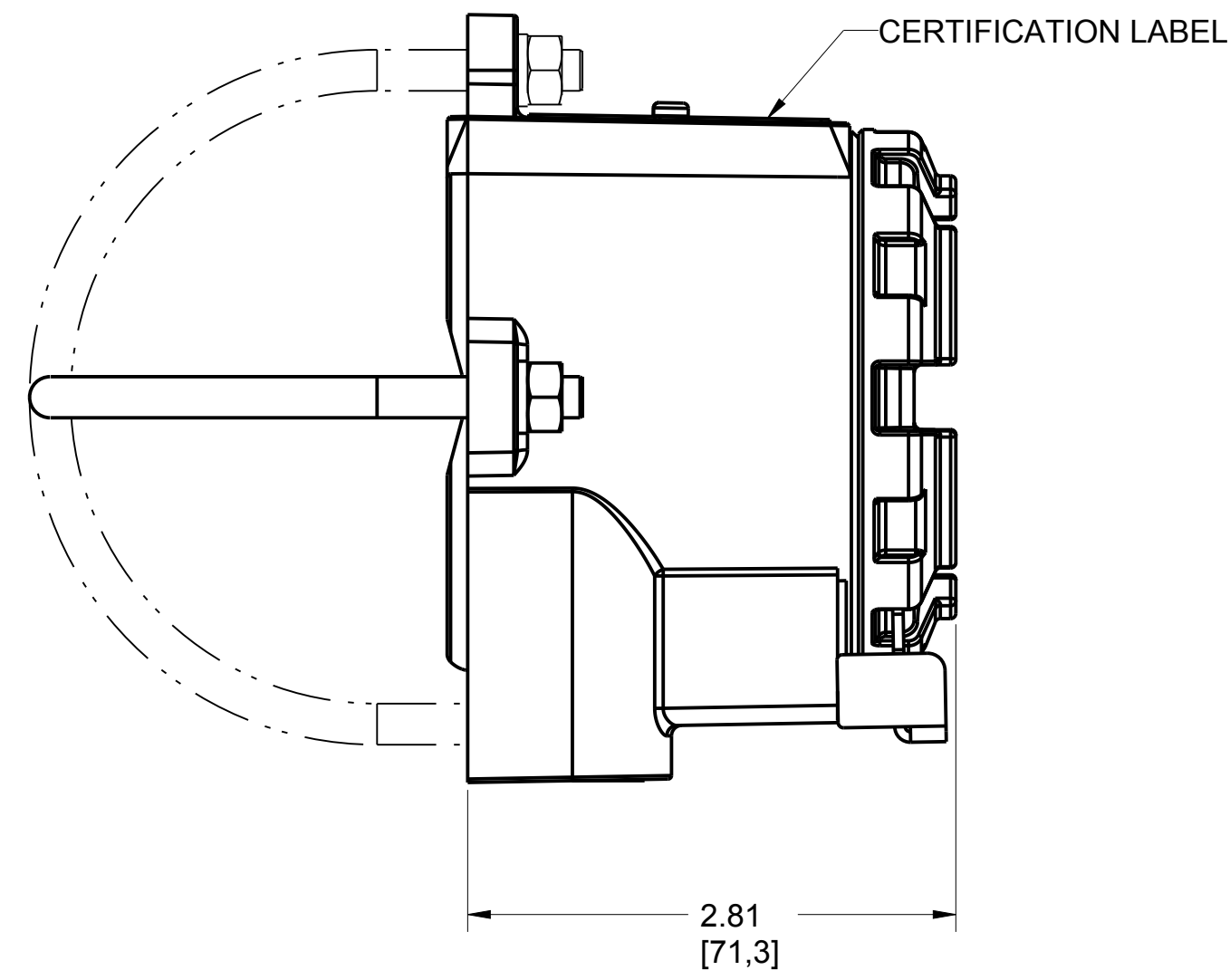
# ROSEMOUNT 644 HEAD MOUNT TEMPERATURE TRANSMITTER UNIVERSAL JUNCTION BOX (2 ENTRIES)

REVISION TABLE			
REVISION	ECO NO.	APP'D	DATE
AH	RTC1071286	B. JAFFREY	8/23/18
DESCRIPTION			
UPDATE CALL OUTS AND DIMENSIONS. CHANGE TITLEBLOCK			

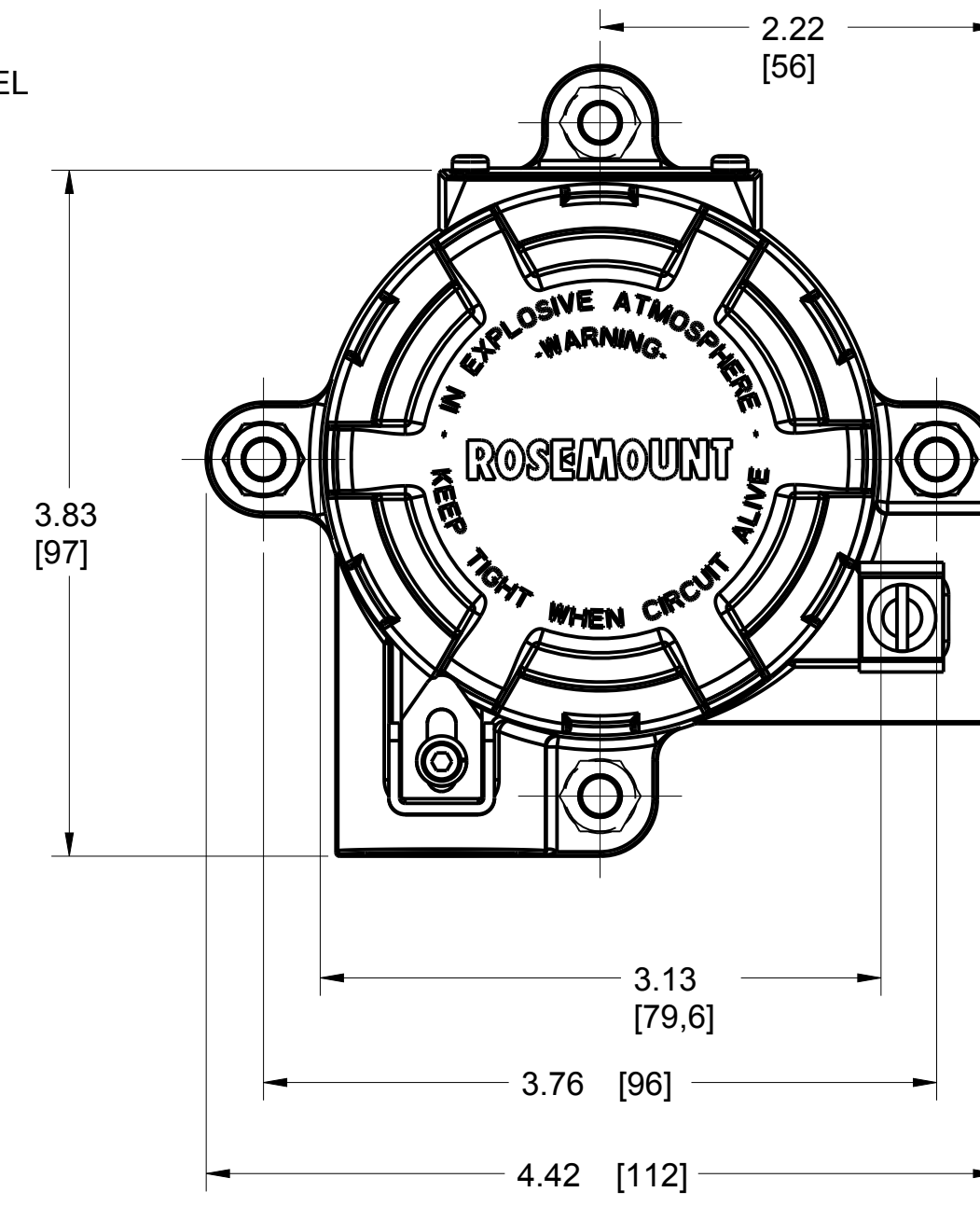
SHOWN WITH OPTIONAL DIGITAL DISPLAY



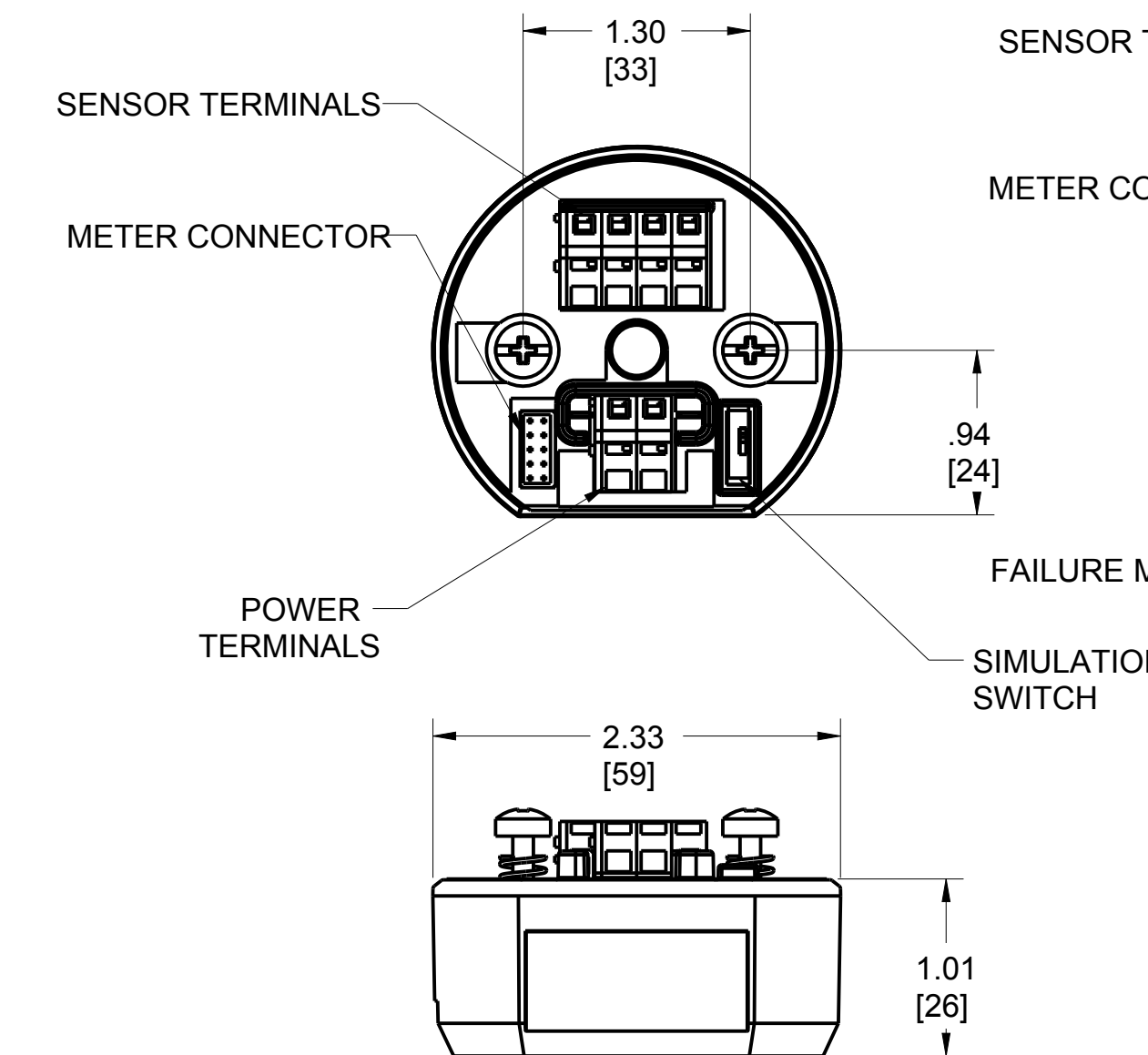
SHOWN WITH ENCLOSURE



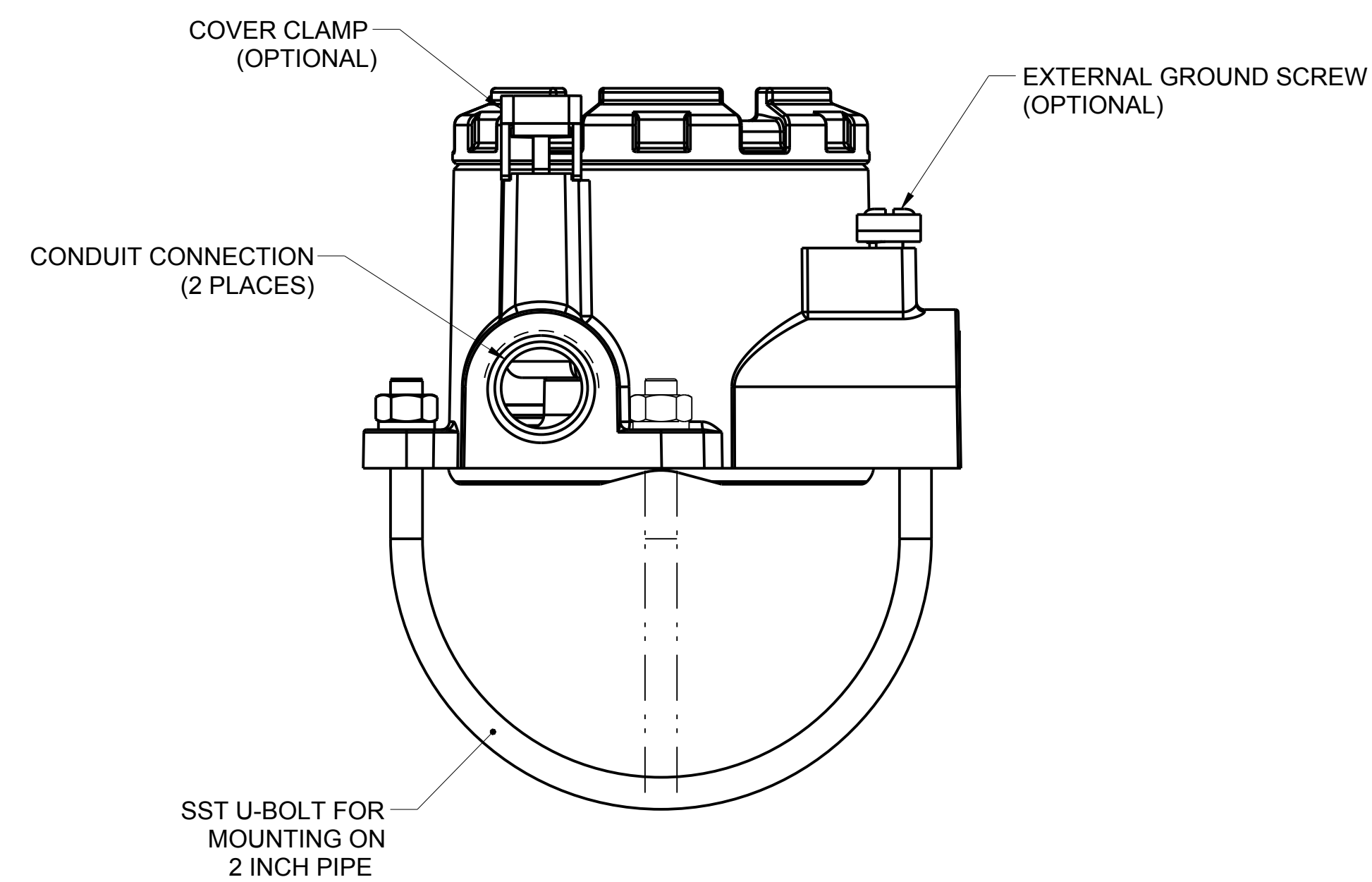
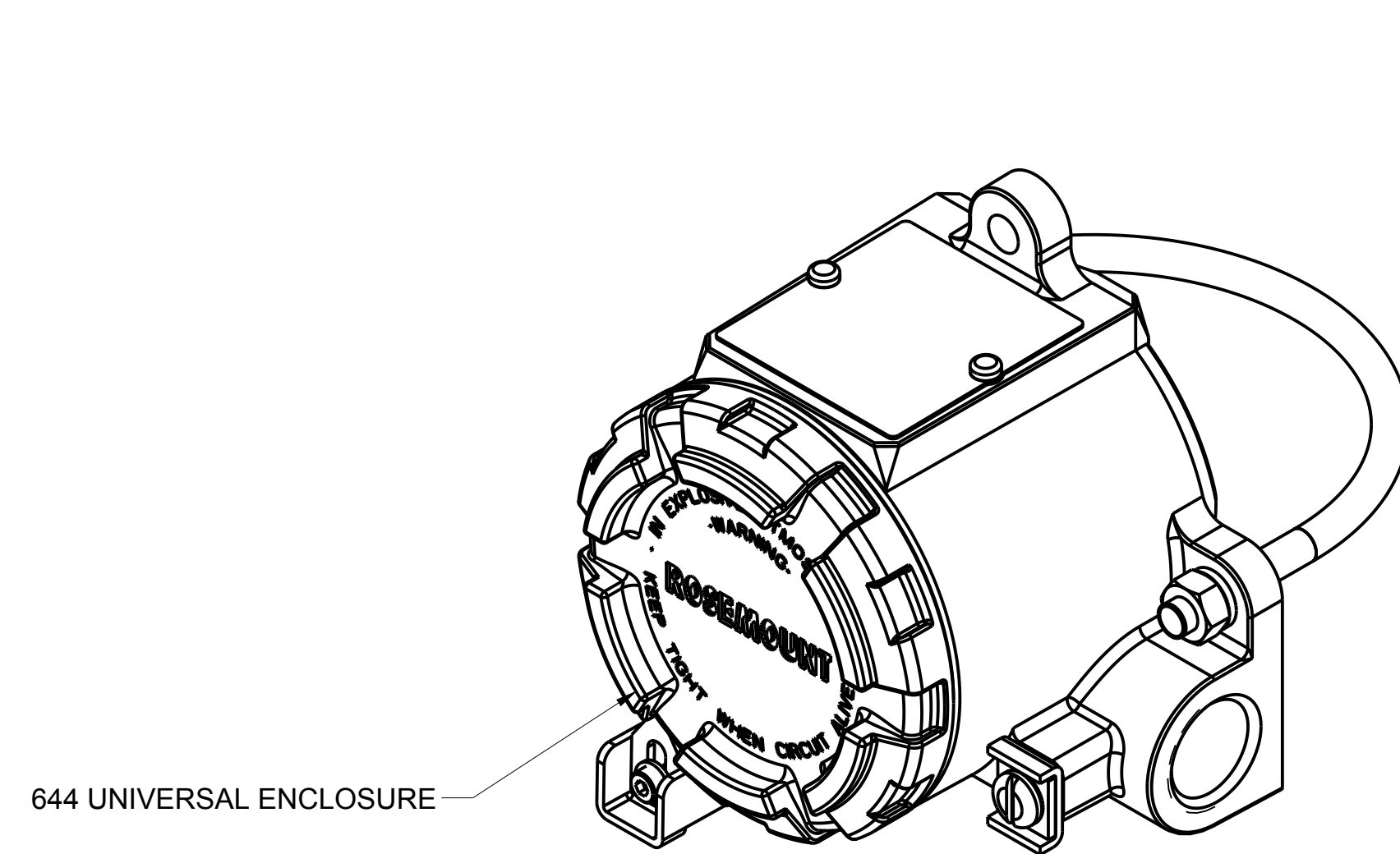
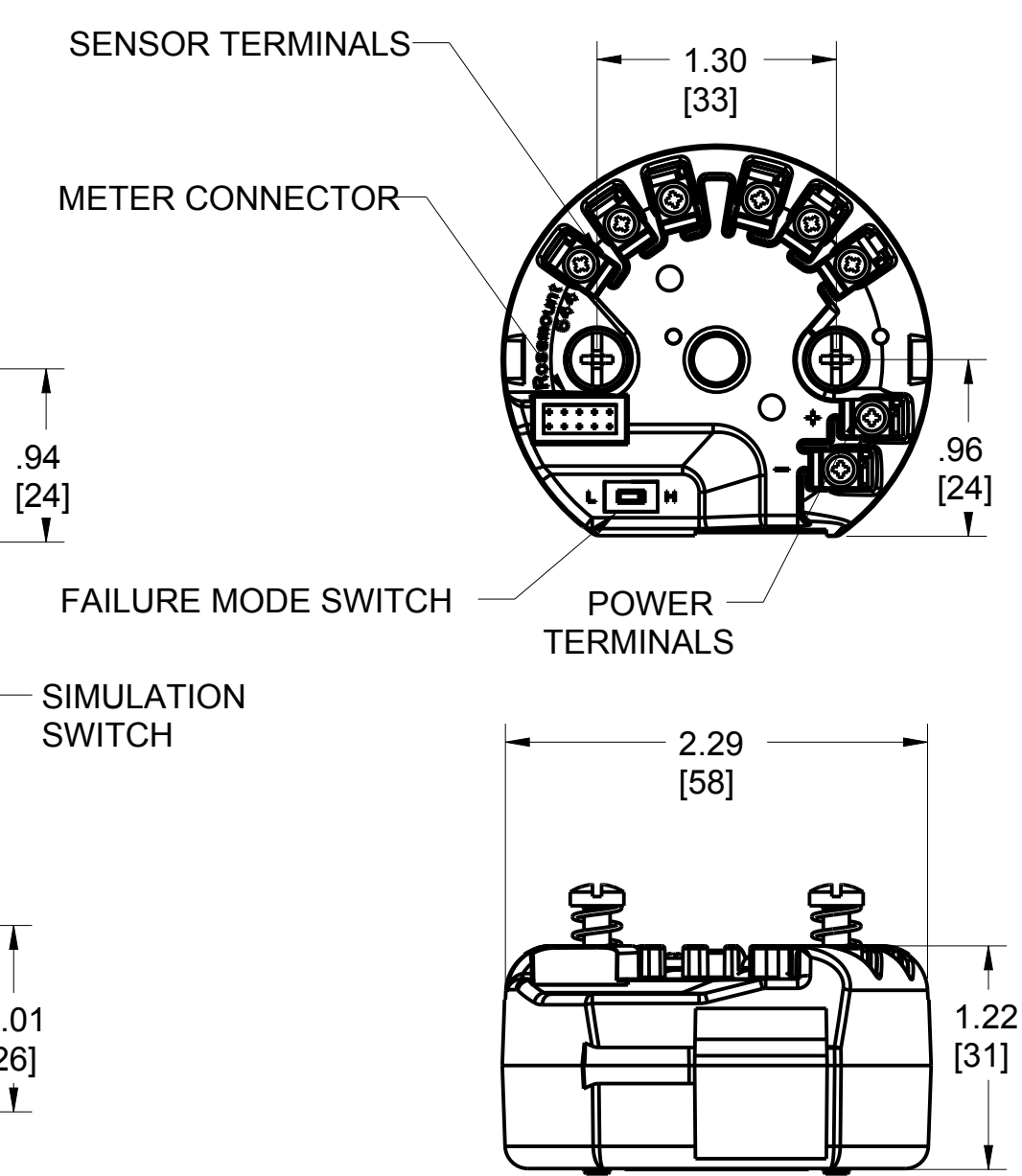
SHOWN WITHOUT ENCLOSURE



FIELDBUS/PROFIBUS



HART (ENHANCED)



©2015 ROSEMOUNT INC. ROSEMOUNT INC. CERTIFIES THIS DRAWING TO THE STANDARDS IN ACCORDANCE WITH ROSEMOUNT ENGINEERING SPECIFICATIONS. UNIT NOTES IN INCHES (mm). REFERENCE ROSEMOUNT PRODUCT SPECIFICATIONS. CLICK HERE

3RD ANGLE

EMERSON

TITLE  
**ROSEMOUNT 644  
TYPE I DRAWING**

DR. J. ARMSTRONG	2/12/17	DRAWING NO.	
APP'D M. DOBRATZ	2/14/17		00644-0011

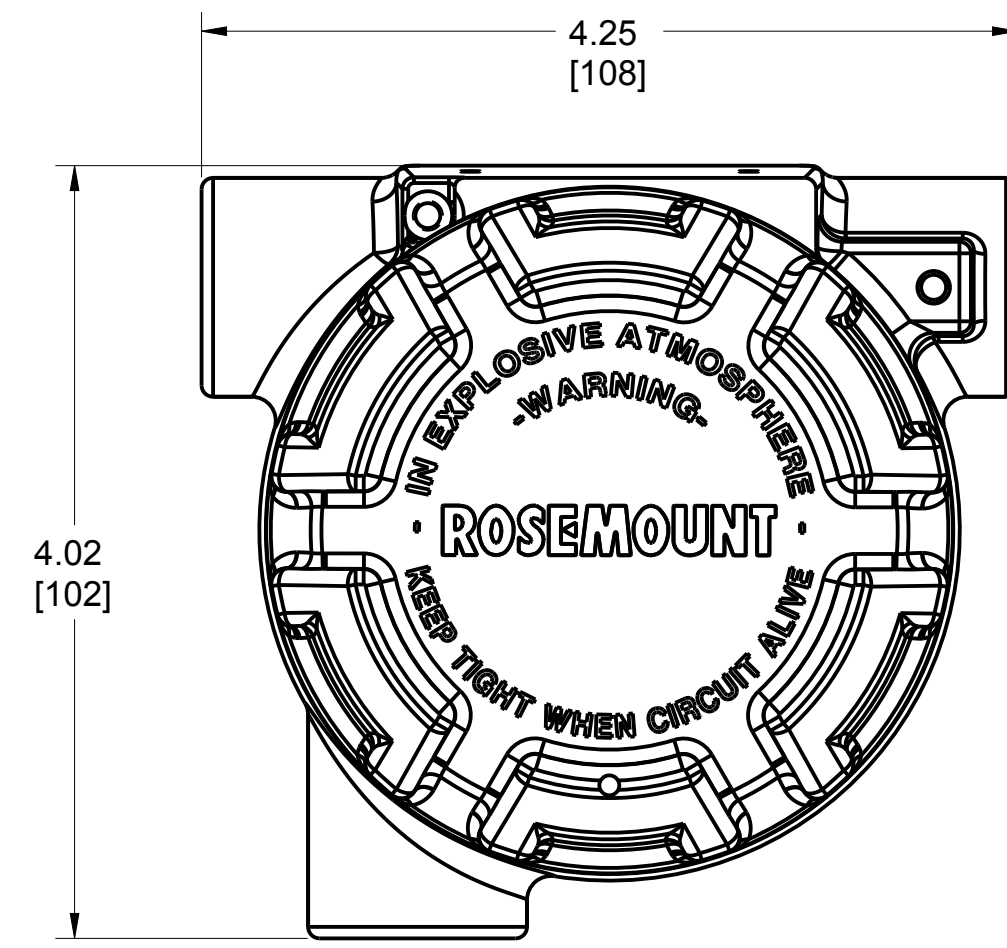
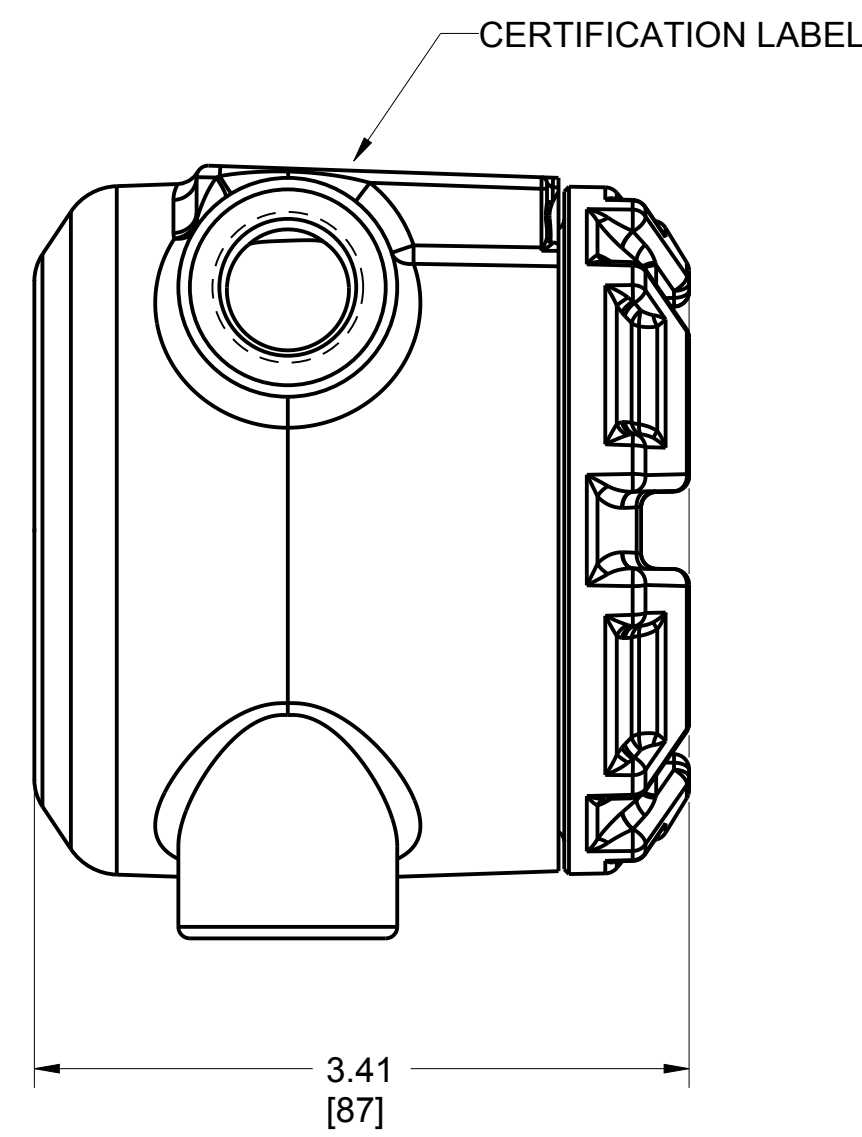
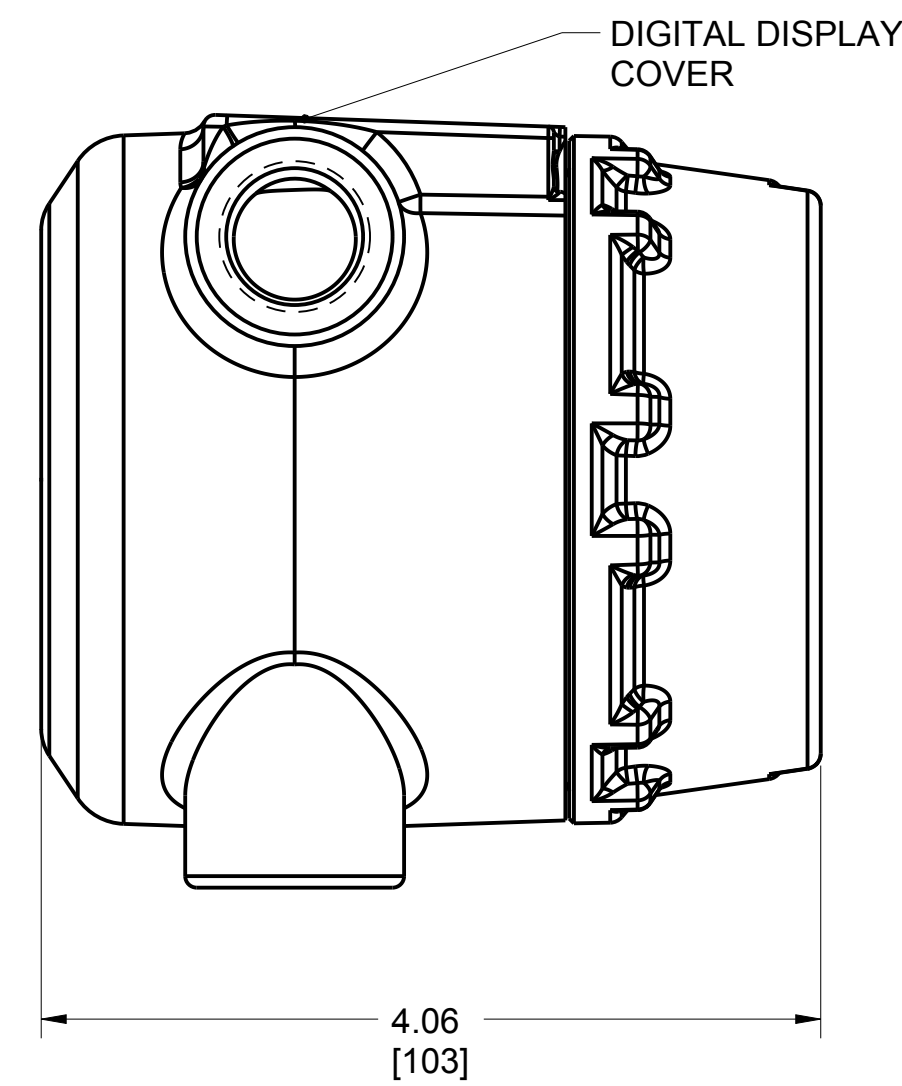
CAD MAINTAINED, (PROE) SHEET 1 OF 5

# ROSEMOUNT 644 HEAD MOUNT TEMPERATURE TRANSMITTER UNIVERSAL JUNCTION BOX (3 ENTRIES)

SHOWN WITHOUT ENCLOSURE

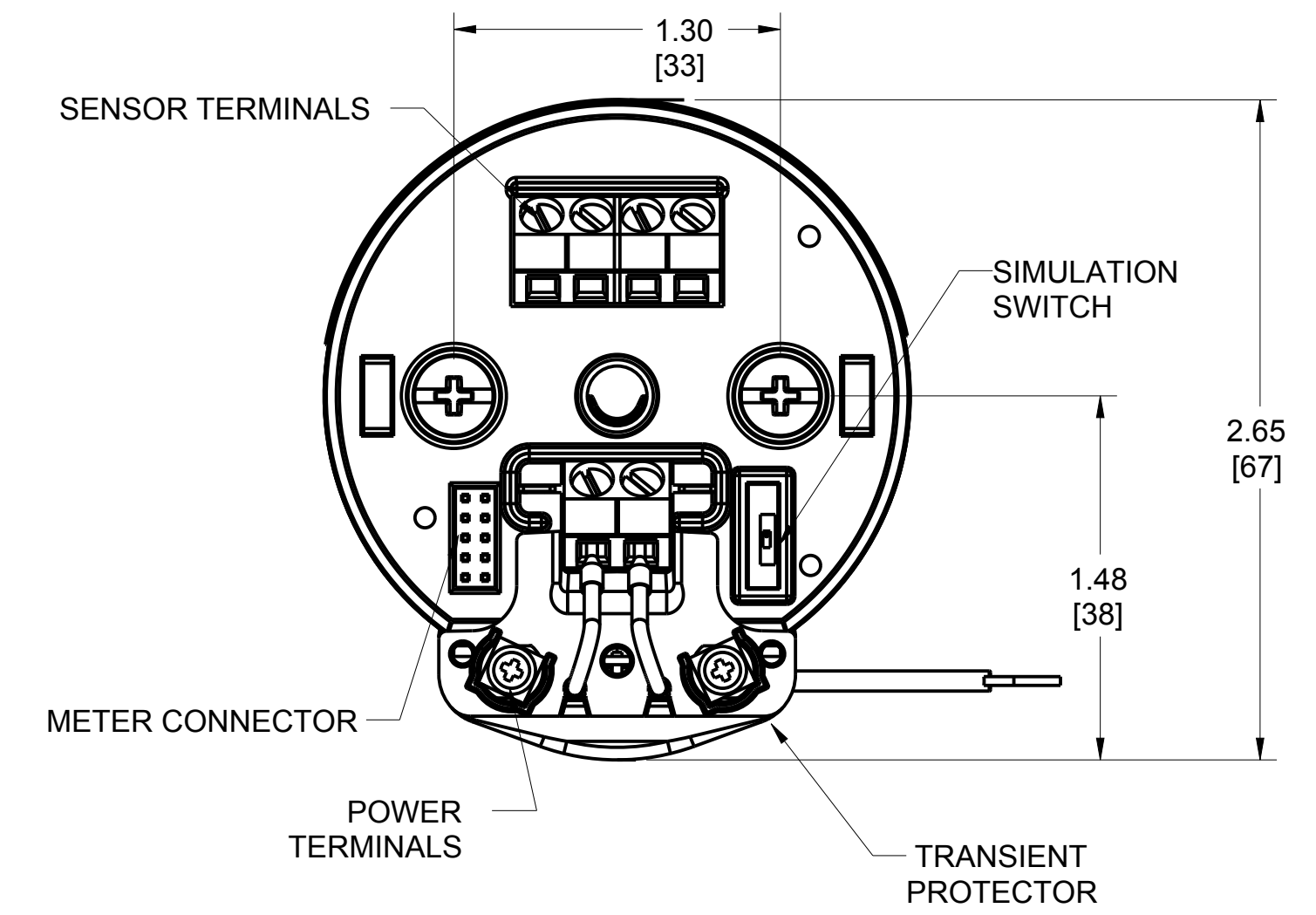
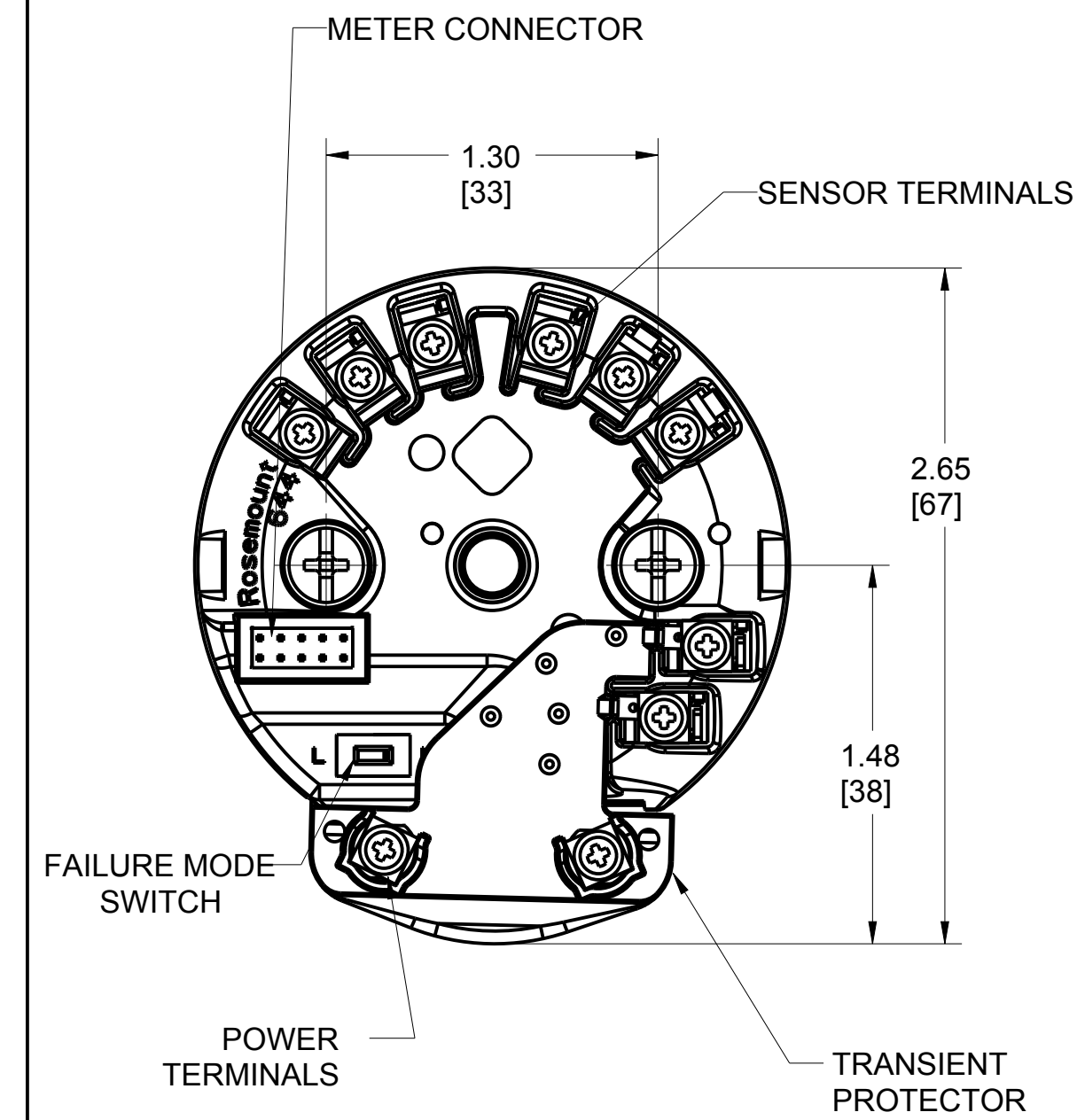
SHOWN WITH ENCLOSURE

SHOWN WITH OPTIONAL DIGITAL DISPLAY

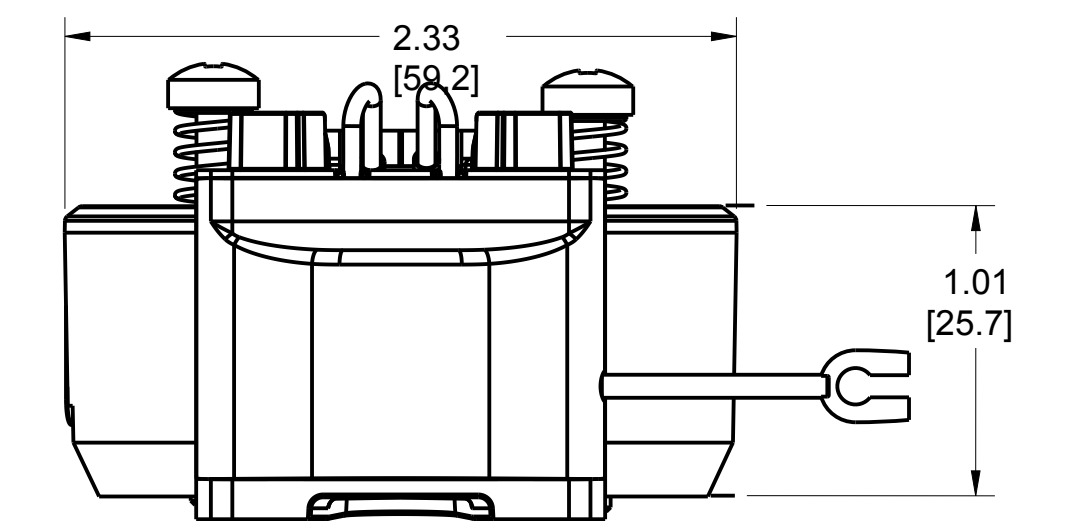
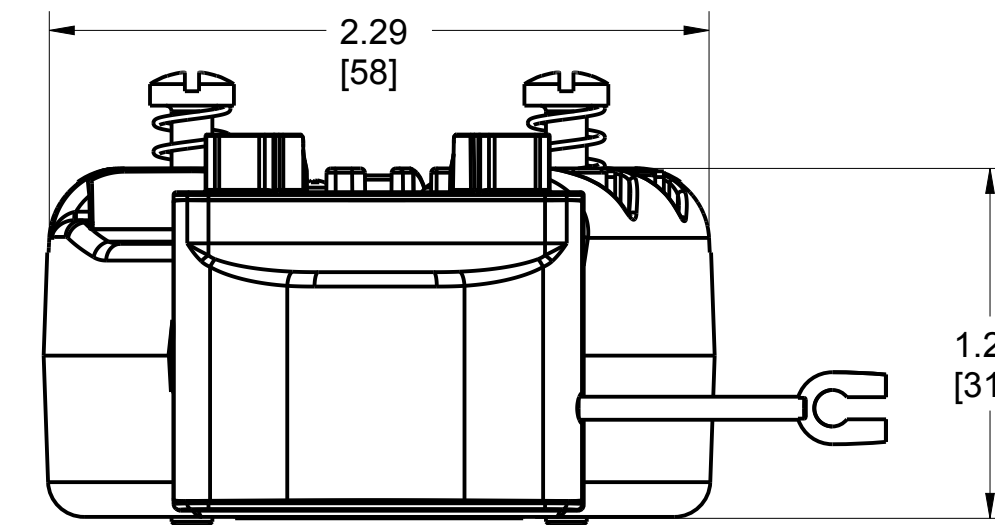
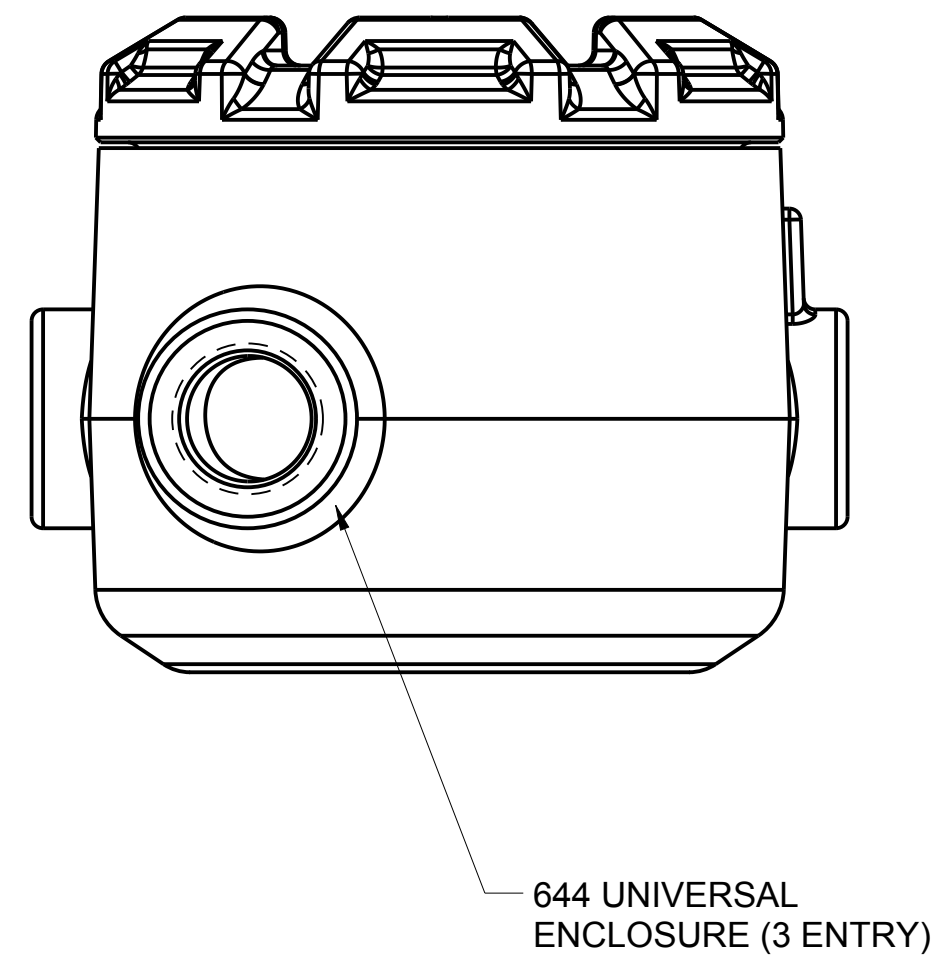
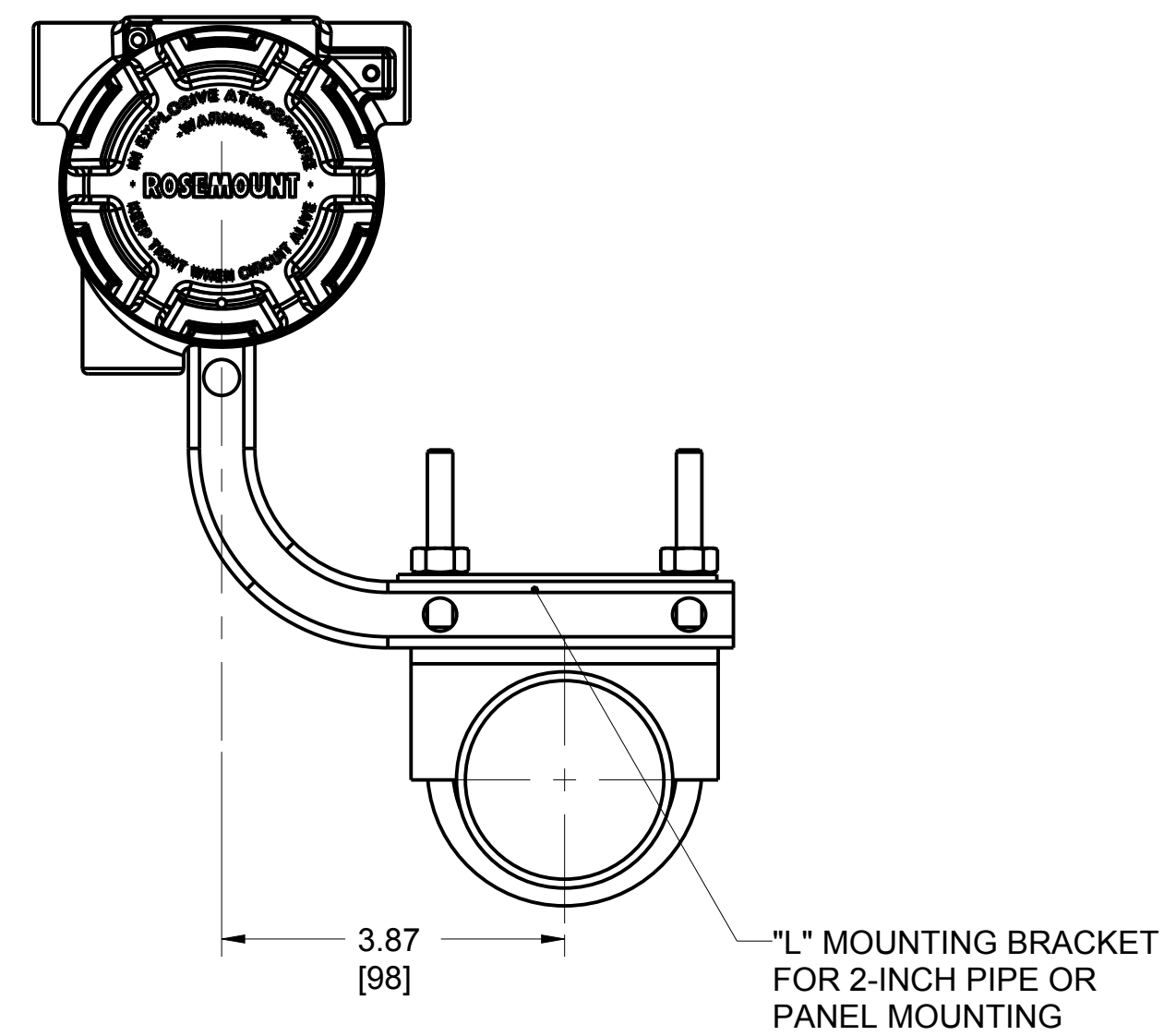
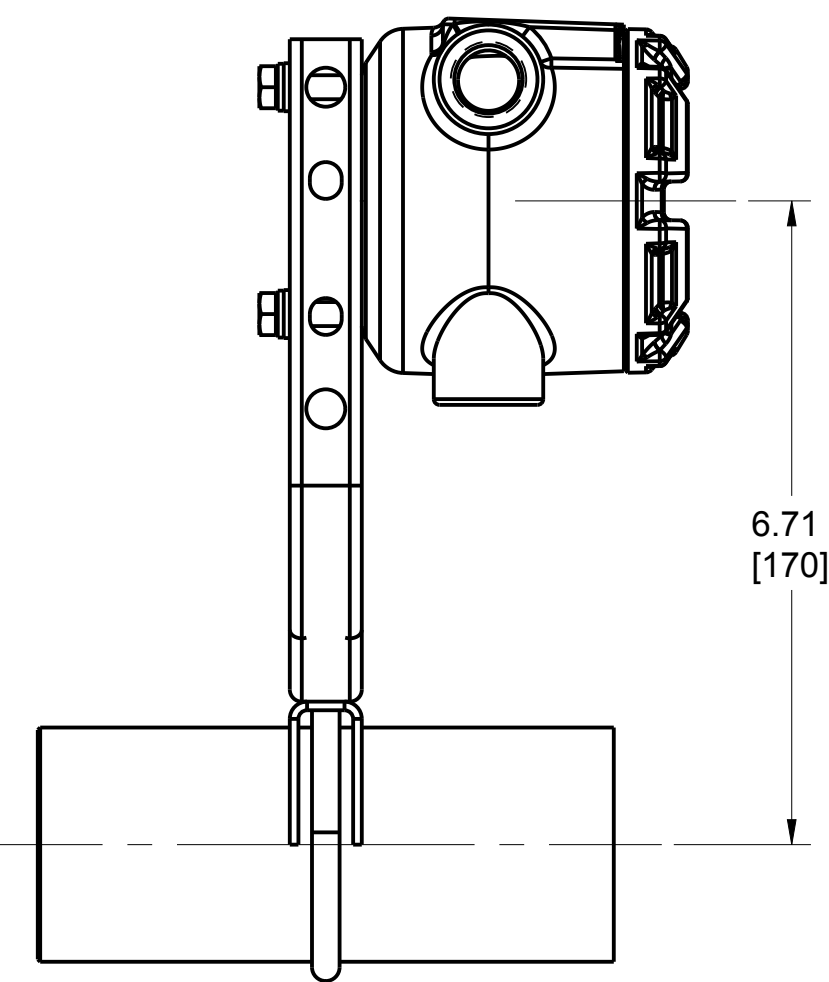


HART TRANSIENT PROTECTION

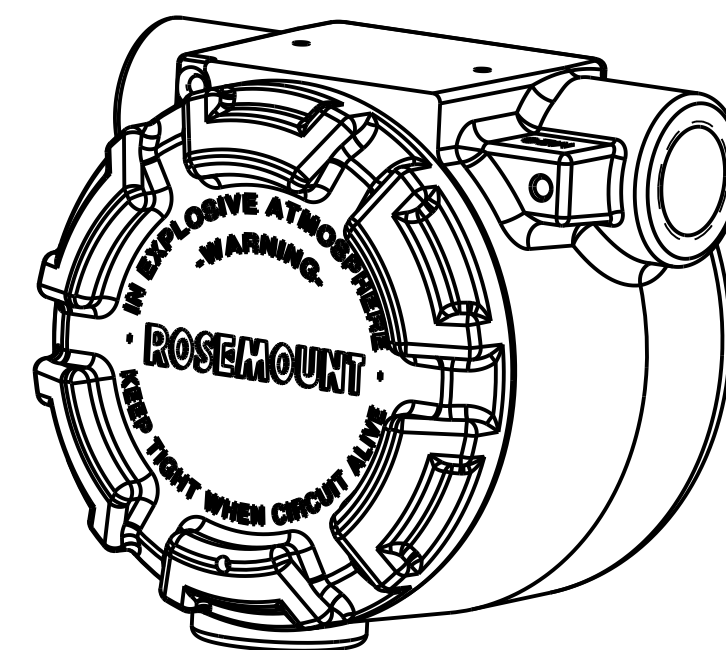
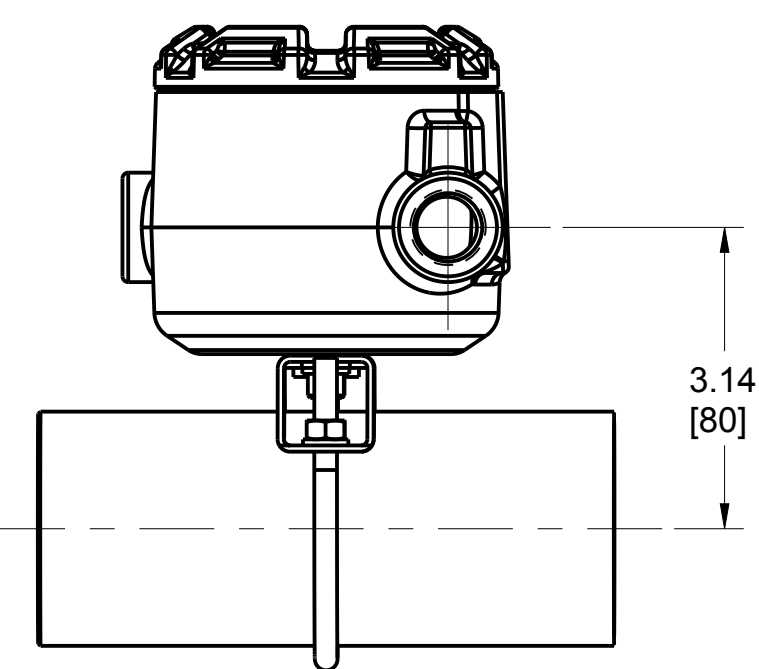
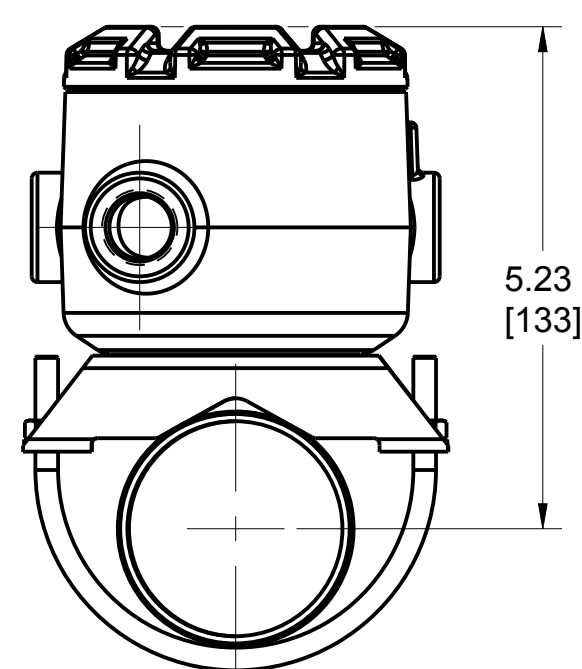
FIELDBUS TRANSIENT PROTECTION



B5 BRACKET MOUNTING FOR UNIVERSAL MOUNT (3 ENTRIES)



B4 BRACKET MOUNTING FOR UNIVERSAL MOUNT (3 ENTRIES)



©2015 ROSEMOUNT INC. ROSEMOUNT INC. CERTIFIES THIS DRAWING AS ACCURATE IN ACCORDANCE WITH ROSEMOUNT ENGINEERING SPECIFICATIONS. UNIT NOTES IN INCHES (mm). REFERENCE ROSEMOUNT PRODUCT SPECIFICATIONS. CLICK HERE	3RD ANGLE	SIZE D	SCALE NTS
	<b>EMERSON</b>		
	TITLE <b>ROSEMOUNT 644          TYPE I DRAWING</b>		
	DR. J. ARMSTRONG 2/12/17	DRAWING NO.	<b>00644-0011</b>
APP'D M. DOBRATZ 2/14/17	SHEET 2 OF 5		
CAD MAINTAINED, (PROE)			

ROSEMOUNT 644 TEMPERATURE TRANSMITTER  
ROSEMOUNT CONNECTION HEAD

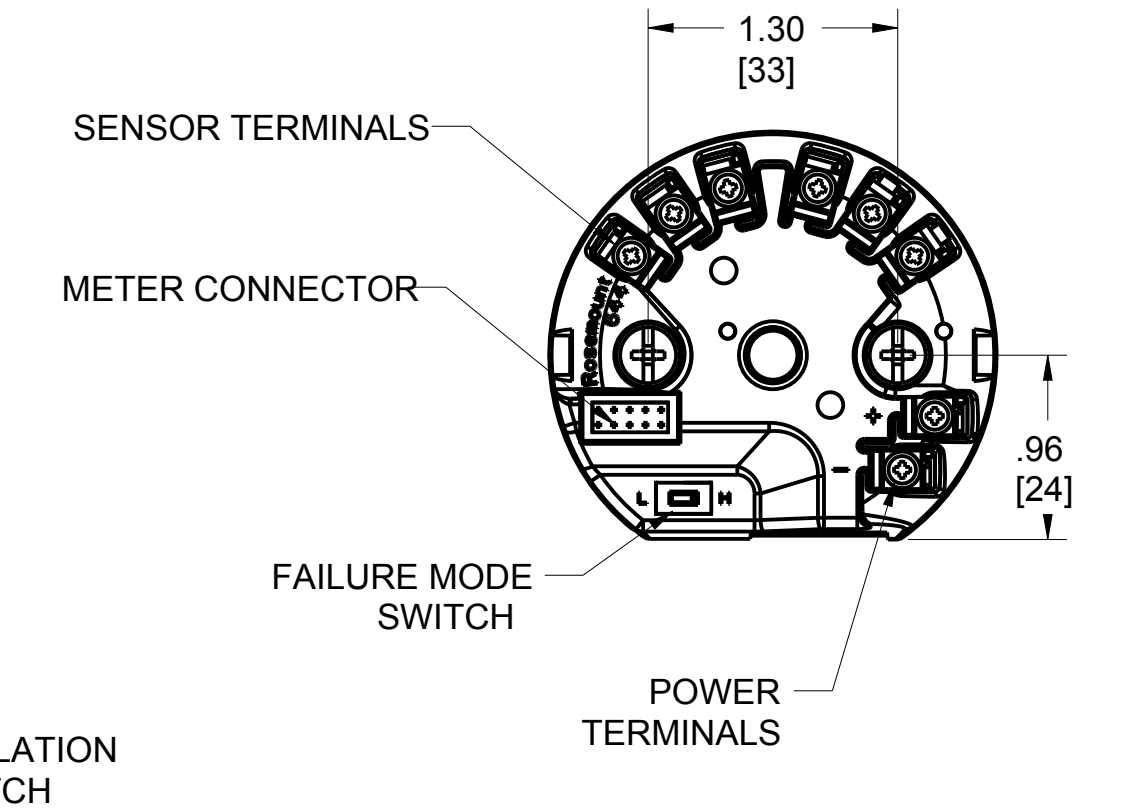
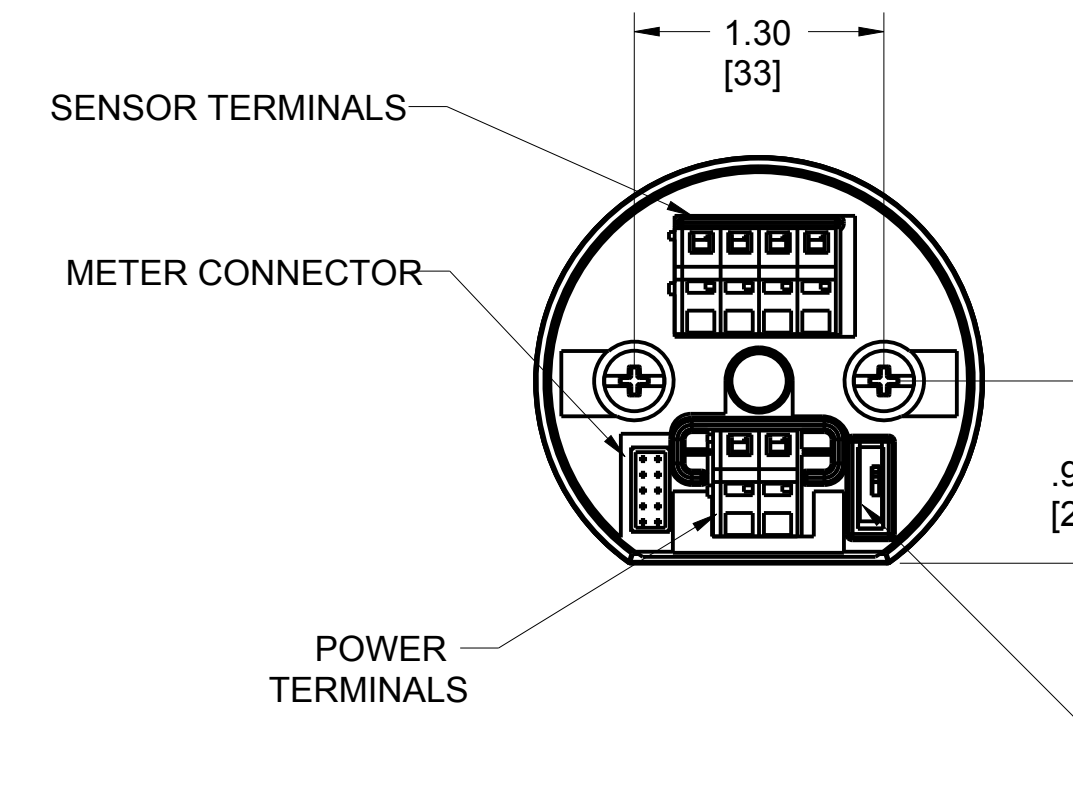
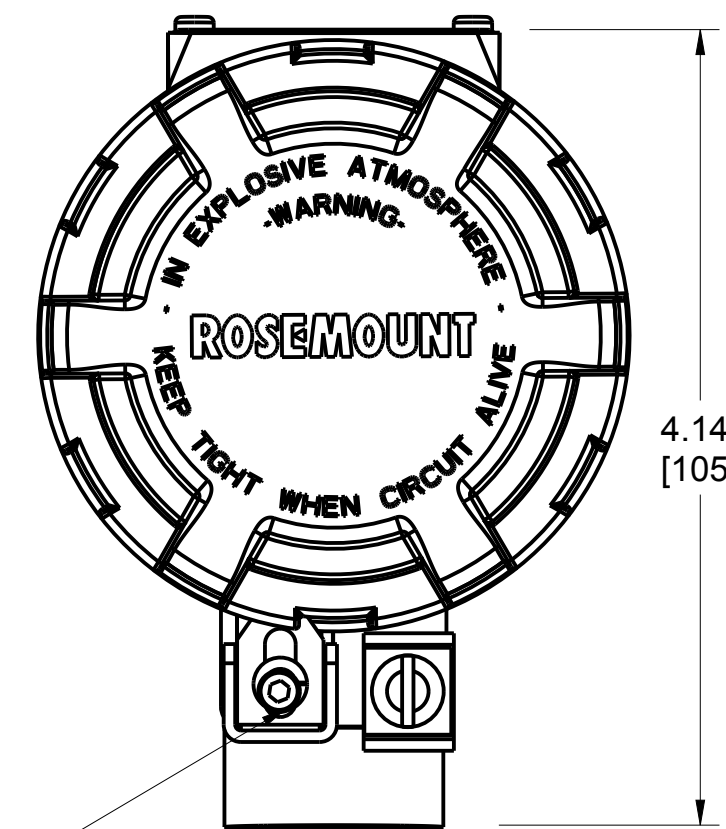
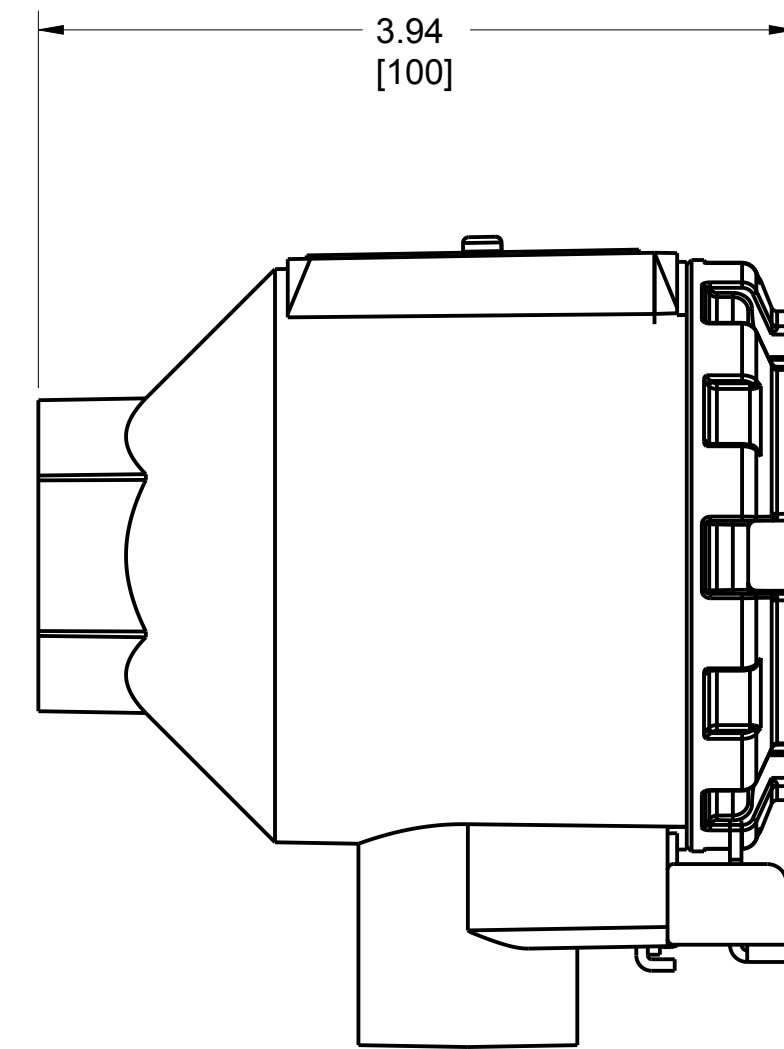
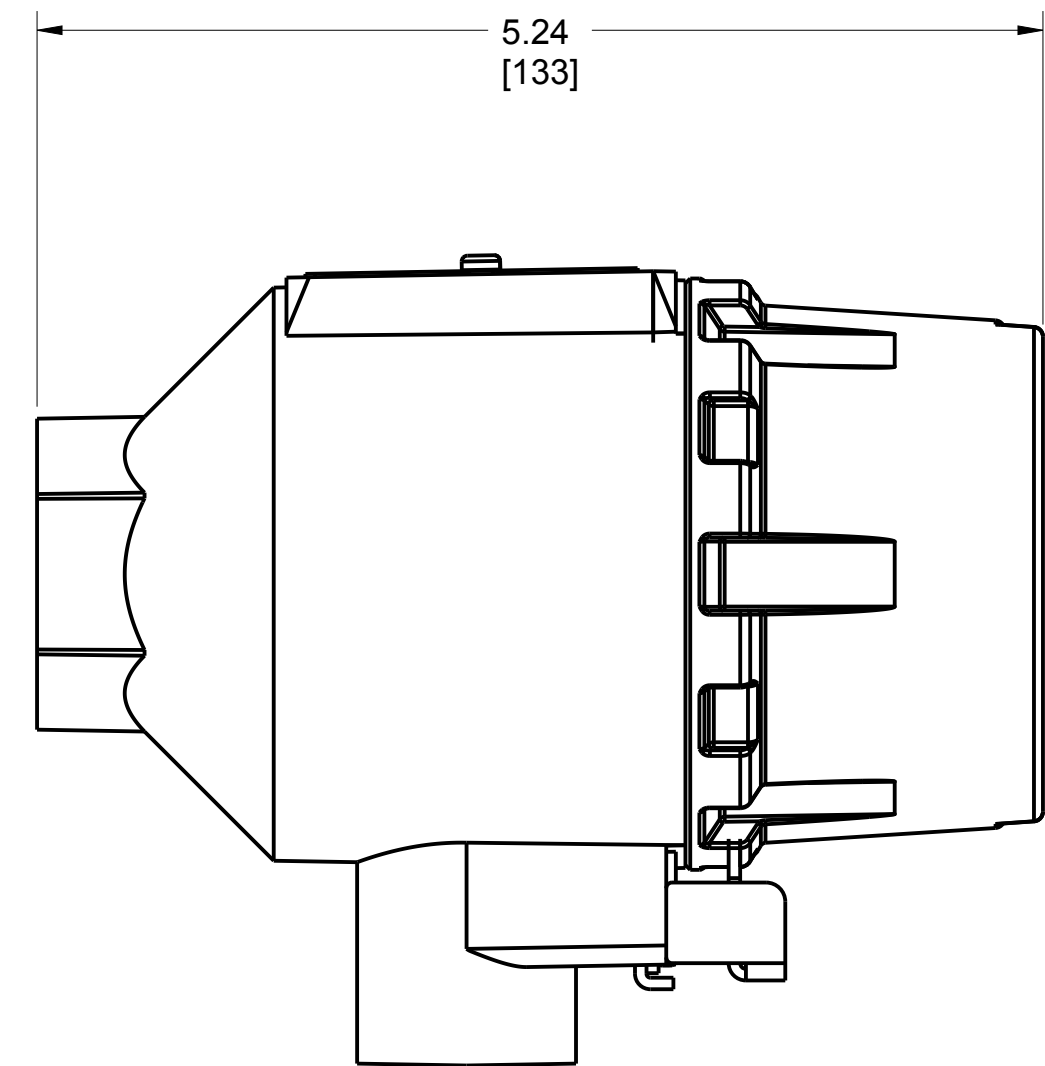
SHOWN WITHOUT ENCLOSURE

SHOWN WITH OPTIONAL DIGITAL DISPLAY

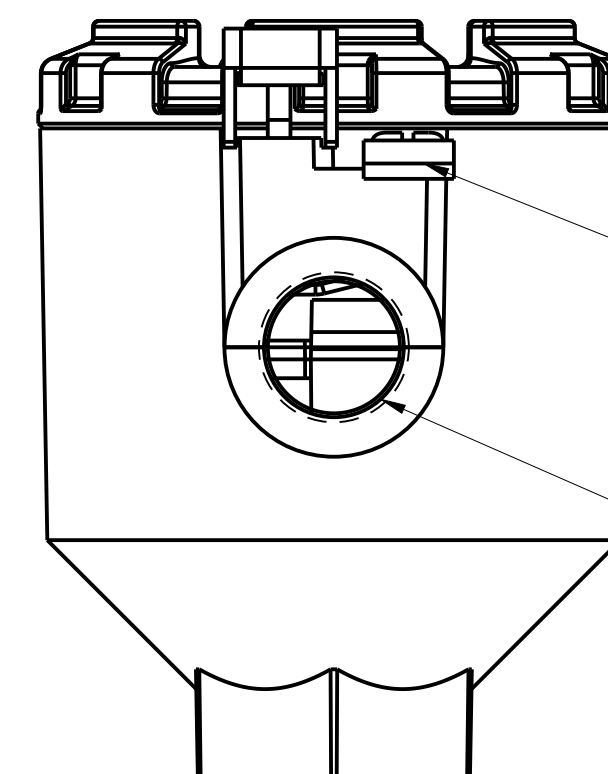
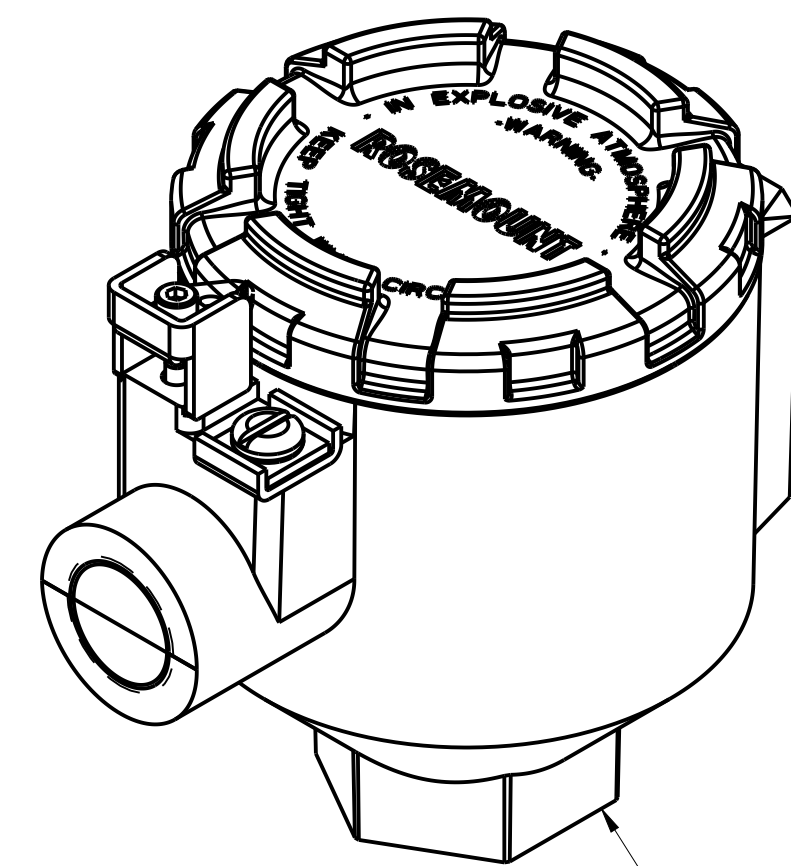
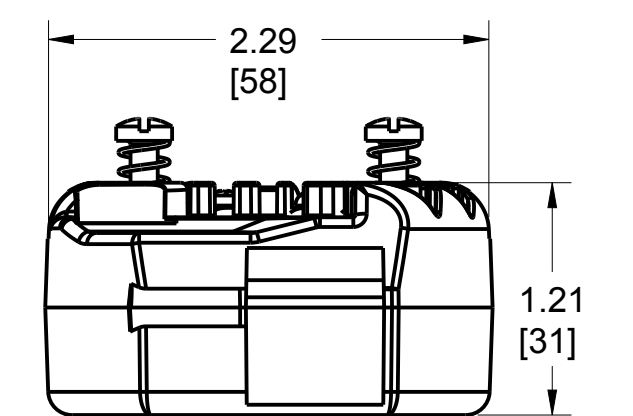
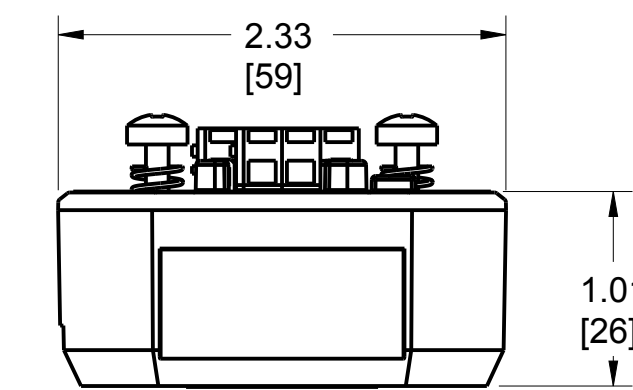
SHOWN WITH ENCLOSURE

FIELDBUS/PROFIBUS

HART (ENHANCED)



COVER CLAMP  
(OPTIONAL)



EXTERNAL GROUND SCREW  
(OPTIONAL)

CONDUIT CONNECTION

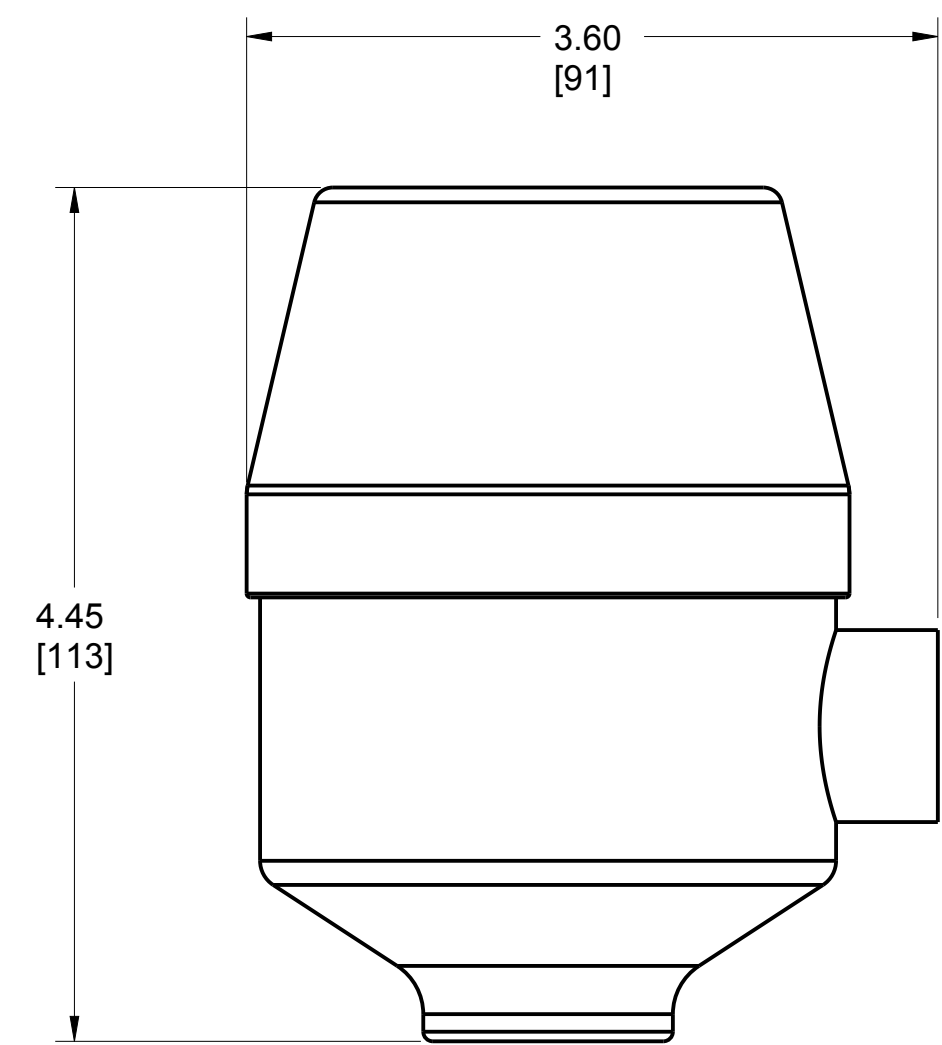
644 ROSEMOUNT CONNECTION HEAD

©2015 ROSEMOUNT INC. ROSEMOUNT INC. CERTIFIES THIS DRAWING AS BEING IN ACCORDANCE WITH ROSEMOUNT ENGINEERING SPECIFICATIONS. UNIT NOTES IN INCHES (mm). REFERENCE ROSEMOUNT PRODUCT SPECIFICATIONS. CLICK HERE	3RD ANGLE	SIZE D	SCALE NTS
	TITLE <b>ROSEMOUNT 644 TYPE I DRAWING</b>		
	DR. J.ARMSTRONG 2/12/17	DRAWING NO.	00644-0011
APP'D M. DOBRATZ 2/14/17	SHEET 3 OF 5		

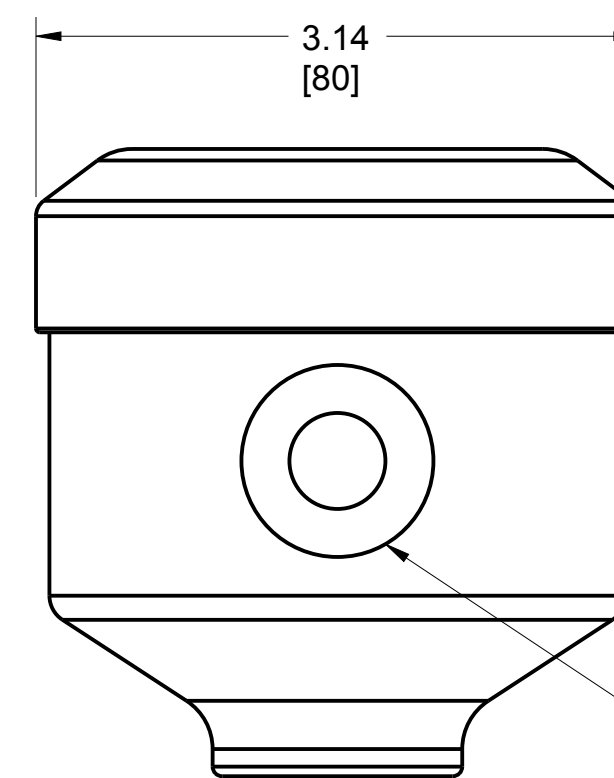
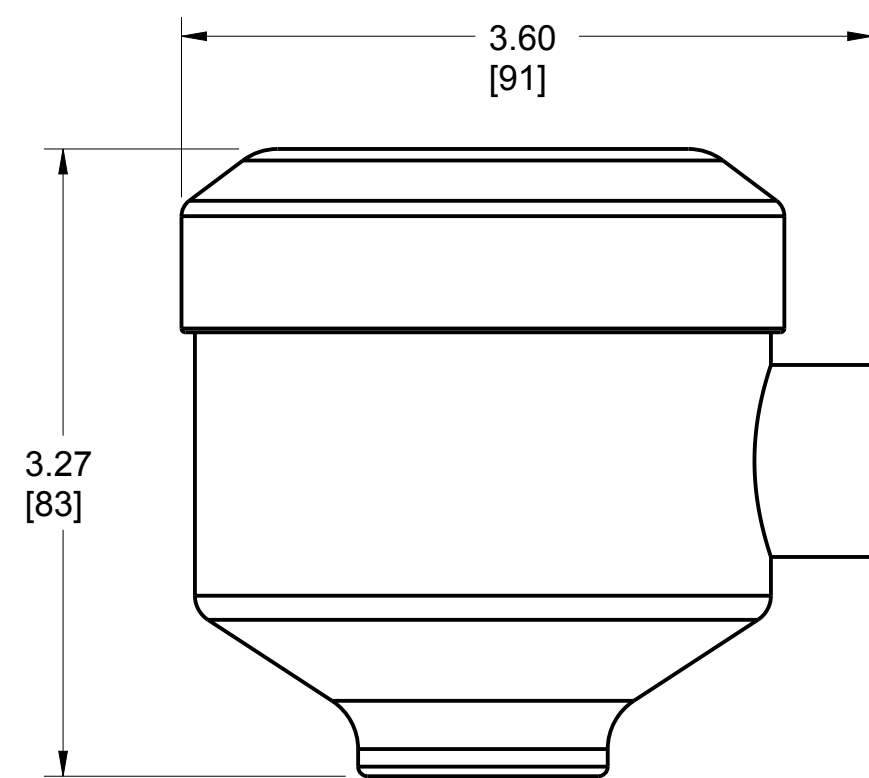
# ROSEMOUNT 644 HEAD MOUNT TEMPERATURE TRANSMITTER POLISHED STAINLESS STEEL CONNECTION HEAD

SHOWN WITHOUT ENCLOSURE

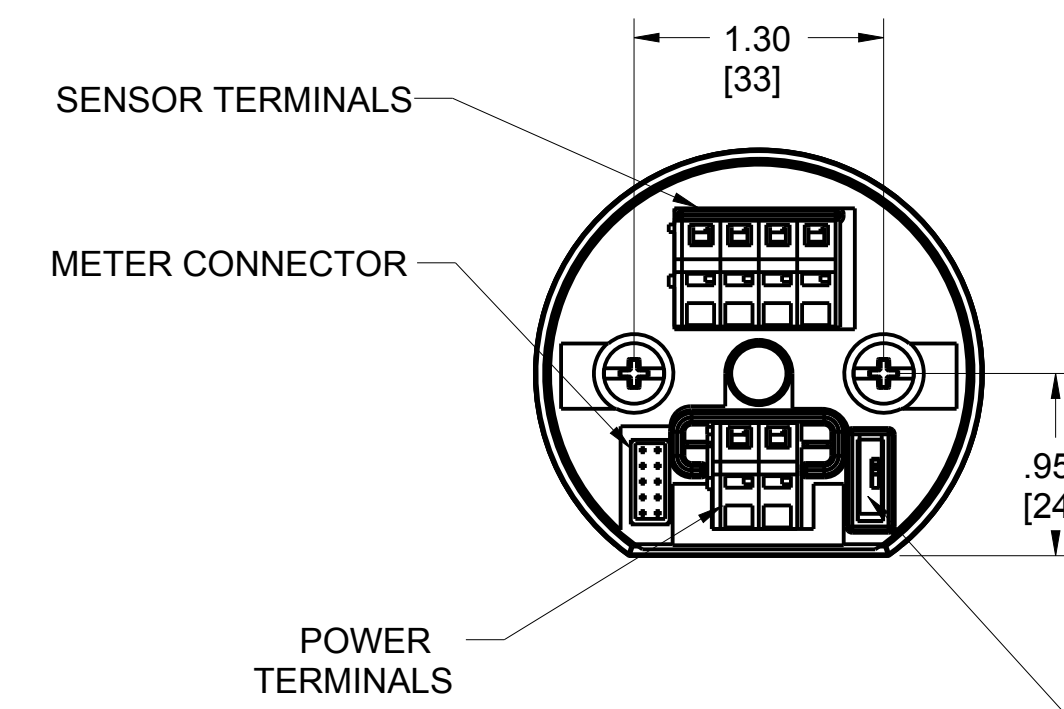
SHOWN WITH OPTIONAL DIGITAL DISPLAY



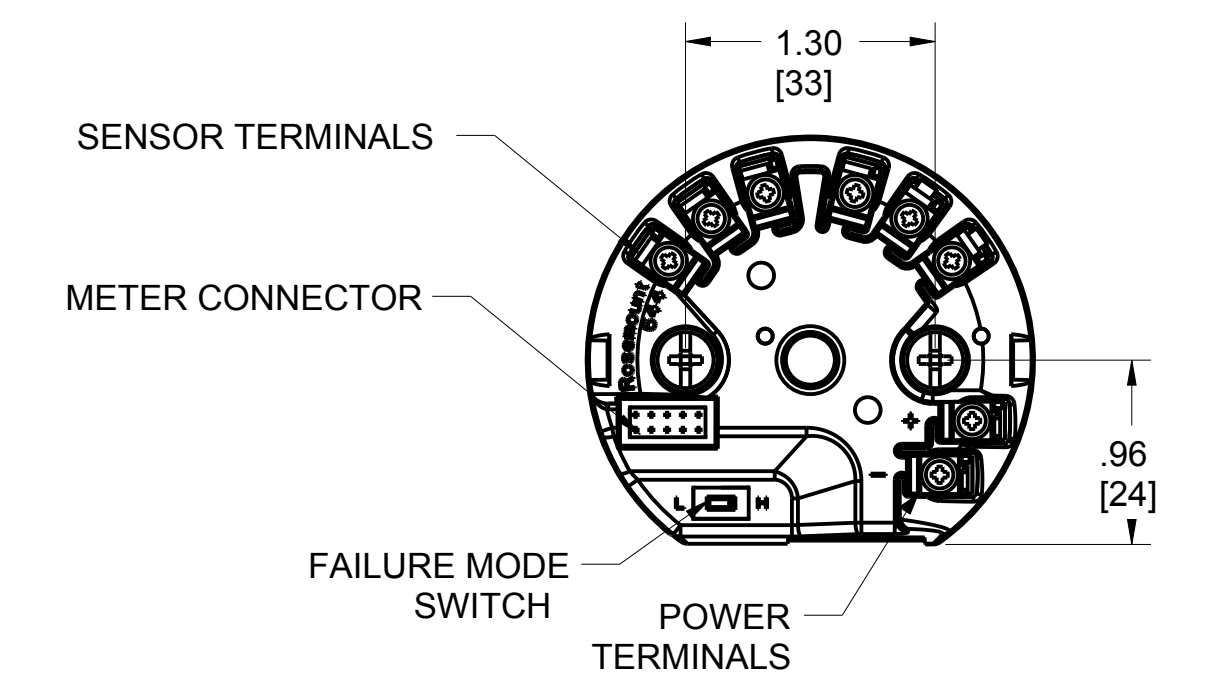
SHOWN WITH ENCLOSURE



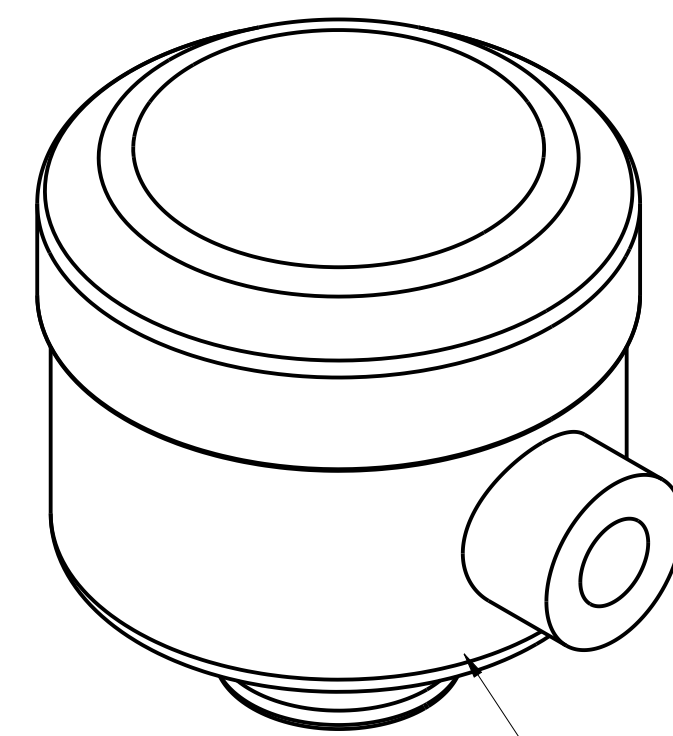
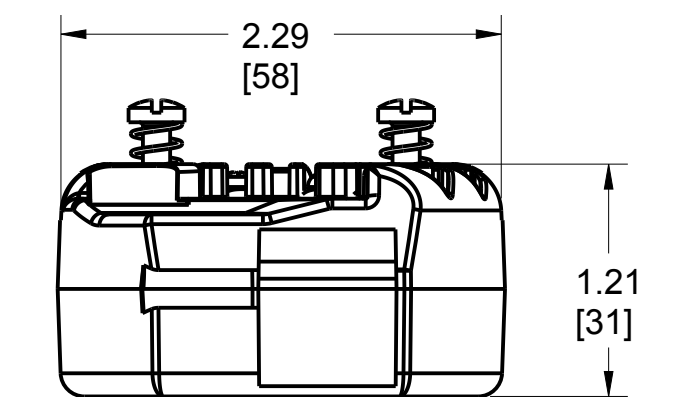
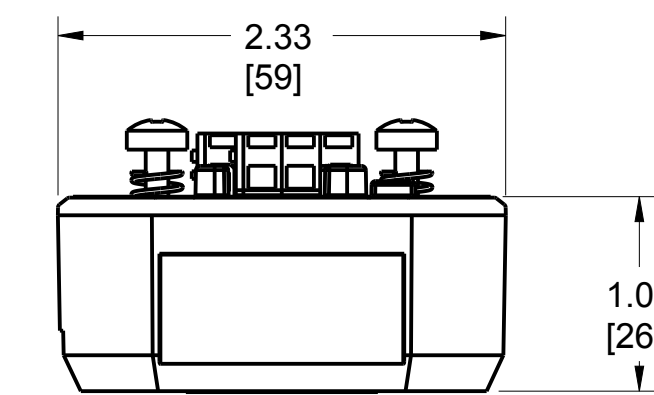
FIELDBUS/PROFIBUS



HART (ENHANCED)



CONDUIT CONNECTION

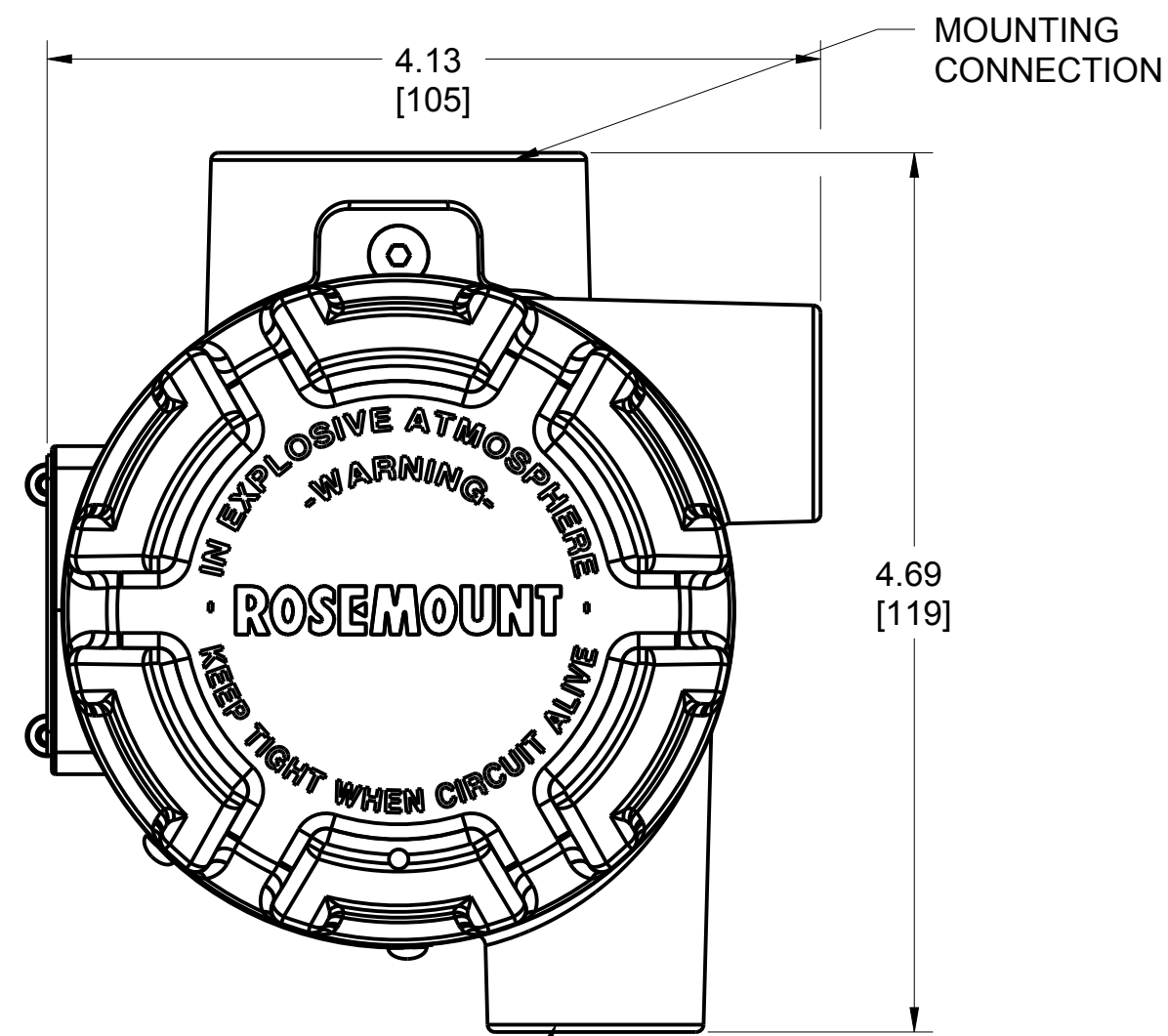
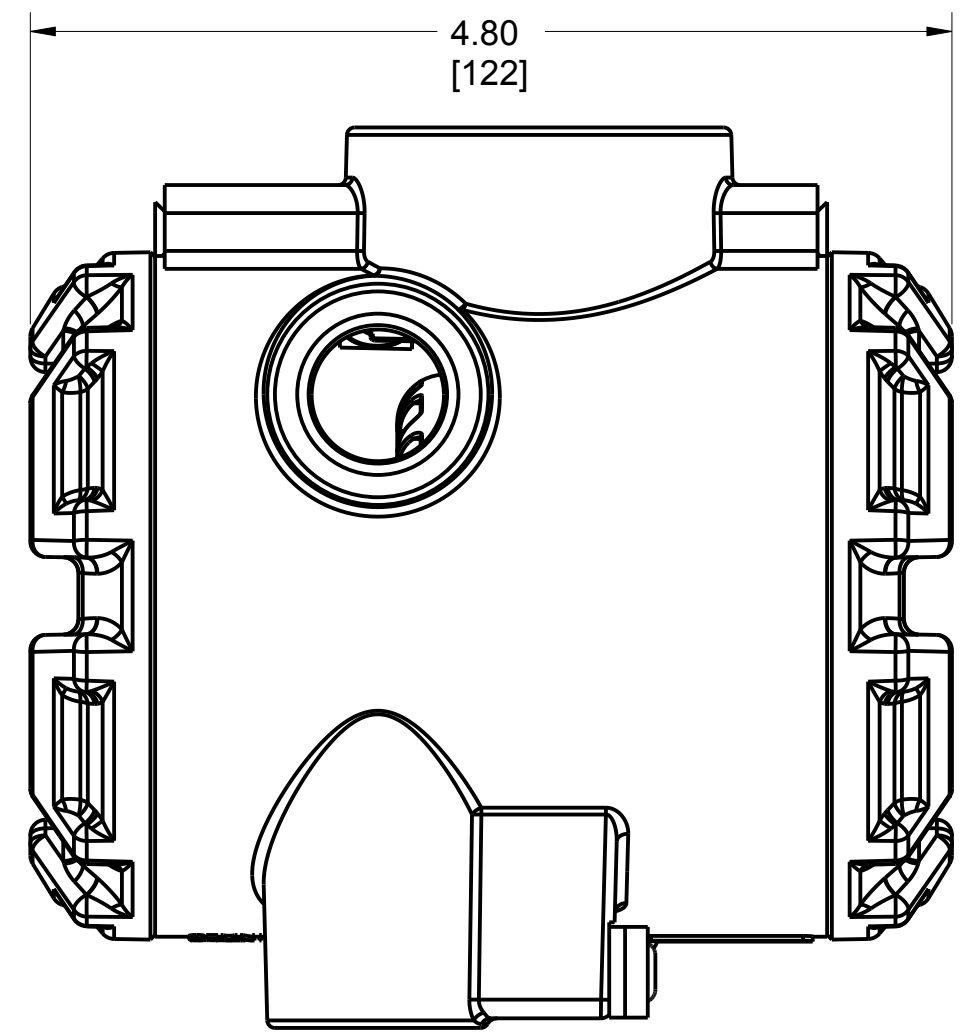


644 STAINLESS STEEL  
CONNECTION HEAD

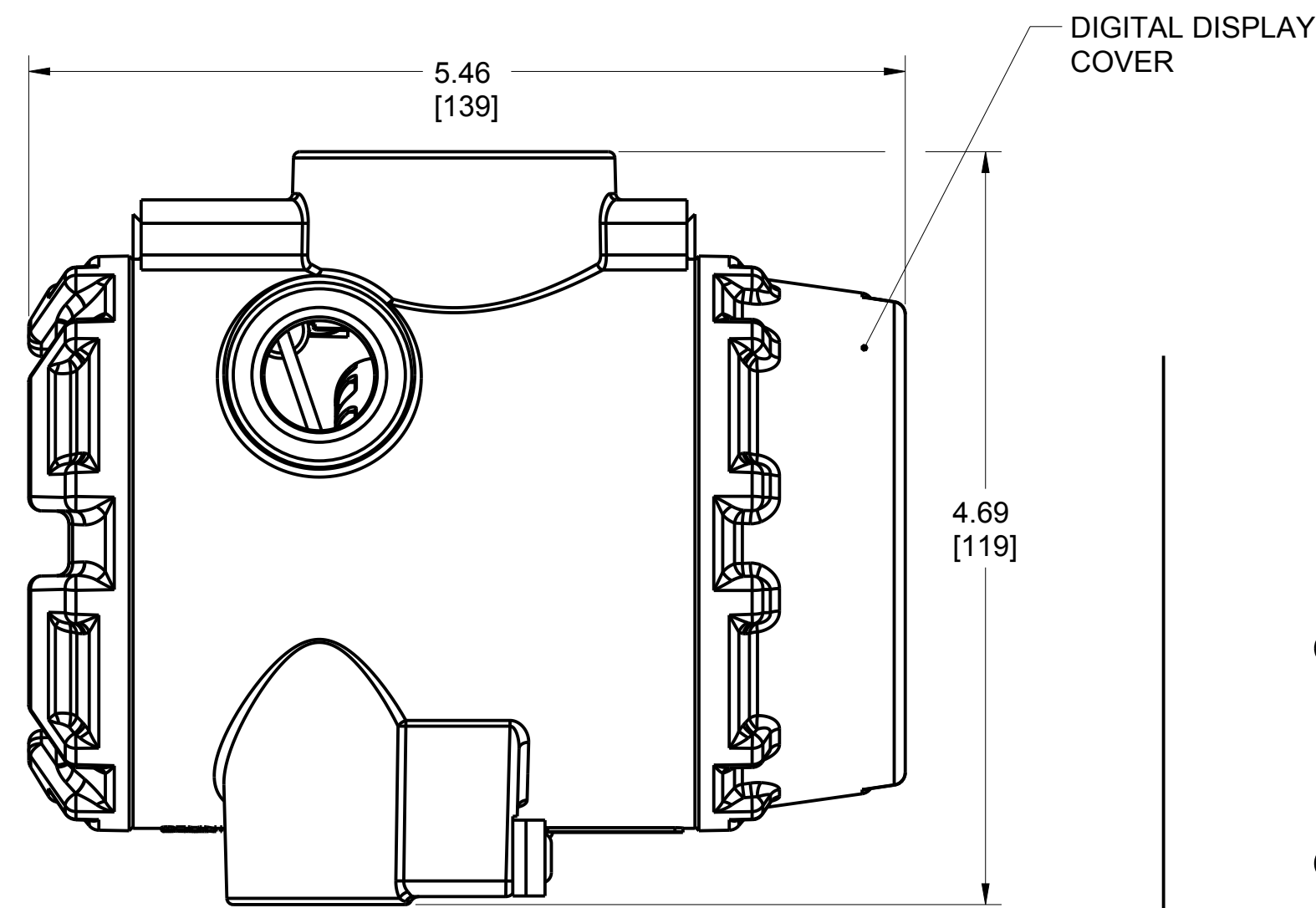
©2015 ROSEMOUNT INC. ROSEMOUNT INC. CERTIFIES THIS DRAWING TO THE REQUIREMENTS OF THE ACCORDANCE WITH ROSEMOUNT ENGINEERING SPECIFICATIONS. UNIT NOTES IN INCHES (mm). REFERENCE ROSEMOUNT PRODUCT SPECIFICATIONS. CLICK HERE		3RD ANGLE	SIZE D	SCALE NTS	
	TITLE <b>ROSEMOUNT 644 TYPE I DRAWING</b>				
	DR. J.ARMSTRONG	2/12/17	DRAWING NO.	00644-0011	
	APP'D M. DOBRATZ	2/14/17	SHEET 4 OF 5		

ROSEMOUNT 644 FIELD MOUNT TEMPERATURE TRANSMITTER  
 FIELD MOUNT CONNECTION HEAD (2 ENTRIES)

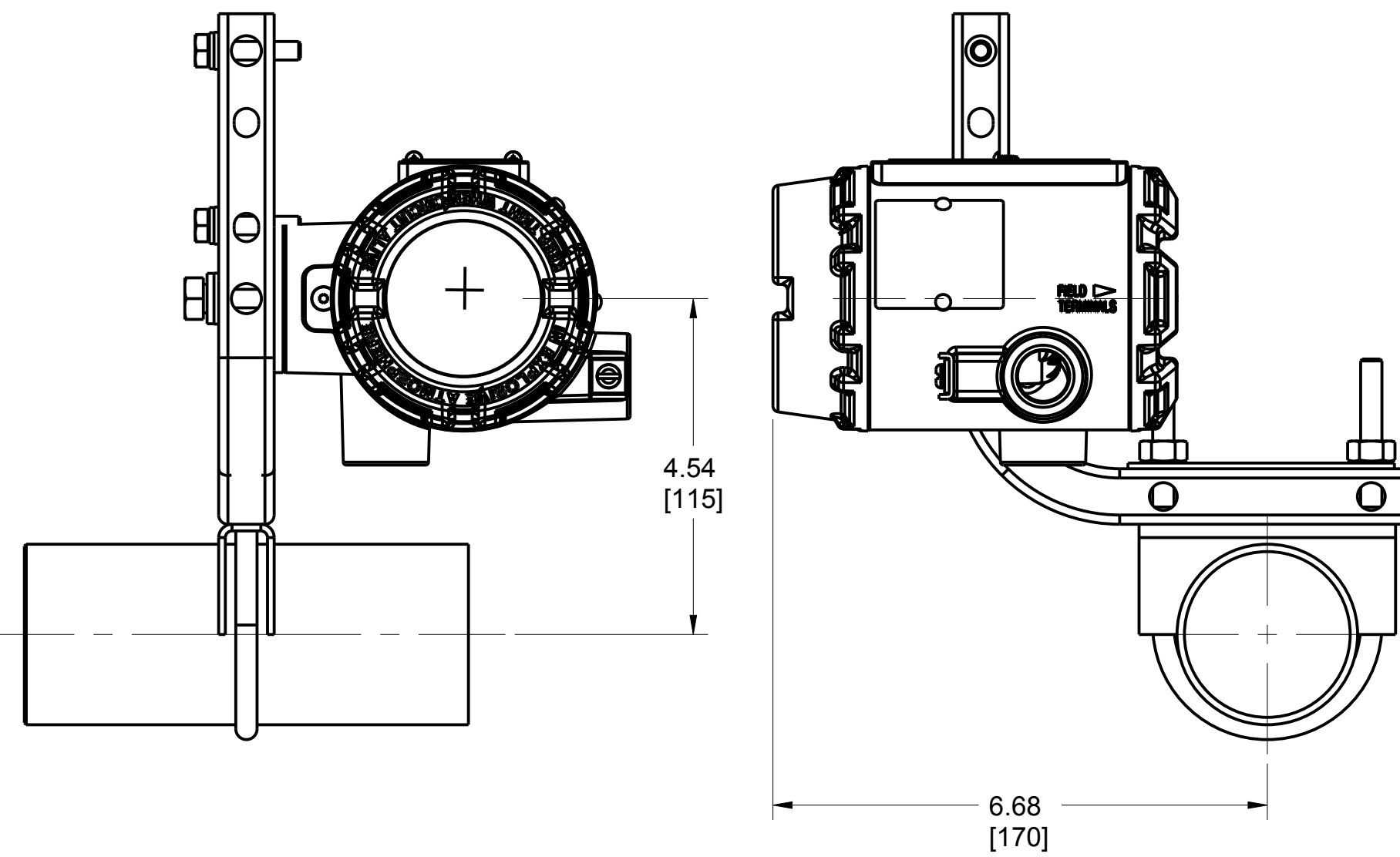
SHOWN WITH ENCLOSURE



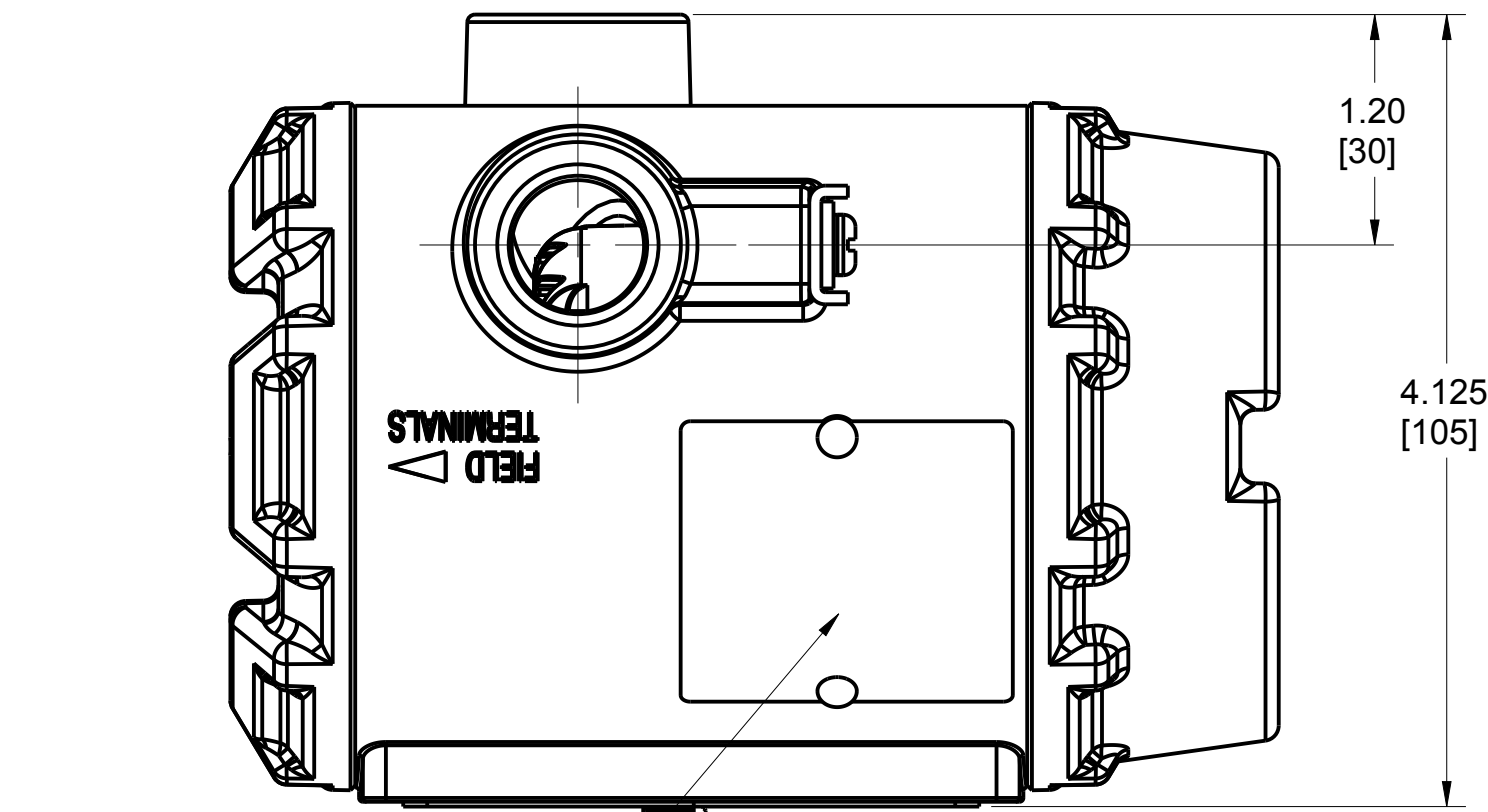
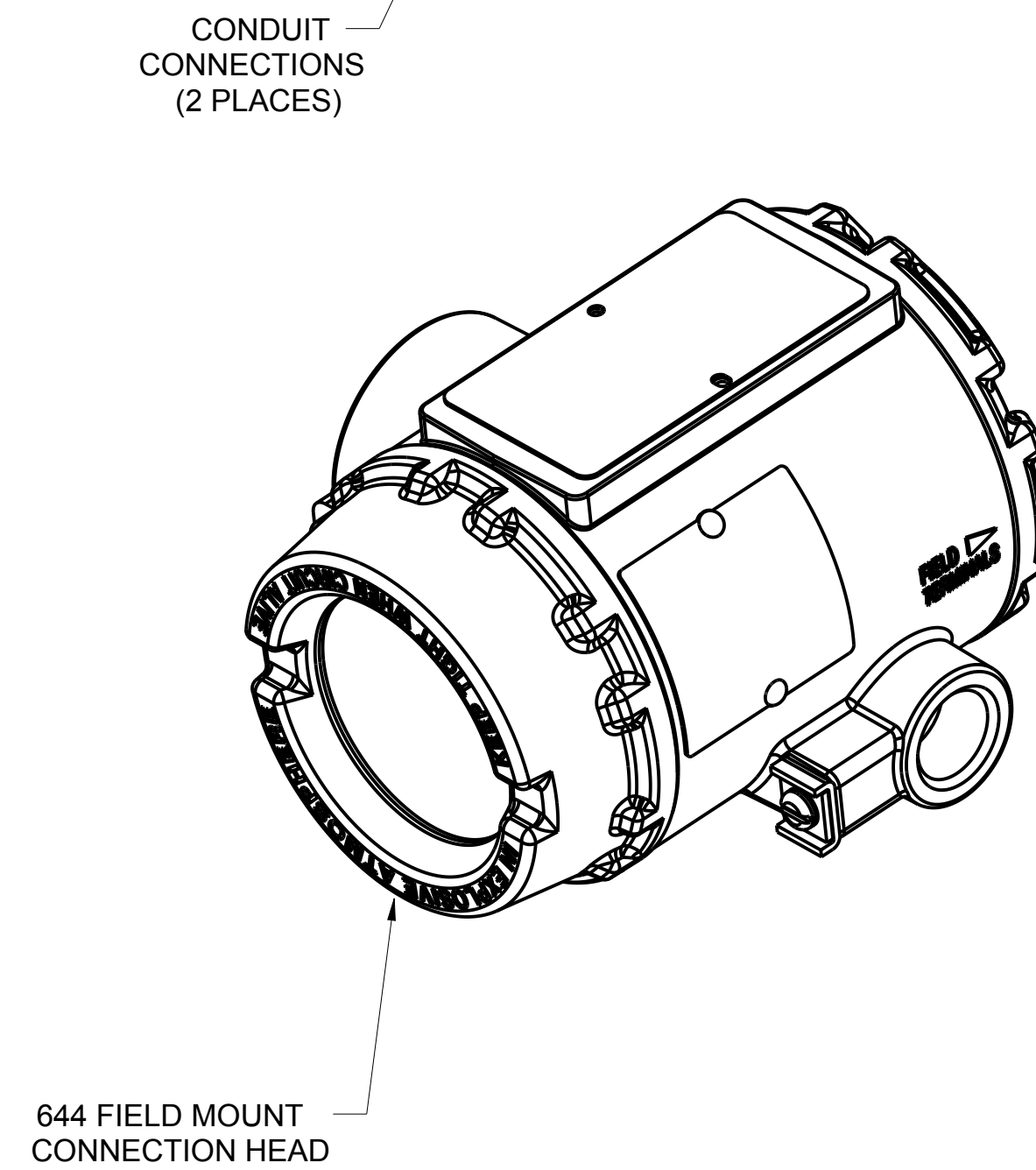
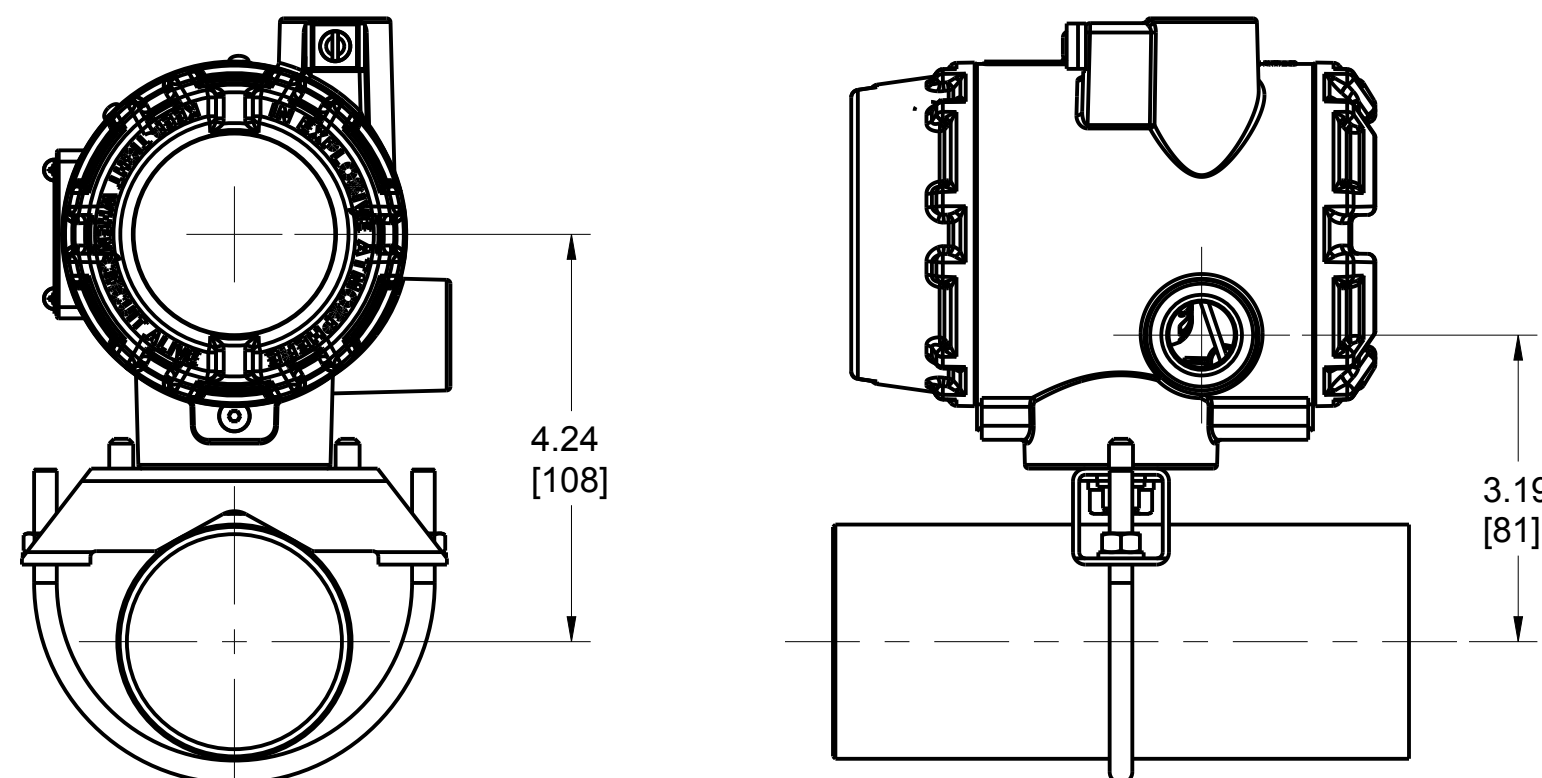
SHOWN WITH OPTIONAL DIGITAL DISPLAY



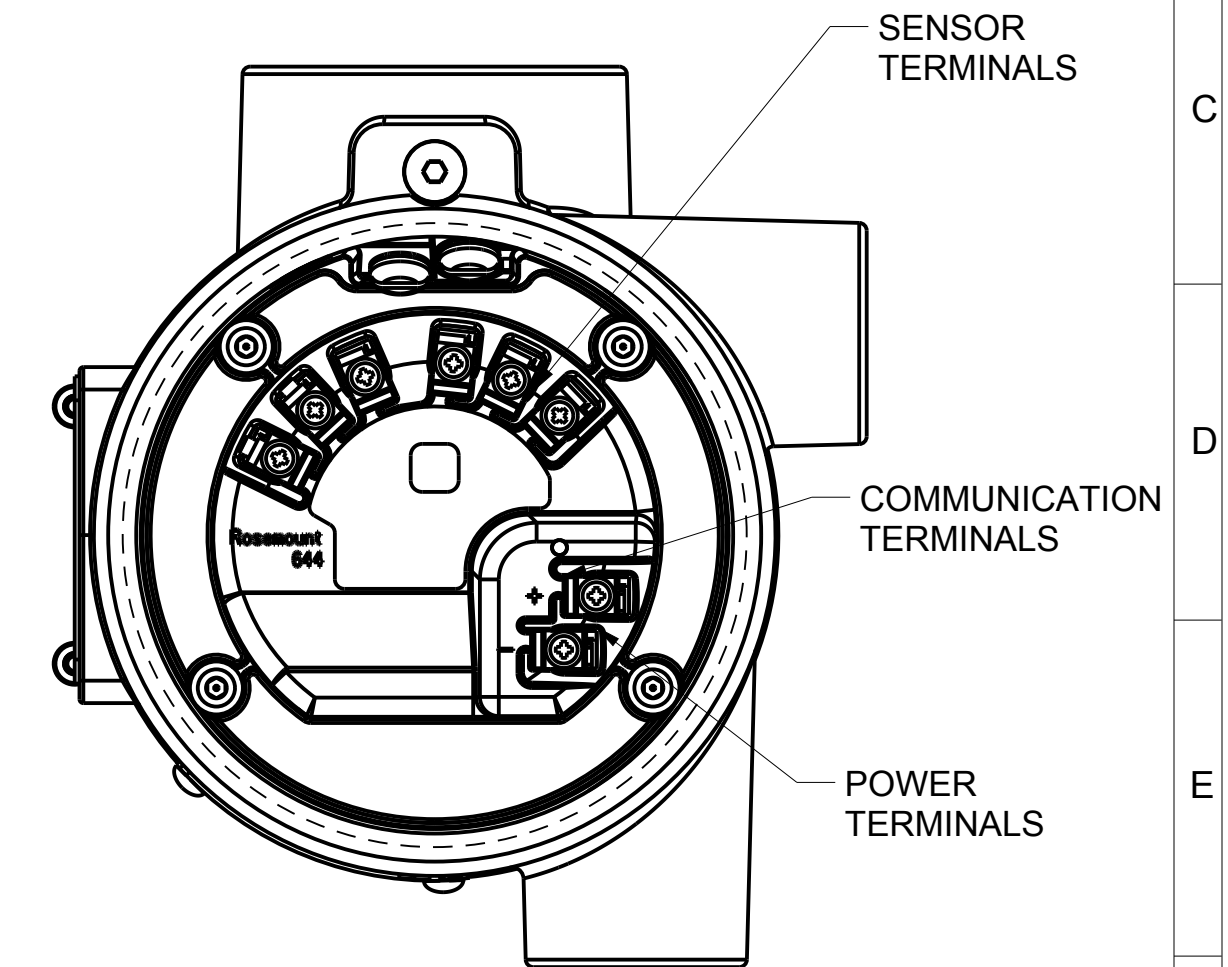
B5 BRACKET MOUNTING FOR FIELD MOUNT



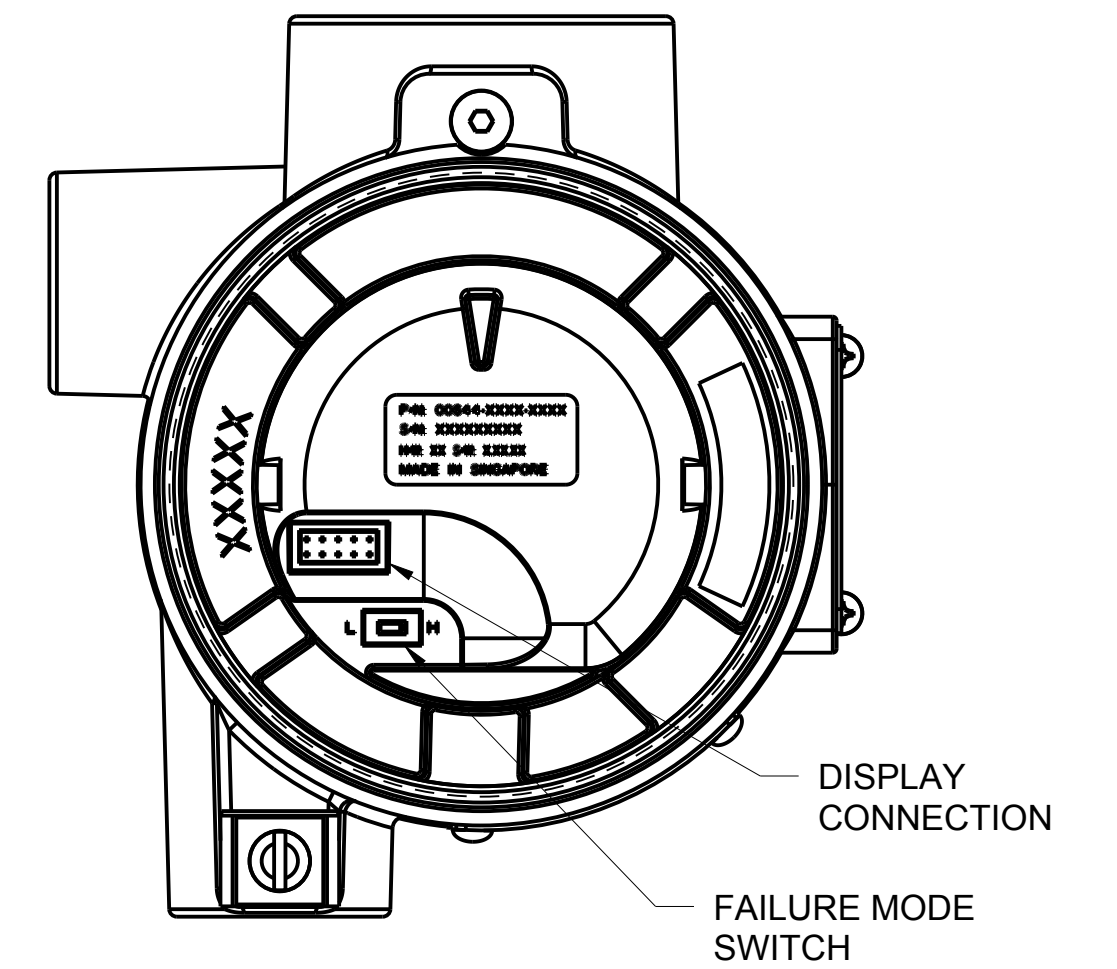
B4 BRACKET MOUNTING FOR FIELD MOUNT



TERMINAL LOCATION



DISPLAY CONNECTION LOCATION



©2015 ROSEMOUNT INC. ROSEMOUNT INC. CERTIFIES THIS PRODUCT TO THE REQUIREMENTS OF THE STANDARD IN ACCORDANCE WITH THE IEC 60079-0 AND IEC 60079-1 STANDARDS FOR EXPLLOSIVE ATMOSPHERES. ROSEMOUNT ENGINEERING SPECIFICATIONS. UNIT NOTES IN INCHES (mm). REFERENCE ROSEMOUNT PRODUCT SPECIFICATIONS. CLICK HERE	3RD ANGLE	SIZE D	SCALE NTS	
	<b>EMERSON</b>			
	TITLE <b>ROSEMOUNT 644                  TYPE I DRAWING</b>			
	DR. JARMSTRONG	2/12/17	DRAWING NO.	00644-0011
	APP'D M. DOBRATZ	2/14/17	CAD MAINTAINED, (PROE)	