

THIS SHEET FOR 8750W REMOTE TRANSMITTER WITH COMPONENT CABLES

MODEL 8750W TRANSMITTER

REVISION TABLE			
REVISION	ECO NO.	APP'D	DATE
AC	TBD	-	-
DESCRIPTION			
P.3 - CORRECT COIL WIRING AT 8750W TRANSMITTER TERMINAL BLOCK			

SEE WIRING NOTE FOR DRAIN/SHIELD CONNECTION AT FLOWTUBE

SEE TEXT DETAIL

DRAIN/SHIELD CONNECTED TO TERMINAL 3 (CHASSIS GROUND) ON TRANSMITTER END. SEE DETAIL 'B' FOR COIL WIRE CONSTRUCTION.

MODEL 8750W FLANGED FLOW TUBES

DRAIN SHIELD CONNECTED TO CHASSIS GROUND ON TRANSMITTER END. SEE DETAIL 'A' FOR ELECTRODE WIRE CONSTRUCTION.

SEE WIRING NOTE FOR DRAIN/SHIELD CONNECTION AT FLOWTUBE

MODEL 8750W WAFER FLOWTUBES

AC/DC WARNING LABEL

POWER INPUT TERMINALS:
90-250 VAC RMS FOR AC POWER MODELS
12-42 VDC FOR DC POWER MODELS

GROUNDING LUGS

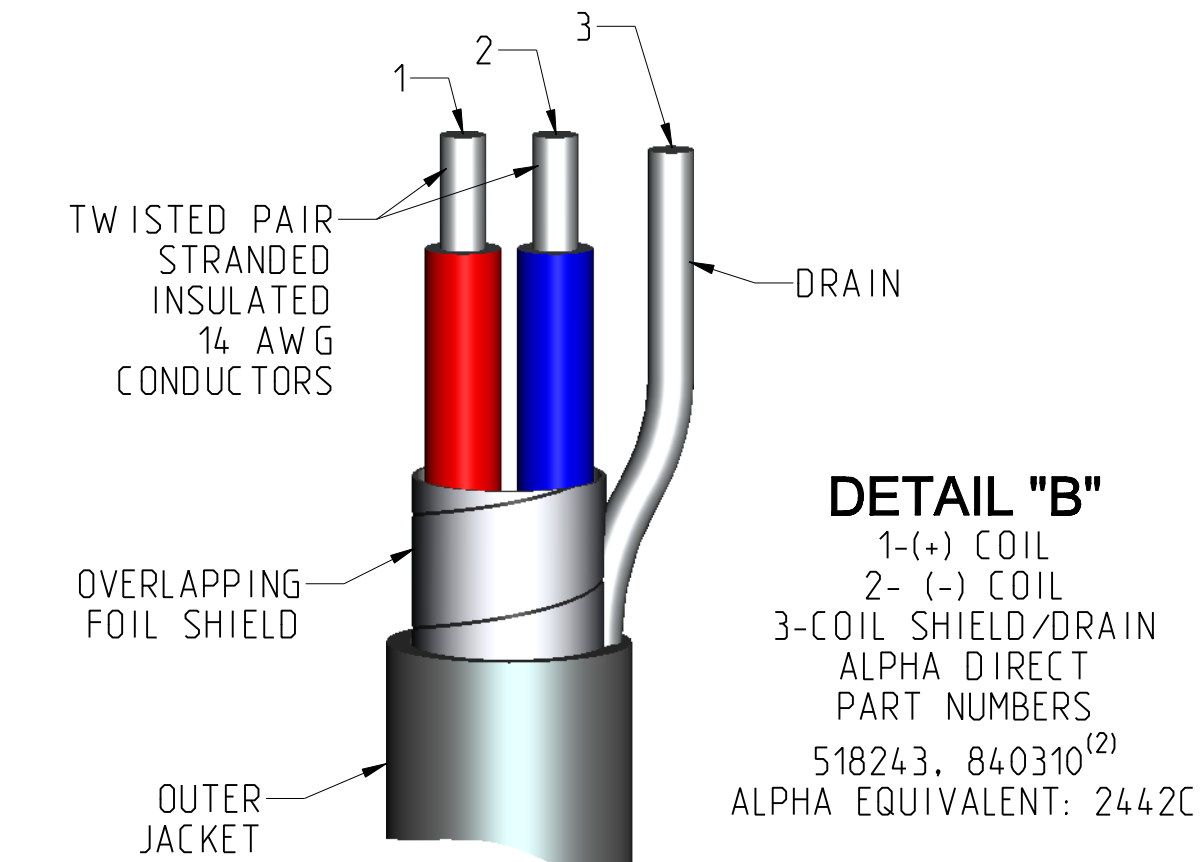
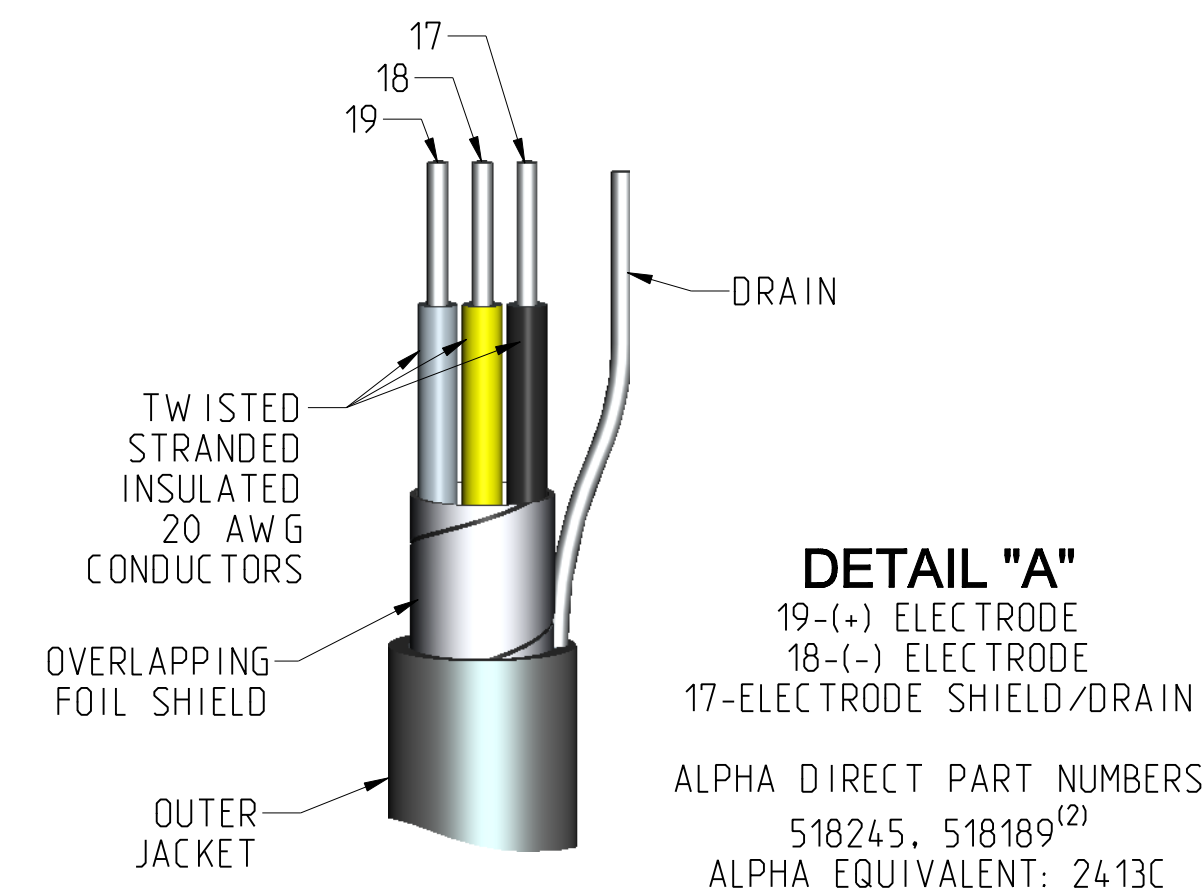
OPTIONAL DIGITAL INPUT DIGITAL OUTPUT (DI/DO)

8732EM WIRING DIAGRAM	
TERMINAL	DESCRIPTION
1	ANALOG
2	ANALOG
3	PULSE (-)
4	PULSE (+)
5	DI/DO 1 (-)
6	DI/DO 1 (+)
7	DI/DO 2 (-)
8	DI/DO 2 (+)
9	DC (-), AC N/L2
10	DC (+), AC L1

INTERNAL POWER
TERMINAL 1(+)
TERMINAL 2(-)
EXTERNAL POWER
TERMINAL 1(-)
TERMINAL 2(+)

ANALOG 4-20 mA

8750W TRANSMITTER OUTPUT AND POWER WIRING



TERMINAL NUMBER AND CONDUCTOR INSULATOR WIRE COLOR		
ROSEMOUNT CABLING KITS 08732-0065-XXXX	ALPHA PART NUMBERS 518245, 518189 ⁽²⁾	ALPHA PART NUMBERS 518243, 840310 ⁽²⁾
19 WHITE	19 WHITE	
18 YELLOW	18 YELLOW	
17 BLACK	17 BLACK	
1 RED	-	1 RED
2 BLUE	-	2 BLUE
3 DRAIN (SHIELD)	-	3 DRAIN (SHIELD)

NOTES:
STANDARD TEMPERATURE: RATED (-20°C TO 75°C)
(2) EXTENDED TEMPERATURE (RATED -50°C TO 125°C)

WIRING NOTE

DRAIN/SHIELD OF COIL (SC TERMINAL 3) AND DRAIN/SHIELD OF ELECTRODE WIRING IS NOT CONNECTED ON FLOWTUBE END IN TYPICAL INSTALLATIONS.

AN ADDITIONAL CORRECTLY SIZED SAFETY EARTH CONDUCTOR WILL BE REQUIRED ON INSTALLATIONS REQUIRING SHIELDS GROUNDED TO CHASSIS/EARTH AT BOTH ENDS OF THE REMOTE CABLE. THERE MUST BE 1 OHM OR LESS OF RESISTANCE AT EACH END OF THE SAFETY GROUND AT THE DEVICE WITH RESPECT TO THE EARTH SAFETY GROUND.

SEE DETAIL "A" FOR ELECTRODE WIRE CONSTRUCTION
SEE DETAIL "B" FOR COIL DRIVE WIRE CONSTRUCTION

CONFIDENTIAL AND PROPRIETARY INFORMATION IS CONTAINED HEREIN AND MUST BE HANDLED ACCORDINGLY. ROSEMOUNT

EMERSON
10000 Emerson Boulevard - Chanhassen, MN 55317 USA

ROSEMOUNT
INSTALLATION DRAWING,
8750W TRANSMITTER WIRING

DR. N. BOND 10-30-16 DRAWING NO. 8750W-1504
APP'D N. MORALES 2-3-15

UNLESS OTHERWISE SPECIFIED DIMENSIONS IN INCHES (mm). REMOVE ALL BURRS AND SHARP EDGES.
-DEC TOLERANCES-
.X ± .1 (2.5)
.XX ± .02 (0.5)
.XXX ± .010 (0.25)
FRACTIONS ± 1/32
ANGLES ± 1°

SURFACE FINISH UNLESS OTHERWISE SPECIFIED 125/3RD ANGLE

SIZE D SCALE 5/4 AC

DO NOT SCALE PRINT CAD MAINTAINED (PRO/E) PRODUCT CODE - [] DOC TYPE - [] SHEET 1 OF 4

DRAWING NO. 8750W-1504

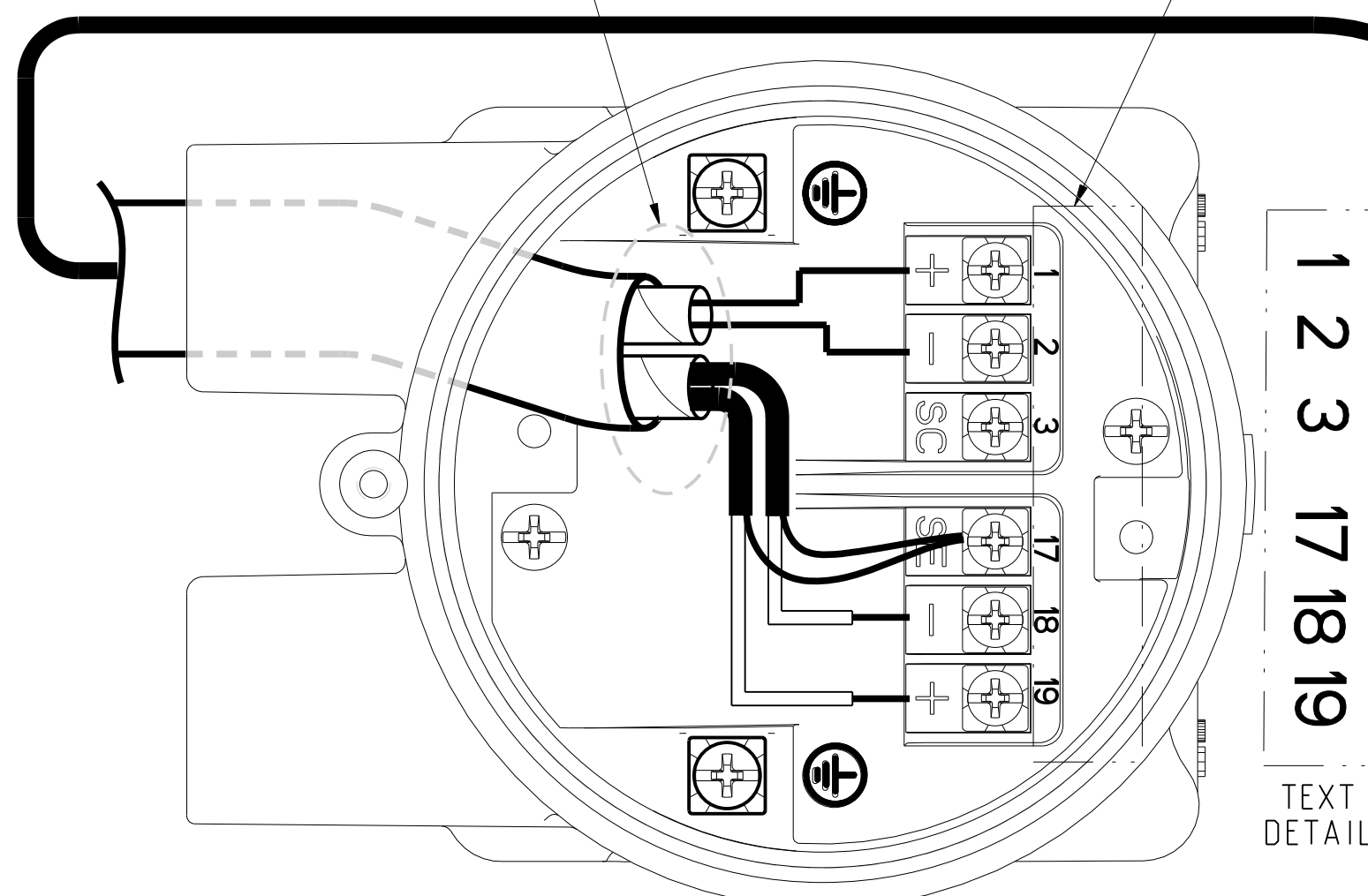
THIS SHEET FOR 8750W REMOTE TRANSMITTER WITH COMBINATION ELECTRODE AND COIL DRIVE CABLE

MODEL 8750W TRANSMITTER

SEE WIRING NOTE FOR DRAIN/SHIELD CONNECTION AT FLOWTUBE

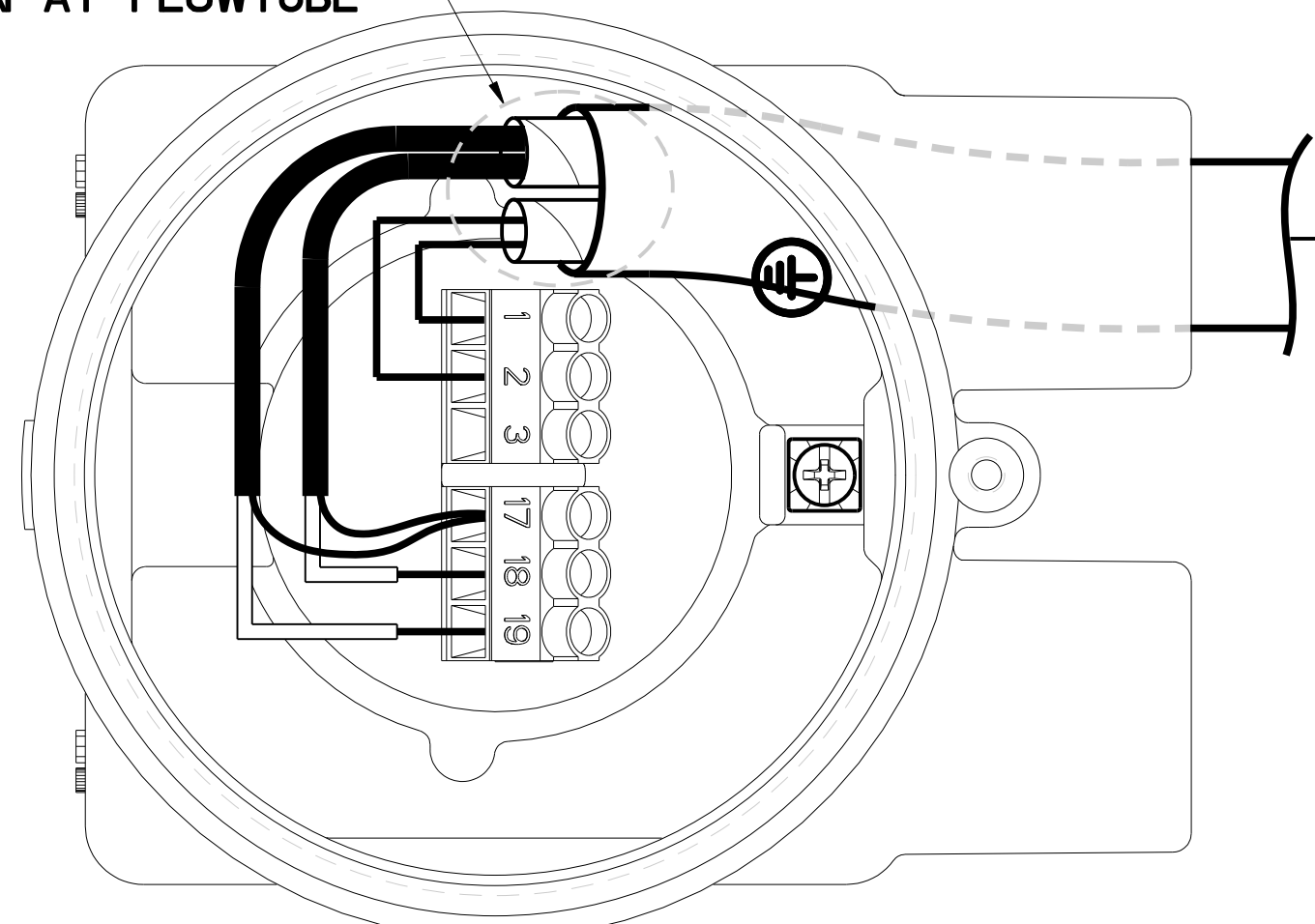
SEE TEXT DETAIL

DRAIN/SHIELD CONNECTED TO TERMINAL 3 (CHASSIS GROUND) ON TRANSMITTER END. SEE DETAIL 'C' FOR COIL WIRE CONSTRUCTION.



MODEL 8750W FLANGED FLOWTUBES

SEE WIRING NOTE FOR DRAIN/SHIELD CONNECTION AT FLOWTUBE



MODEL 8750W WAFER FLOWTUBES

WIRING NOTE

DRAIN/SHIELD OF COIL (SC TERMINAL 3) AND DRAIN/SHIELD OF ELECTRODE WIRING IS NOT CONNECTED ON FLOWTUBE END IN TYPICAL INSTALLATIONS.

AN ADDITIONAL CORRECTLY SIZED SAFETY EARTH CONDUCTOR WILL BE REQUIRED ON INSTALLATIONS REQUIRING SHIELDS GROUNDED TO CHASSIS/EARTH AT BOTH ENDS OF THE REMOTE CABLE. THERE MUST BE 1 OHM OR LESS OF RESISTANCE AT EACH END OF THE SAFETY GROUND AT THE DEVICE WITH RESPECT TO THE EARTH SAFETY GROUND.

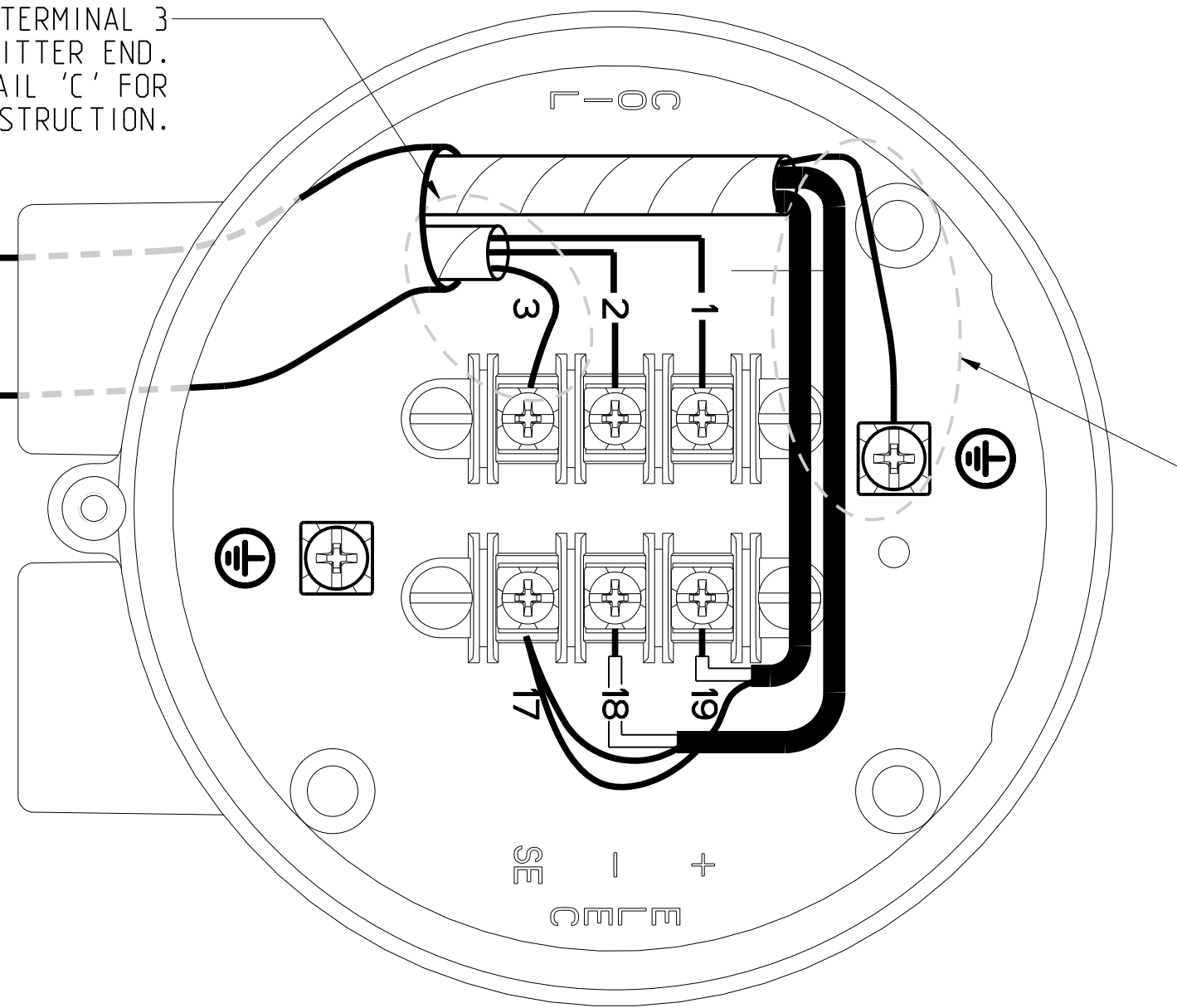
SEE DETAIL "C" FOR WIRE CONSTRUCTION

8732EM WIRING DIAGRAM

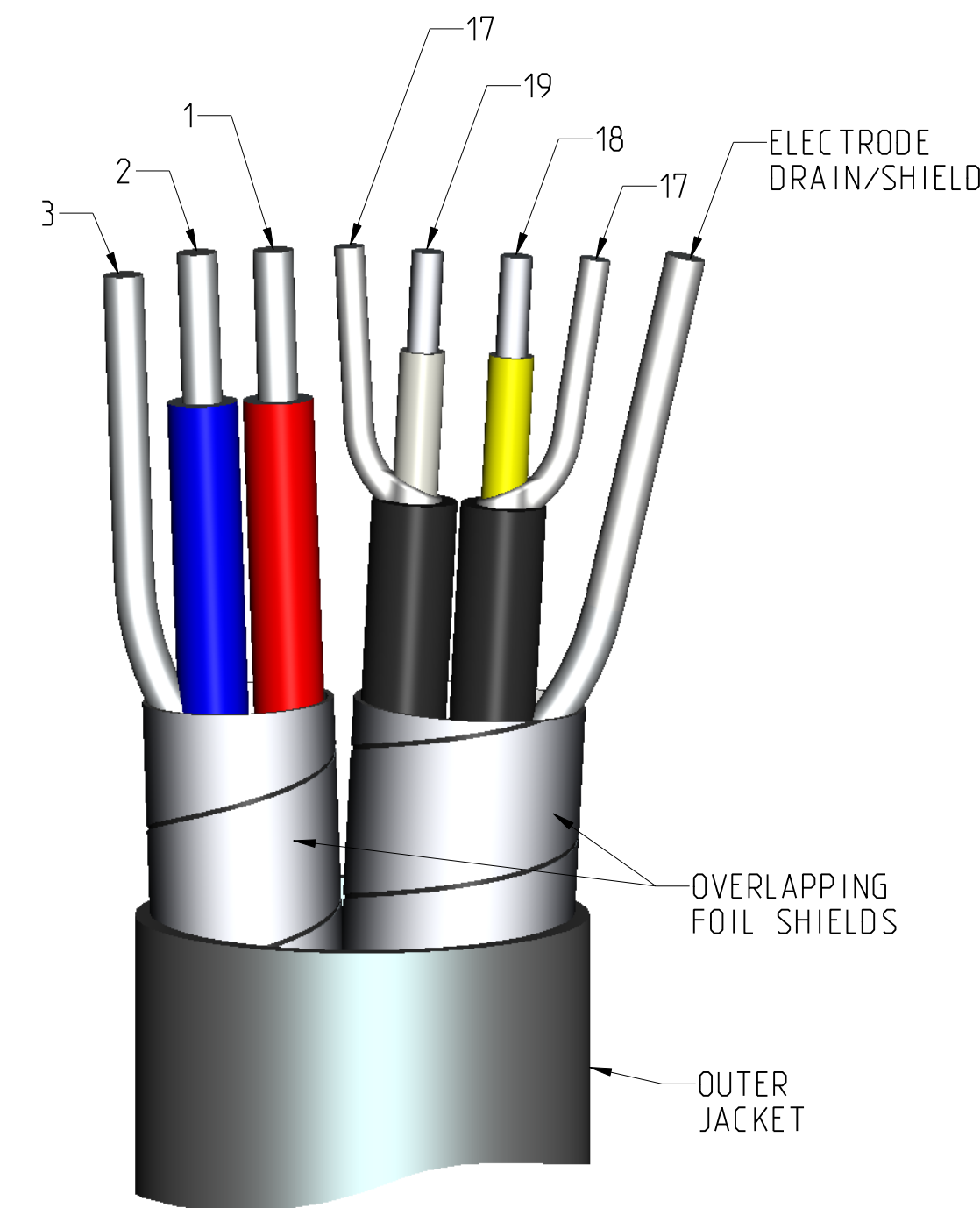
TERMINAL	DESCRIPTION
1	ANALOG
2	ANALOG
3	PULSE (-)
4	PULSE (+)
5	DI/DO 1 (-)
6	DI/DO 1 (+)
7	DI/DO 2 (-)
8	DI/DO 2 (+)
9	DC (-), AC N/L2
10	DC (+), AC L1

INTERNAL POWER
TERMINAL 1(+)
TERMINAL 2(-)
EXTERNAL POWER
TERMINAL 1(-)
TERMINAL 2(+)

ANALOG 4-20 mA



ELECTRODE DRAIN/SHIELD CONNECTED TO CHASSIS GROUND ON TRANSMITTER END. SEE DETAIL 'C' FOR ELECTRODE WIRE CONSTRUCTION.



DETAIL "C"

TERMINAL NUMBER AND CONDUCTOR INSULATOR WIRE COLOR

ROSEMOUNT COMBINATION COIL/ELECTRODE CABLE COLOR CODING PART NUMBERS

- STANDARD 08732-0065-2001⁽¹⁾ (FEET)
- STANDARD 08732-0065-2002⁽¹⁾ (METERS)
- SUBMERSIBLE 08732-0065-3001⁽²⁾ (FEET)
- SUBMERSIBLE 08732-0065-3002⁽²⁾ (METERS)

19	WHITE
18	YELLOW
17	BLACK
-	DRAIN (ELECTRODE SHIELD)
1	RED
2	BLUE
3	DRAIN (COIL SHIELD)

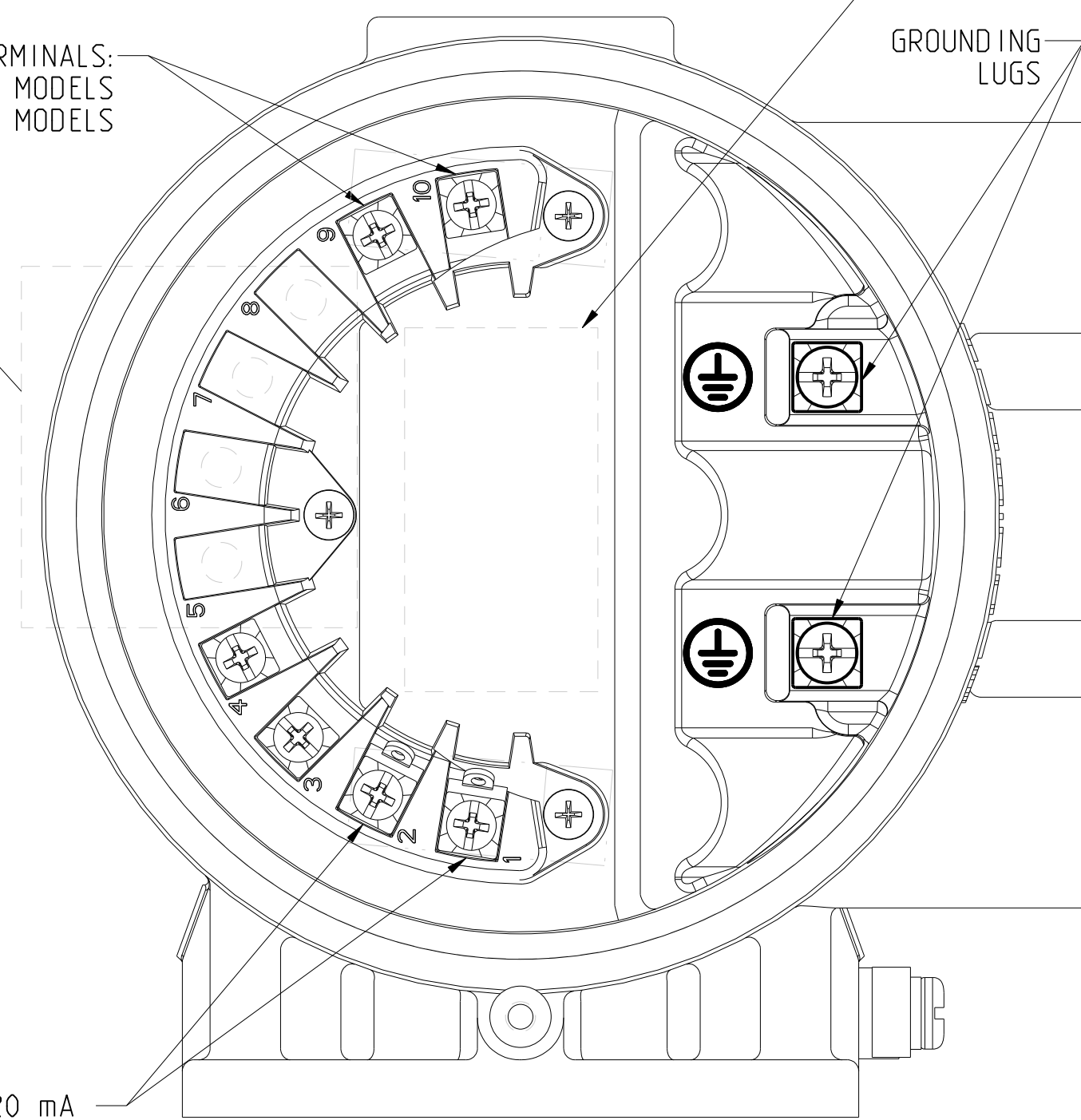
NOTES:
JACKET COLOR/TEMPERATURE RATING
(1) GRAY - RATED -20°C TO 80°C
(2) BLACK - RATED -20°C TO 80°C DRY
60°C WET (SUBMERGED)

POWER INPUT TERMINALS:
90-250 VAC RMS FOR AC POWER MODELS
12-42 VDC FOR DC POWER MODELS

OPTIONAL DIGITAL INPUT DIGITAL OUTPUT (DI/DO)

AC/DC WARNING LABEL

GROUNDING LUGS



8750W TRANSMITTER OUTPUT AND POWER WIRING

CONFIDENTIAL AND PROPRIETARY INFORMATION IS CONTAINED HEREIN AND MUST BE HANDLED ACCORDINGLY. ROSEMOUNT

EMERSON
Market Boulevard - Chanhassen, MN 55317 USA

ROSEMOUNT
TITLE: INSTALLATION DRAWING, 8750W TRANSMITTER WIRING

DR. N. BOND 10-30-16 DRAWING NO. 8750W-1504

APP'D N. MORALES 2-3-15

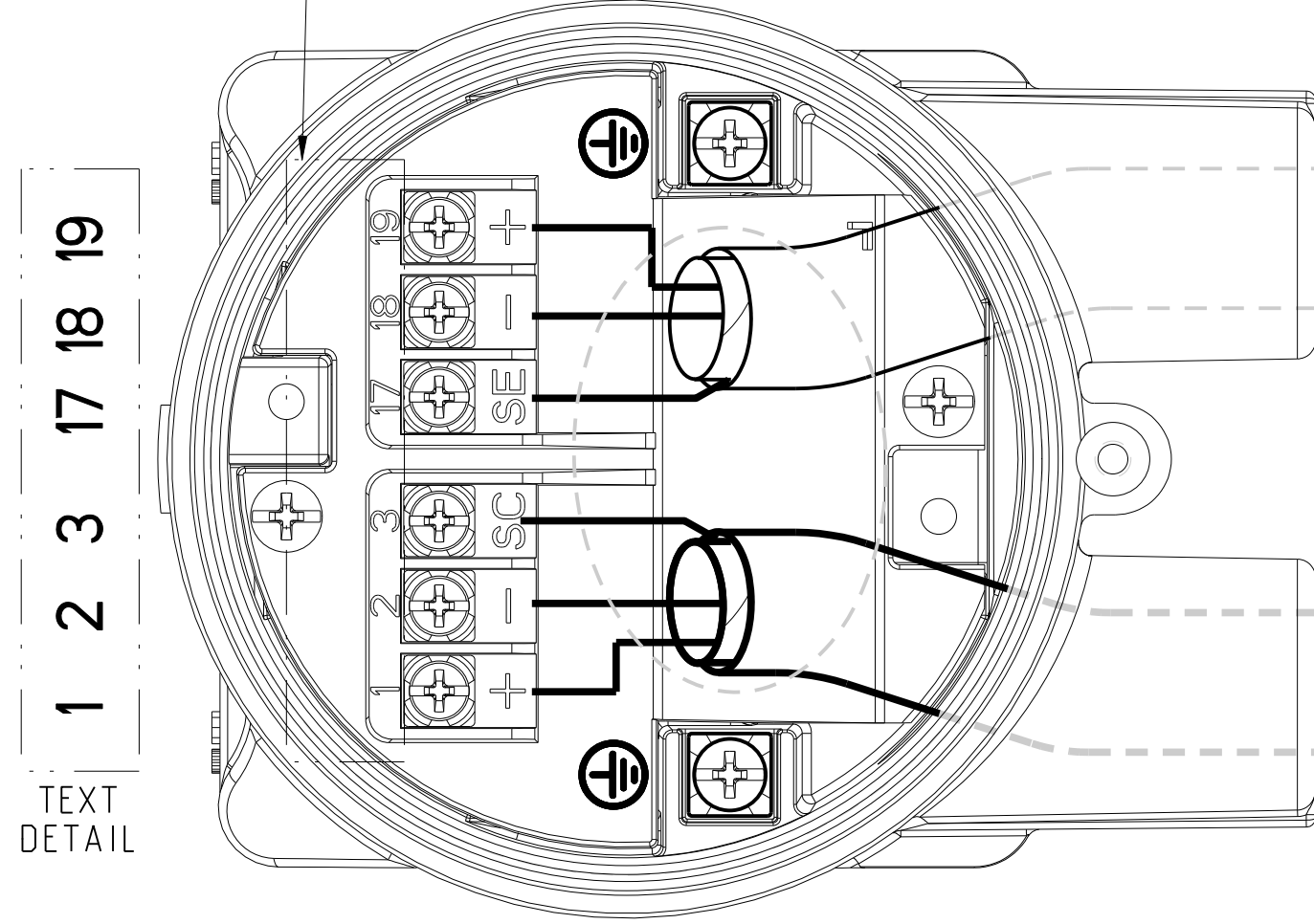
DO NOT SCALE PRINT | CAD MAINTAINED, (PROJ) PRODUCT CODE | DOC TYPE | SHEET 2 OF 4

DRAWING NO. 8750W-1504

THIS SHEET
FOR 8750W TRANSMITTER WITH
COMPONENT CABLES

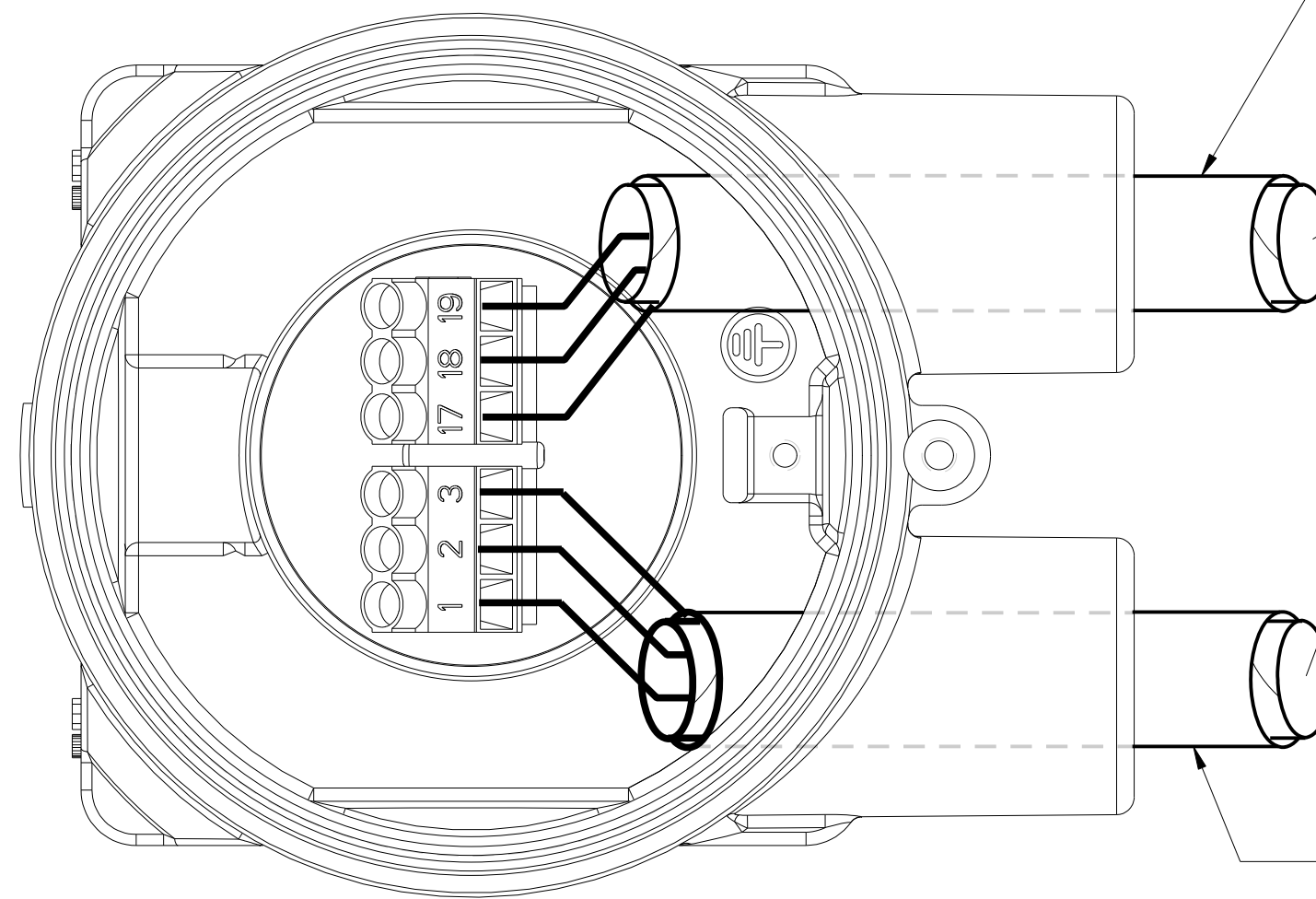
MODEL 8750W
TERMINAL BLOCK

SEE TEXT DETAIL



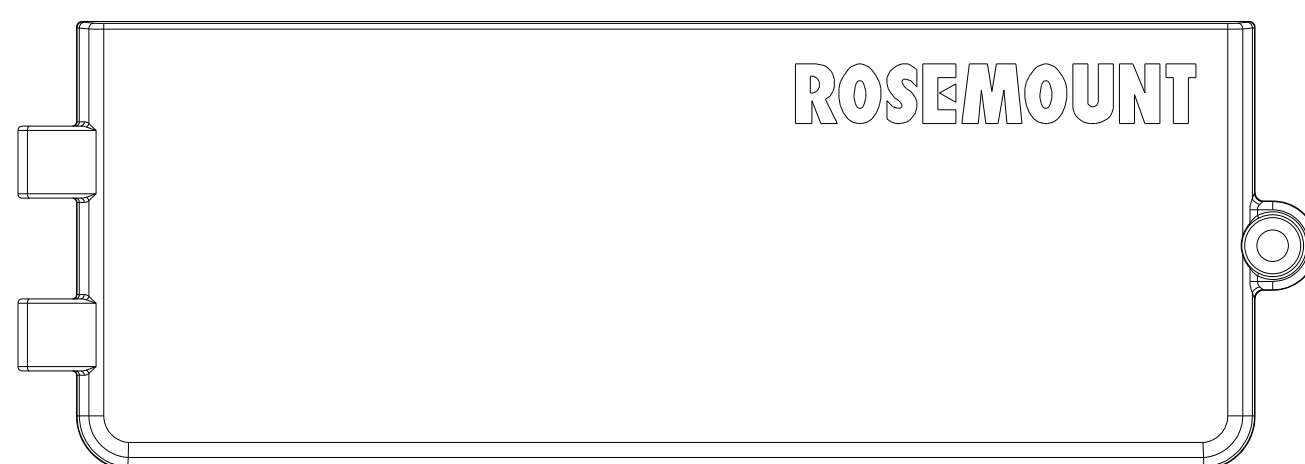
MODEL 8750W FLANGED
FLOWTUBE

SEE DETAIL "A"



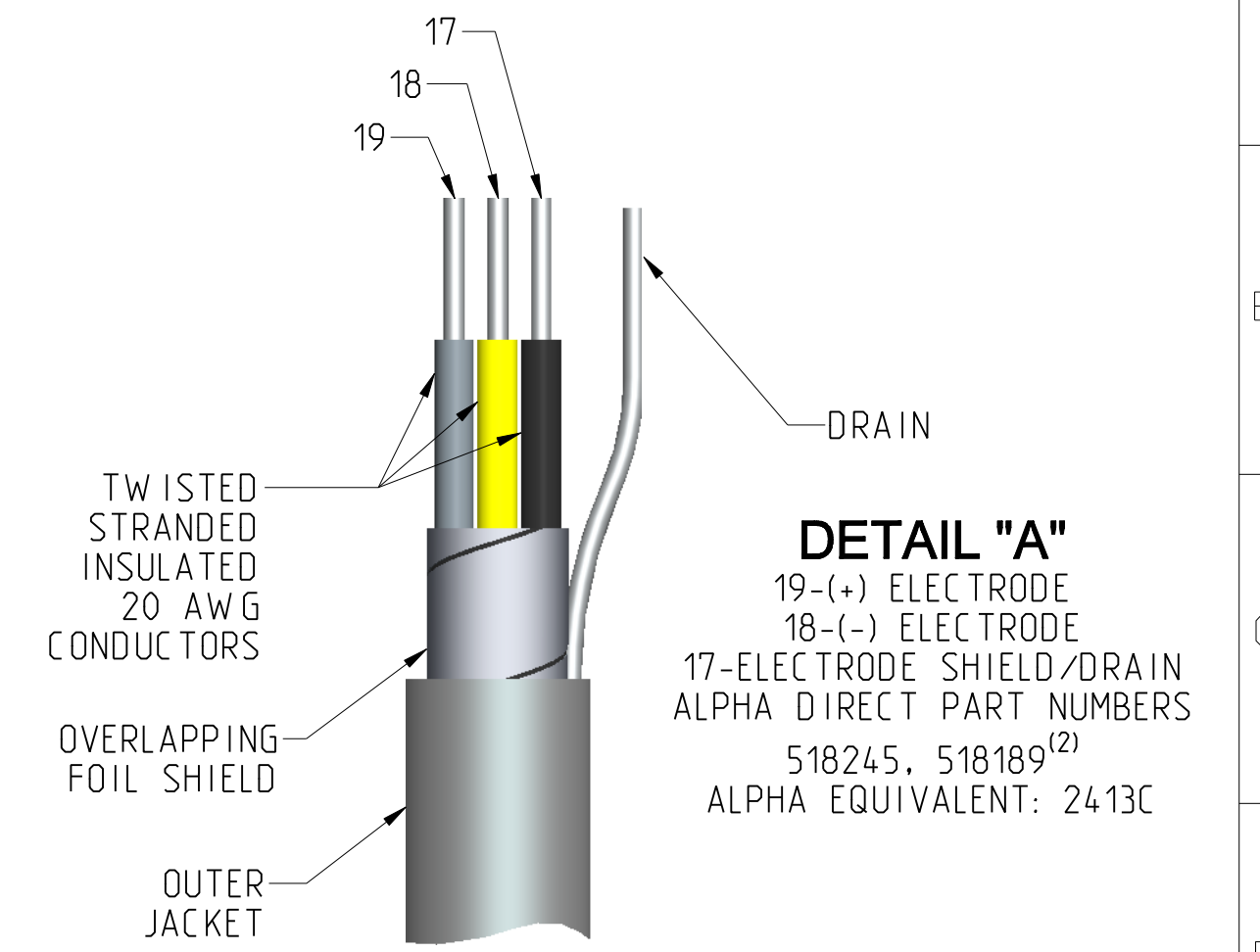
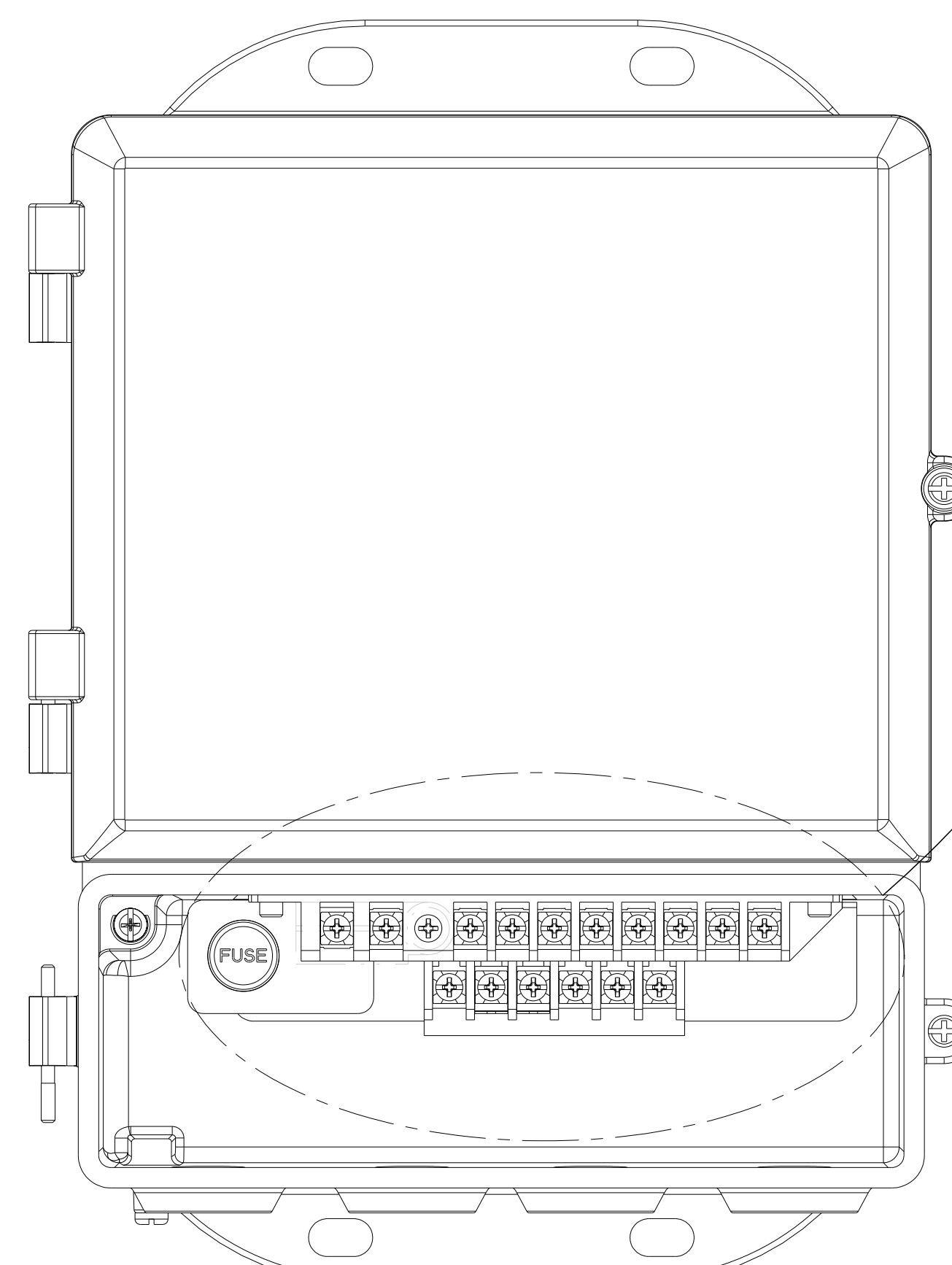
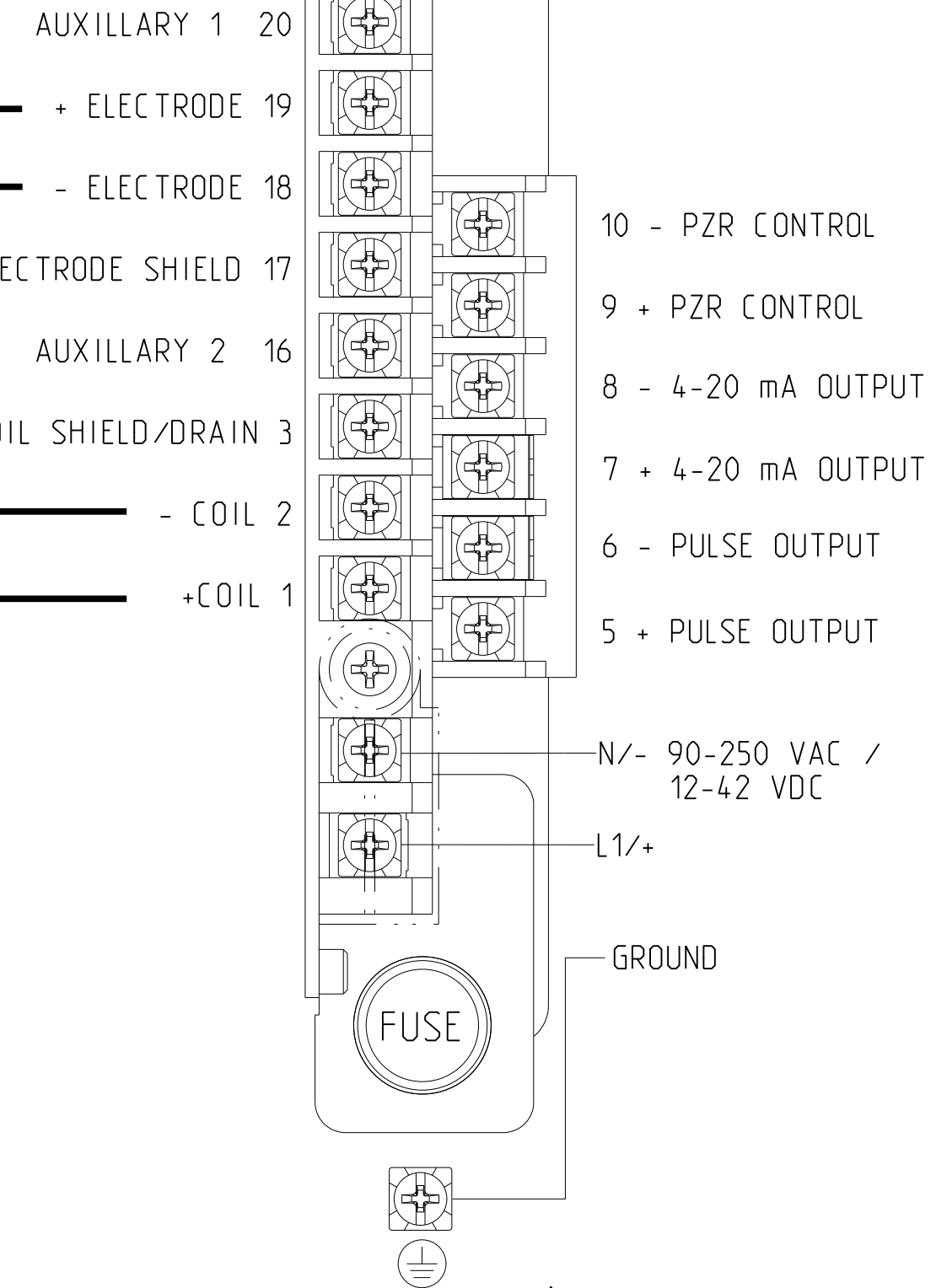
MODEL 8750W WAFER
FLOWTUBE

SEE DETAIL "B"

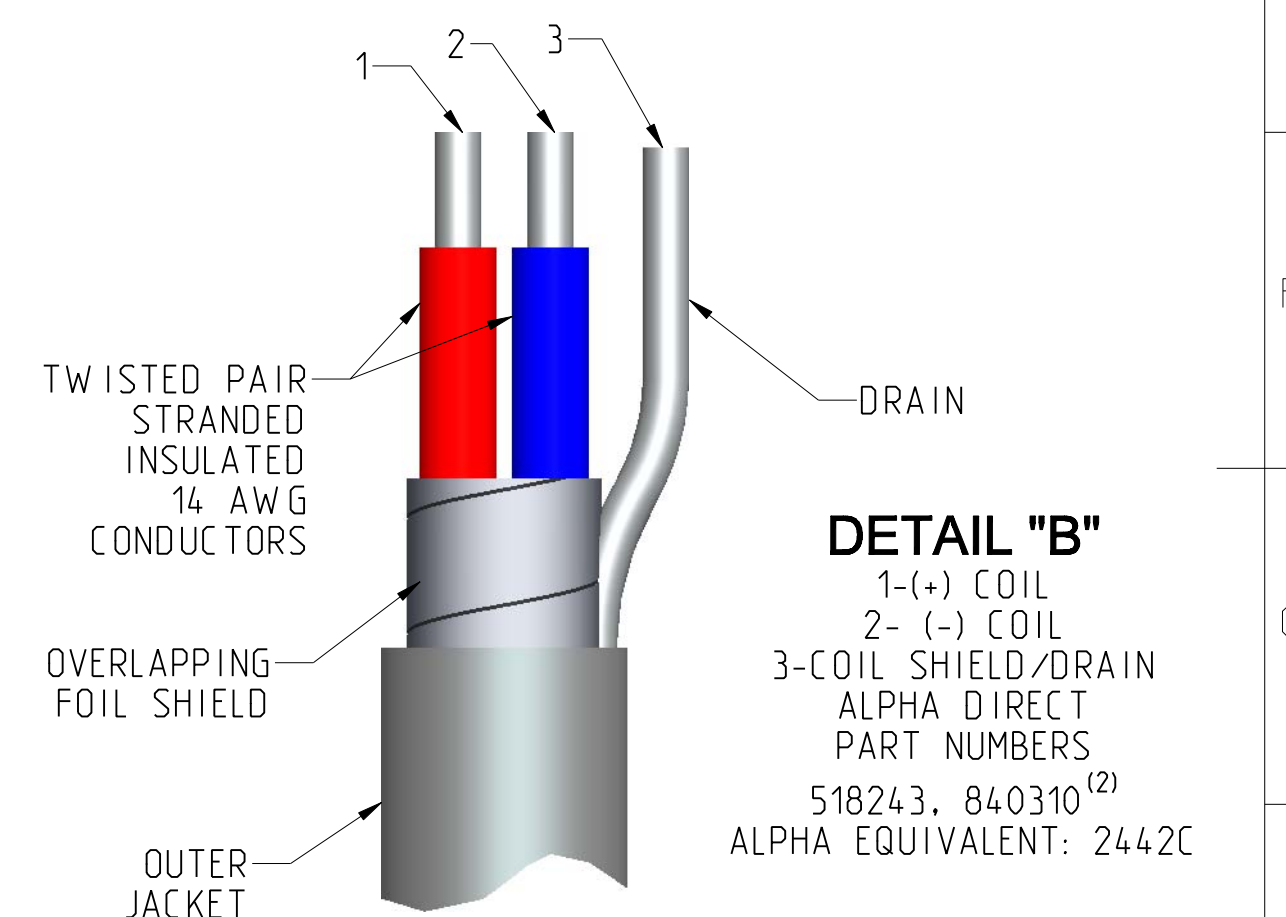


SEE DETAIL "A"

SEE DETAIL "B"



DETAIL "A"
19-(+) ELECTRODE
18-(-) ELECTRODE
17-ELECTRODE SHIELD/DRAIN
ALPHA DIRECT PART NUMBERS
518245, 518189⁽²⁾
ALPHA EQUIVALENT: 2413C



DETAIL "B"
1-(+) COIL
2-(-) COIL
3-COIL SHIELD/DRAIN
ALPHA DIRECT
PART NUMBERS
518243, 840310⁽²⁾
ALPHA EQUIVALENT: 2442C

ROSEMOUNT CABLING KITS 08732-0065-XXXX	ALPHA PART NUMBERS 518245, 518189 ⁽²⁾	ALPHA PART NUMBERS 518243, 840310 ⁽²⁾
19 WHITE	19 WHITE	
18 YELLOW	18 YELLOW	
17 BLACK	17 BLACK	
1 RED	-	1 RED
2 BLUE	-	2 BLUE
3 DRAIN (SHIELD)	-	3 DRAIN (SHIELD)

NOTES:
STANDARD TEMPERATURE: RATED (-20°C TO 75°C)
(2) EXTENDED TEMPERATURE (RATED -50°C TO 125°C)

CONFIDENTIAL AND PROPRIETARY INFORMATION IS CONTAINED HEREIN AND MUST BE HANDLED ACCORDINGLY. ROSEMOUNT

EMERSON
100 Boulevard - Chanhassen, MN 55317 USA

ROSEMOUNT
INSTALLATION DRAWING
8750W TRANSMITTER WIRING

8750W -1504

REV AC

SCALE 1/1

SIZE D

3RD ANGLE

125/

SURFACE FINISH UNLESS OTHERWISE SPECIFIED

UNLESS OTHERWISE SPECIFIED DIMENSIONS IN INCHES (mm). REMOVE ALL BURRS AND SHARP EDGES.

DEC TOLERANCES-
.X ± .1 (2.5)
.XX ± .02 (0.5)
.XXX ± .010 (0.25)

FRACTIONS ± 1/32

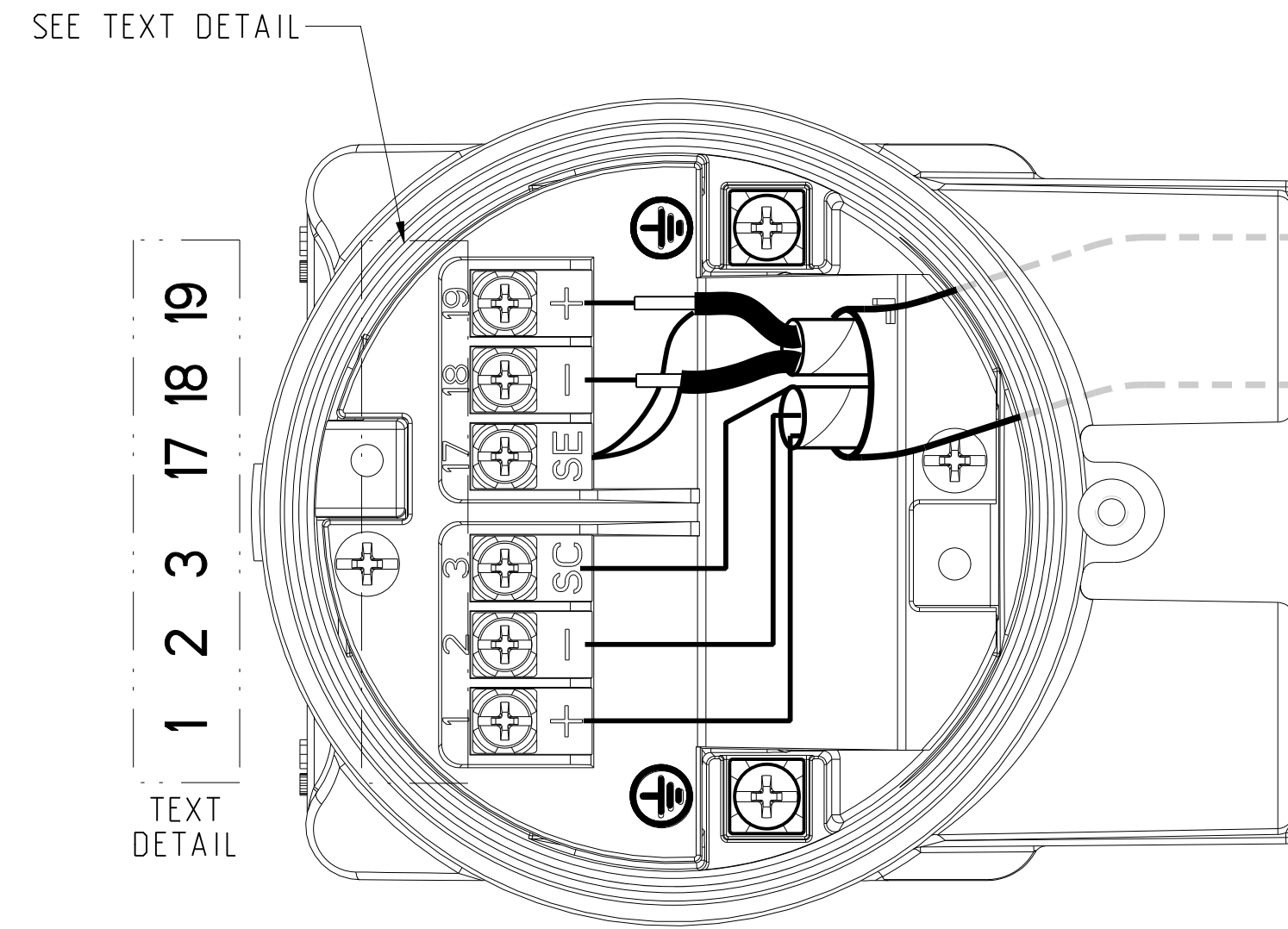
ANGLES ± 2°

DO NOT SCALE PRINT | CAD MAINTAINED. (PROJ) PRODUCT CODE | DOC TYPE | SHEET 3 OF 4

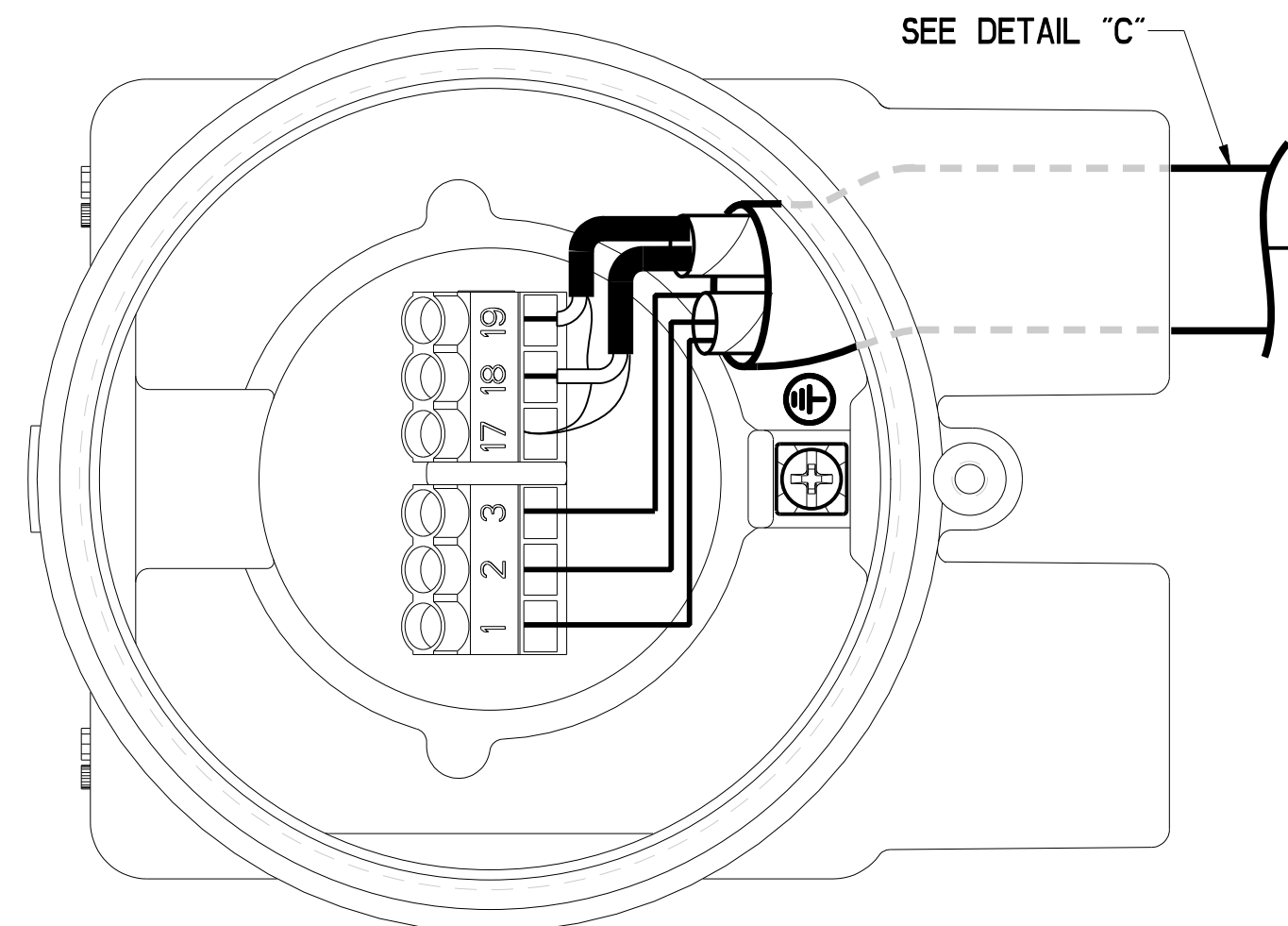
8750W -1504

THIS SHEET
FOR 8750W TRANSMITTER WITH
COMBINATION ELECTRODE AND COIL DRIVE CABLE

MODEL 8750W
TERMINAL BLOCK



MODEL 8750W
FLANGED FLOWTUBES



MODEL 8750W WAFER
FLOWTUBES

SEE DETAIL "C"

- AUXILLARY 1 20
- + ELECTRODE 19
- ELECTRODE 18
- ELECTRODE SHIELD 17
- AUXILLARY 2 16
- COIL SHIELD/DRAIN 3
- COIL 2
- +COIL WHITE 1

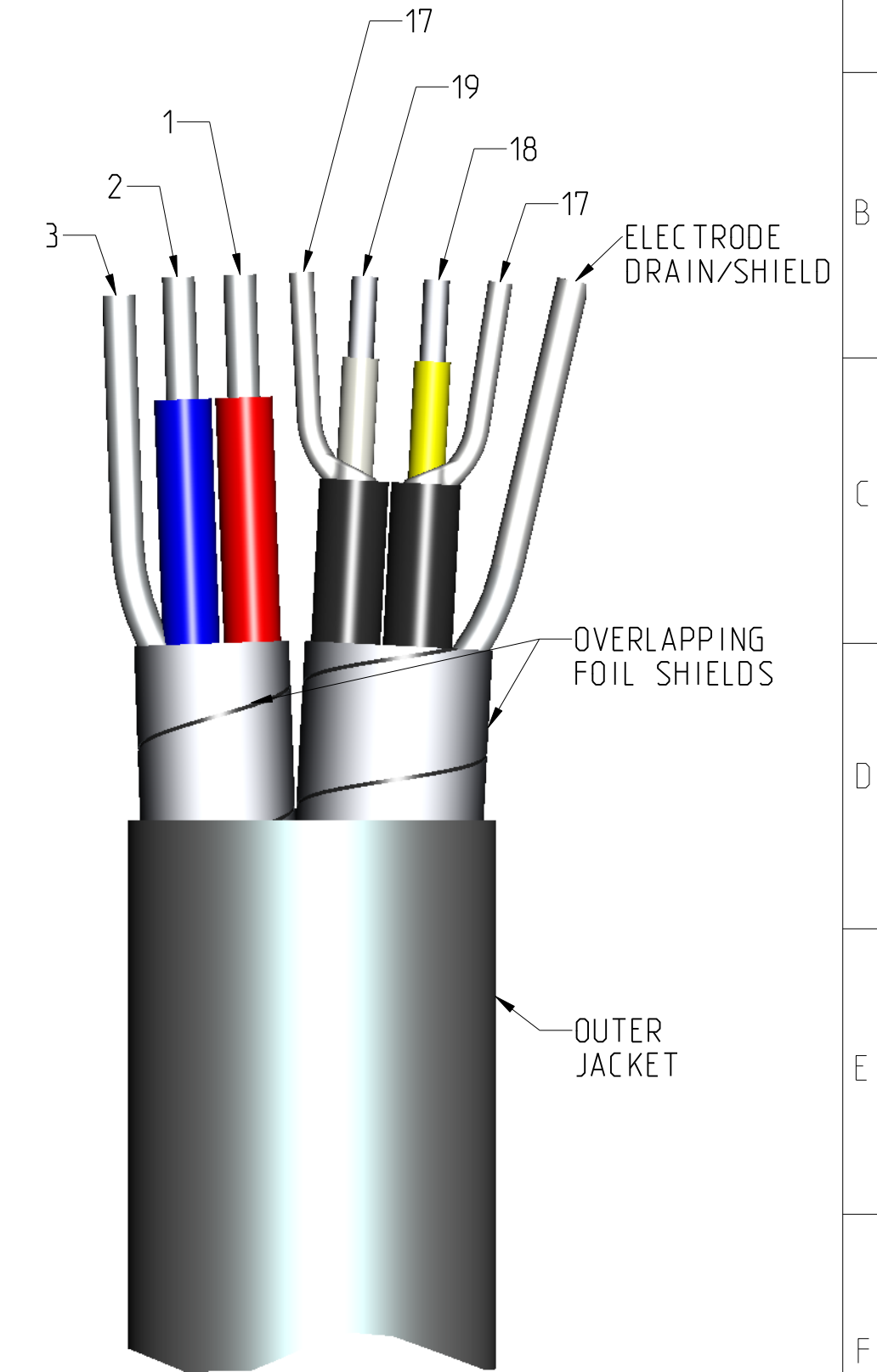
- 10 - PZR CONTROL
- 9 + PZR CONTROL
- 8 - 4-20 mA OUTPUT
- 7 + 4-20 mA OUTPUT
- 6 - PULSE OUTPUT
- 5 + PULSE OUTPUT

N/- 90-250 VAC /
12-42 VDC

L1/+

GROUND

FUSE



DETAIL "C"

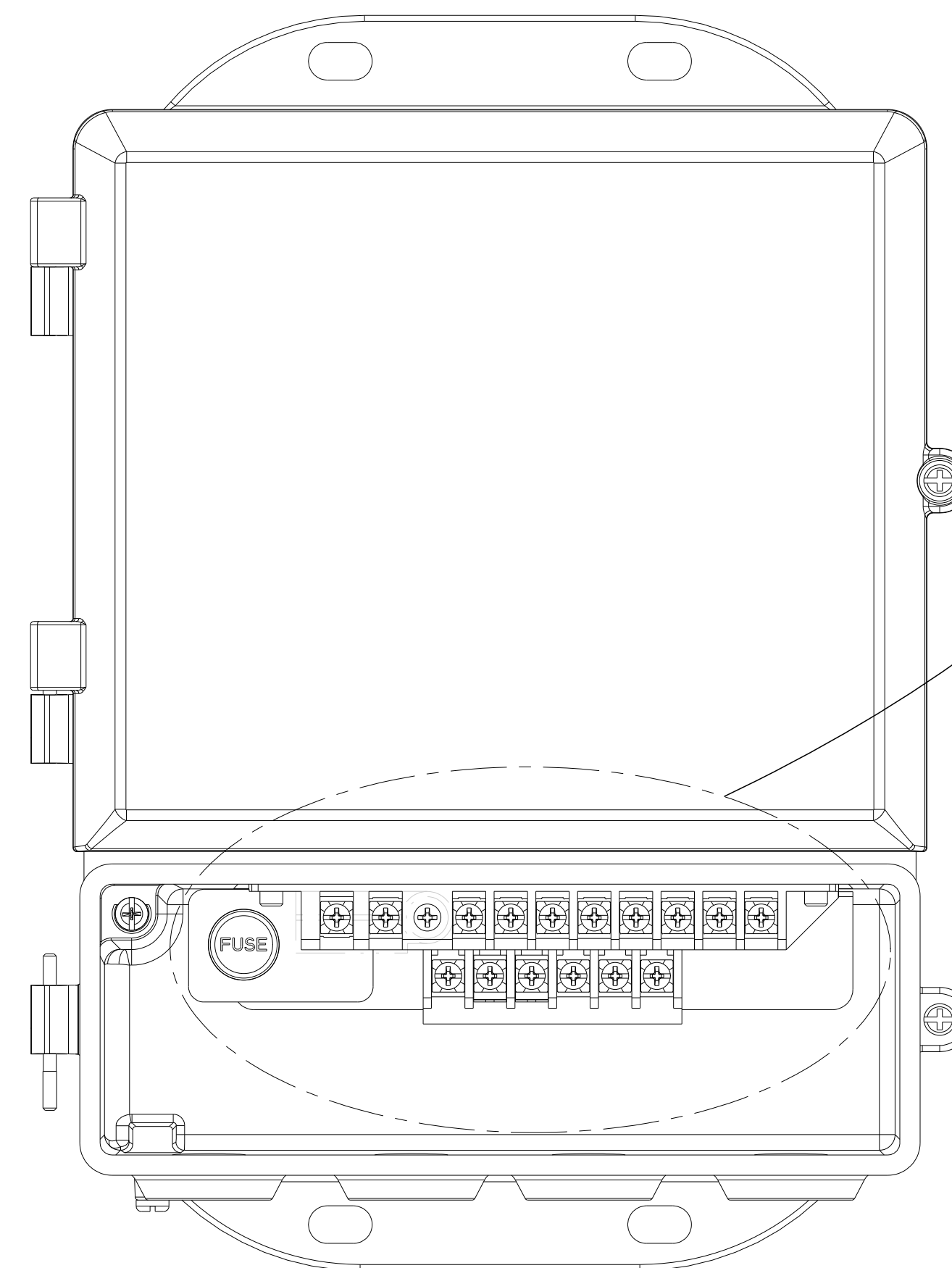
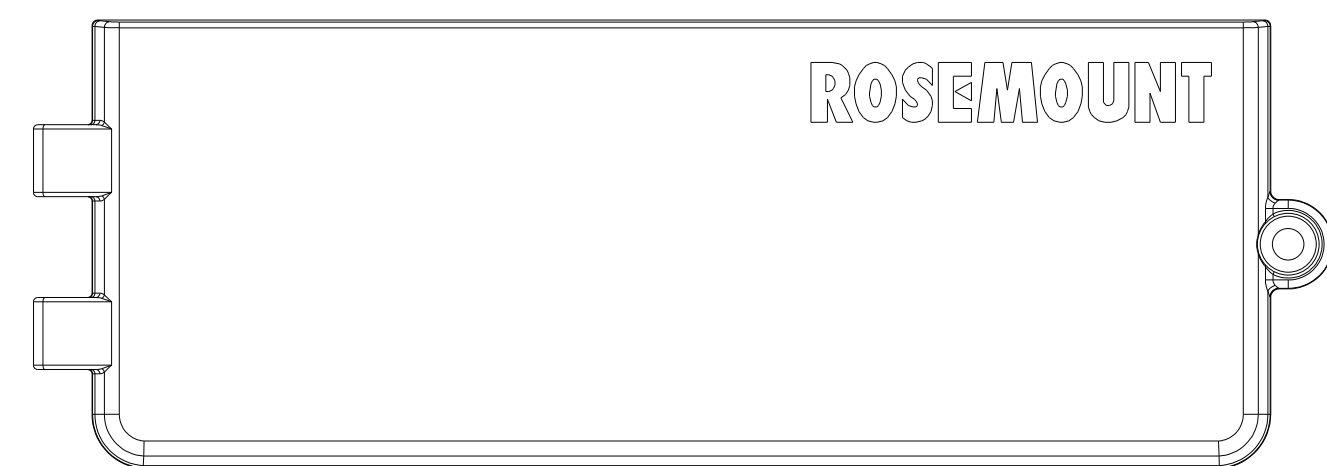
TERMINAL NUMBER AND CONDUCTOR INSULATOR
WIRE COLOR

ROSEMOUNT COMBINATION
COIL/ELECTRODE CABLE COLOR CODING
PART NUMBERS

- STANDARD 08732-0065-2001⁽¹⁾ (FEET)
- STANDARD 08732-0065-2002⁽¹⁾ (METERS)
- SUBMERSIBLE 08732-0065-3001⁽²⁾ (FEET)
- SUBMERSIBLE 08732-0065-3002⁽²⁾ (METERS)

19	WHITE
18	YELLOW
17	BLACK
-	DRAIN (ELECTRODE SHIELD)
1	RED
2	BLUE
3	DRAIN (COIL SHIELD)

NOTES:
JACKET COLOR/TEMPERATURE RATING
(1) GRAY - RATED -20°C TO 80°C
(2) BLACK - RATED -20°C TO 80°C DRY
60°C WET (SUBMERGED)



CONFIDENTIAL AND PROPRIETARY INFORMATION IS CONTAINED HEREIN AND MUST BE HANDLED ACCORDINGLY. ROSEMOUNT	SURFACE FINISH UNLESS OTHERWISE SPECIFIED	125°	3RD ANGLE	SIZE D	SCALE 1/3	REV AC
UNLESS OTHERWISE SPECIFIED DIMENSIONS IN INCHES (mm). REMOVE ALL BURRS AND SHARP EDGES. -DEC TOLERANCES- .X ± .1 (2.5) .XX ± .02 (0.5) .XXX ± .010 (0.25) FRACTIONS ± 1/32 ANGLES ± 2°	<p>ROSEMOUNT EMERSON Market Boulevard - Chanhassen, MN 55317 USA</p> <p>TITLE INSTALLATION DRAWING, 8750W TRANSMITTER WIRING</p> <p>DR. N. BOND 10-30-14 DRAWING NO. APP'D N. MORALES 2-3-15 8750W-1504</p> <p>DO NOT SCALE PRINT CAD MAINTAINED. (PROJ) PRODUCT CODE DOC TYPE SHEET 4 OF 4</p>					

DRAWING NO. 8750W-1504