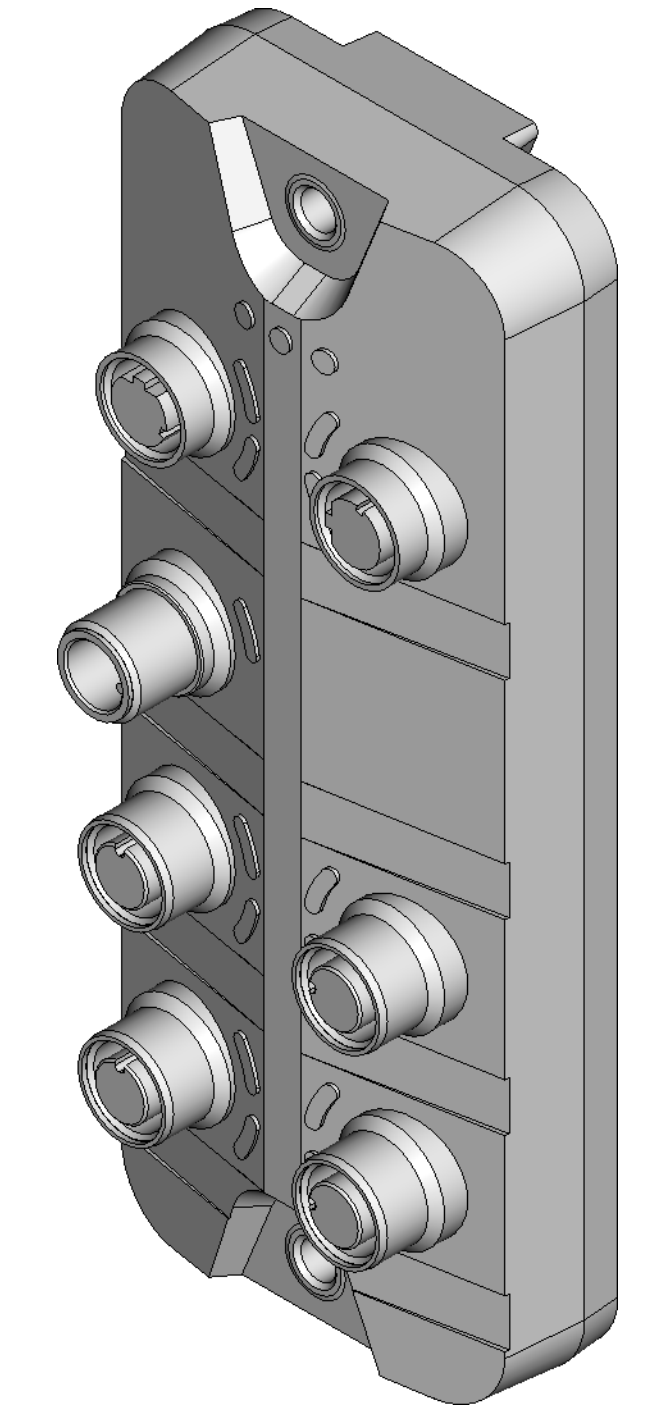
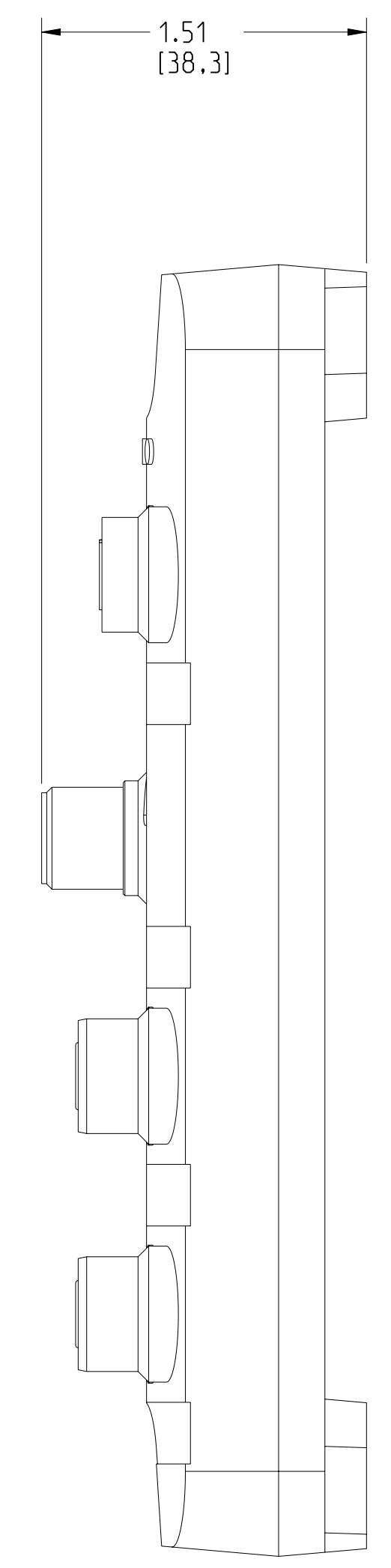
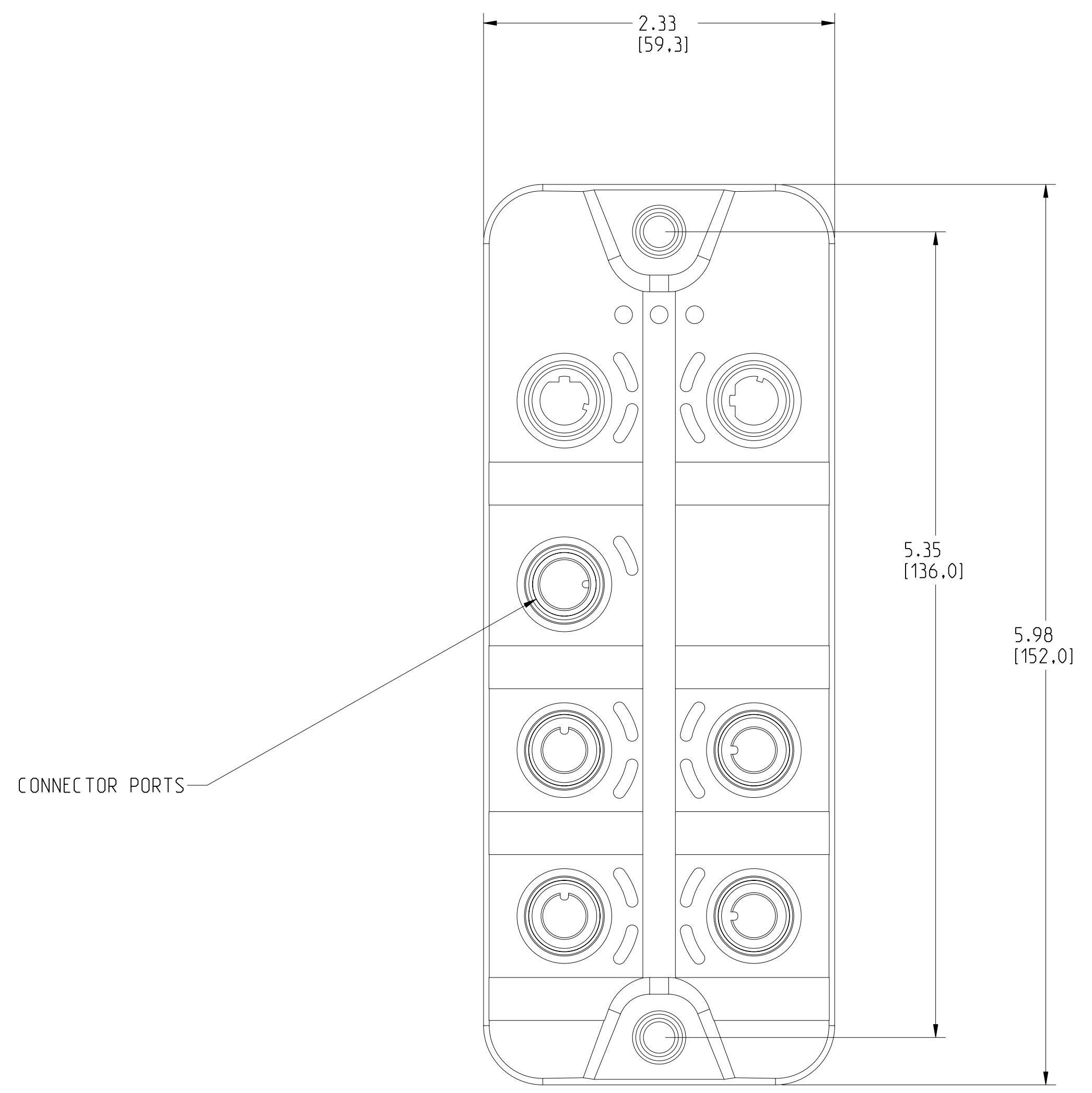


ROSEMOUNT IO-Link MASTERS

4 PORT (FB-5104 & FB-5204)

REVISION TABLE			
REVISION	ECO NO.	APP'D	DATE
AA	RTC1072597	J. FRIESZ	2/19/19
DESCRIPTION			
NEW RELEASE			



©2015 ROSEMOUNT, INC.
ROSEMOUNT INCORPORATES
ROSEMOUNT MASTERS IN
THIS ACCORDANCE WITH
ROSEMOUNT ENGINEERING
SPECIFICATIONS.
UNIT NOTES IN INCHES (mm).

REFERENCE ROSEMOUNT
PRODUCT SHEETS FOR
PRODUCT SPECIFICATIONS.
CLICK HERE

EMERSON

TITLE ROSEMOUNT IO-Link HUBS
TYPE I DRAWING

DR. J. ARMSTRONG 11/19/18 DRAWING NO. OFB50-7000

APP'D J. FRIESZ 11/20/18

CAD MAINTAINED. (PRO/E) SHEET 1 OF 2

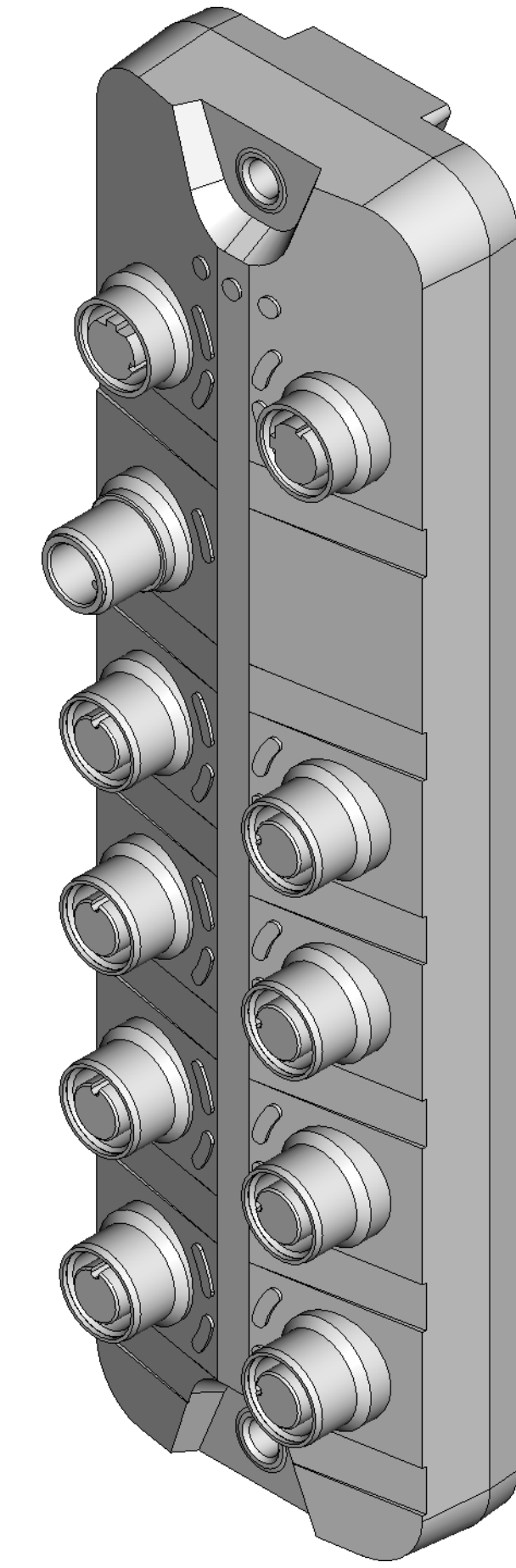
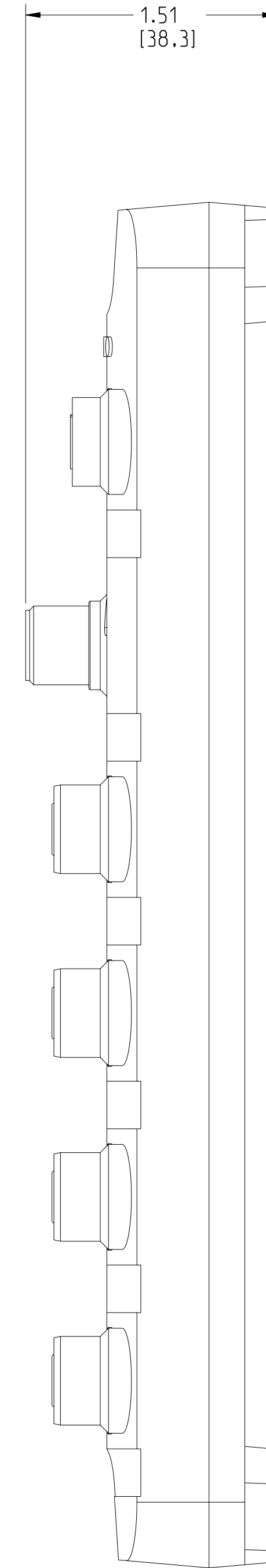
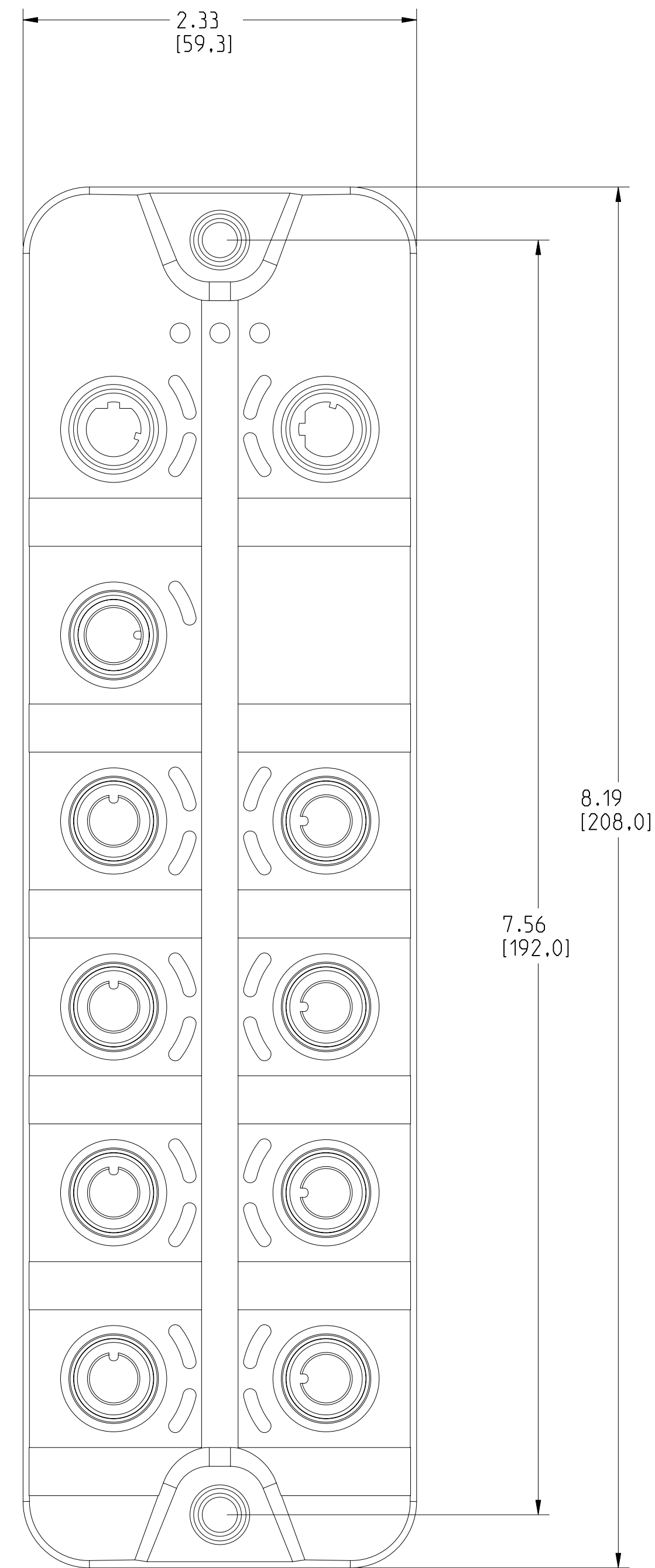
3RD ANGLE

SIZE D

SCALE NTS

ROSEMOUNT IO-Link MASTERS

8 PORT (FB-5108 & FB-5208)



<small>©2015 ROSEMOUNT, INC. ROSEMOUNT INC. EXPRESSLY DISCLAIMS LIABILITY FOR THIS DOCUMENT. THIS DOCUMENT IS NOT TO BE USED FOR ANY APPLICATIONS OTHER THAN THOSE SPECIFICALLY IDENTIFIED IN THE PRODUCT SPECIFICATIONS. CLICK HERE</small>	<small>3RD ANGLE</small> 	<small>SIZE</small> D	<small>SCALE</small> NTS
	TITLE ROSEMOUNT IO-Link HUBS TYPE I DRAWING		
	<small>DR.</small> J. ARMSTRONG <small>11/19/18</small> <small>DRAWING NO.</small>	0FB50-7000	
<small>APP'D</small> J. FRIESZ <small>11/20/18</small>	<small>CAD MAINTAINED. (PRO/E)</small>		
SHEET 2 OF 2			