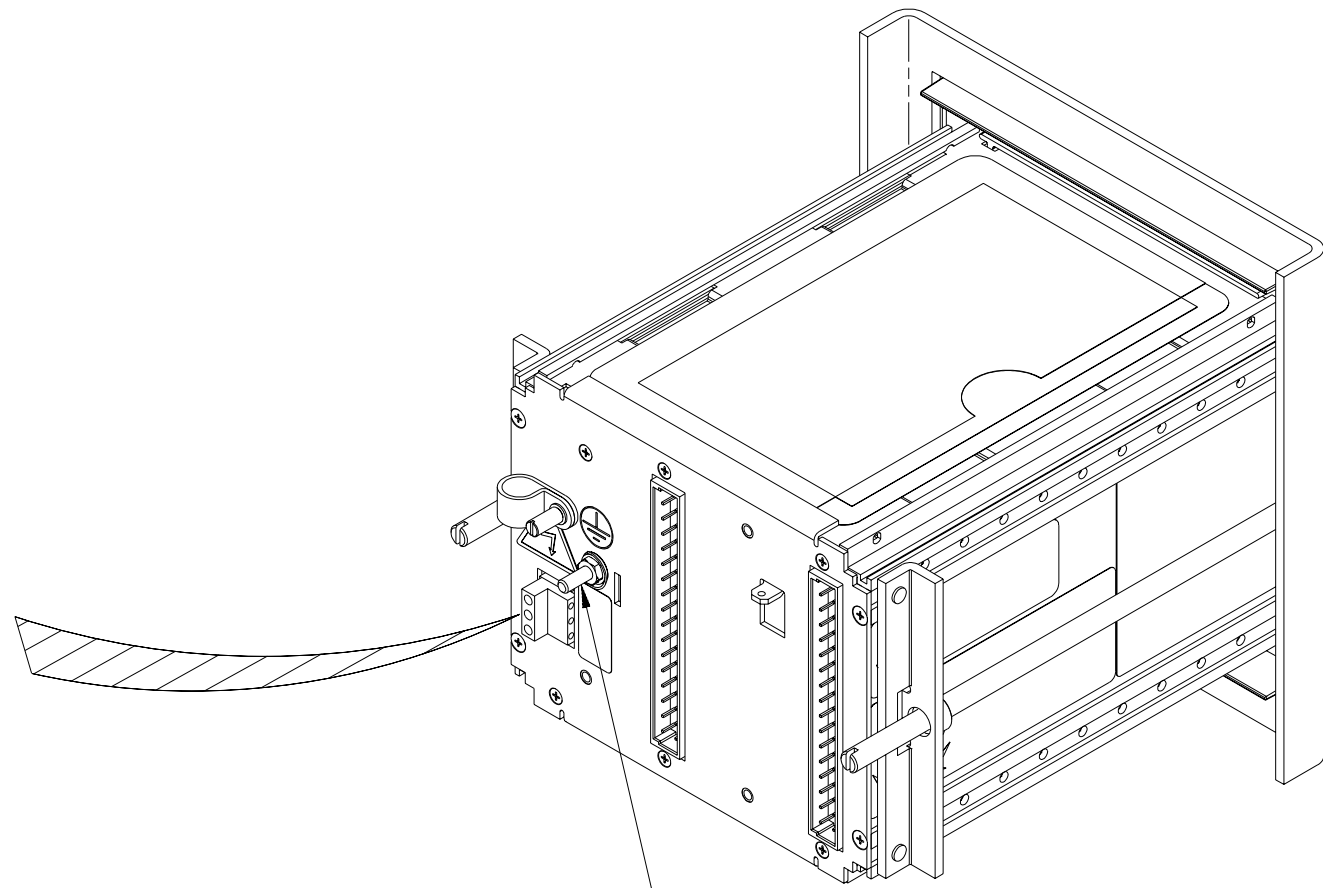


GENERAL NOTES (UNLESS OTHERWISE SPECIFIED)

85-265 V~	18-30 V=
N/L1	-
EQUIPMENT GROUND ⚡	EQUIPMENT GROUND ⚡
L/L2	+



THIS UNIT IS PROVIDED WITH AN EXTERNAL TERMINAL FOR SUPPLEMENTARY BONDING CONNECTION. THIS TERMINAL IS FOR USE WHERE LOCAL CODES OR AUTHORITIES PERMIT OR REQUIRE SUCH CONNECTION.

		MICRO MOTION, INC. BOULDER, COLORADO	
		WIRING, 3300/3500 PWR/GND	
NAME	DATE	SIZE	DWG. NO.
DRAWN RDD	2/24/99	D	EW-3300918
CHKD. CBM	2/26/99	SCALE N/A	DO NOT SCALE DRAWING
APVD. CBM	2/26/99	SHEET 1	OF 1

COPYRIGHT 1999 MICRO MOTION, INC.
ALL RIGHTS RESERVED