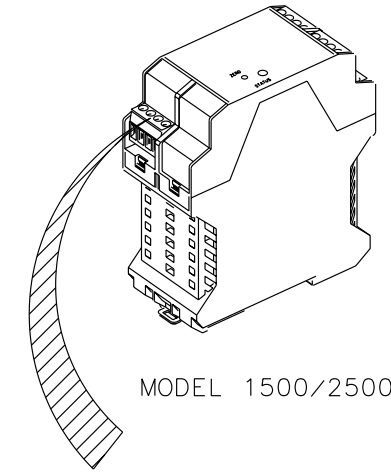


REVISIONS						
REV	ECN	DESCRIPTION OF CHANGE	DRAWN	CHKD	APVD	DATE

GENERAL NOTES (UNLESS OTHERWISE SPECIFIED)

Transmitter:

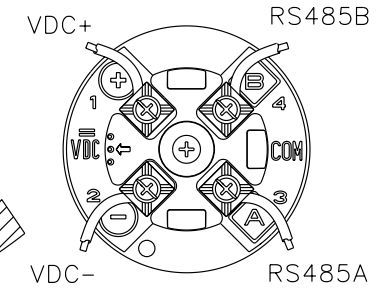
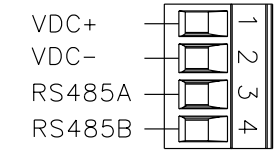
1500B
2500B



MODEL 1500/2500

4-WIRE IS Cable
1000 ft [300 m]
(maximum cable length)

CUSTOMER SUPPLIED CABLE
MAXIMUM LENGTH:
1000 ft (300m) OF 18 AWG(0.8 mm²)
300 ft (100m) OF 22 AWG(0.35 mm²)

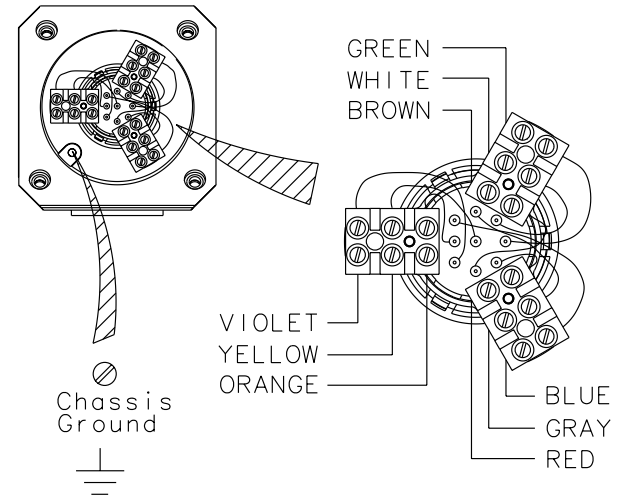


9-WIRE Remote Core Processor
(supplied with transmitter)

J-Box Terminals:

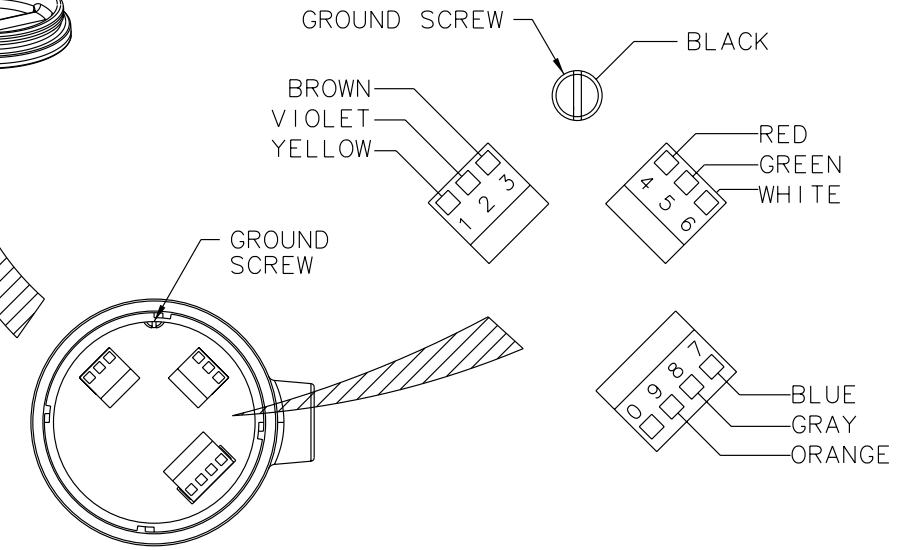
Sensor Type:
DS600S****M

Sensor Junction Box



9-WIRE IS Cable
60 ft [18 m]
(maximum cable length)

NOTE:
Prepare IS Cable per the
instructions provided with
the cable.



VALID FOR APPROVAL CODES:
- Micro Motion Standard General Purpose

ITEM	DESCRIPTION	PART OR REF. NO.	MATL. OR MFR.	QTY.
			MICRO MOTION, INC. BOULDER, COLORADO	
	THIRD ANGLE PROJECTION			
			WIRING, DS600 JBOX TO 1500B/2500B	
DRAWN	NAME	DATE	SIZE	DWG. NO.
CHKD.	JLA	6/3/03	D	EW-20001166
APVD.	JLA	6/3/03	SCALE NONE	DO NOT SCALE DRAWING SHEET 1 OF 1

COPYRIGHT 2004 MICRO MOTION, INC.
ALL RIGHTS RESERVED